



US00D857857S

(12) **United States Design Patent**
Lee et al.

(10) **Patent No.:** **US D857,857 S**

(45) **Date of Patent:** **** *Aug. 27, 2019**

(54) **PIPE CONNECTING TUBE**

(71) Applicants: **PPI PYUNGWHA CO., LTD.**,
Hwaseong-si, Gyeonggi-do (KR); **PPI AMERICA INC.**, Chicago, IL (US)

(72) Inventors: **Jong-Tae Lee**, Seoul (KR); **Kiwoong Hwang**, Yangju-si (KR)

(73) Assignees: **PPI PYUNGWHA CO., LTD.**,
Hwaseong-si (KR); **PPI AMERICA INC.**, Chicago, IL (US)

(*) Notice: This patent is subject to a terminal disclaimer.

(**) Term: **15 Years**

(21) Appl. No.: **29/640,246**

(22) Filed: **Mar. 13, 2018**

(30) **Foreign Application Priority Data**

Oct. 17, 2017 (KR) 30-2017-0048139

(51) **LOC (12) Cl.** **23-01**

(52) **U.S. Cl.**
USPC **D23/263; D23/266**

(58) **Field of Classification Search**
USPC D24/110.1, 110.4–110.6, 129; D23/259, D23/262–263, 265–266; 285/132.1, 285/133.11, 179, 179.1, 179.2, 125.1
CPC F16L 43/001; F16L 43/002; F16L 43/008; F16L 21/005; F16L 21/002; F16L 21/08; F16L 21/06; F16L 21/04; F16L 9/22

See application file for complete search history.

(56) **References Cited**

U.S. PATENT DOCUMENTS

D291,481 S *	8/1987	Vassallo	D23/263
D482,103 S *	11/2003	Snyder, Sr.	D23/263
D523,123 S *	6/2006	Wilk, Jr.	D23/262
D586,433 S *	2/2009	Price	D23/259
D615,631 S *	5/2010	Price	D23/263
D676,941 S *	2/2013	Kluss	D23/262
D681,191 S *	4/2013	Shick	D24/110.1
D727,472 S *	4/2015	Bednarz	D23/263
D733,266 S *	6/2015	Bednarz	D23/263
D738,472 S *	9/2015	Bednarz	D23/263
D739,508 S *	9/2015	Menno	D23/263
D739,509 S *	9/2015	Bazemore	D23/263
D832,985 S *	11/2018	Lee	D23/263

* cited by examiner

Primary Examiner — Eric L Goodman

Assistant Examiner — Amy C Wierenga

(74) *Attorney, Agent, or Firm* — Sughrue Mion, PLLC

(57) **CLAIM**

The ornamental design for a pipe connecting tube, as shown and described.

DESCRIPTION

FIG. 1 is a perspective view of a pipe connecting tube showing our new design;

FIG. 2 is a front view of the pipe connecting tube;

FIG. 3 is a rear view of the pipe connecting tube;

FIG. 4 is a left-side view of the pipe connecting tube;

FIG. 5 is a right-side view of the pipe connecting tube;

FIG. 6 is a top plan view of the pipe connecting tube;

FIG. 7 is a bottom view of the pipe connecting tube; and,

FIG. 8 is an exploded perspective view of the pipe connecting tube which includes a cap, a sealing, and a main body.

1 Claim, 8 Drawing Sheets

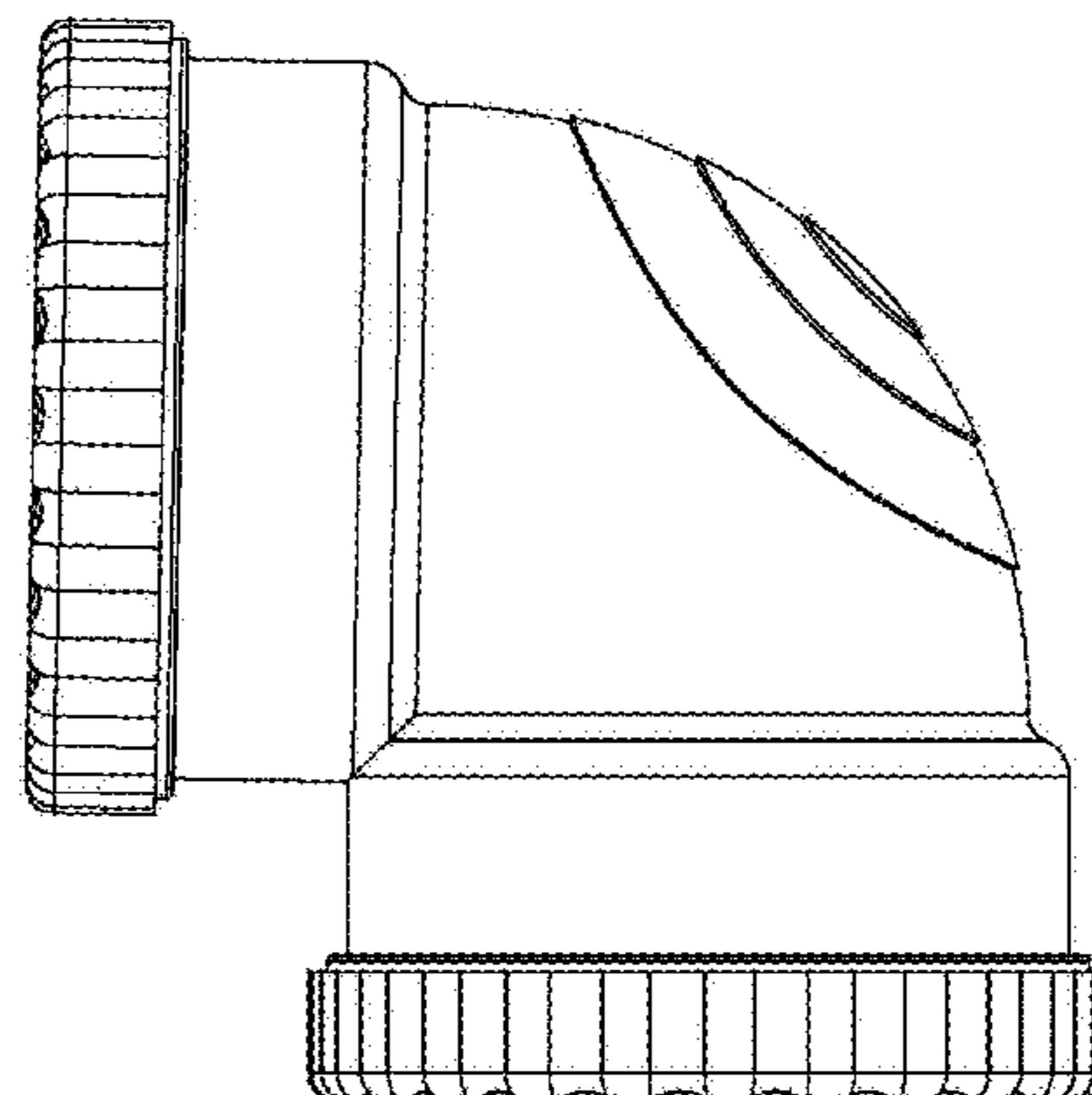
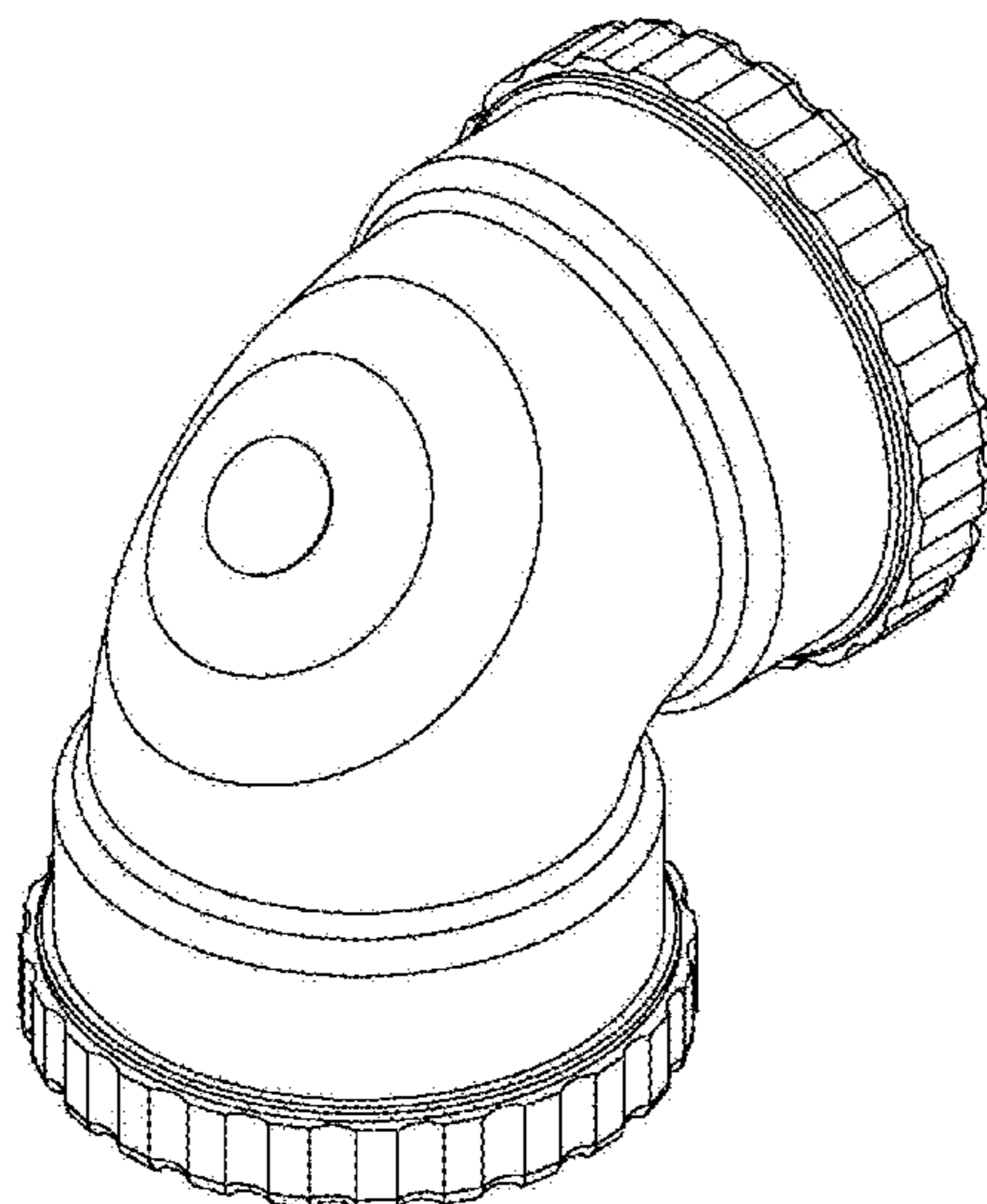


FIG. 1

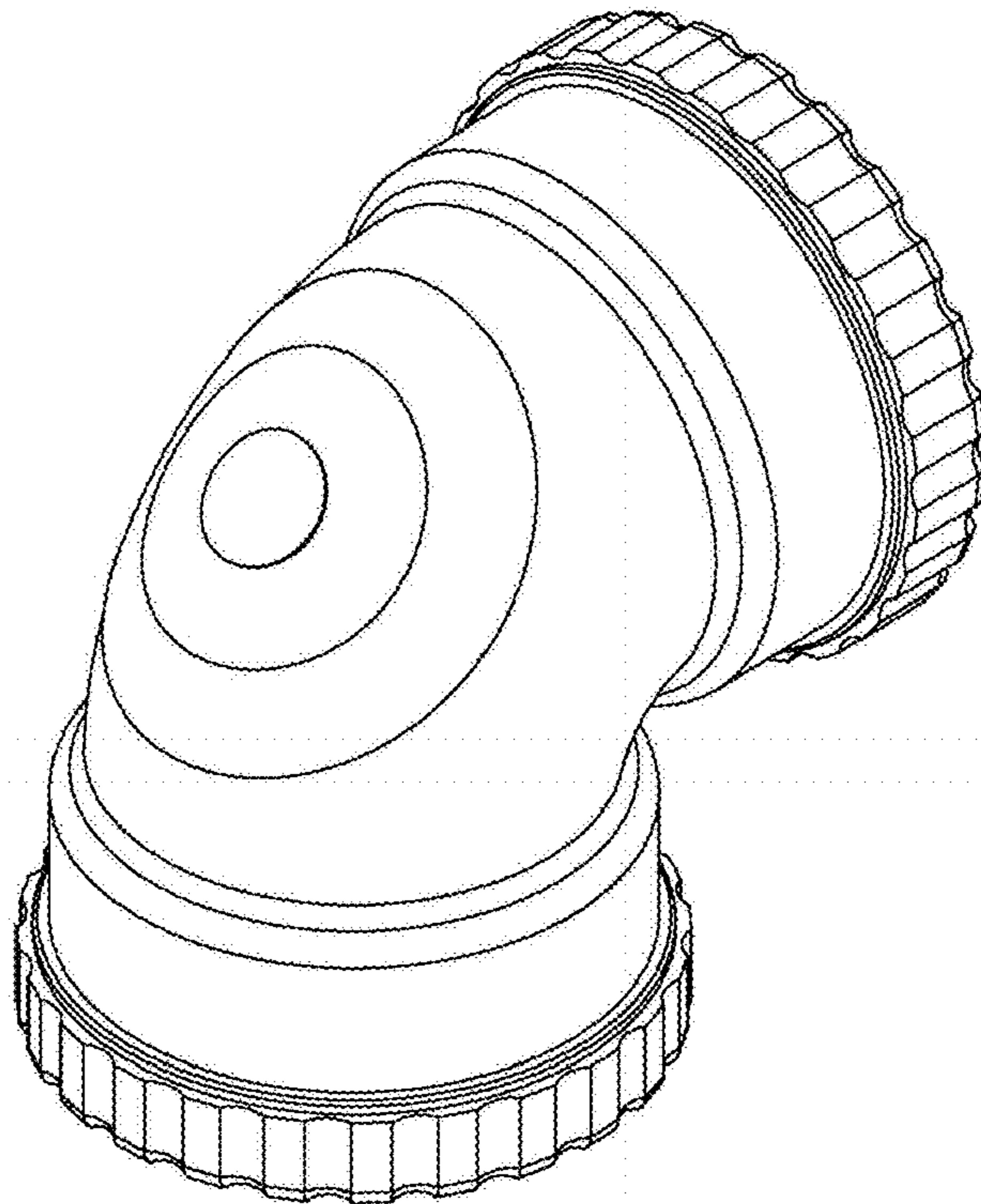


FIG. 2

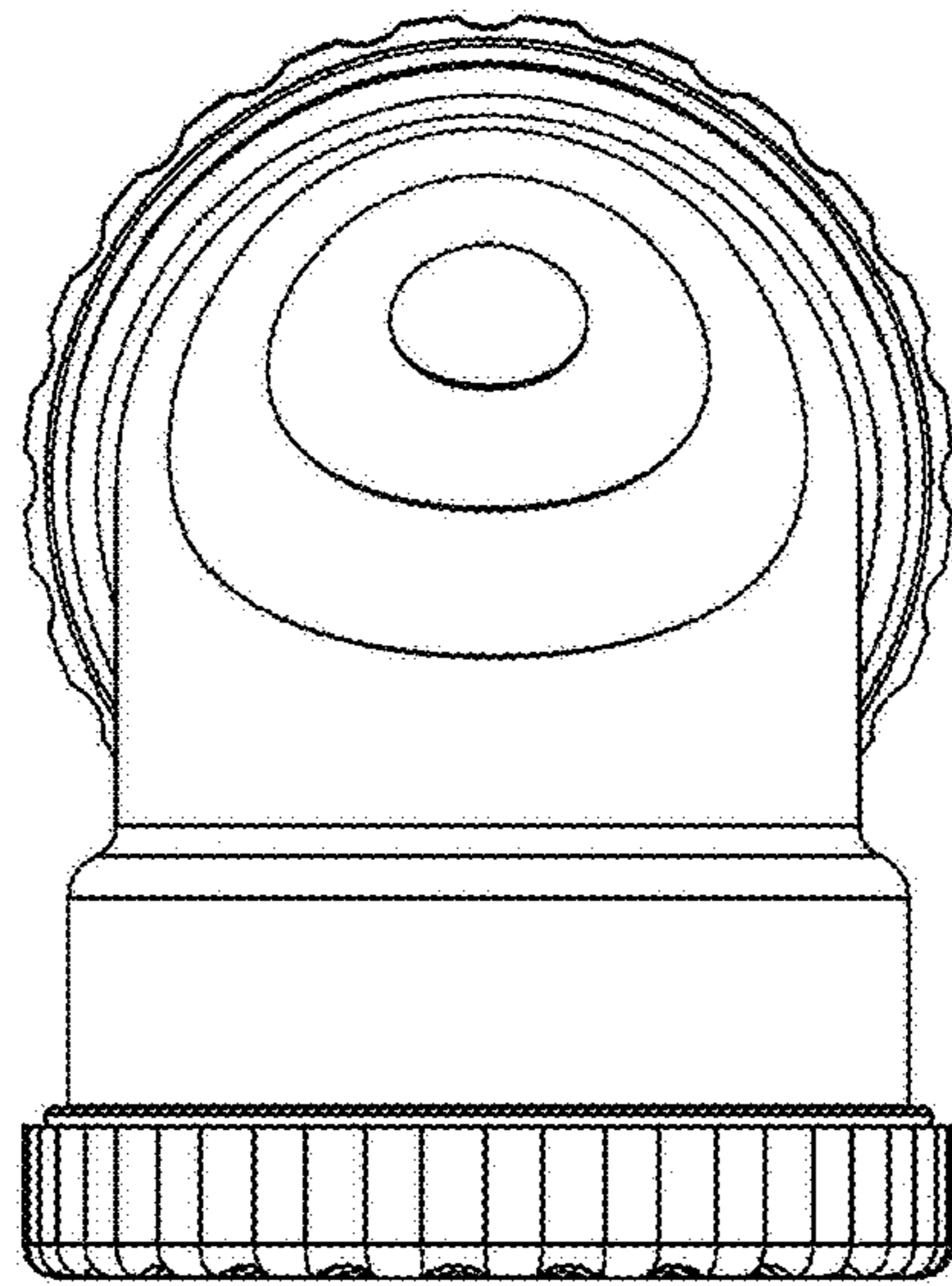


FIG. 3

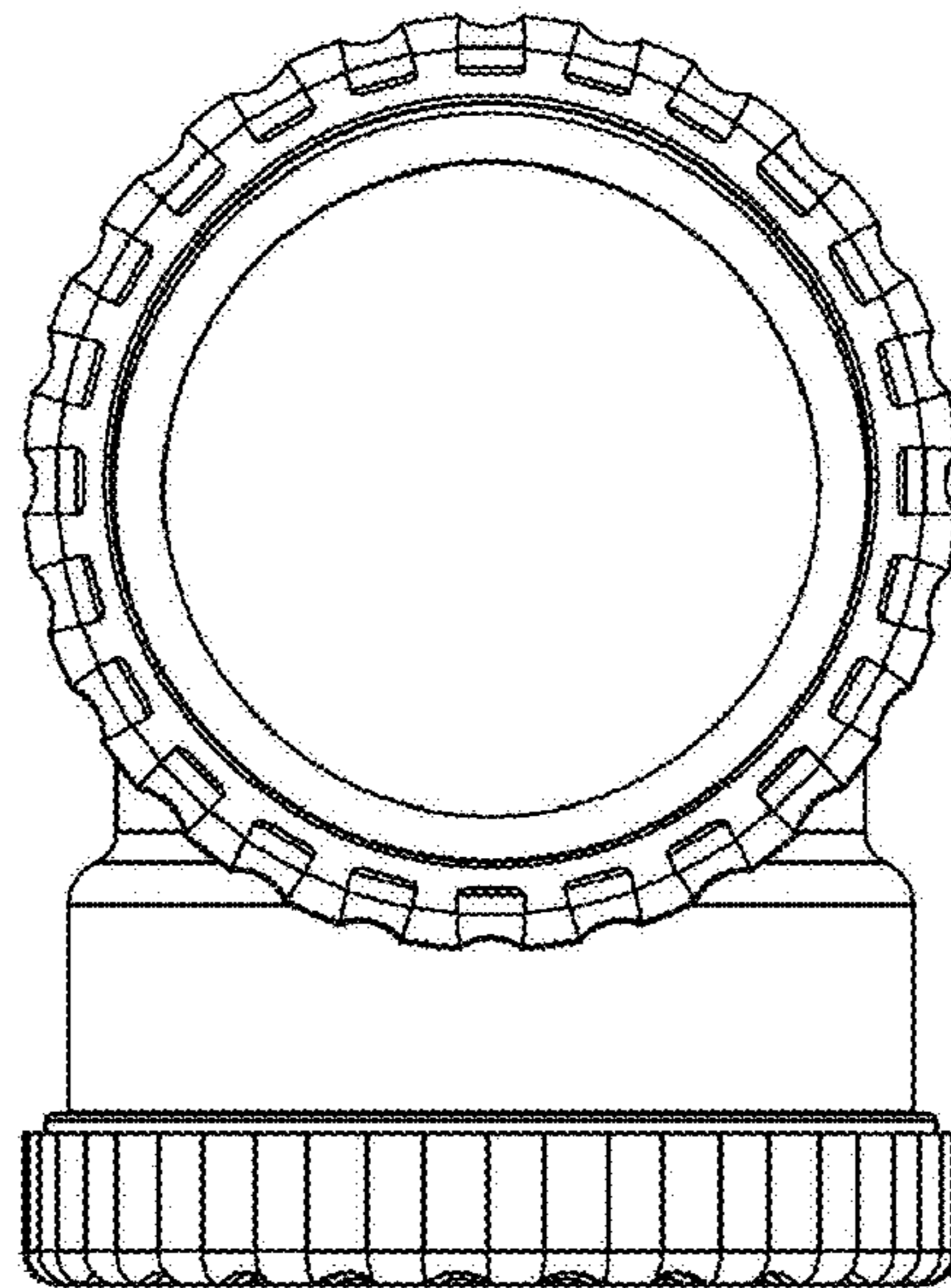


FIG. 4

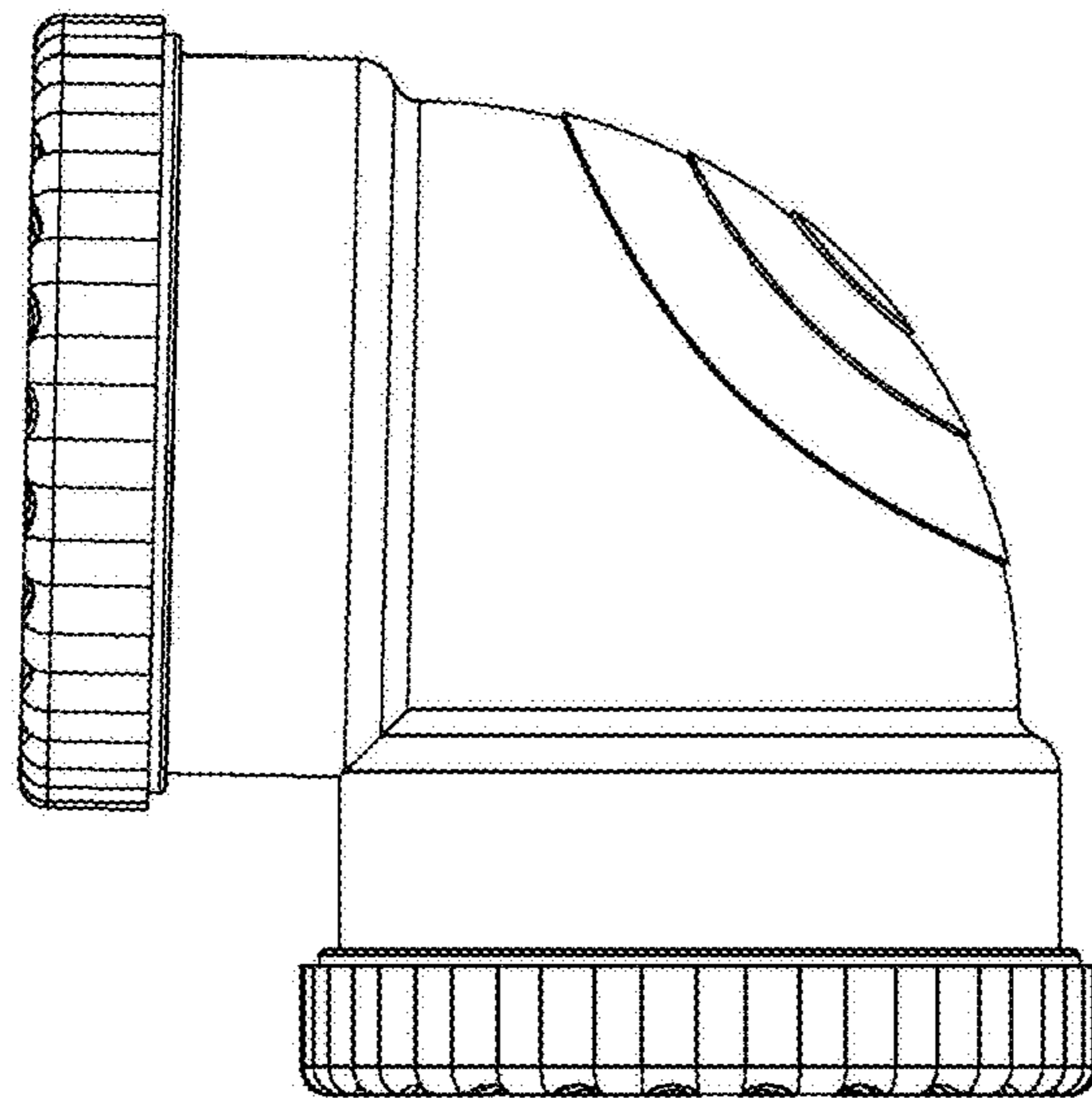


FIG. 5

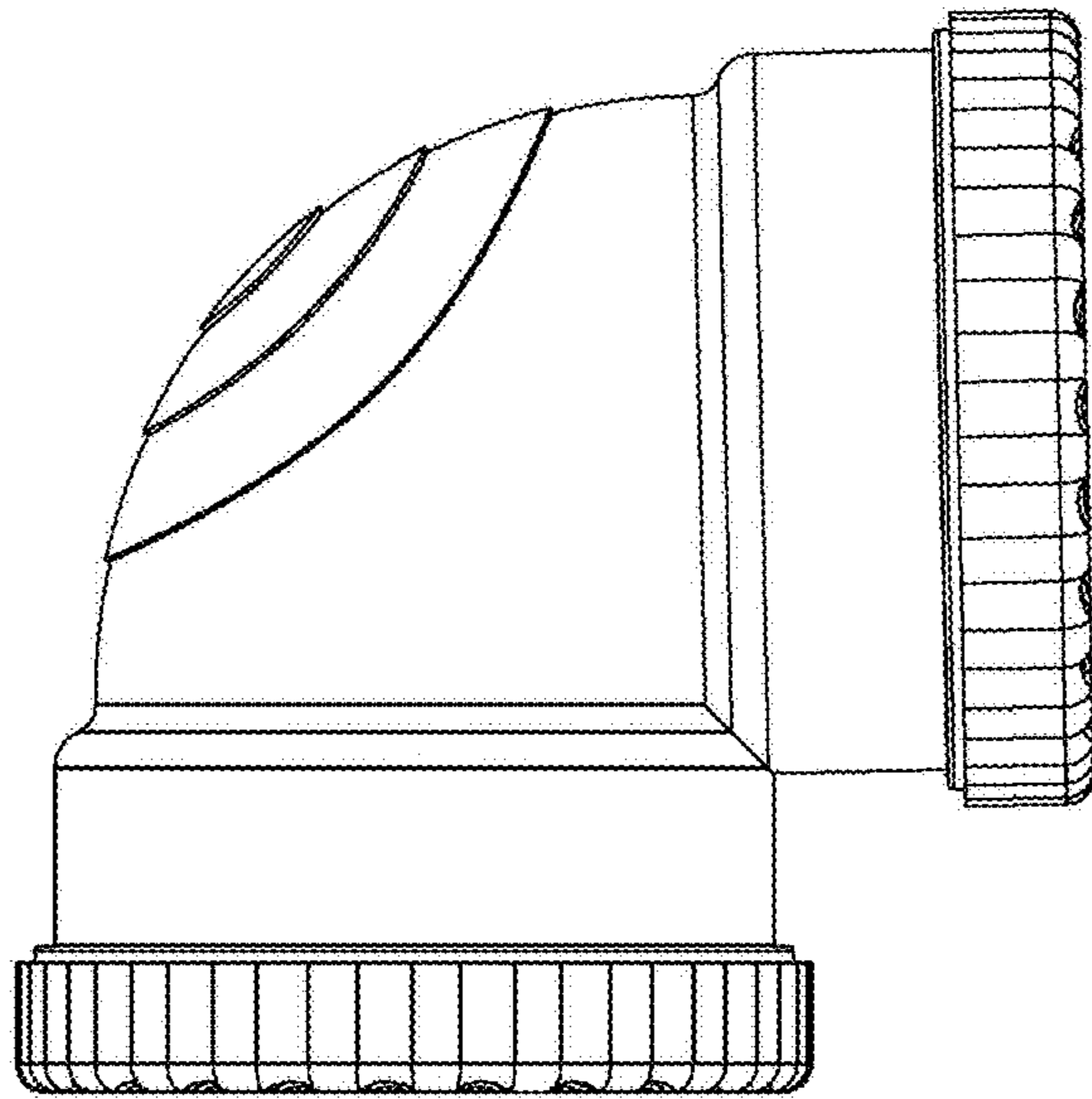


FIG. 6

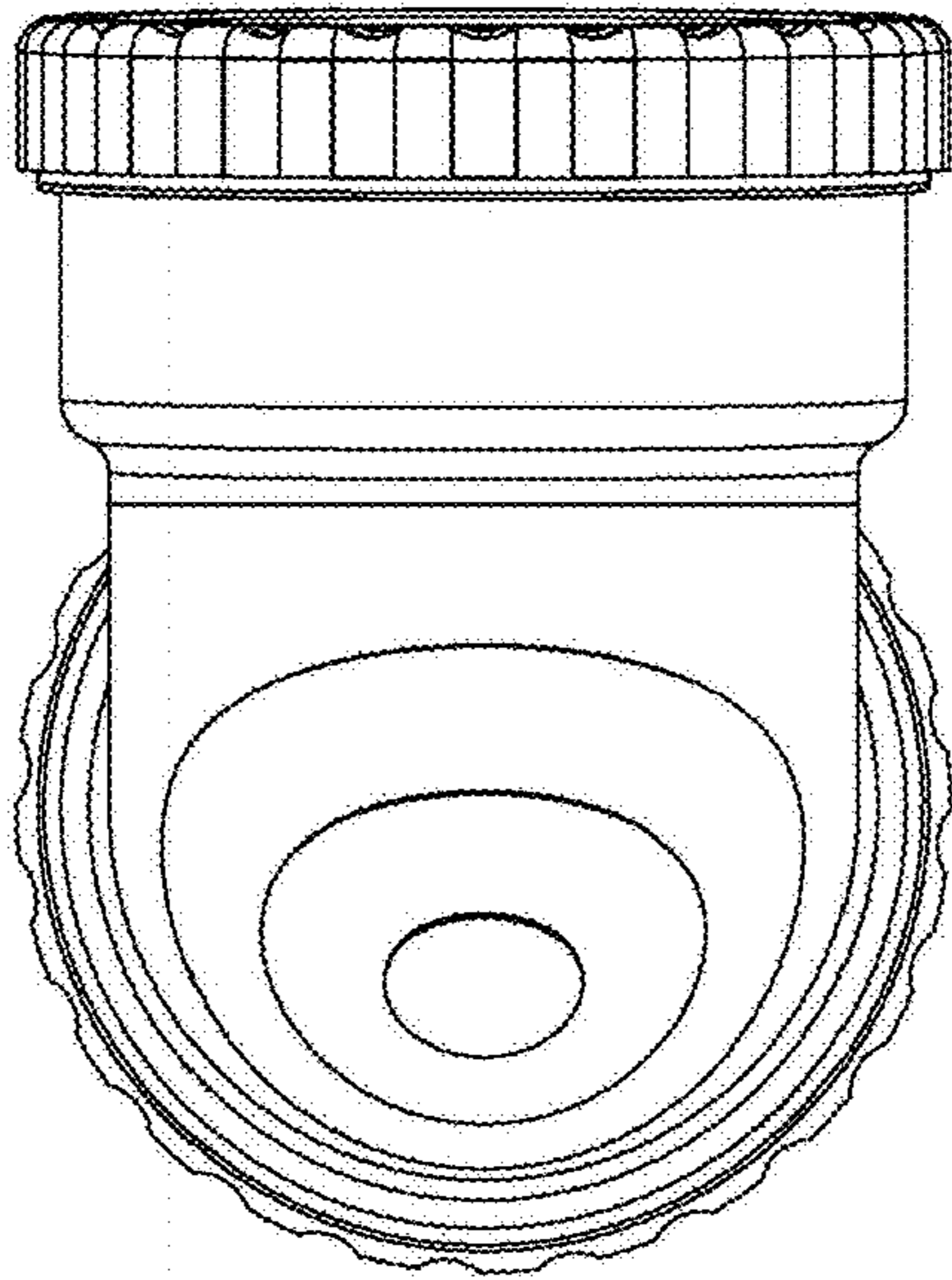


FIG. 7

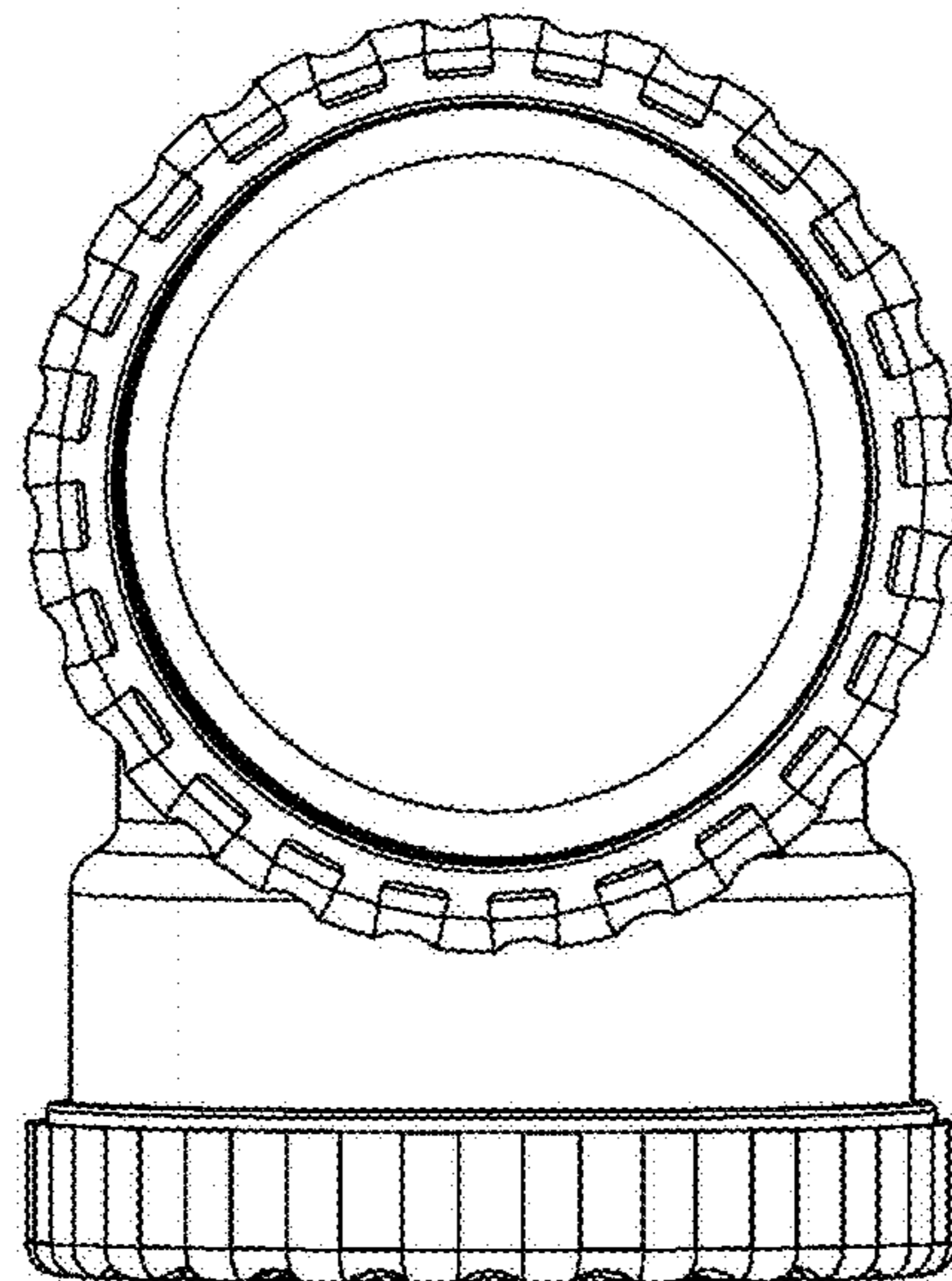


FIG. 8

