



US00D857856S

(12) **United States Design Patent**
Lee et al.

(10) **Patent No.:** **US D857,856 S**
(45) **Date of Patent:** **** Aug. 27, 2019**

(54) **PIPE CONNECTING TUBE**
(71) Applicants: **PPI PYUNGWHA CO., LTD.**,
Hwaseong-si, Gyeonggi-do (KR); **PPI AMERICA INC.**, Chicago, IL (US)
(72) Inventors: **Jong-Tae Lee**, Seoul (KR); **Kiwoong Hwang**, Yangju-si (KR)
(73) Assignees: **PPI PYUNGWHA CO., LTD.**,
Hwaseong-si (KR); **PPI AMERICA INC.**, Chicago, IL (US)

D304,486 S * 11/1989 Elder D23/233
D389,562 S * 1/1998 Picton D23/263
6,012,871 A * 1/2000 Bryant E03F 1/002
405/40
6,422,608 B1 * 7/2002 Lee B65G 53/523
285/131.1
D630,305 S * 1/2011 Adams D23/259
D738,472 S * 9/2015 Bednarz D23/263
D743,511 S * 11/2015 Bednarz D23/263
D770,599 S * 11/2016 Daughters D23/259
D770,600 S * 11/2016 Daughters D23/263
D771,779 S * 11/2016 Scifres D23/263
D776,797 S * 1/2017 Bednarz D23/263
2004/0194840 A1 * 10/2004 Swingley F16L 47/32
138/155

(**) Term: **15 Years**

* cited by examiner

(21) Appl. No.: **29/640,243**

Primary Examiner — Eric L Goodman

(22) Filed: **Mar. 13, 2018**

Assistant Examiner — Amy C Wierenga

(30) **Foreign Application Priority Data**

(74) *Attorney, Agent, or Firm* — Sughrue Mion, PLLC

Oct. 17, 2017 (KR) 30-2017-0048141

(51) **LOC (12) Cl.** **23-01**

(52) **U.S. Cl.**
USPC **D23/263**

(58) **Field of Classification Search**
USPC D23/259, 262–263, 265–266; D24/110.1,
D24/110.4–110.6, 129; 285/132.1,
285/133.11, 179, 179.1, 179.2, 125.1
CPC F16L 43/001; F16L 43/002; F16L 43/008;
F16L 21/005; F16L 21/002; F16L 21/08;
F16L 21/06; F16L 21/04; F16L 9/22
See application file for complete search history.

(56) **References Cited**

U.S. PATENT DOCUMENTS

D22,865 S * 10/1893 Pierce D23/248
1,629,208 A * 5/1927 Ernst E03C 1/122
138/37

(57) **CLAIM**

The ornamental design for a pipe connecting tube, as shown and described.

DESCRIPTION

FIG. 1 is a perspective view of a pipe connecting tube showing our new design;
FIG. 2 is a front view of the pipe connecting tube;
FIG. 3 is a rear view of the pipe connecting tube;
FIG. 4 is a left-side view of the pipe connecting tube;
FIG. 5 is a right-side view of the pipe connecting tube;
FIG. 6 is a top plan view of the pipe connecting tube;
FIG. 7 is a bottom view of the pipe connecting tube; and,
FIG. 8 is an exploded perspective view of the pipe connecting tube which includes a cap, a sealing, and a main body. The dashed broken lines depict portions of the pipe connecting tube that form no part of the claim.

1 Claim, 8 Drawing Sheets

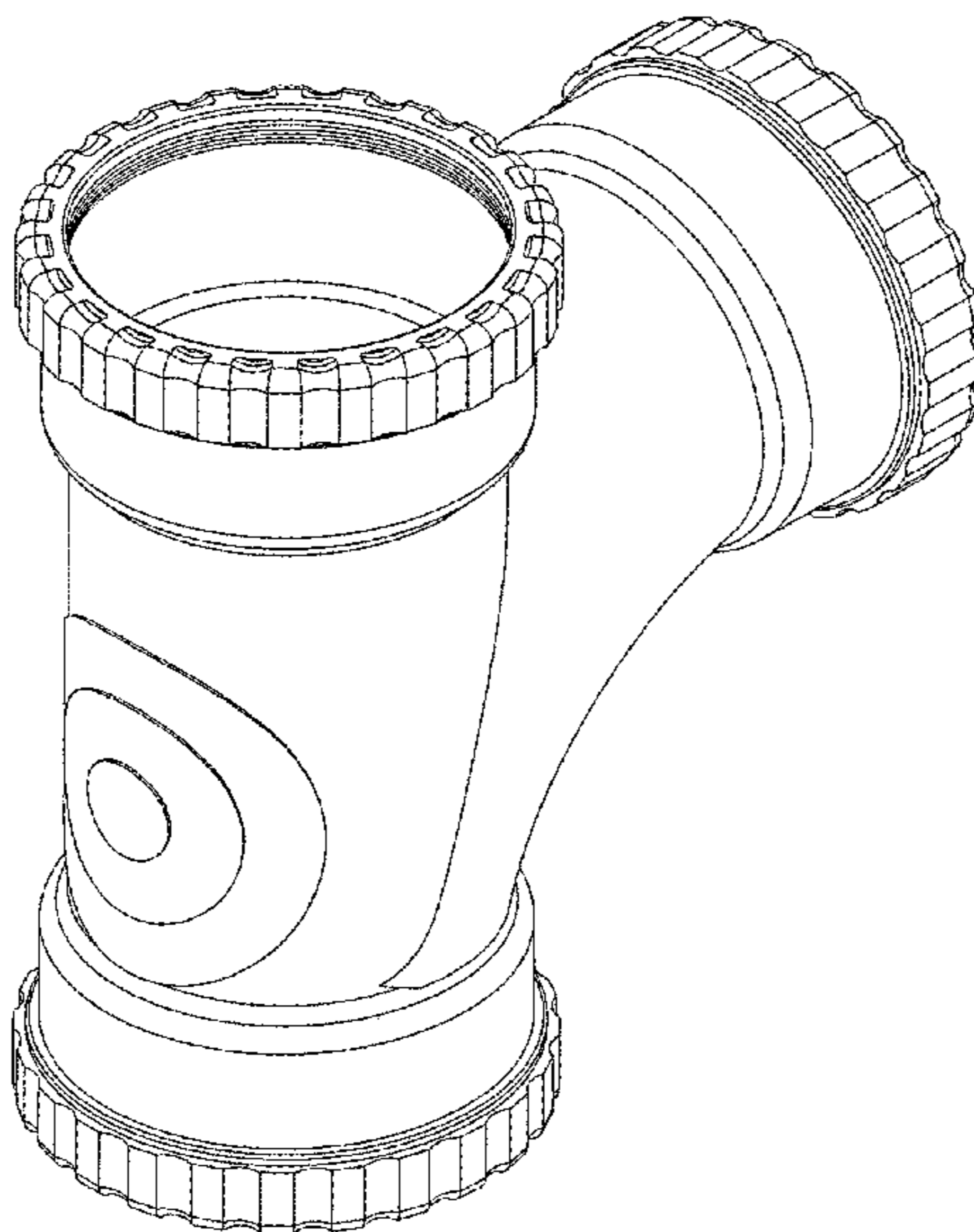


FIG. 1

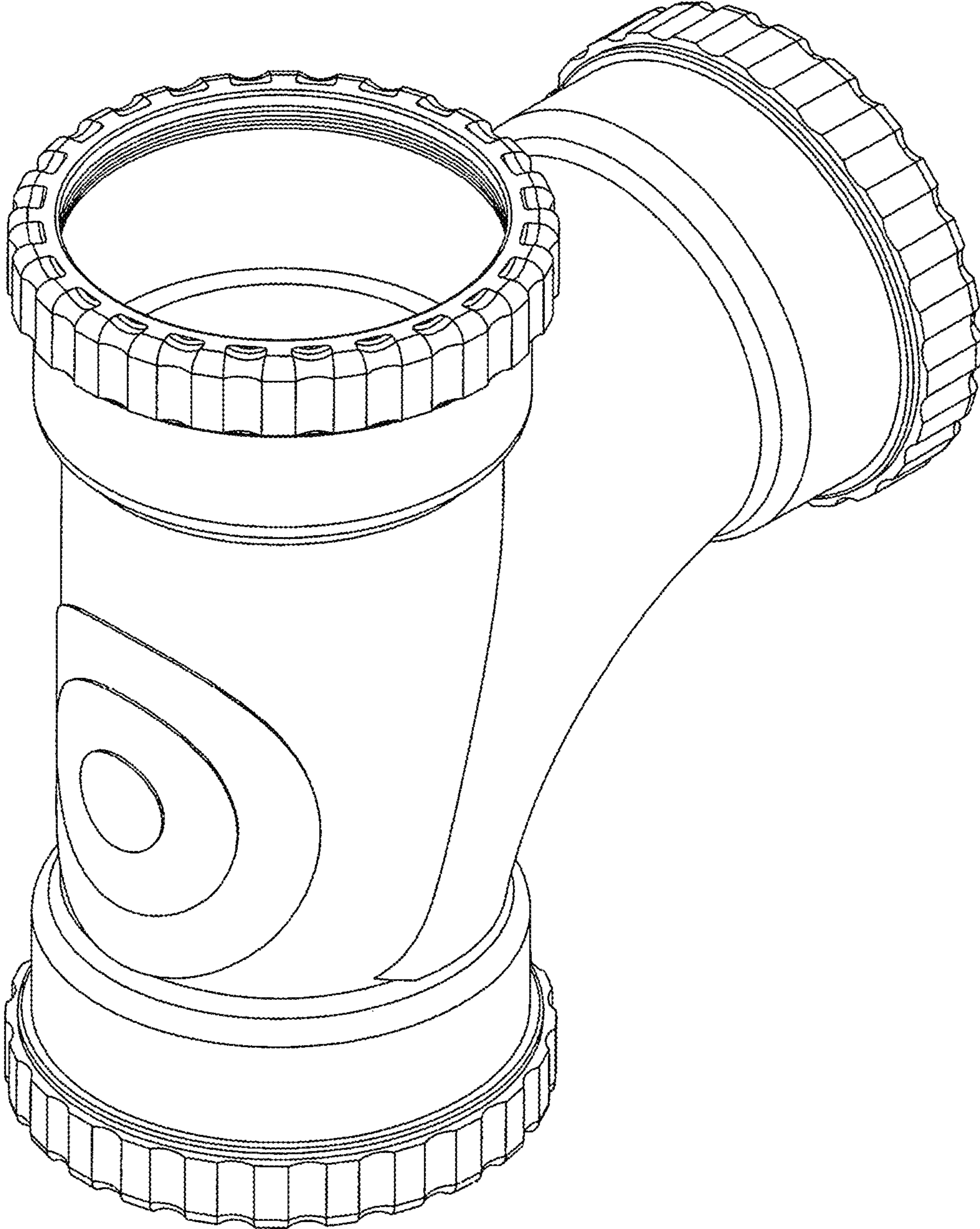


FIG. 2

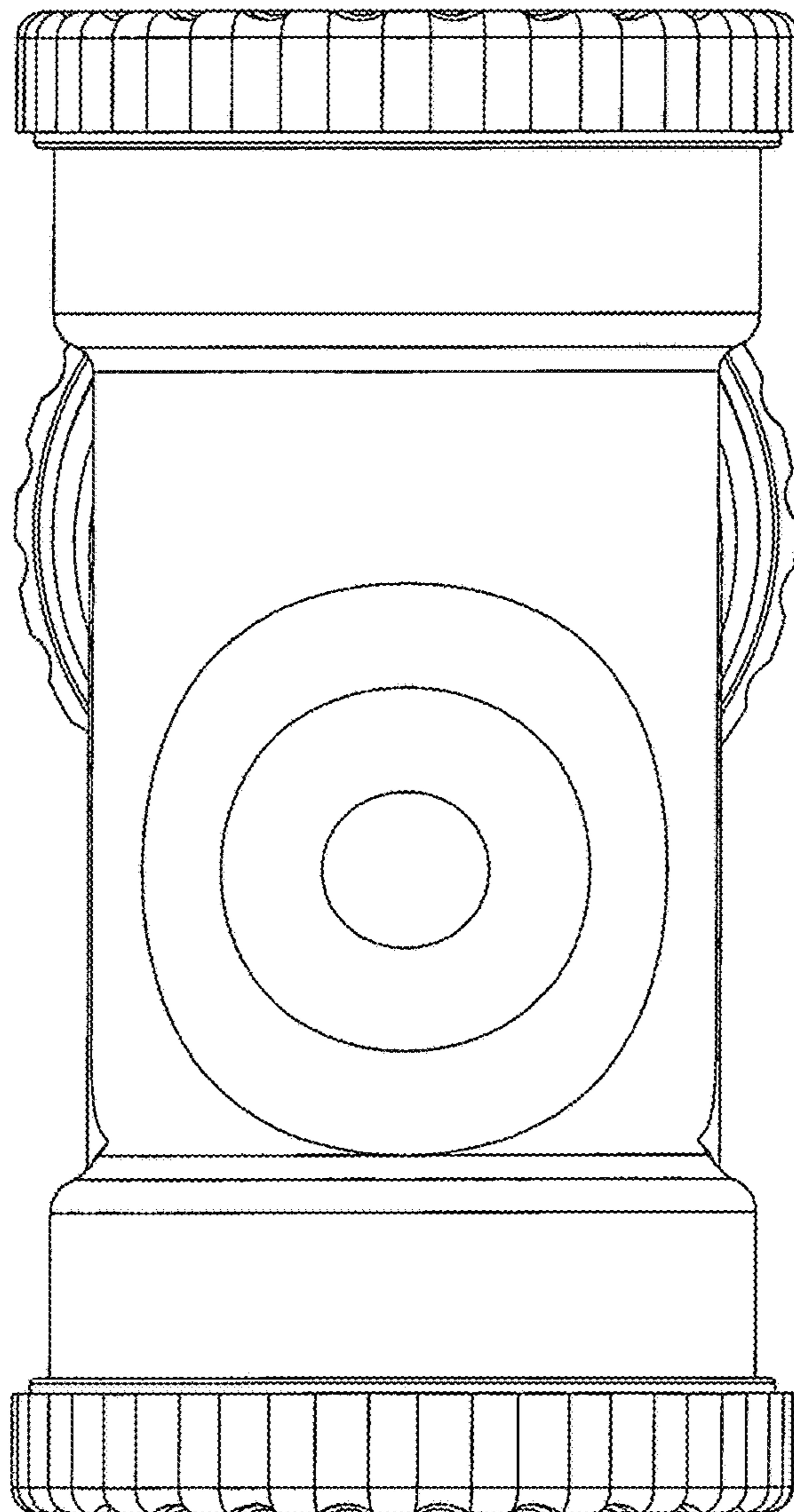


FIG. 3

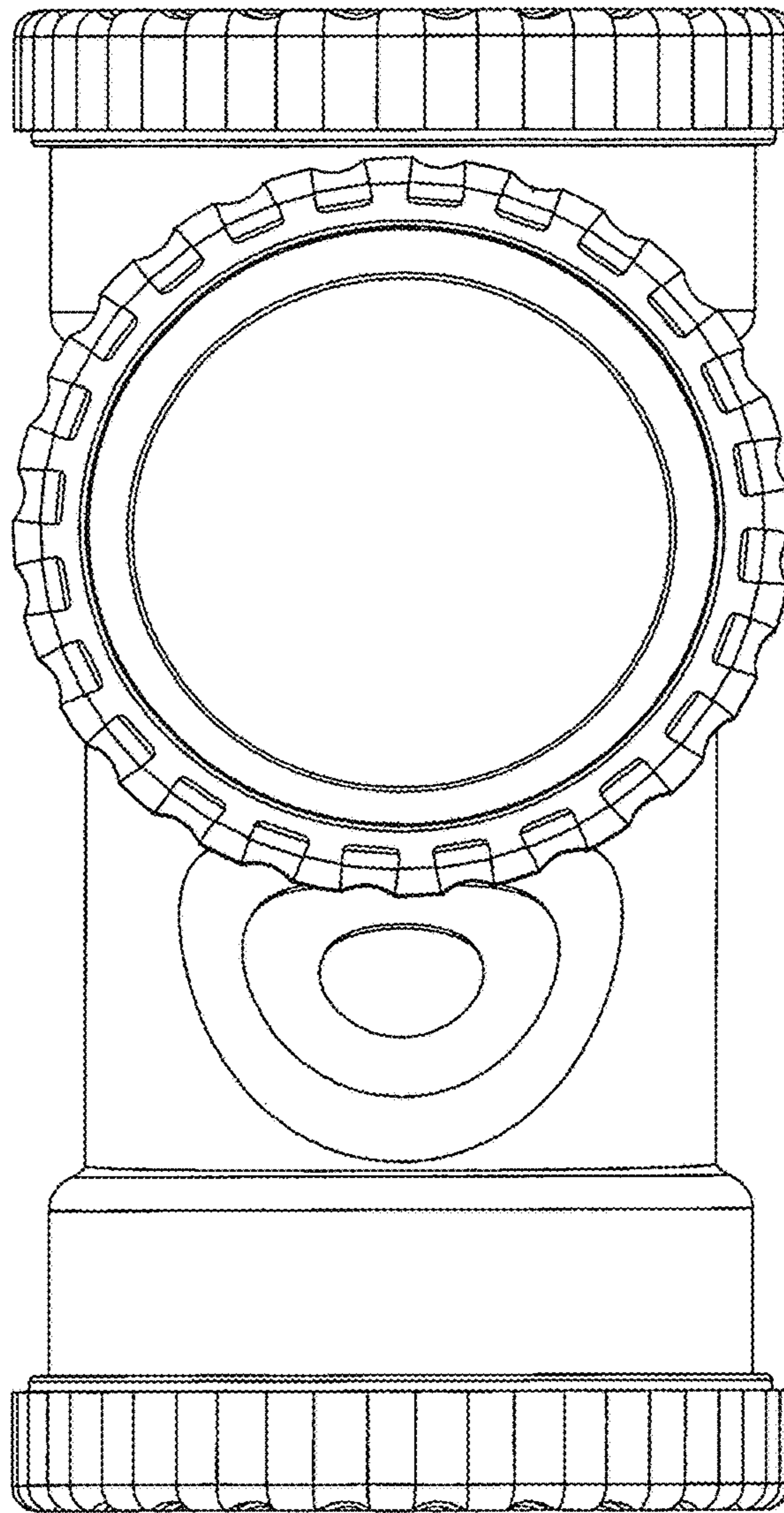


FIG. 4

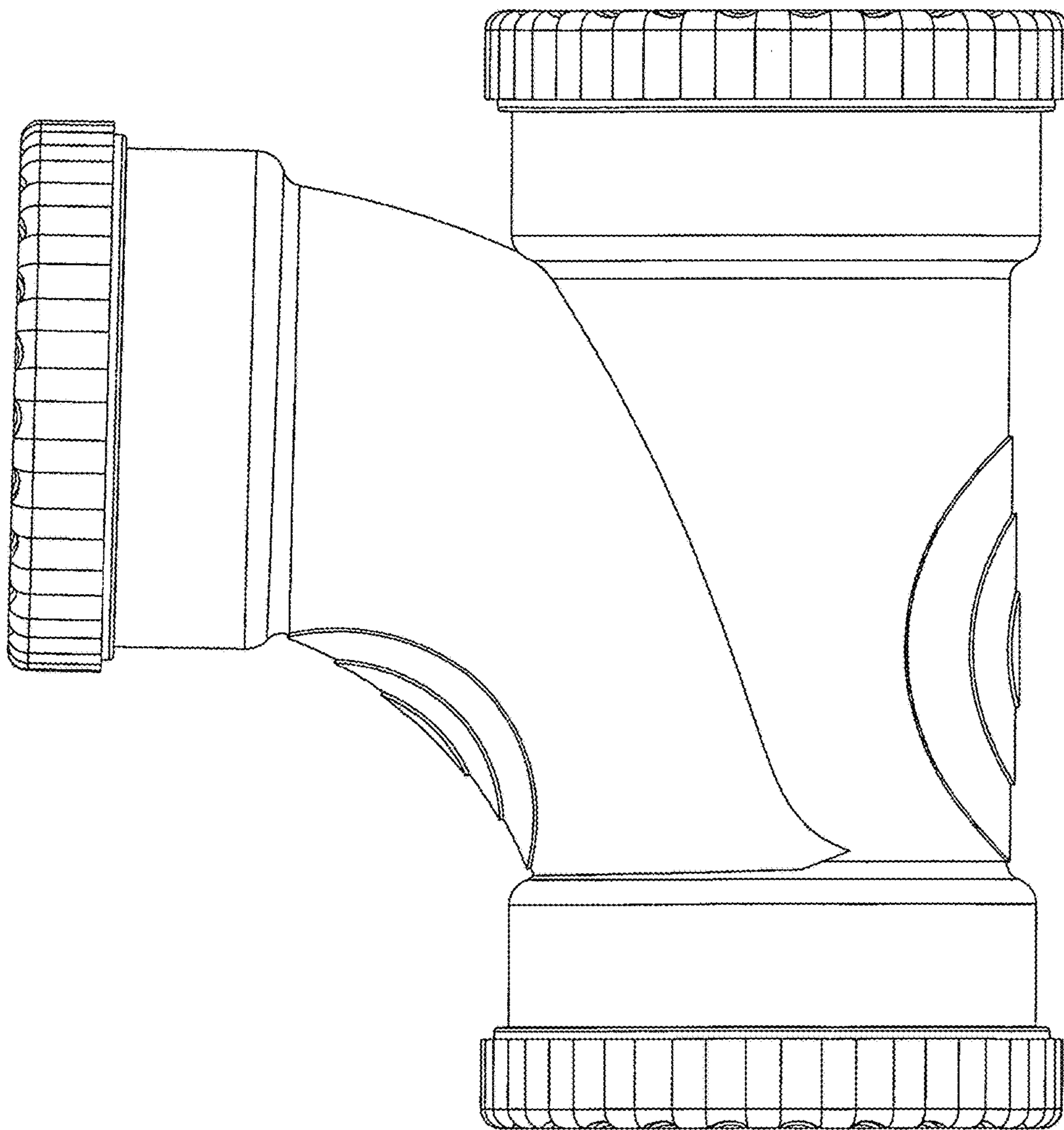


FIG. 5

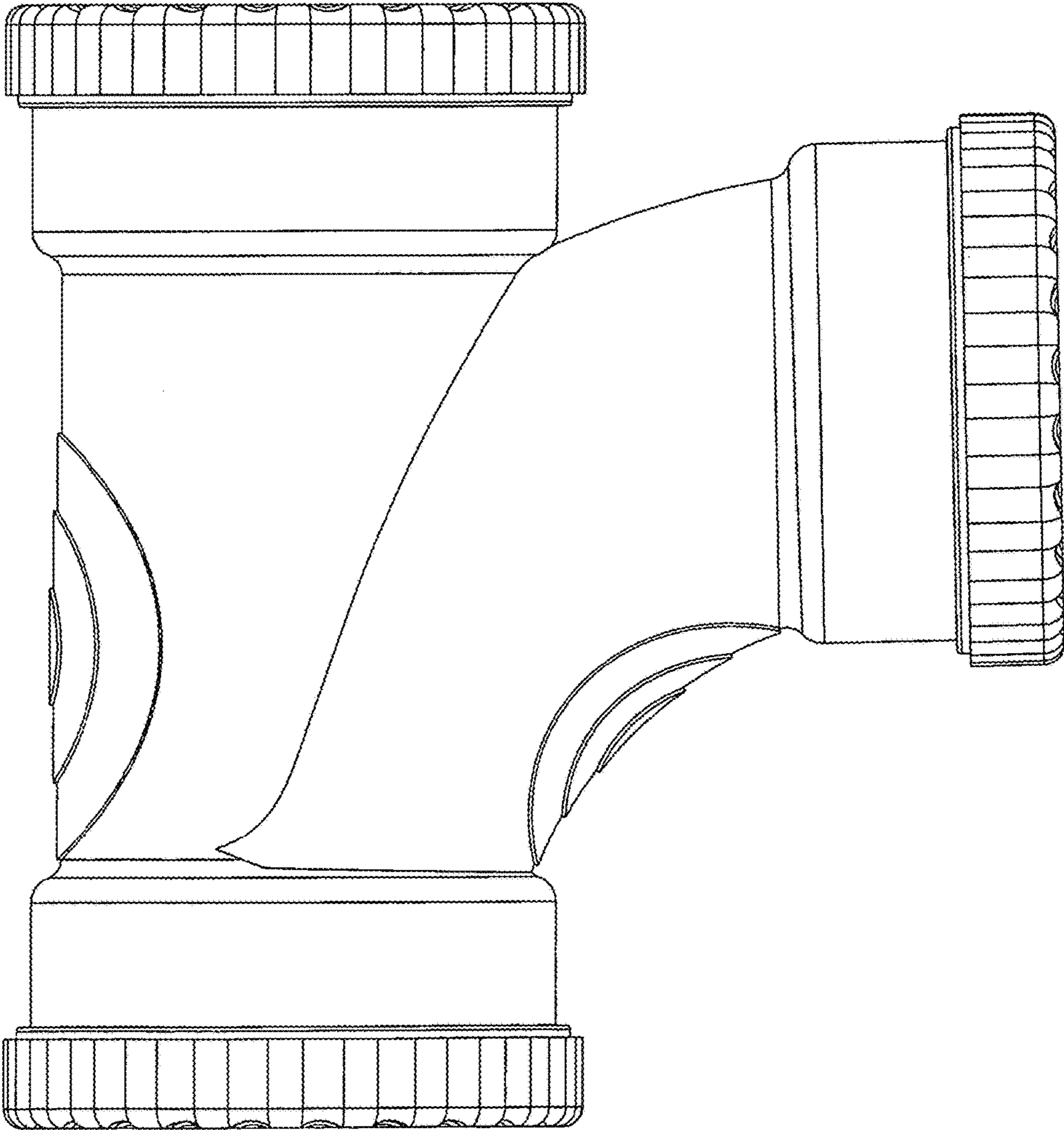


FIG. 6

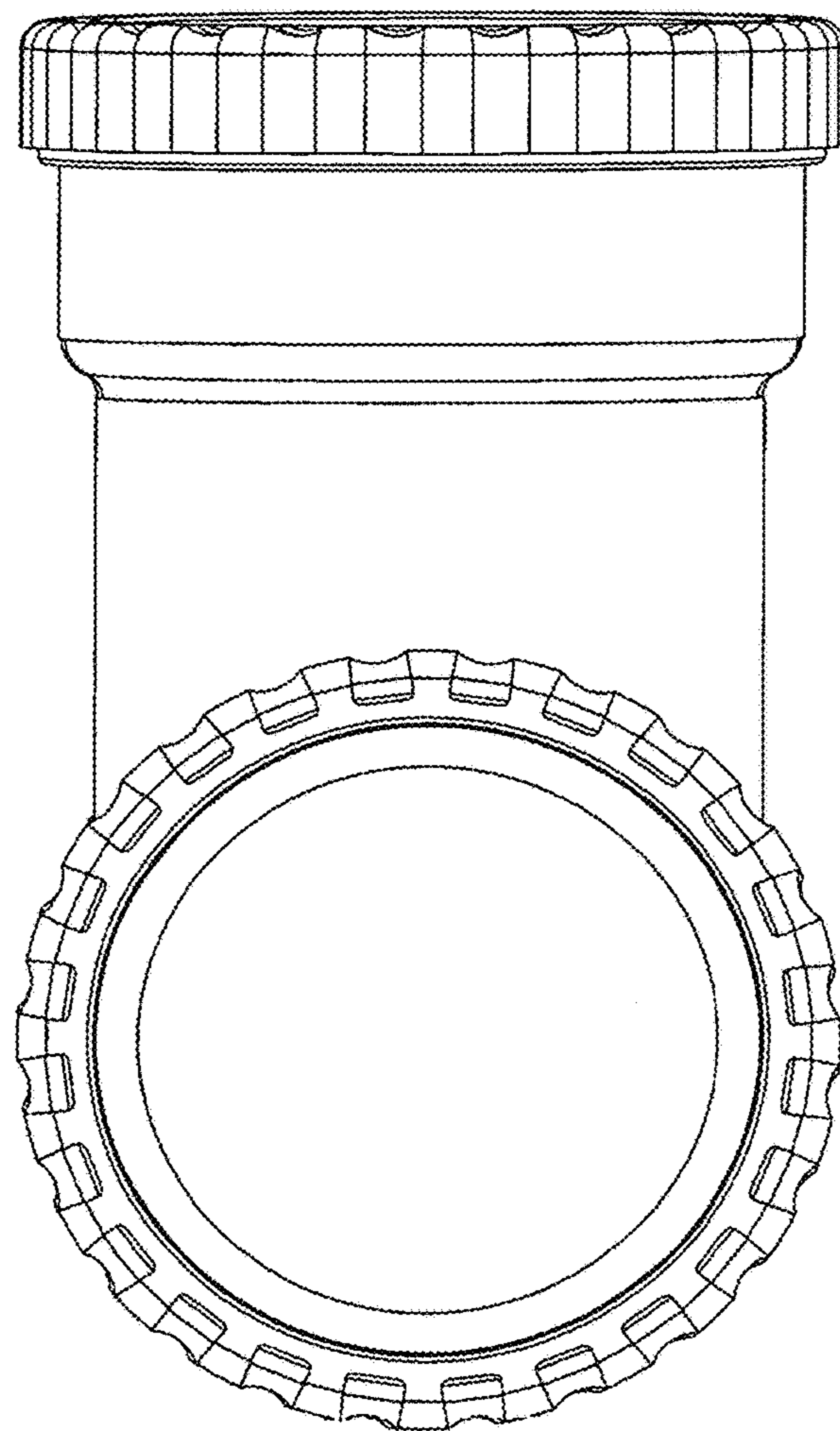


FIG. 7

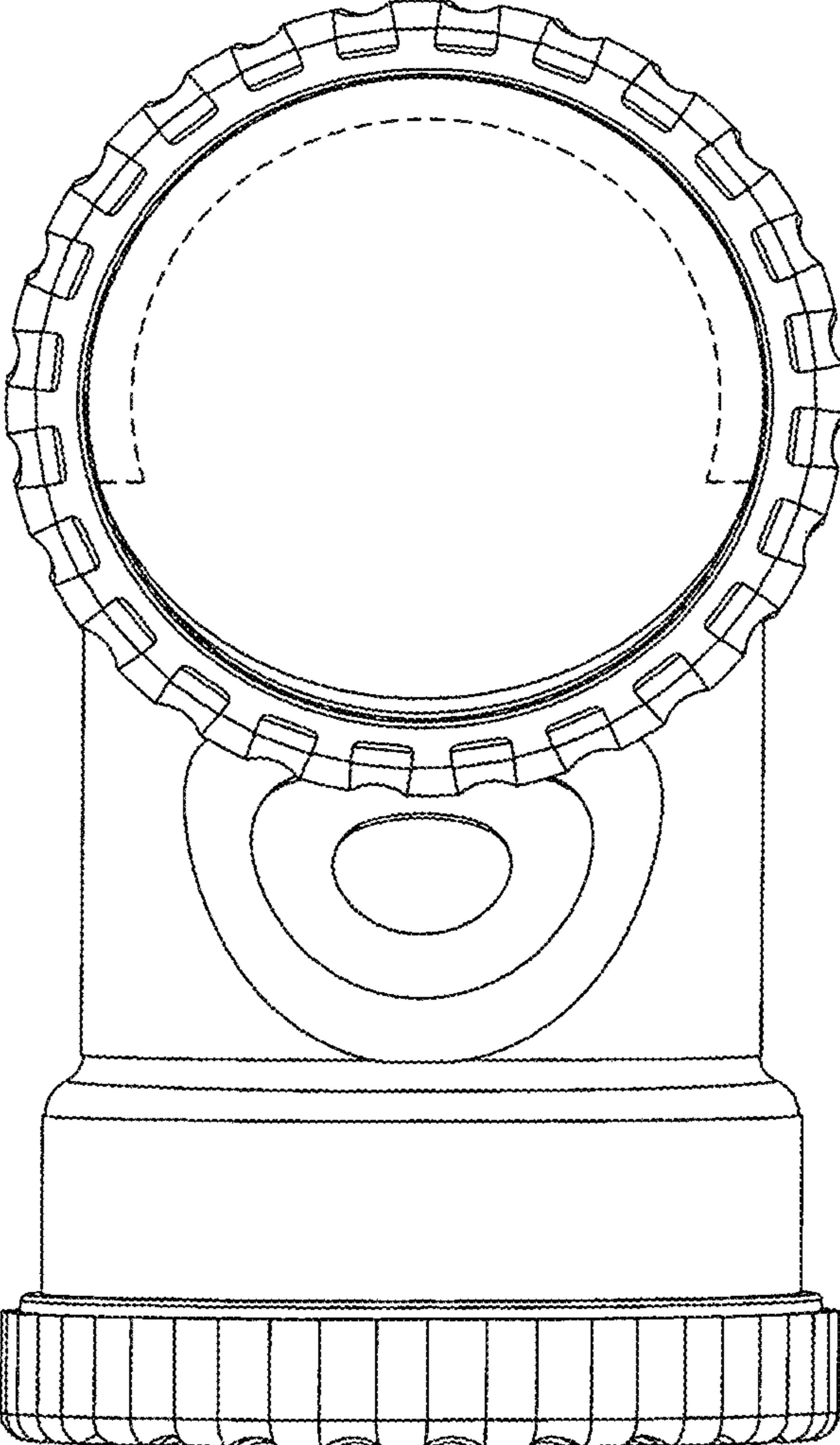


FIG. 8

