



US00D857855S

(12) **United States Design Patent** (10) **Patent No.:** **US D857,855 S**
Zeisel et al. (45) **Date of Patent:** **** Aug. 27, 2019**

- (54) **PUSH-BUTTON—KITCHEN AND BATHROOM TAP**
- (71) Applicant: **Franke Water Systems AG**, Unterkulm (CH)
- (72) Inventors: **Michael Zeisel**, Aachen (DE); **Michael Lammel**, Aachen (DE)
- (73) Assignee: **Franke Water Systems AG**, Unterkulm (CH)
- (**) Term: **15 Years**
- (21) Appl. No.: **29/684,171**
- (22) Filed: **Mar. 19, 2019**

Related U.S. Application Data

- (62) Division of application No. 29/612,728, filed on Aug. 3, 2017.

(30) **Foreign Application Priority Data**

- Feb. 15, 2017 (WO) DM/094 895
- (51) **LOC (12) Cl.** **23-01**
- (52) **U.S. Cl.**
USPC **D23/257**
- (58) **Field of Classification Search**
USPC D23/238–243, 249, 255, 257
CPC E03C 1/04; E03C 1/0401; E03C 1/0402;
E03C 1/0404; Y10T 137/9464
See application file for complete search history.

(56) **References Cited**

U.S. PATENT DOCUMENTS

D302,203 S	7/1989	Paul
D517,655 S	3/2006	Ogata et al.
D615,627 S	5/2010	Sofield
D678,988 S	3/2013	Lord
D757,903 S	5/2016	Schoenherr et al.
D810,243 S	2/2018	Schoenherr et al.
D816,803 S	5/2018	Ravassa et al.

Primary Examiner — Robert A Delehanty

(74) *Attorney, Agent, or Firm* — Volpe and Koenig, P.C.

(57) **CLAIM**

The ornamental design for a push-button—kitchen and bathroom tap, as shown and described.

DESCRIPTION

FIG. 1 is a top, front, right side perspective view of a push-button-kitchen and bathroom tap in accordance with our new design;

FIG. 2 is a right side elevational view thereof;

FIG. 3 is a left side elevational view thereof;

FIG. 4 is a front elevational view thereof;

FIG. 5 is rear elevational view thereof;

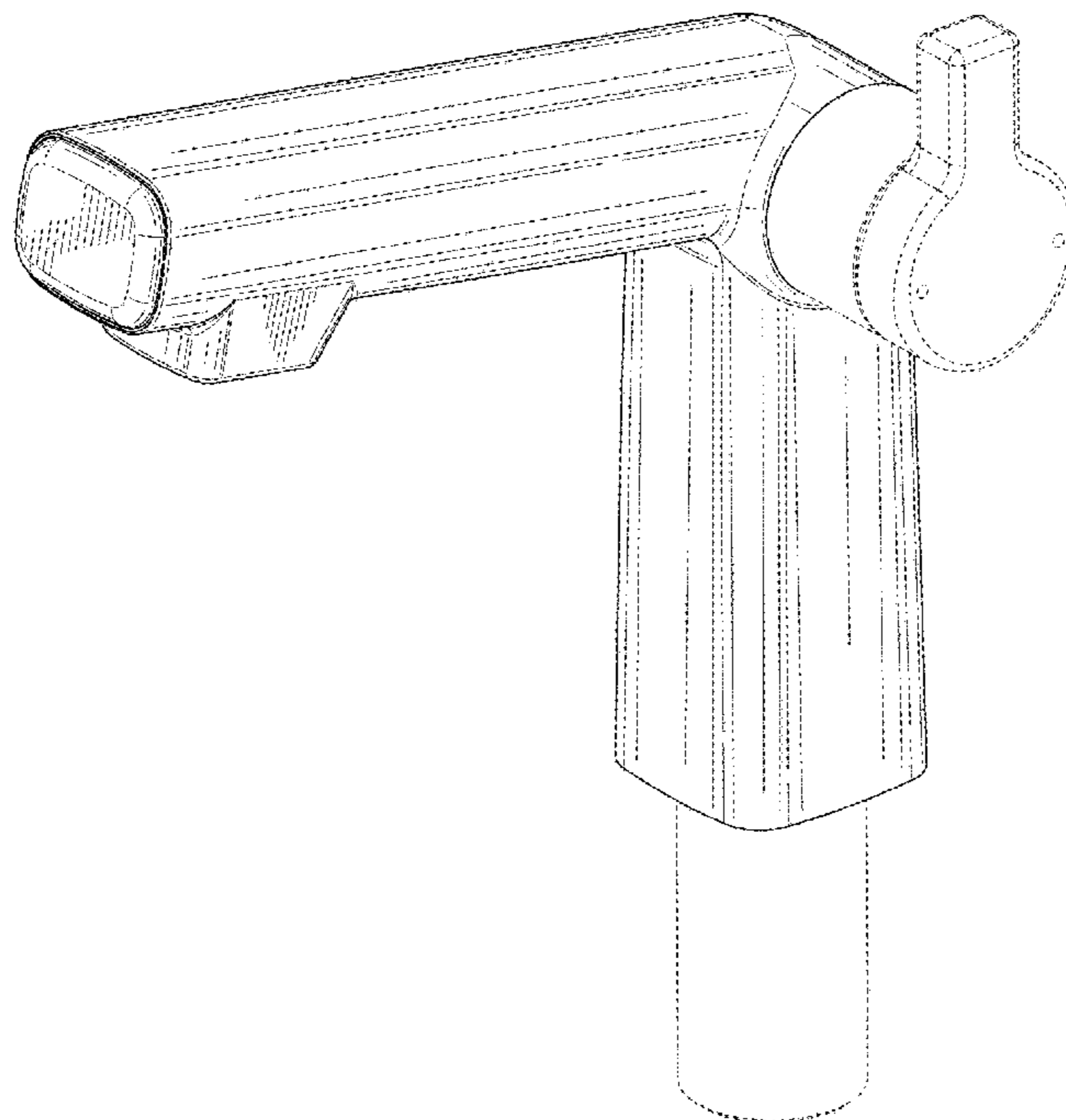
FIG. 6 is top plan view thereof;

FIG. 7 is a bottom plan view thereof; and,

FIG. 8 is a top, rear, left side perspective view thereof.

The broken lines represent portions of the push-button—kitchen and bathroom tap that form no part of the claimed design.

1 Claim, 7 Drawing Sheets



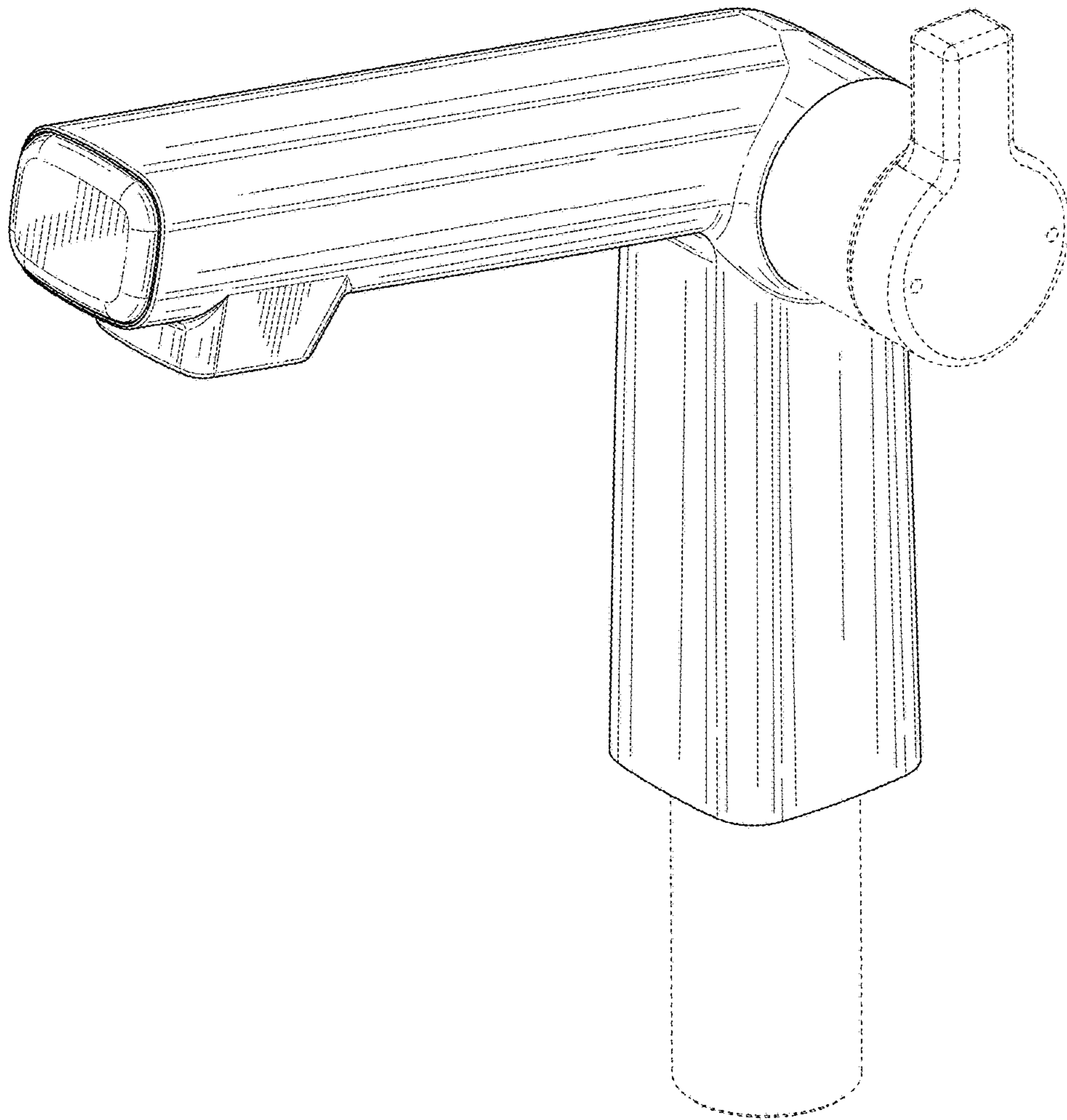


FIG. 1

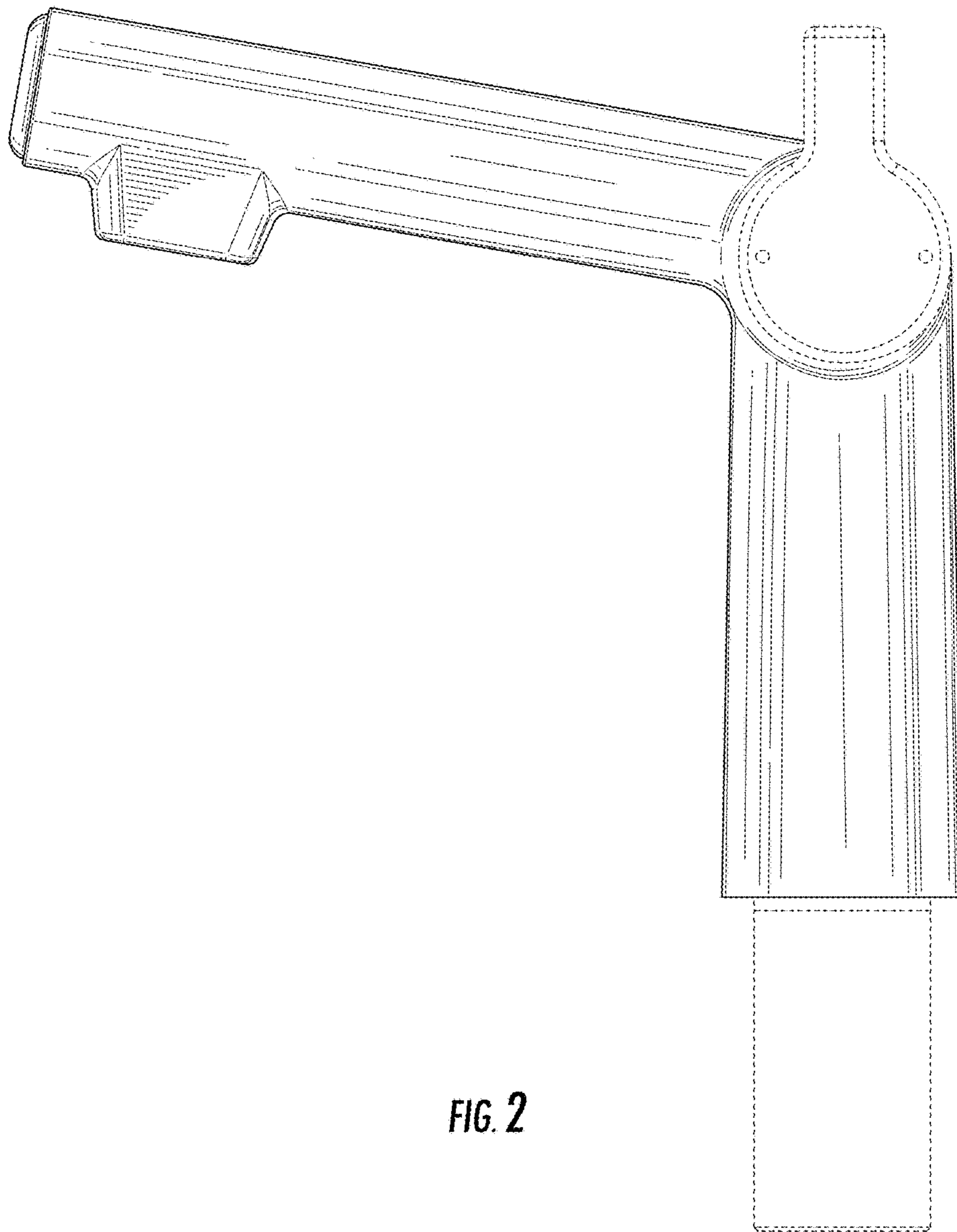


FIG. 2

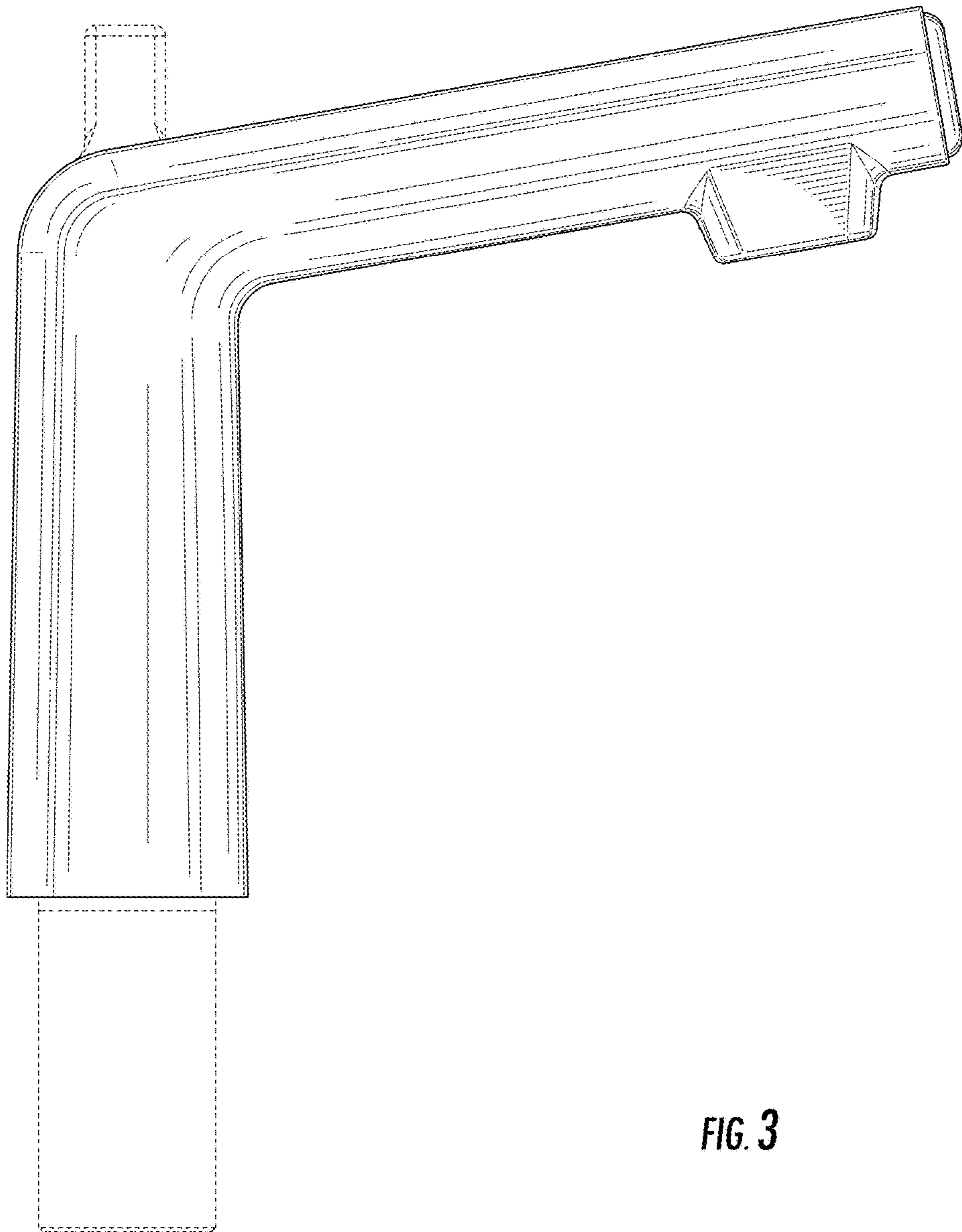


FIG. 3

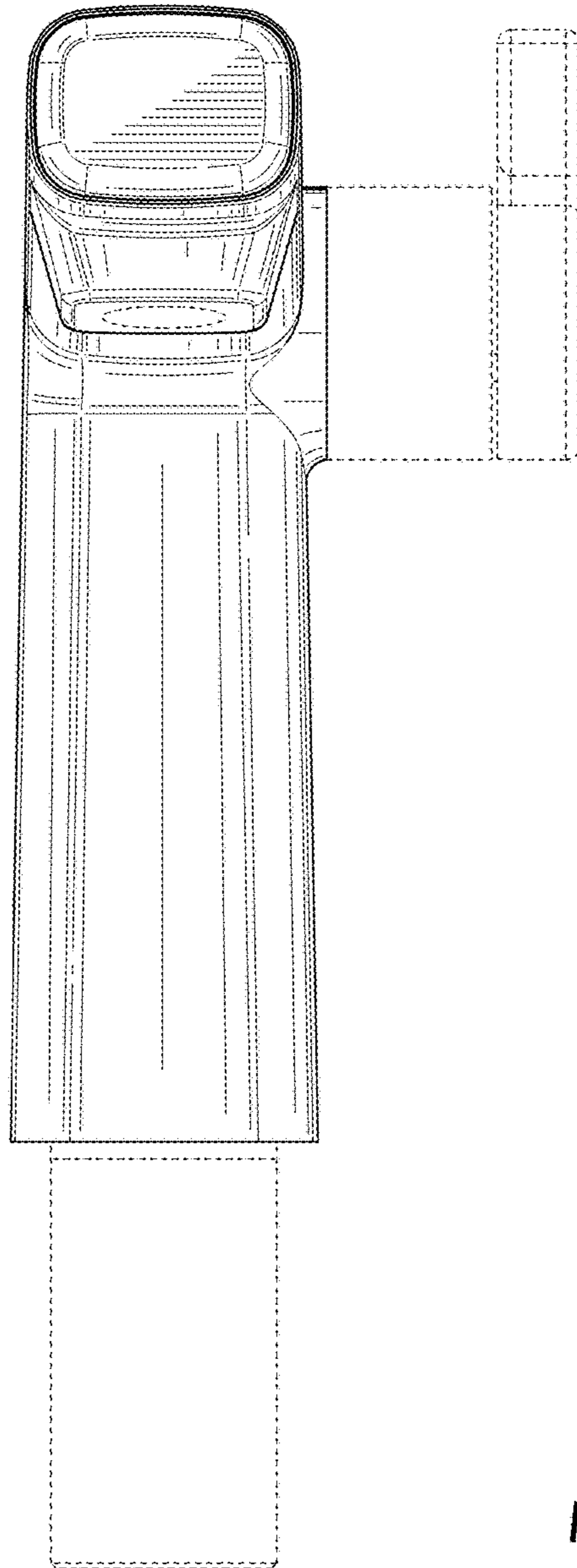


FIG. 4

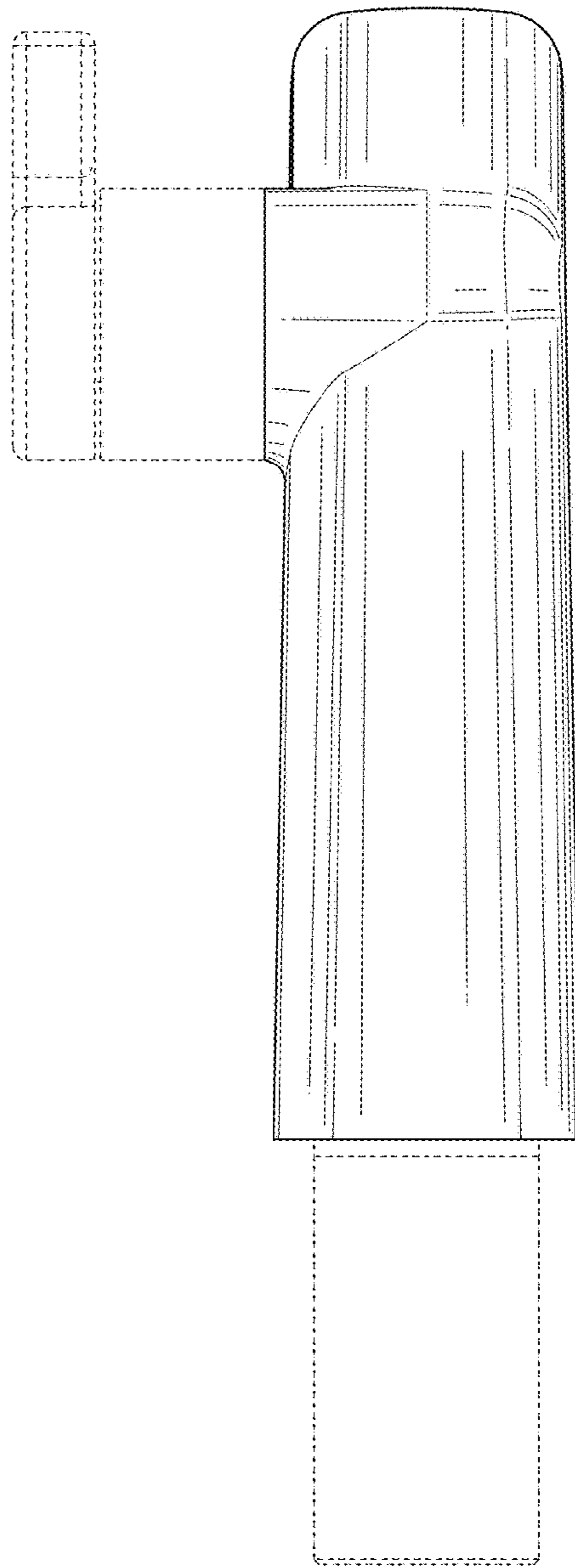


FIG. 5

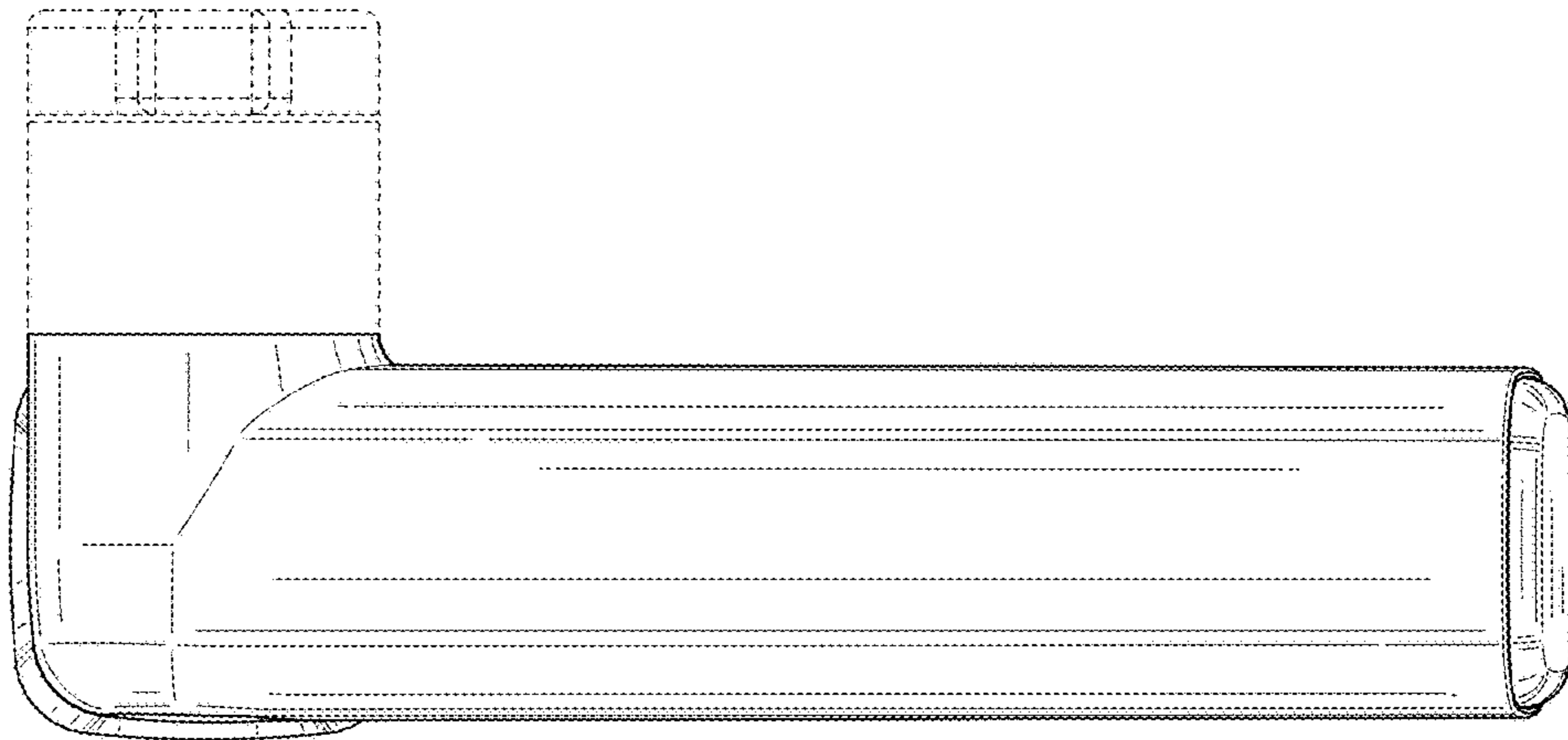


FIG. 6

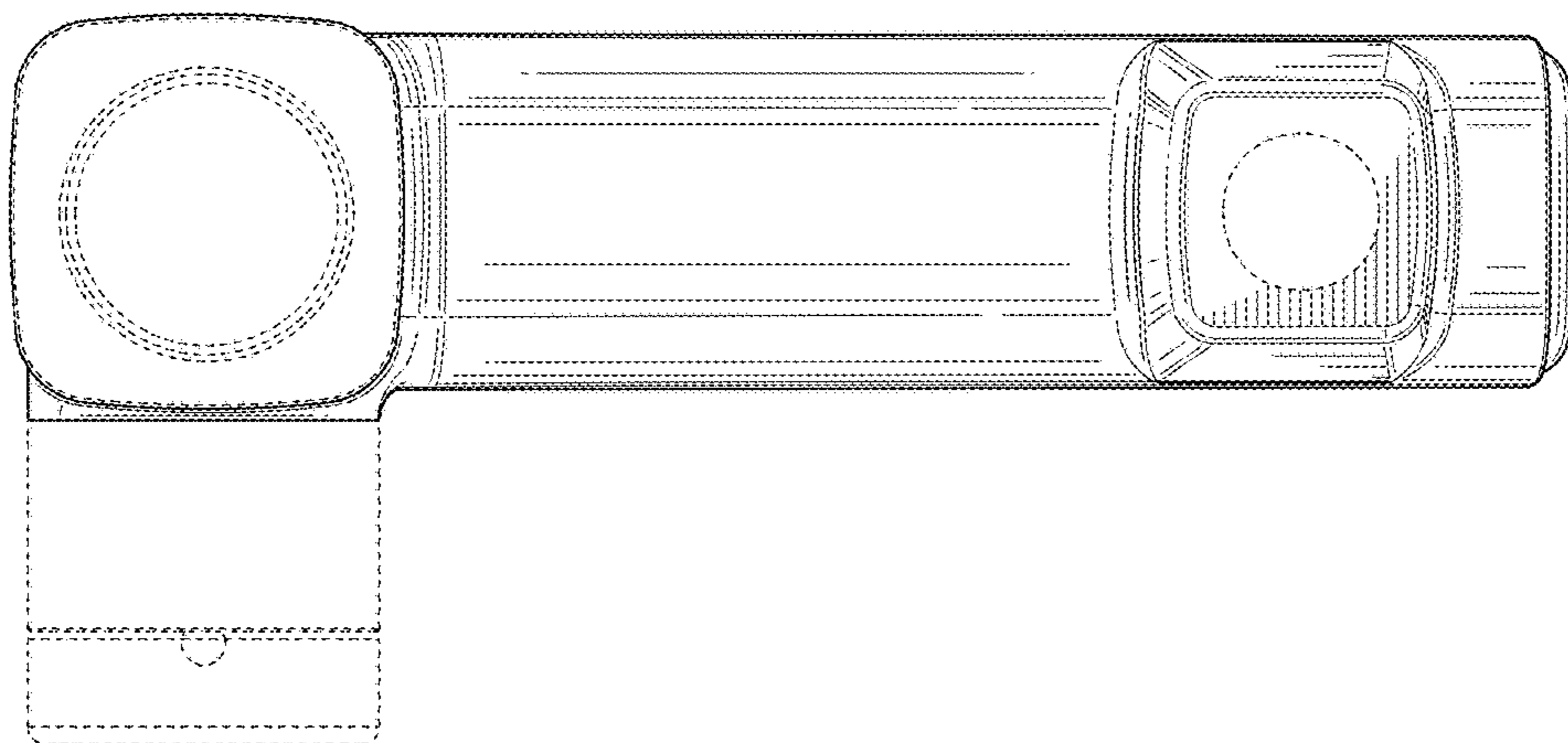


FIG. 7

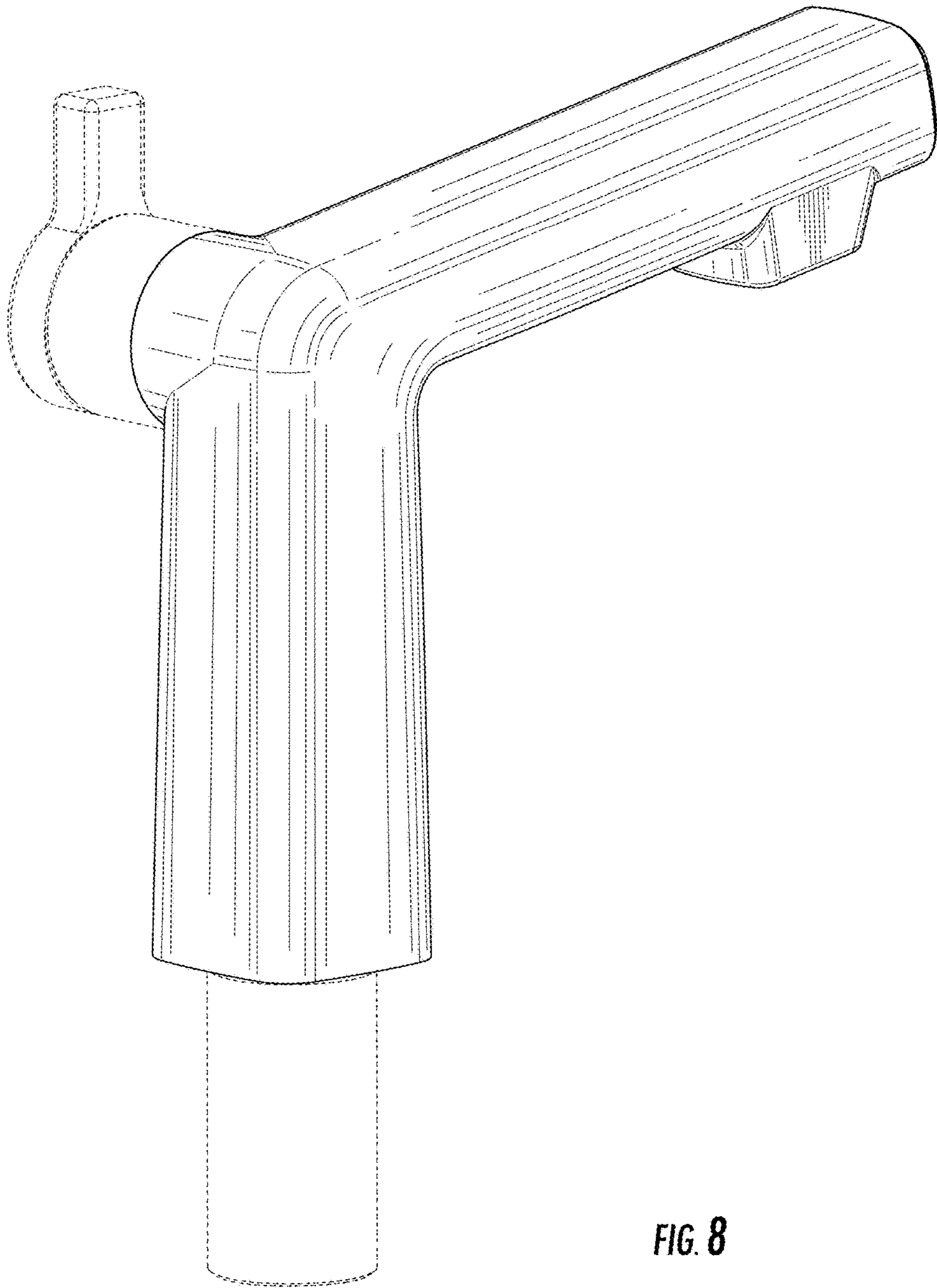


FIG. 8