



US00D857854S

(12) **United States Design Patent**  
**Garland**

(10) **Patent No.:** **US D857,854 S**

(45) **Date of Patent:** **\*\* Aug. 27, 2019**

(54) **FAUCET HANDLE**

(71) Applicant: **DELTA FAUCET COMPANY,**  
Indianapolis, IN (US)

(72) Inventor: **Celine Kwok Garland,** Zionsville, IN  
(US)

(73) Assignee: **DELTA FAUCET COMPANY,**  
Indianapolis, IN (US)

(\*\*) Term: **15 Years**

(21) Appl. No.: **29/638,493**

(22) Filed: **Feb. 27, 2018**

(51) **LOC (12) Cl.** ..... **23-01**

(52) **U.S. Cl.**  
USPC ..... **D23/252**

(58) **Field of Classification Search**  
USPC ..... D23/238-243, 249, 250-255, 257, 309;  
D8/300, 307, 308  
CPC .... Y10T 137/9464; E03C 1/04; E03C 1/0412  
See application file for complete search history.

(56) **References Cited**

**U.S. PATENT DOCUMENTS**

D105,254 S \* 7/1937 Zinkil ..... D23/250  
D538,894 S \* 3/2007 Hoernig ..... D23/241

D548,563 S \* 8/2007 Hoernig ..... D8/308  
D592,283 S \* 5/2009 Eilmus ..... D23/252  
D602,570 S \* 10/2009 Lammel ..... D23/242  
D674,057 S \* 1/2013 Lord ..... D23/252  
D770,597 S \* 11/2016 Eads ..... D23/252  
D800,270 S \* 10/2017 Andrew ..... D23/252  
D837,945 S \* 1/2019 Soulier ..... D23/252

\* cited by examiner

*Primary Examiner* — Sheryl Lane

*Assistant Examiner* — Samantha N Wood

(74) *Attorney, Agent, or Firm* — Edgar A. Zarins; Nirav  
D. Parikh

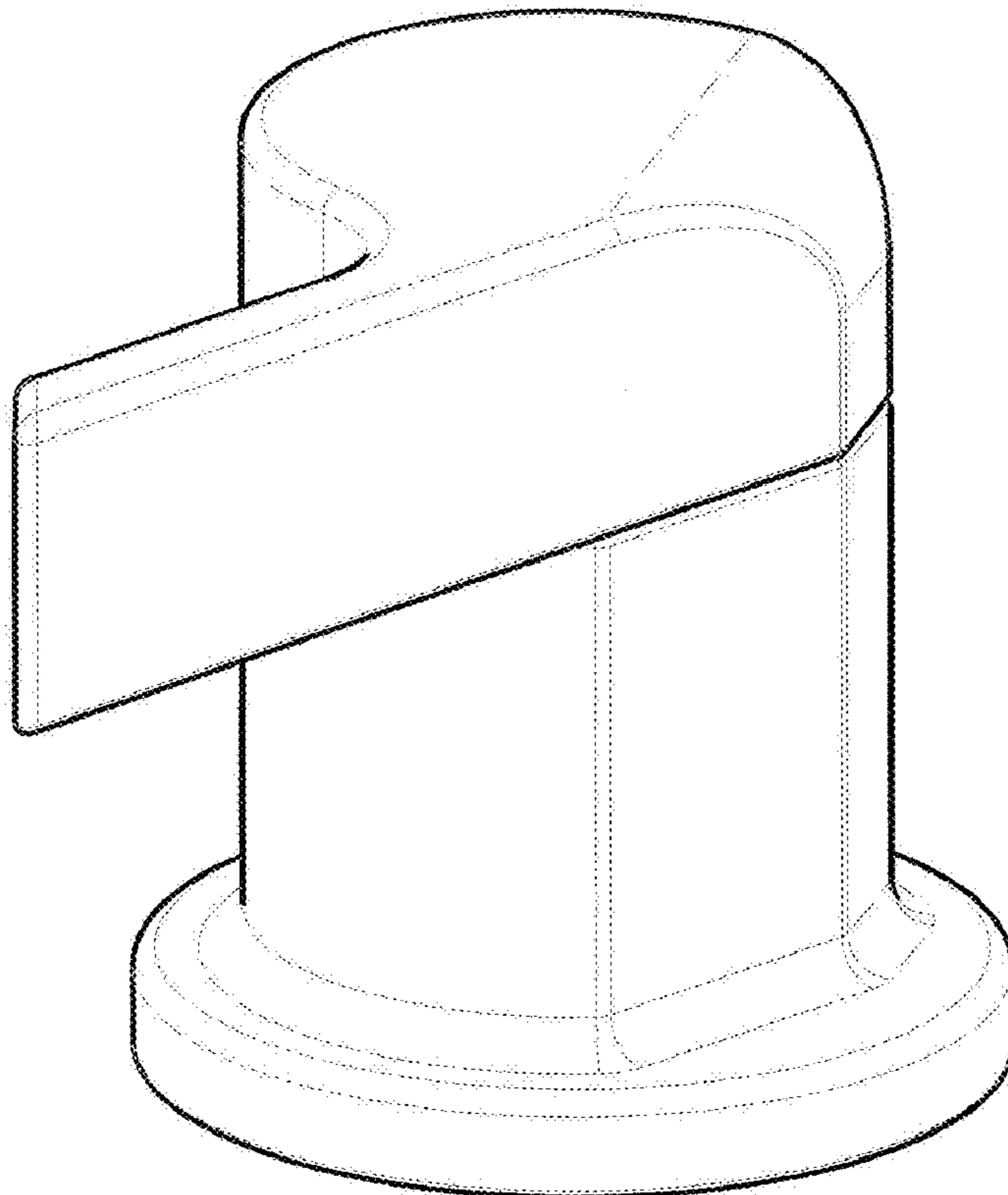
(57) **CLAIM**

The ornamental design for a faucet handle, as shown and  
described.

**DESCRIPTION**

FIG. 1 is a first perspective view of a faucet handle showing  
my new design;  
FIG. 2 is a second perspective view thereof;  
FIG. 3 is a front view thereof;  
FIG. 4 is a left side view thereof;  
FIG. 5 is a rear view thereof;  
FIG. 6 is a right side view thereof;  
FIG. 7 is a top plan view thereof; and,  
FIG. 8 is a bottom plan view thereof.

**1 Claim, 4 Drawing Sheets**



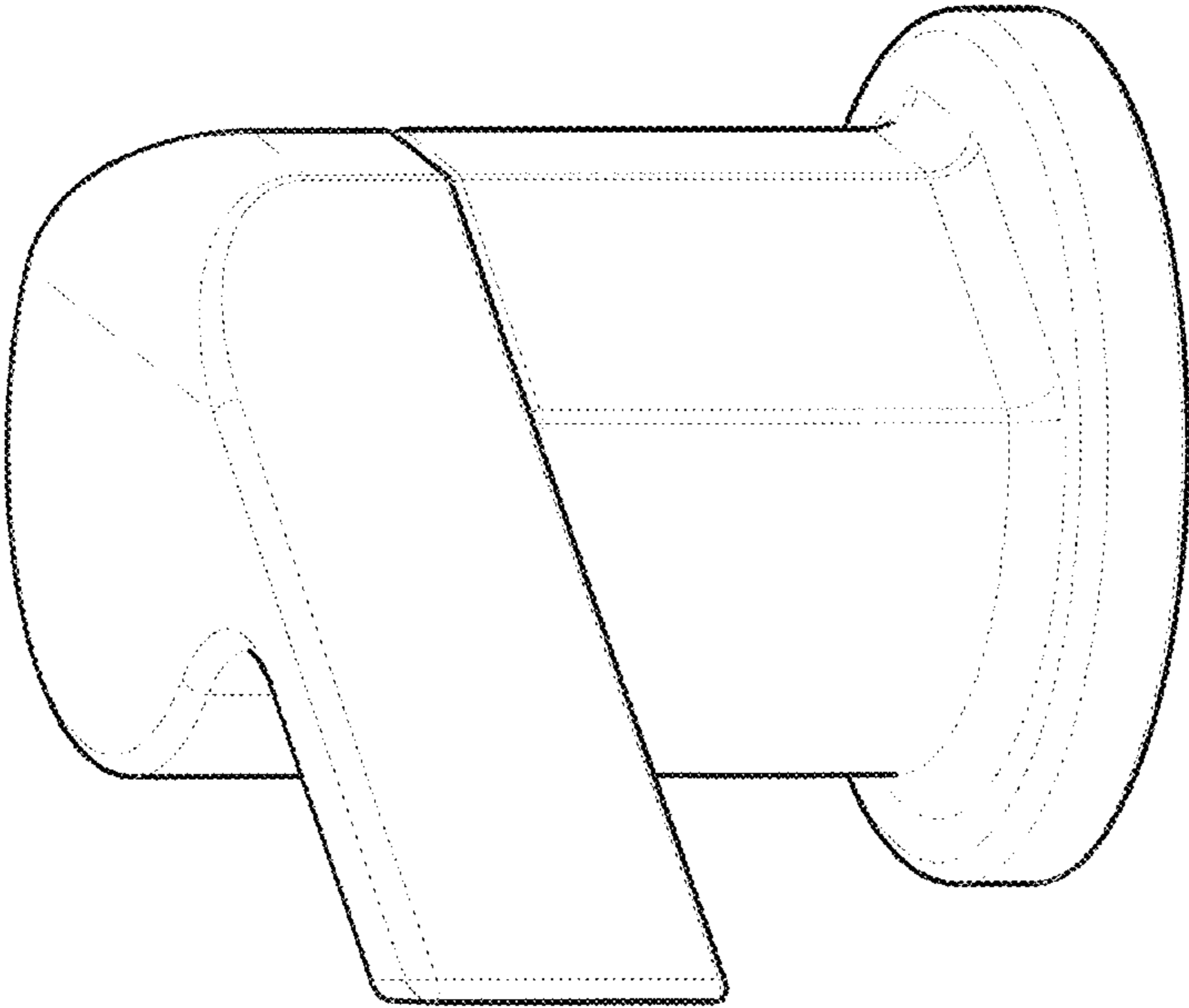


Fig. 1

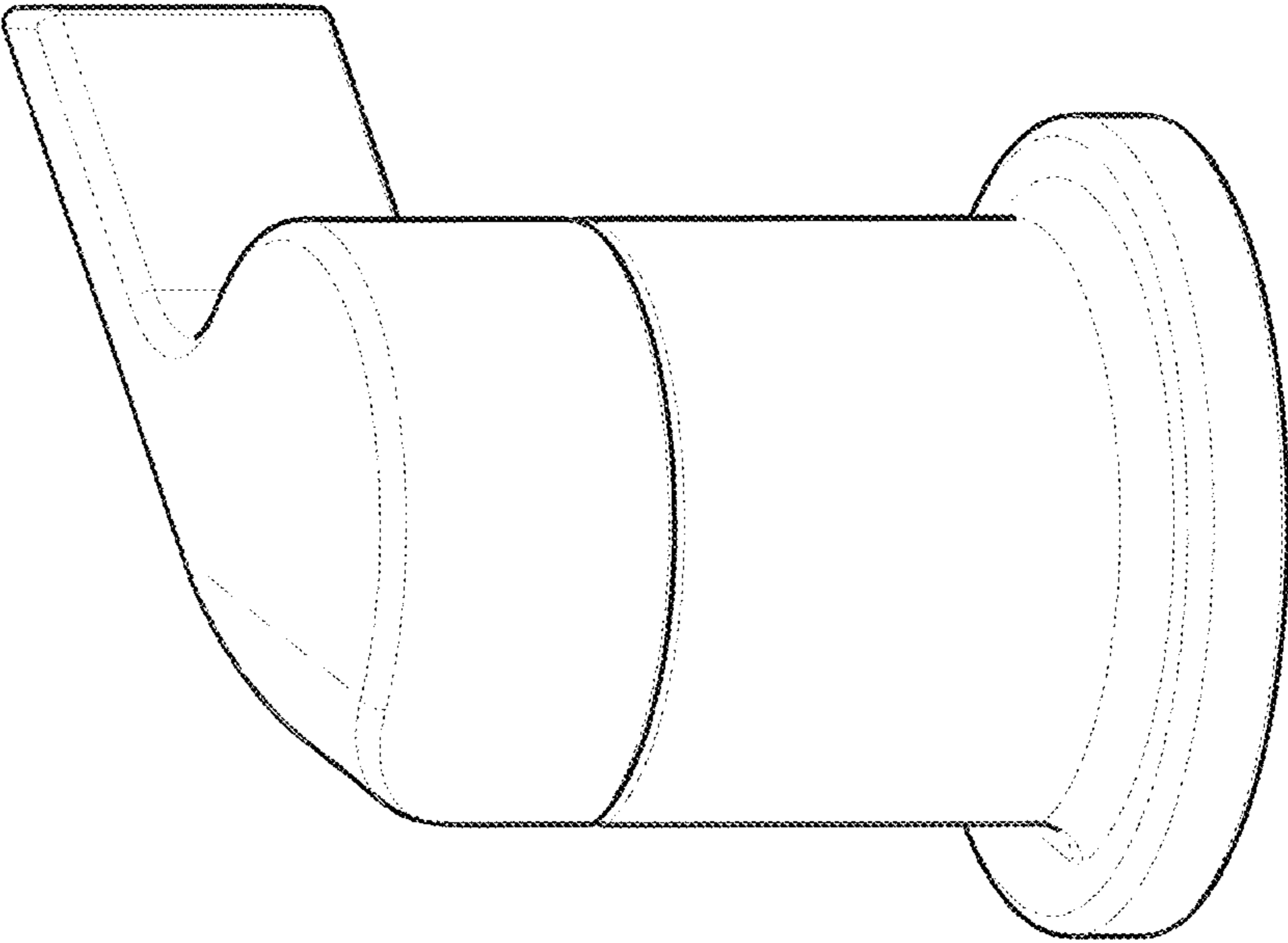


Fig. 2

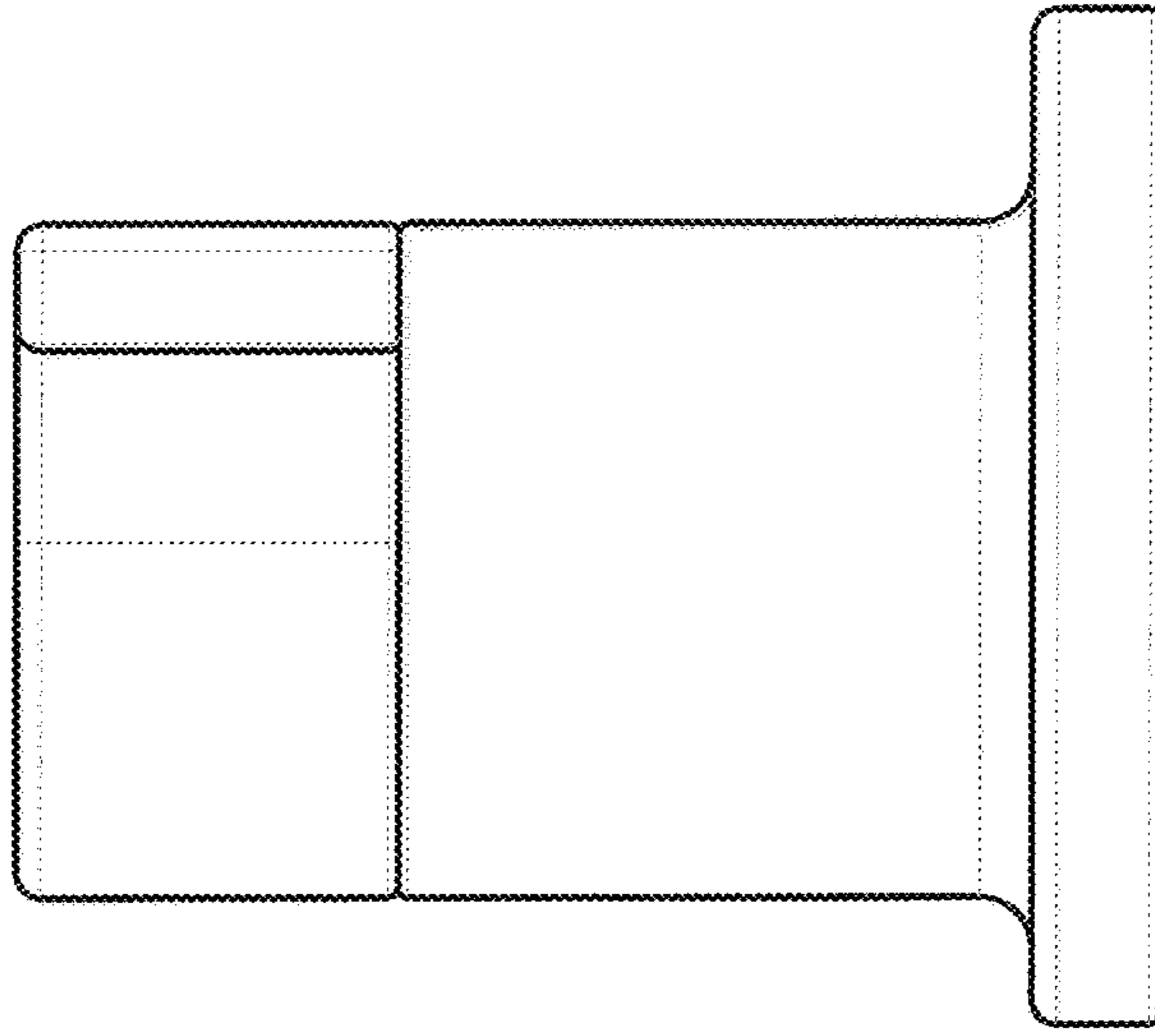


Fig. 3

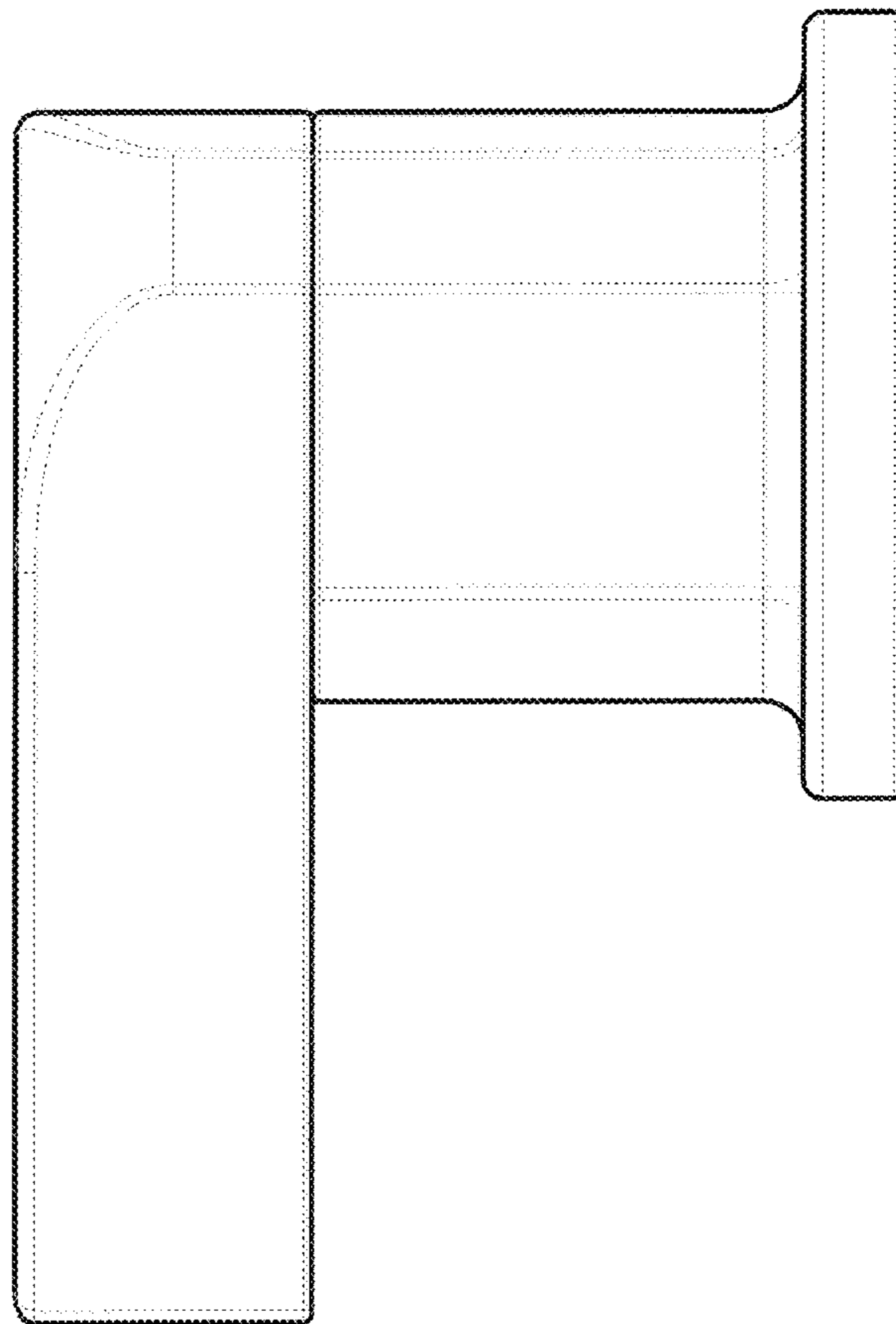


Fig. 4

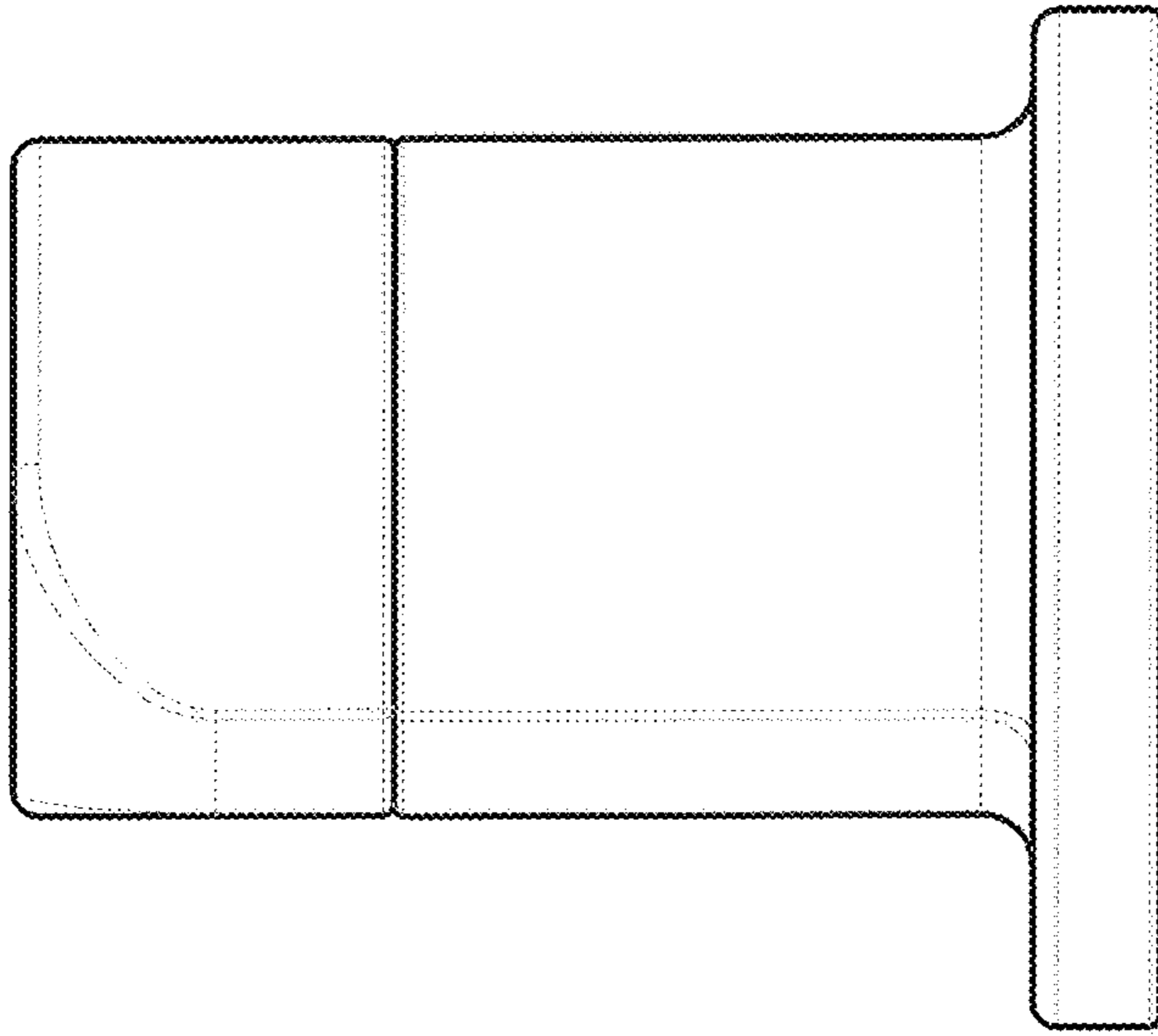


Fig. 5

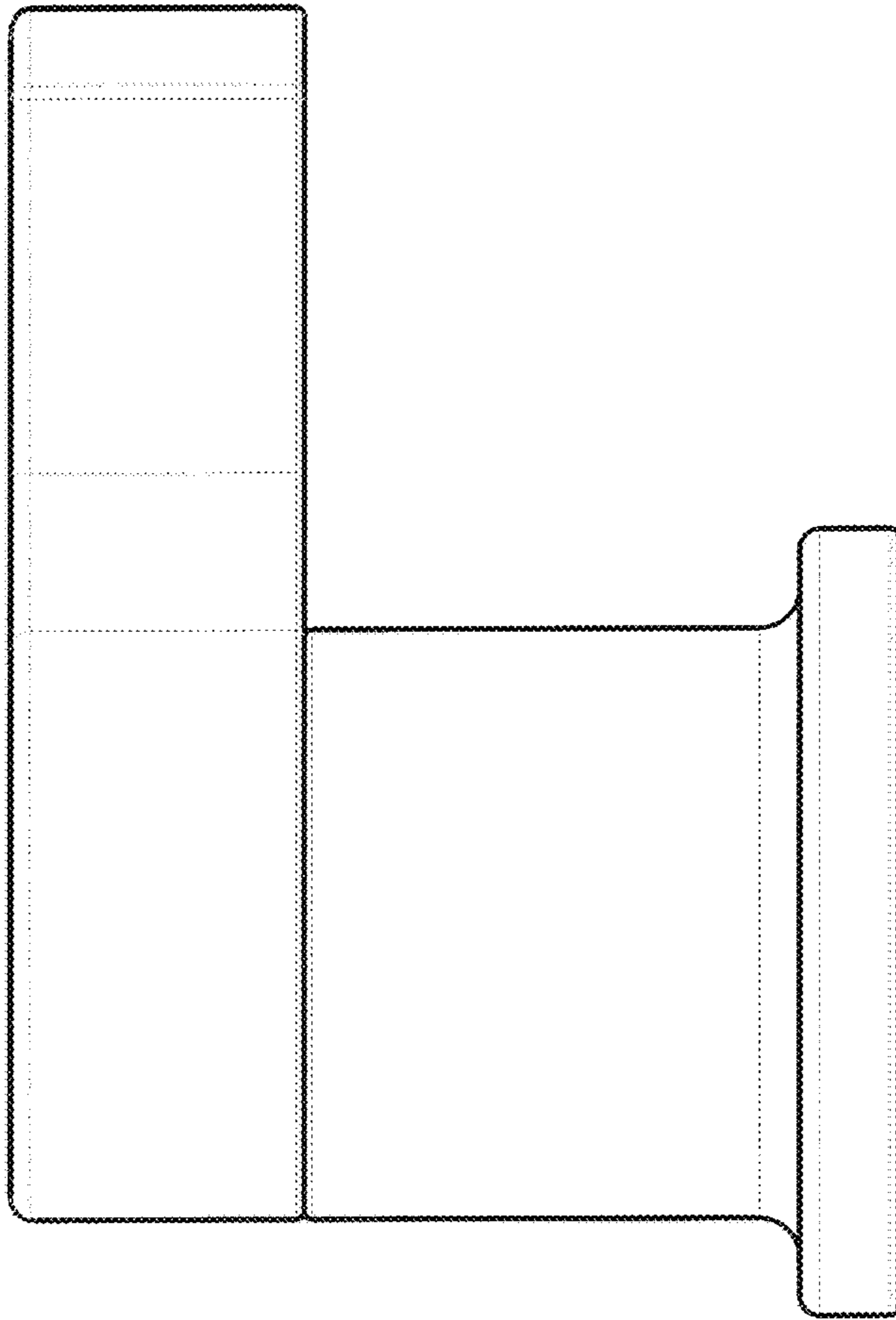


Fig. 6

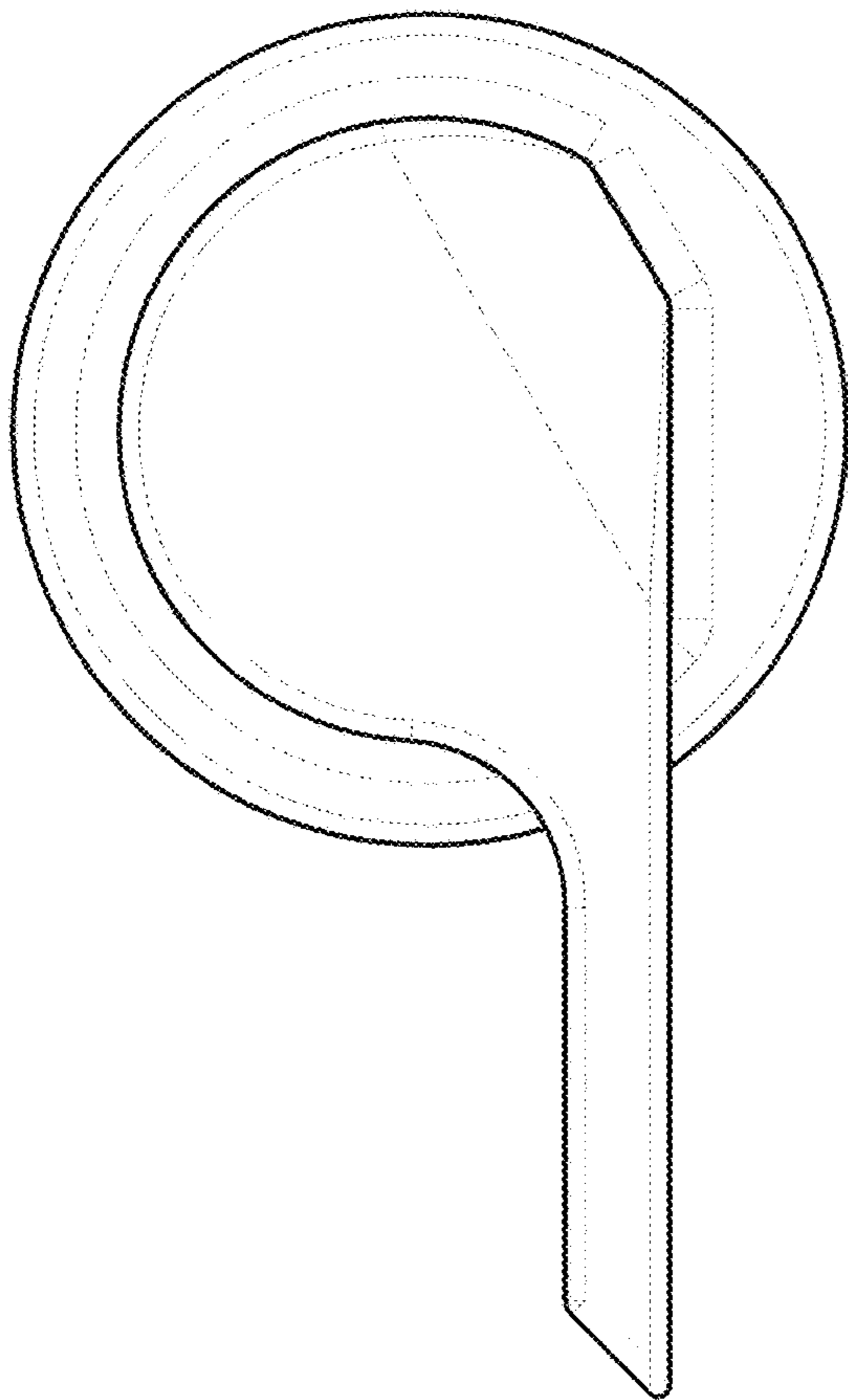


Fig. 7

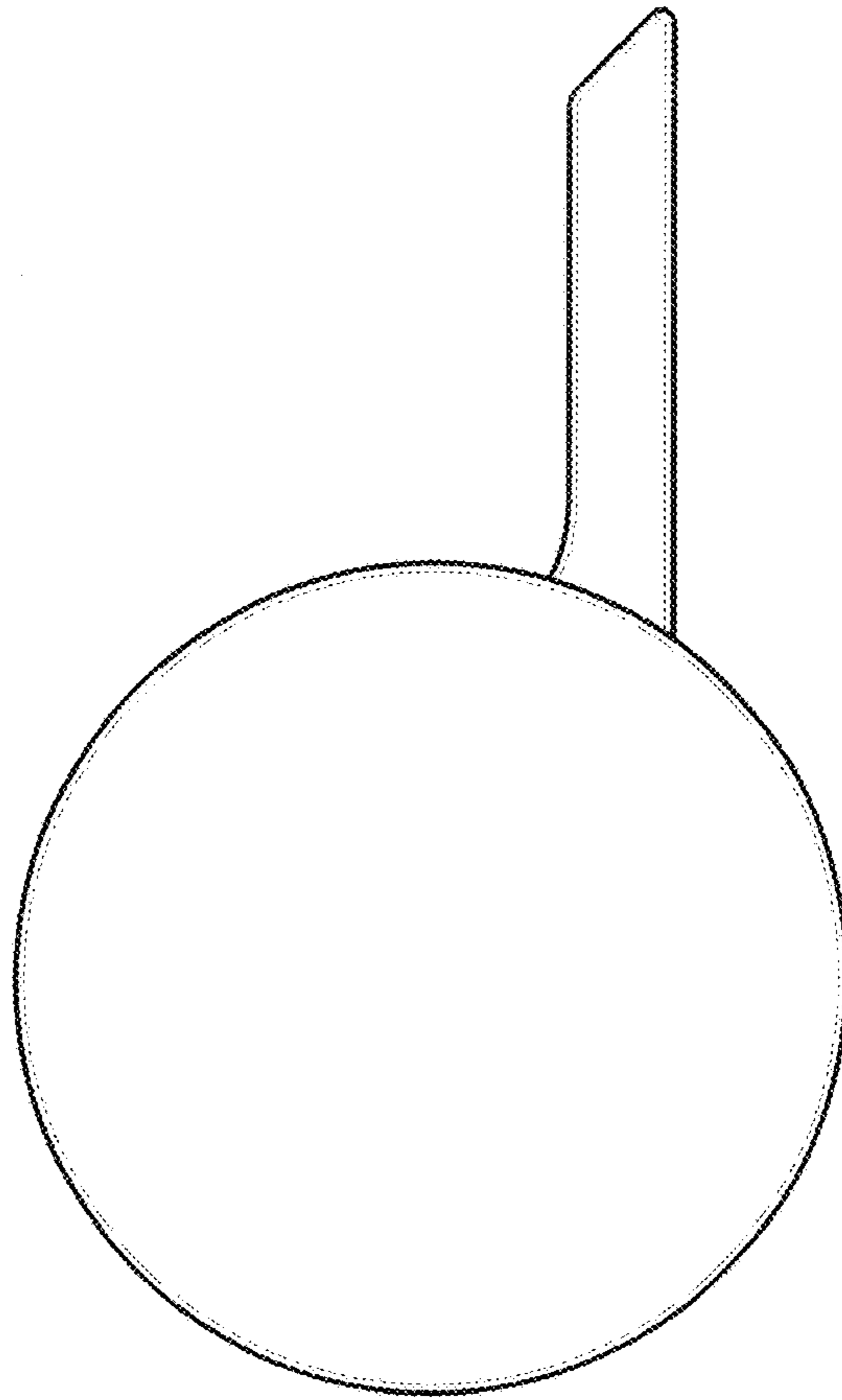


Fig. 8