



US00D857852S

(12) **United States Design Patent** (10) **Patent No.:** **US D857,852 S**  
**Shinozaki et al.** (45) **Date of Patent:** **\*\* Aug. 27, 2019**

(54) **CONTROL VALVE**  
 (71) Applicant: **SMC CORPORATION**, Tokyo (JP)  
 (72) Inventors: **Kenji Shinozaki**, Koshigaya (JP);  
**Kenji Moriyama**, Tsukubamirai (JP);  
**Tadaaki Saka**, Kashiwa (JP)  
 (73) Assignee: **SMC CORPORATION**, Tokyo (JP)  
 (\*\*) Term: **15 Years**

D616,068 S 5/2010 Collins  
 D701,945 S 4/2014 Mitsuoka  
 D724,181 S 3/2015 Condon et al.  
 D753,268 S 4/2016 Nishimura  
 9,453,587 B2 9/2016 Igarashi et al.  
 D787,026 S 5/2017 Filer  
 9,651,162 B2 5/2017 Hirai  
 9,778,128 B2 10/2017 Imai et al.  
 9,803,767 B2 10/2017 Hasunuma et al.  
 D822,173 S 7/2018 Yung

(21) Appl. No.: **29/685,457**  
 (22) Filed: **Mar. 28, 2019**

**Related U.S. Application Data**

(62) Division of application No. 29/637,894, filed on Feb. 22, 2018.

**Foreign Application Priority Data**

Sep. 8, 2017 (CN) ..... 2017 3 0423982

(51) **LOC (12) Cl.** ..... **23-01**

(52) **U.S. Cl.**  
 USPC ..... **D23/245**

(58) **Field of Classification Search**  
 USPC ..... D23/233, 235, 237, 241–249, 262–264,  
 D23/252; 137/625.4, 636.3, 636.2, 454.6,  
 137/14, 531, 315.18, 533.11; 251/285,  
 251/315.12  
 CPC ..... F16K 7/17; F16K 11/0876; F16K 11/0782  
 See application file for complete search history.

(56) **References Cited**

**U.S. PATENT DOCUMENTS**

D522,618 S 6/2006 Matsushita  
 D609,306 S 2/2010 Moriyama  
 D609,307 S 2/2010 Moriyama

**FOREIGN PATENT DOCUMENTS**

JP D1111854 S 6/2001  
 JP D1210770 S 7/2004  
 JP D1210771 S 7/2004  
 JP D1464629 S 3/2013  
 JP D1477130 S 8/2013

*Primary Examiner* — Cynthia Ramirez

*Assistant Examiner* — Gino Colan

(74) *Attorney, Agent, or Firm* — Birch, Stewart, Kolasch & Birch, LLP

(57) **CLAIM**

The ornamental design for a control valve, as shown and described.

**DESCRIPTION**

FIG. 1 is a front, top and right side perspective view of a control valve showing our new design;  
 FIG. 2 is a rear, bottom and left side perspective view thereof;  
 FIG. 3 is a front view thereof;  
 FIG. 4 is a rear view thereof;  
 FIG. 5 is a top plan view thereof;  
 FIG. 6 is a bottom plan view thereof;  
 FIG. 7 is a left side view thereof; and,  
 FIG. 8 is a right side view thereof.  
 The broken lines depict portions of the control valve that form no part of the claimed design.

**1 Claim, 8 Drawing Sheets**

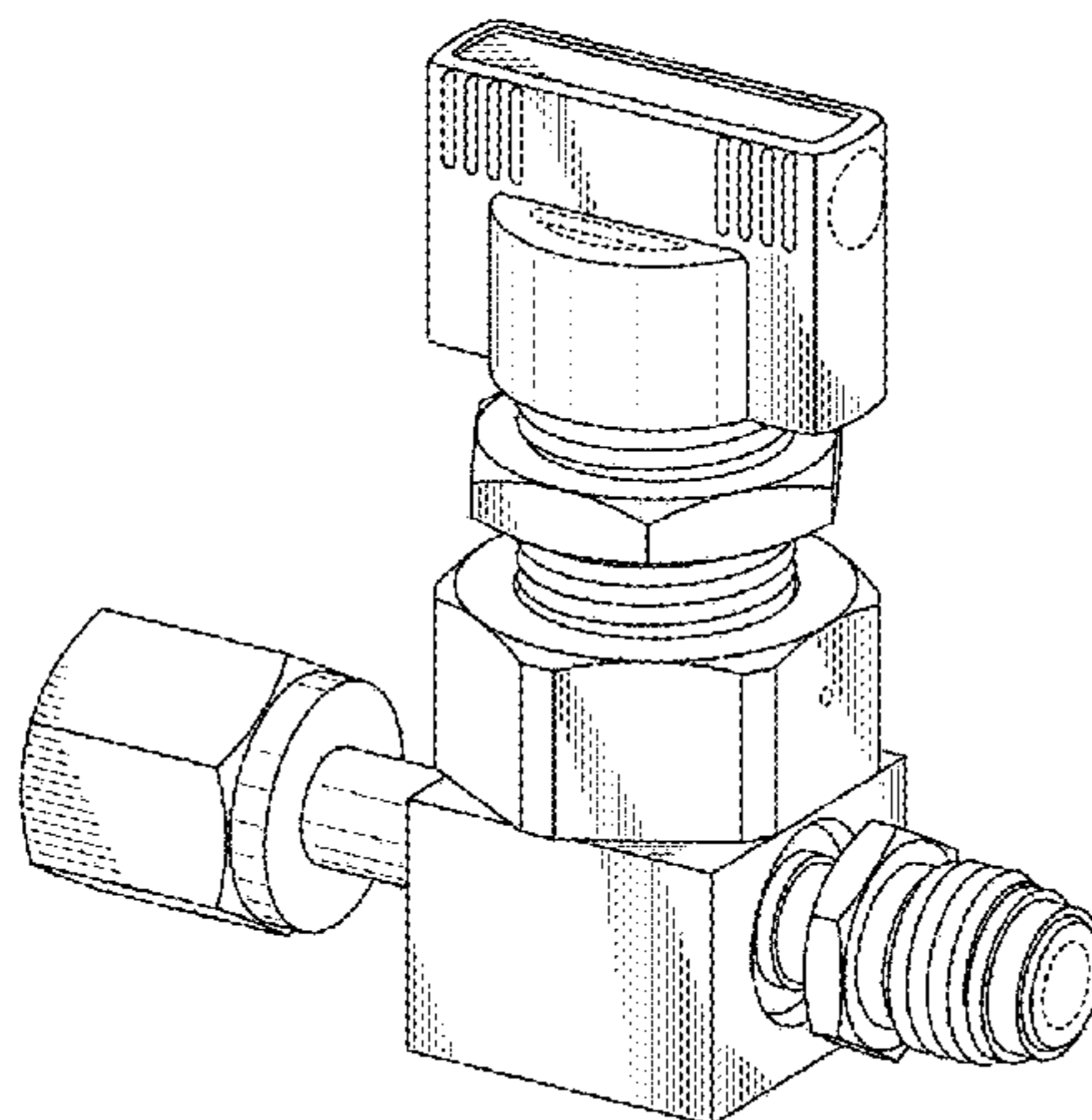


FIG. 1

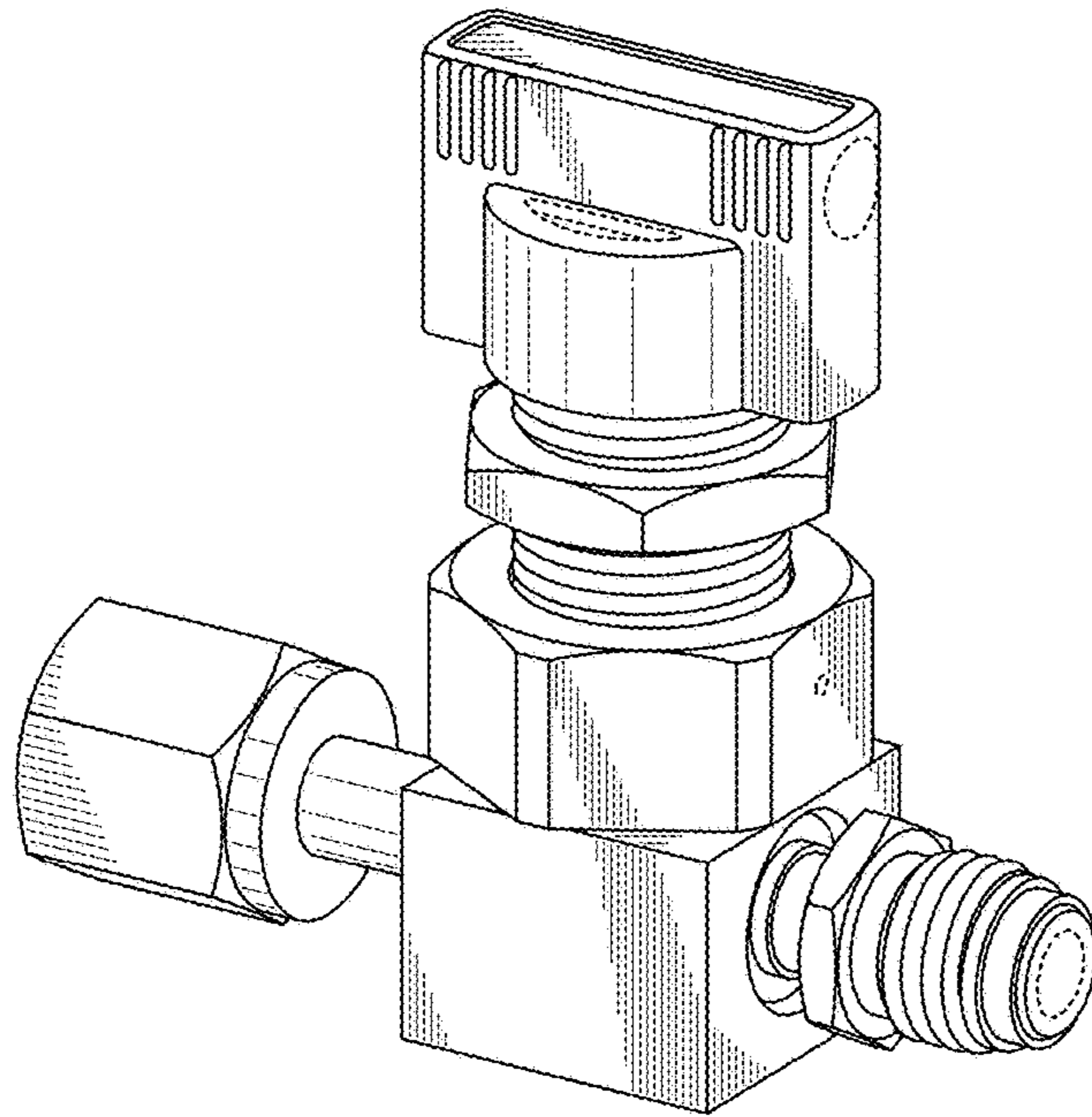


FIG. 2

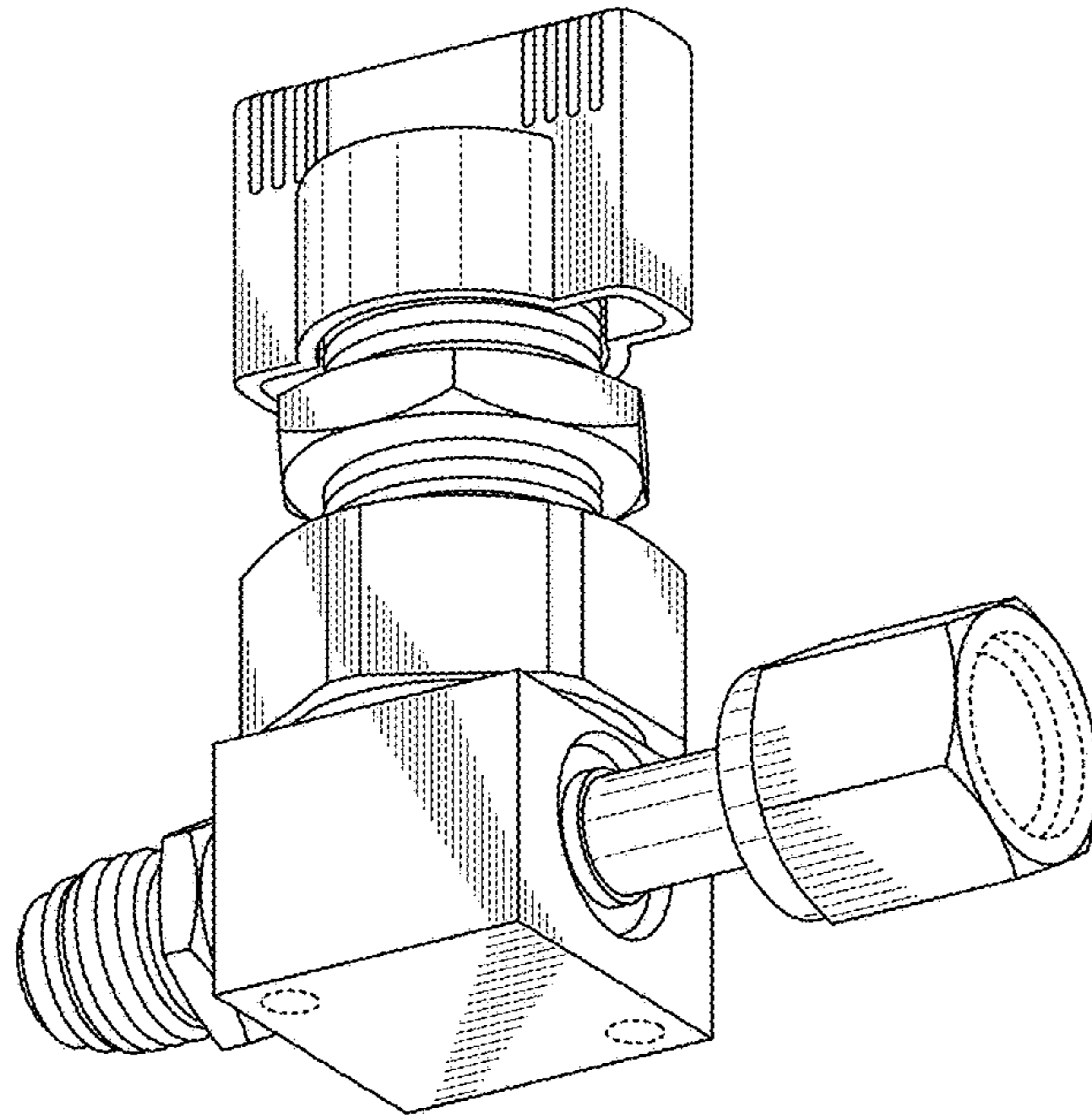


FIG. 3

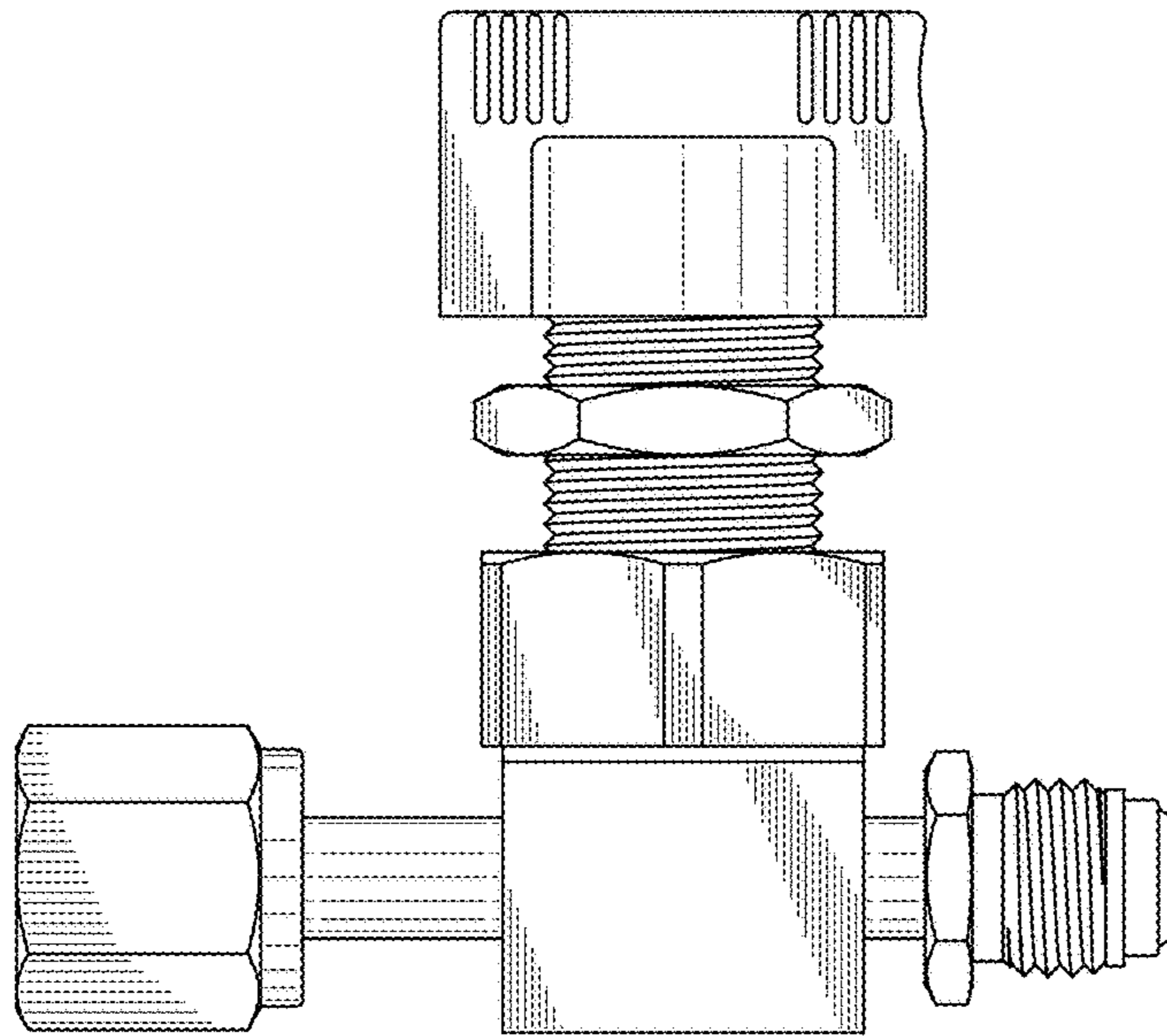


FIG. 4

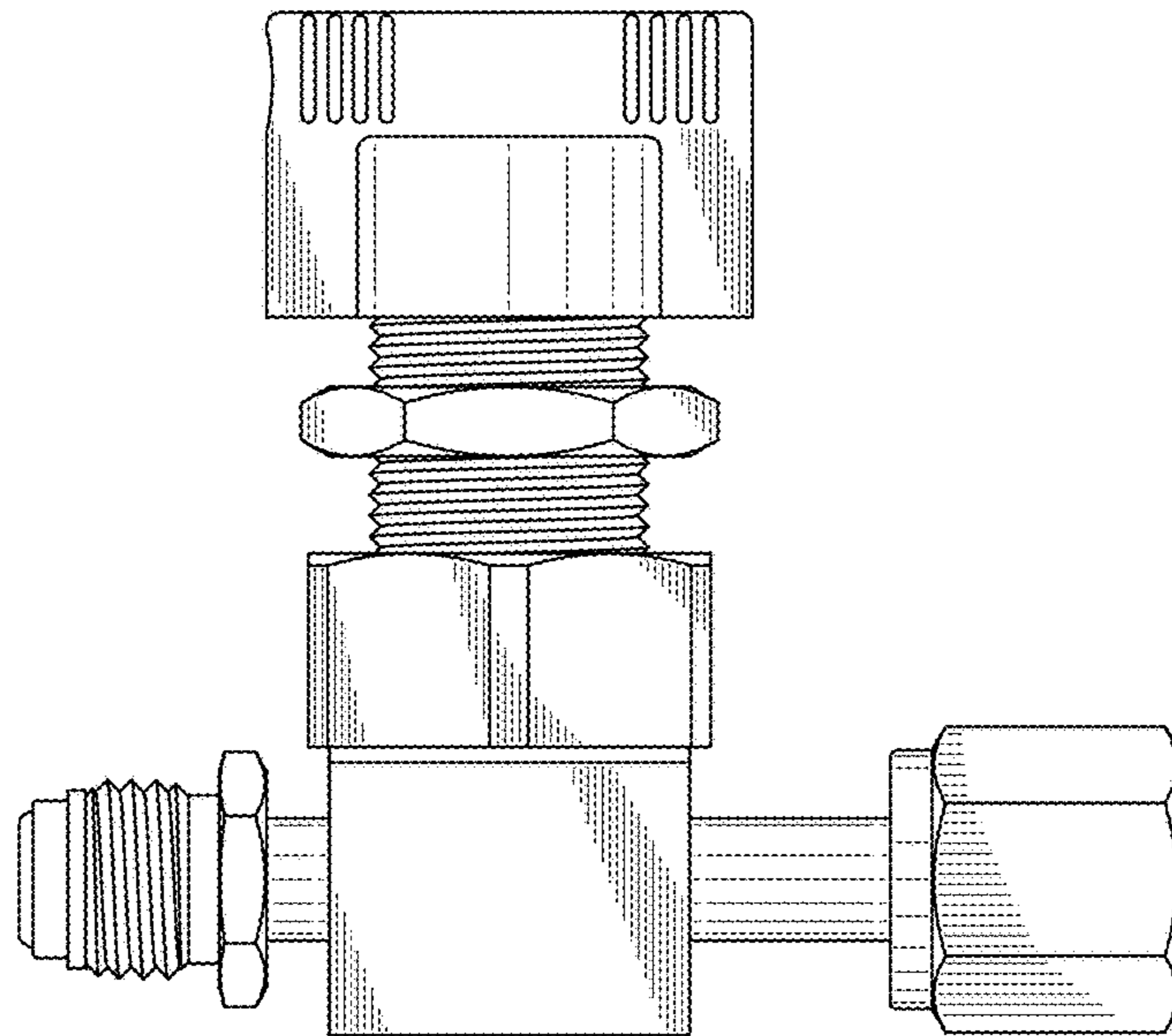


FIG. 5

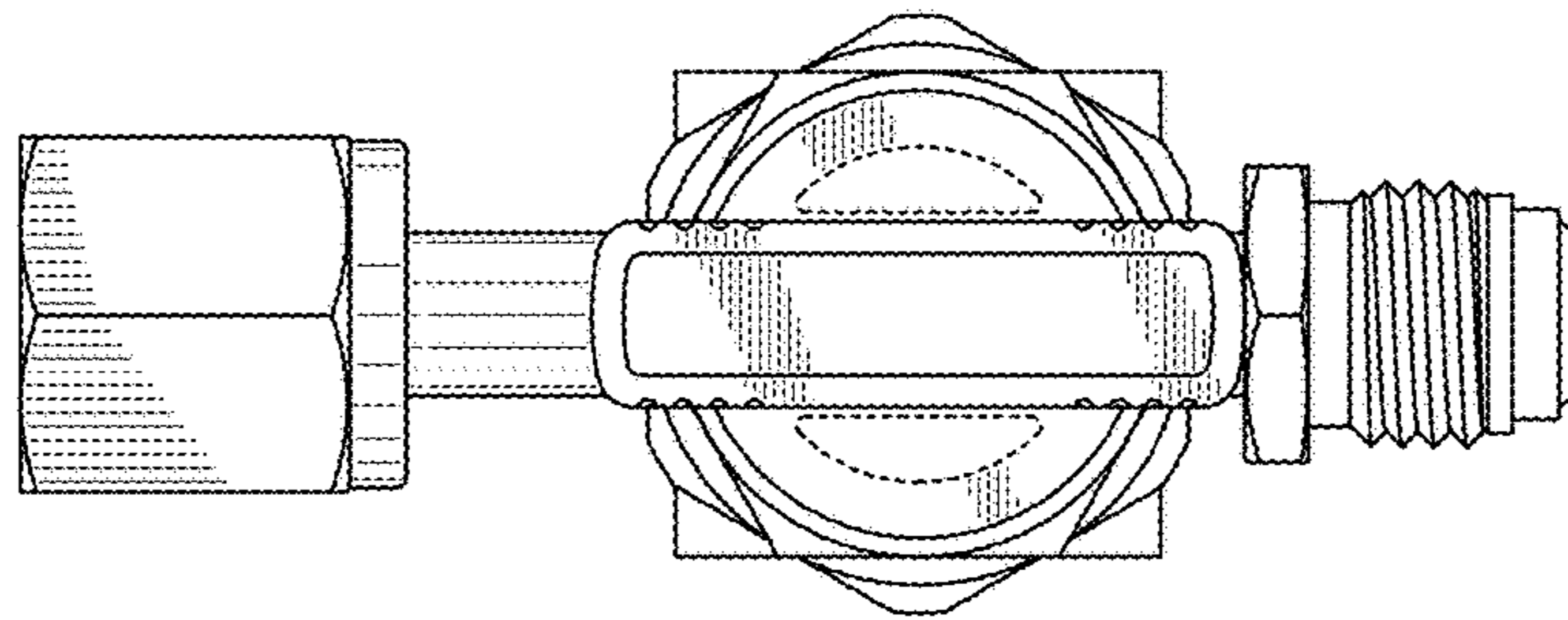


FIG. 6

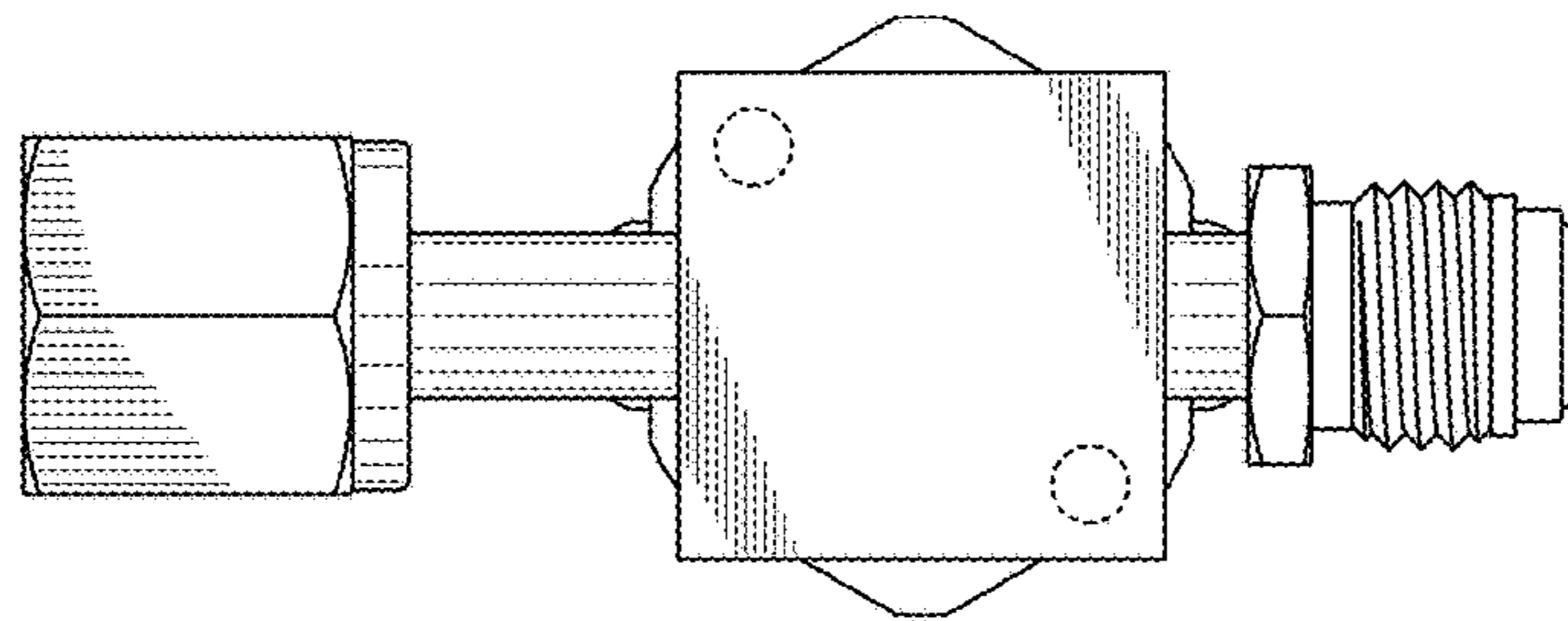


FIG. 7

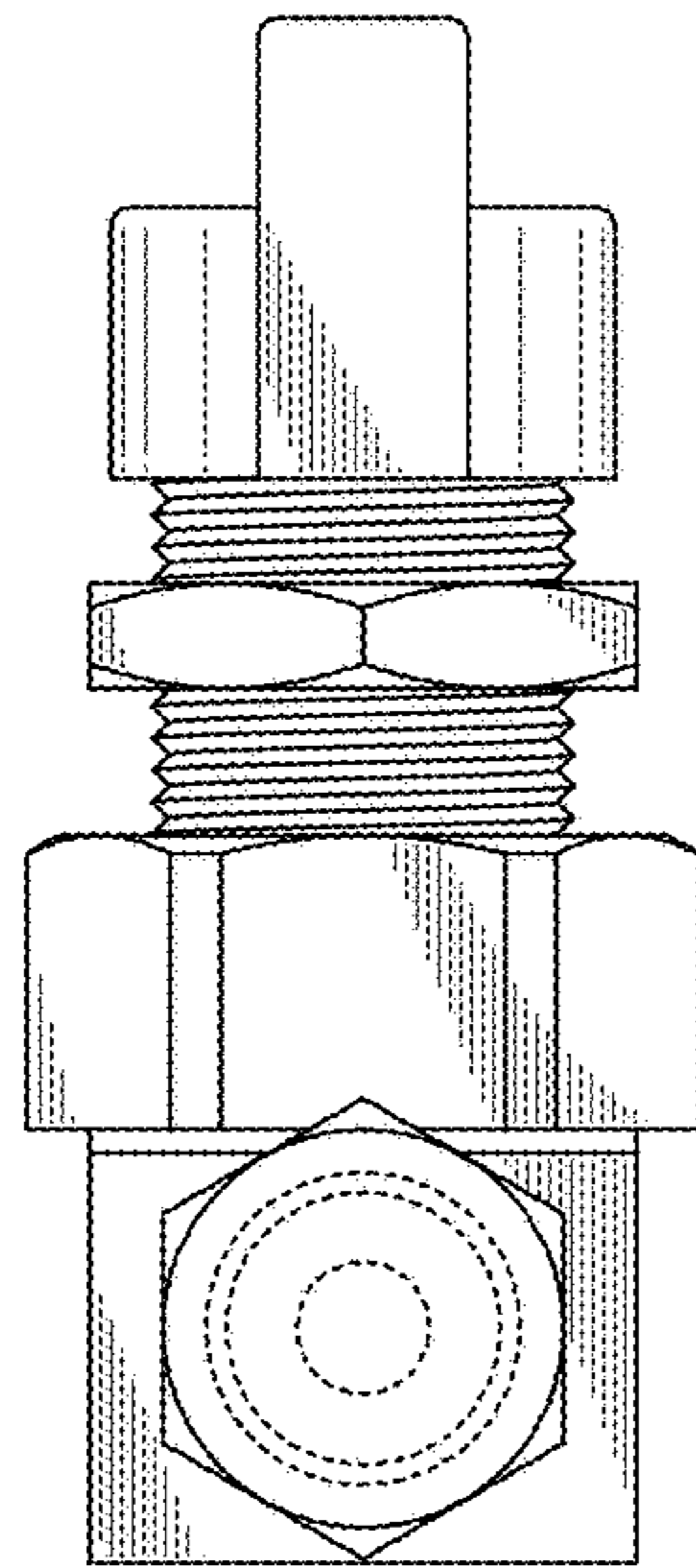




FIG. 8

