



US00D857851S

(12) **United States Design Patent** (10) **Patent No.:** **US D857,851 S**
Shinozaki et al. (45) **Date of Patent:** **** Aug. 27, 2019**

(54) **CONTROL VALVE**
 (71) Applicant: **SMC CORPORATION**, Tokyo (JP)
 (72) Inventors: **Kenji Shinozaki**, Koshigaya (JP);
Kenji Moriyama, Tsukubamirai (JP);
Tadaaki Saka, Kashiwa (JP)
 (73) Assignee: **SMC CORPORATION**, Tokyo (JP)

D616,068 S 5/2010 Collins
 D701,945 S 4/2014 Mitsuoka
 D724,181 S 3/2015 Condon et al.
 D753,268 S 4/2016 Nishimura
 9,453,587 B2 9/2016 Igarashi et al.
 D787,026 S 5/2017 Filer
 9,651,162 B2 5/2017 Hirai
 9,778,128 B2 10/2017 Imai et al.
 9,803,767 B2 10/2017 Hasunuma et al.
 D822,173 S 7/2018 Yung

(**) Term: **15 Years**
 (21) Appl. No.: **29/685,450**
 (22) Filed: **Mar. 28, 2019**

FOREIGN PATENT DOCUMENTS

JP D1111854 S 6/2001
 JP D1210770 S 7/2004
 JP D1210771 S 7/2004
 JP D1464629 S 3/2013
 JP D1477130 S 8/2013

Related U.S. Application Data

(62) Division of application No. 29/637,894, filed on Feb. 22, 2018.

Primary Examiner — Cynthia Ramirez

Assistant Examiner — Gino Colan

(74) *Attorney, Agent, or Firm* — Birch, Stewart, Kolasch & Birch, LLP

(30) **Foreign Application Priority Data**

Sep. 8, 2017 (CN) 2017 3 0423982

(51) **LOC (12) Cl.** **23-01**

(52) **U.S. Cl.**
USPC **D23/245**

(58) **Field of Classification Search**
 USPC D23/233, 235, 237, 241–249, 262–264;
 137/625.4, 636.3, 636.2, 454.6, 14, 531,
 137/315.18, 533.11; 251/314, 315.12
 CPC F16K 7/17; F16K 11/0876; F16K 11/0782;
 F16K 27/067
 See application file for complete search history.

(57) **CLAIM**

The ornamental design for a control valve, as shown and described.

DESCRIPTION

FIG. 1 is a front, top and right side perspective view of a control valve showing our new design;
 FIG. 2 is a rear, bottom and left side perspective view thereof;
 FIG. 3 is a front view thereof;
 FIG. 4 is a rear view thereof;
 FIG. 5 is a top plan view thereof;
 FIG. 6 is a bottom plan view thereof;
 FIG. 7 is a left side view thereof; and,
 FIG. 8 is a right side view thereof.
 The broken lines depict portions of the control valve that form no part of the claimed design.

(56) **References Cited**

U.S. PATENT DOCUMENTS

D522,618 S 6/2006 Matsushita
 D609,306 S 2/2010 Moriyama
 D609,307 S 2/2010 Moriyama

1 Claim, 8 Drawing Sheets

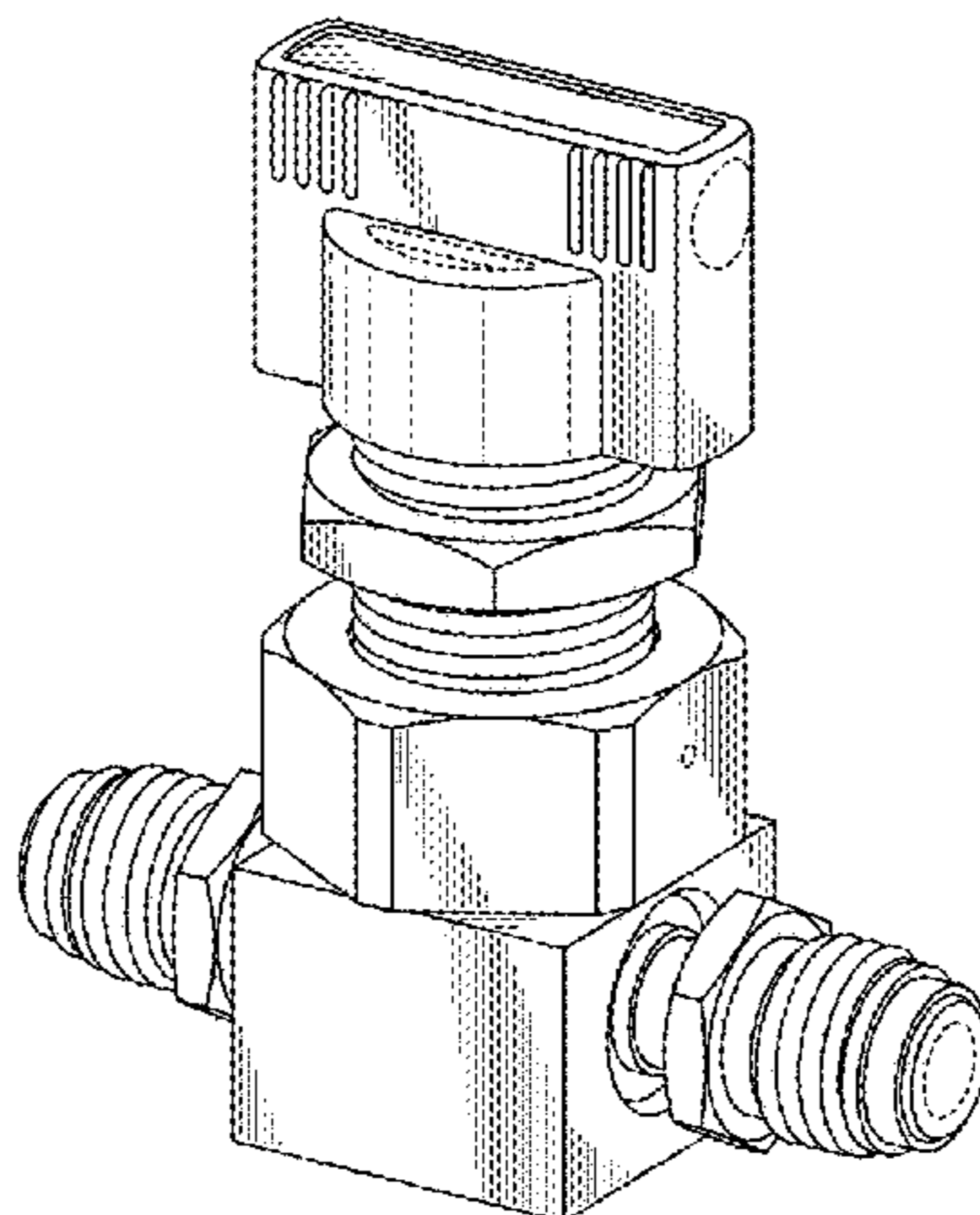


FIG. 1

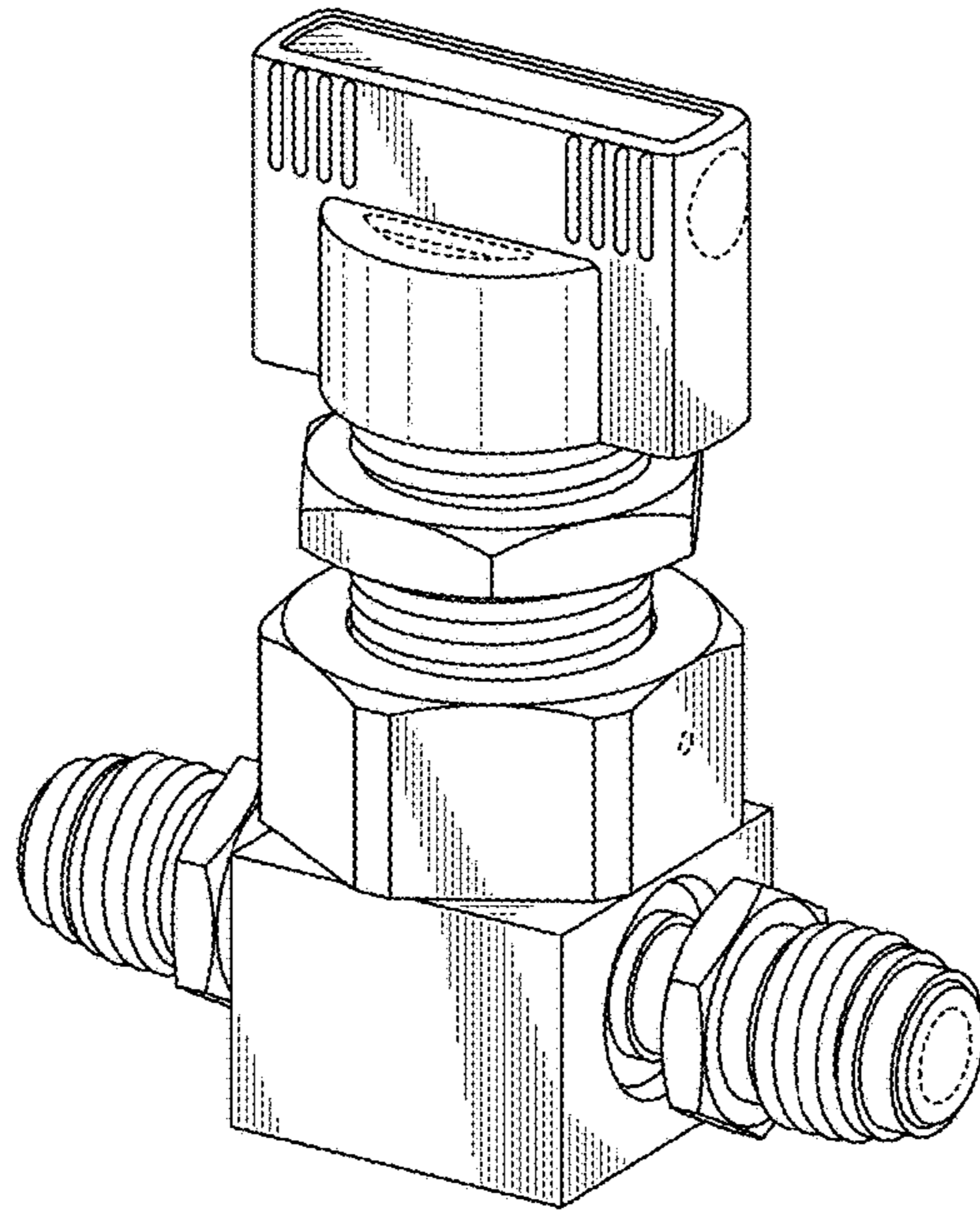


FIG. 2

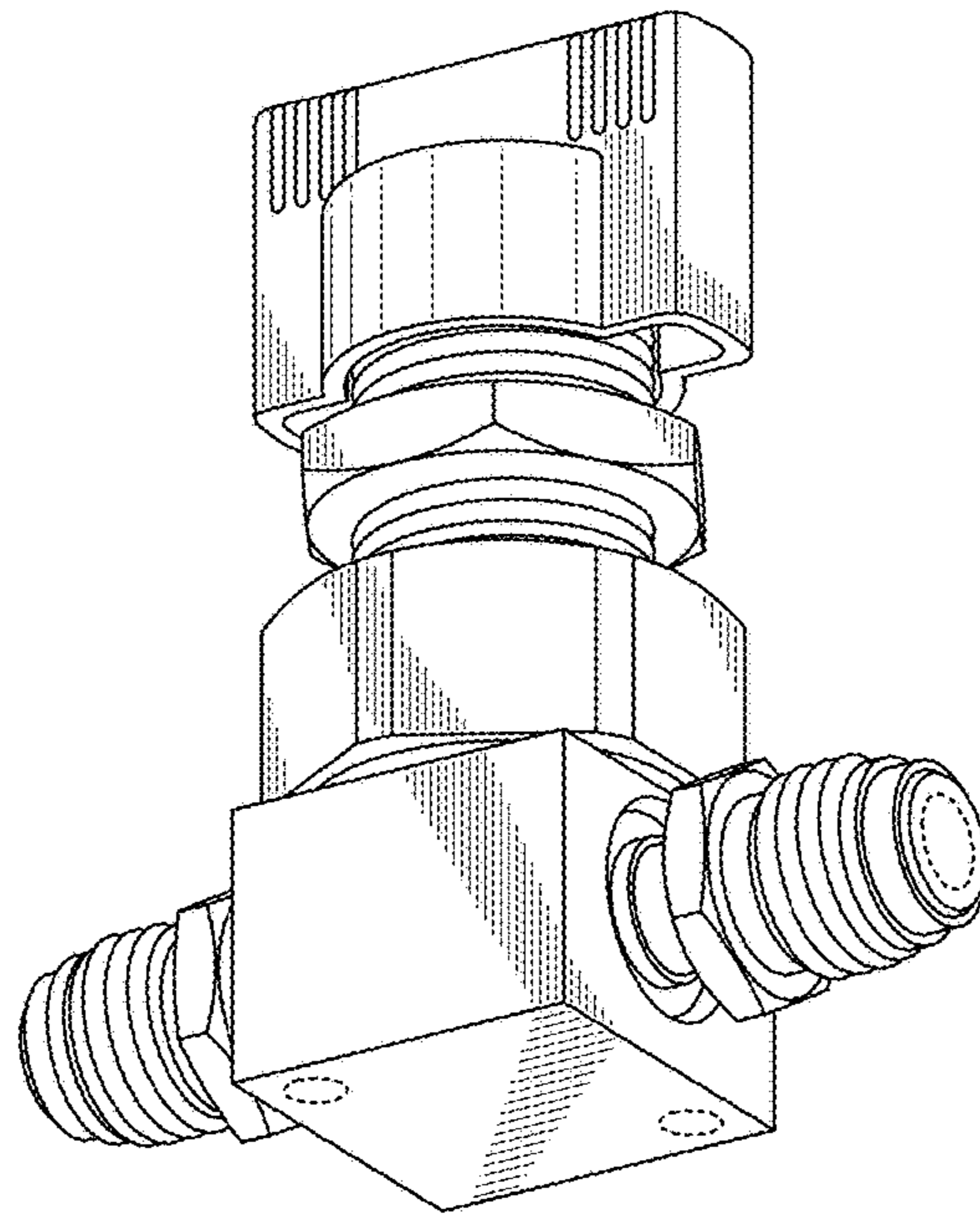


FIG. 3

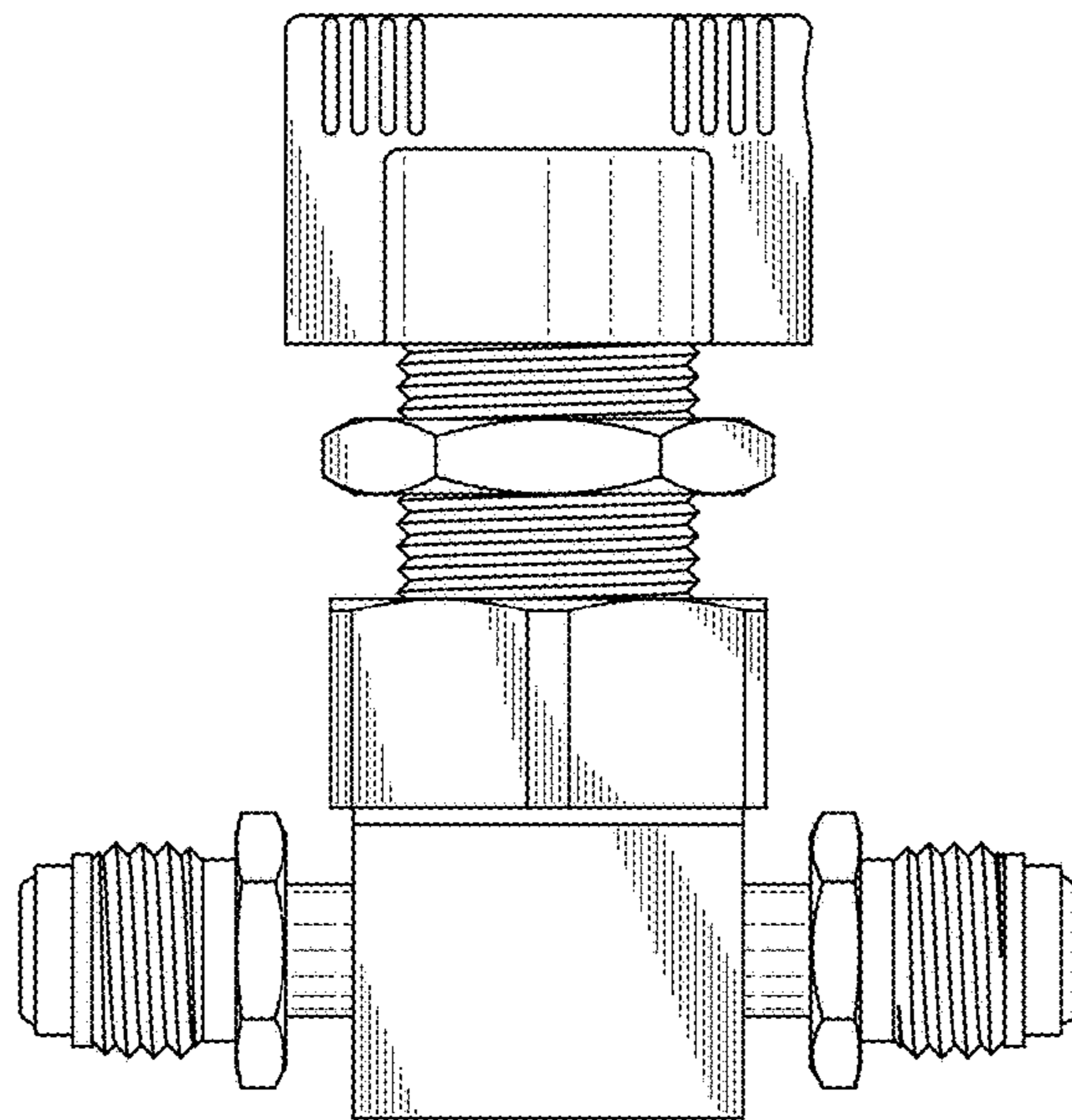


FIG. 4

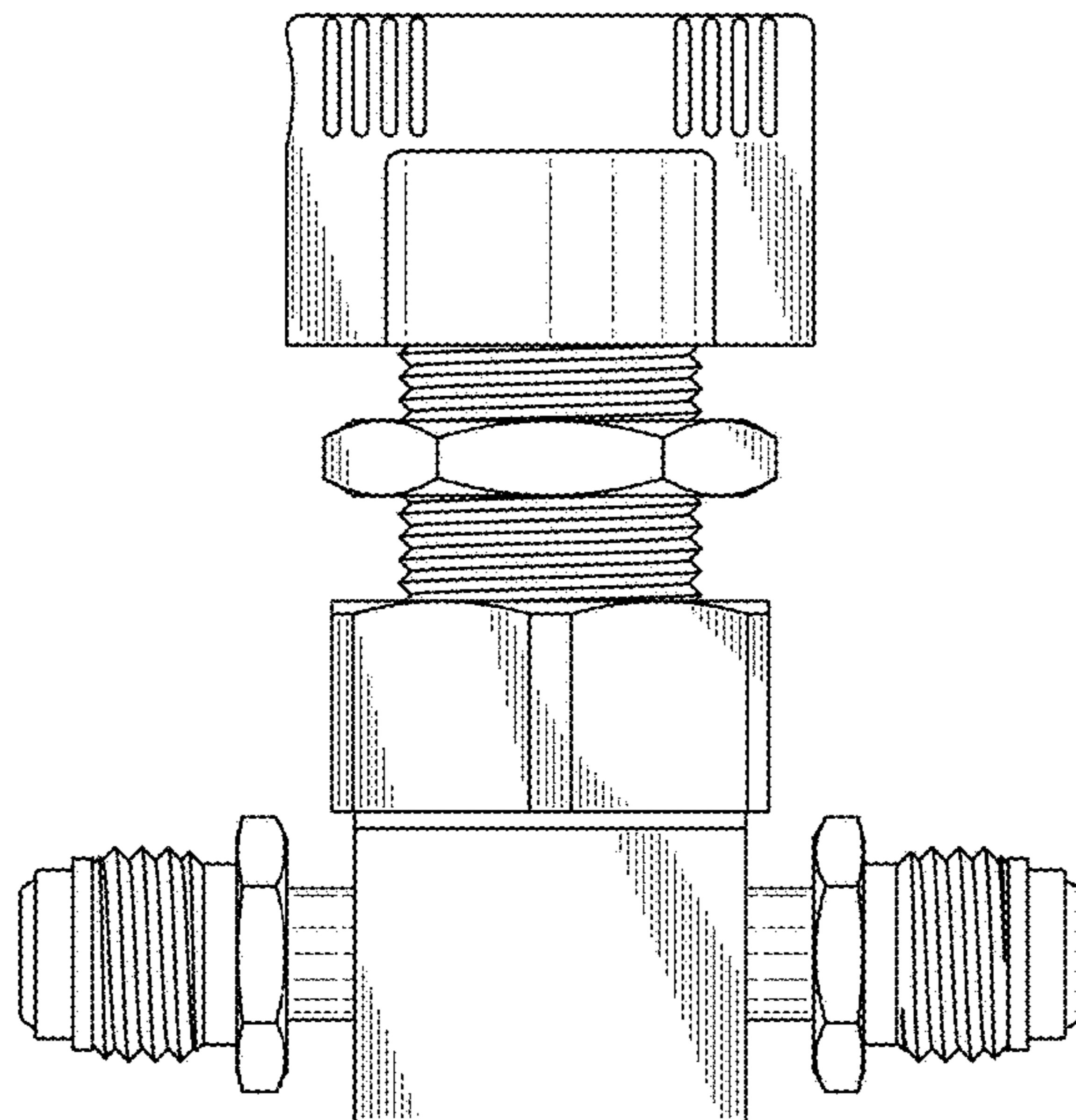


FIG. 5

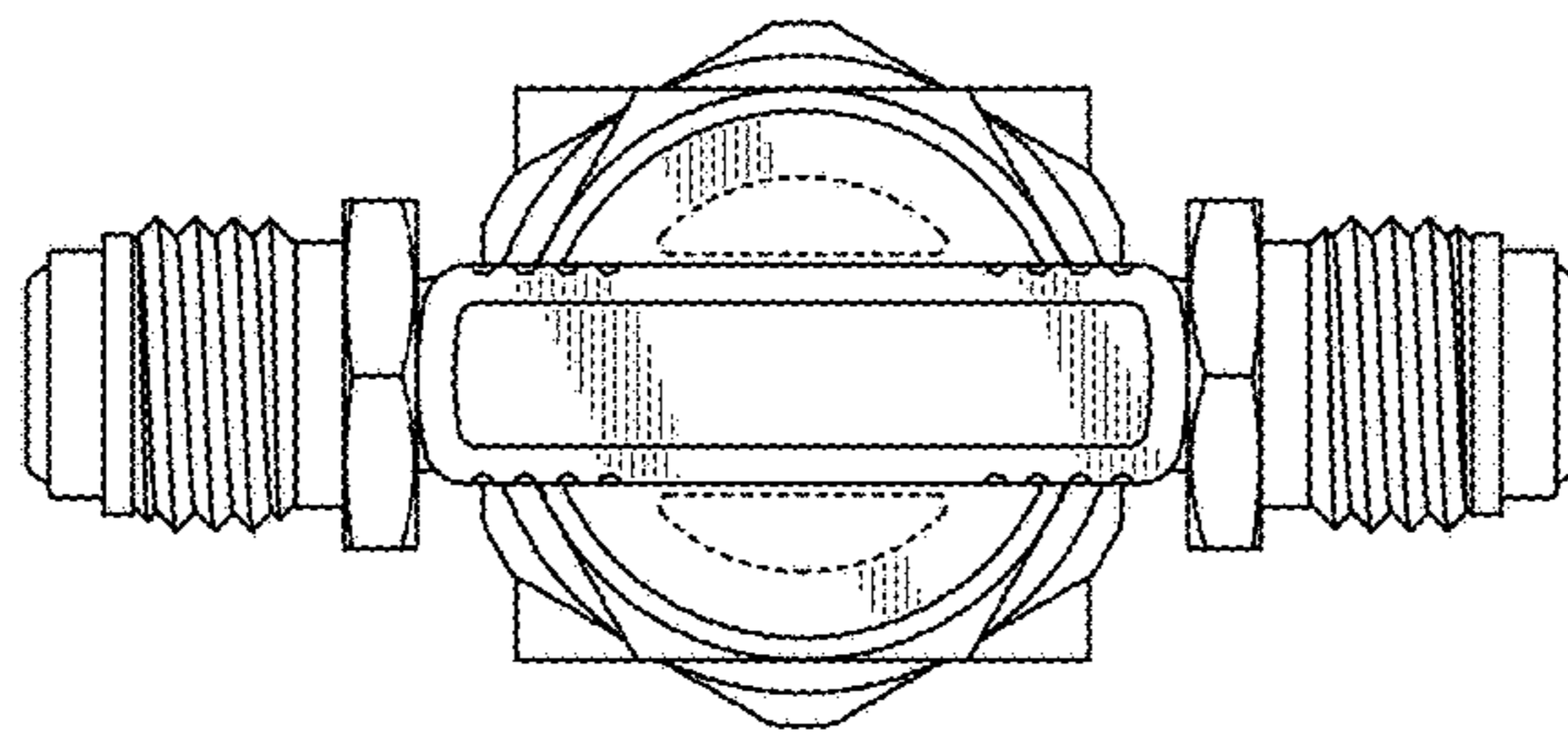


FIG. 6

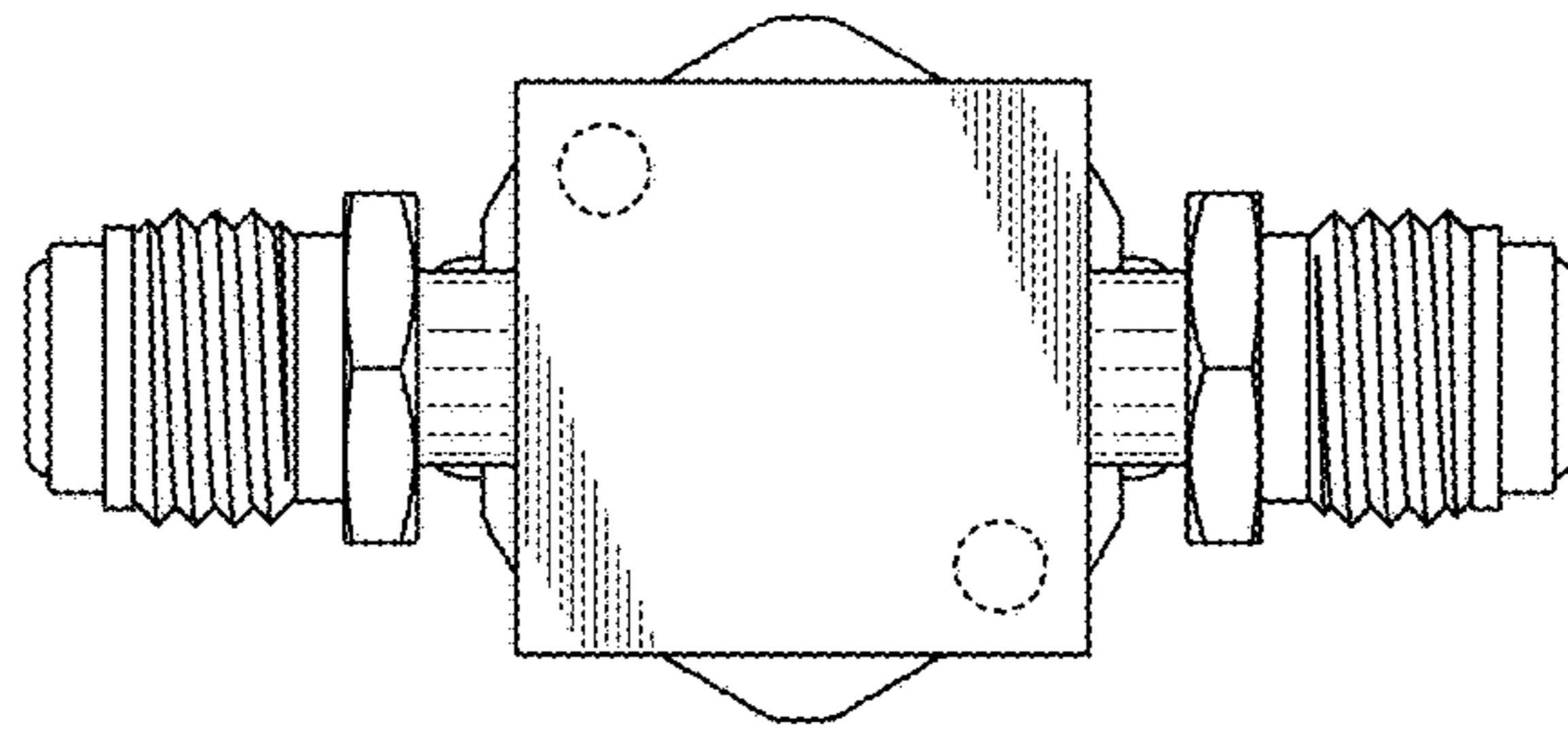


FIG. 7

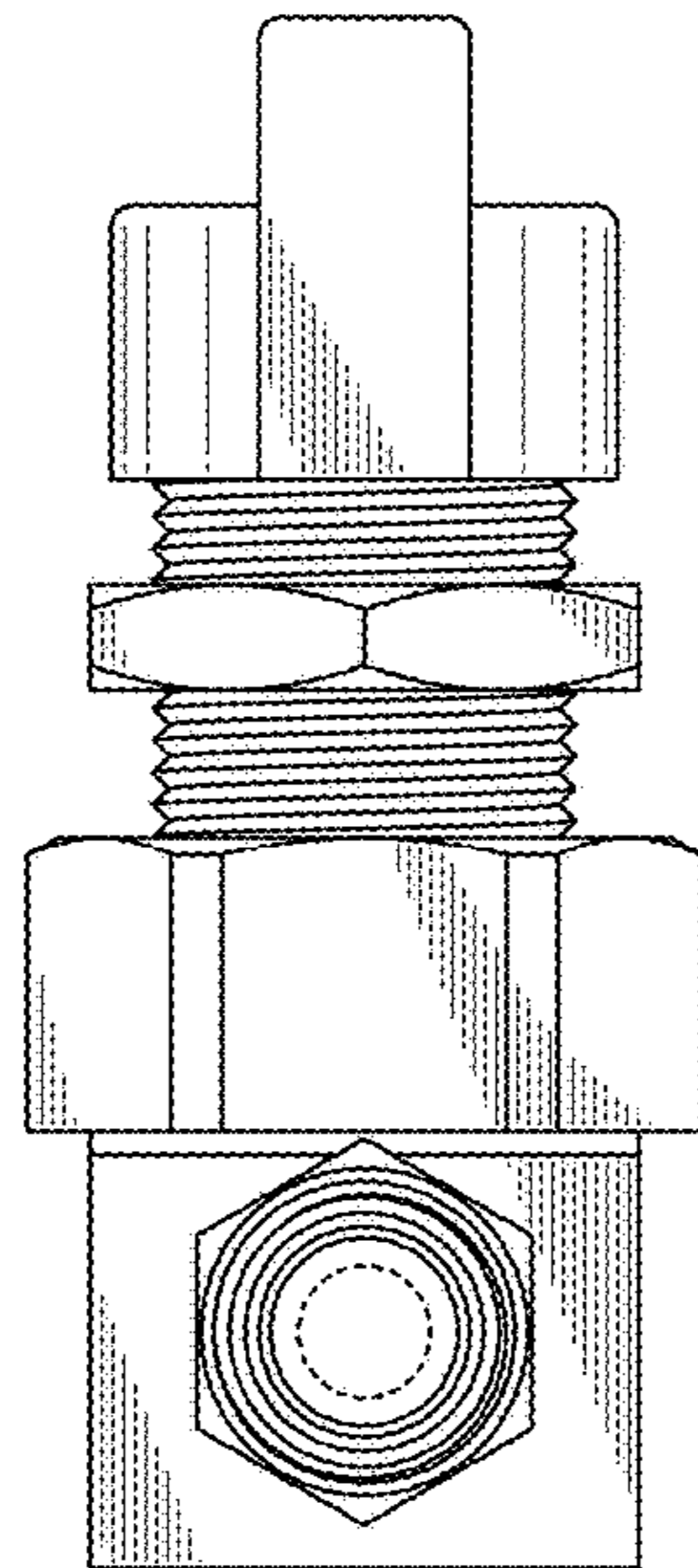


FIG. 8

