



US00D857850S

(12) **United States Design Patent**  
**Bahler**

(10) **Patent No.:** **US D857,850 S**

(45) **Date of Patent:** **\*\* Aug. 27, 2019**

(54) **FAUCET**

D524,914 S \* 7/2006 Chu ..... D23/241  
D694,369 S \* 11/2013 Mendoza ..... D23/242  
D717,916 S \* 11/2014 Fritz ..... D23/242

(71) Applicant: **DELTA FAUCET COMPANY,**  
Indianapolis, IN (US)

\* cited by examiner

(72) Inventor: **Jordan Bahler,** Frankfort, IN (US)

*Primary Examiner* — Eric L Goodman

(73) Assignee: **DELTA FAUCET COMPANY,**  
Indianapolis, IN (US)

*Assistant Examiner* — Amy C Wierenga

(74) *Attorney, Agent, or Firm* — Edgar A. Zarins; Nirav  
D. Parikh

(\*\*) Term: **15 Years**

(57) **CLAIM**

(21) Appl. No.: **29/646,280**

The ornamental design for a faucet, as shown and described.

(22) Filed: **May 3, 2018**

**DESCRIPTION**

(51) **LOC (12) Cl.** ..... **23-01**

(52) **U.S. Cl.**  
USPC ..... **D23/242**

(58) **Field of Classification Search**  
USPC ..... D23/238–243, 249, 255, 257  
CPC ..... E03C 1/04; E03C 1/0401; E03C 1/0402;  
E03C 1/0404; Y10T 137/9464  
See application file for complete search history.

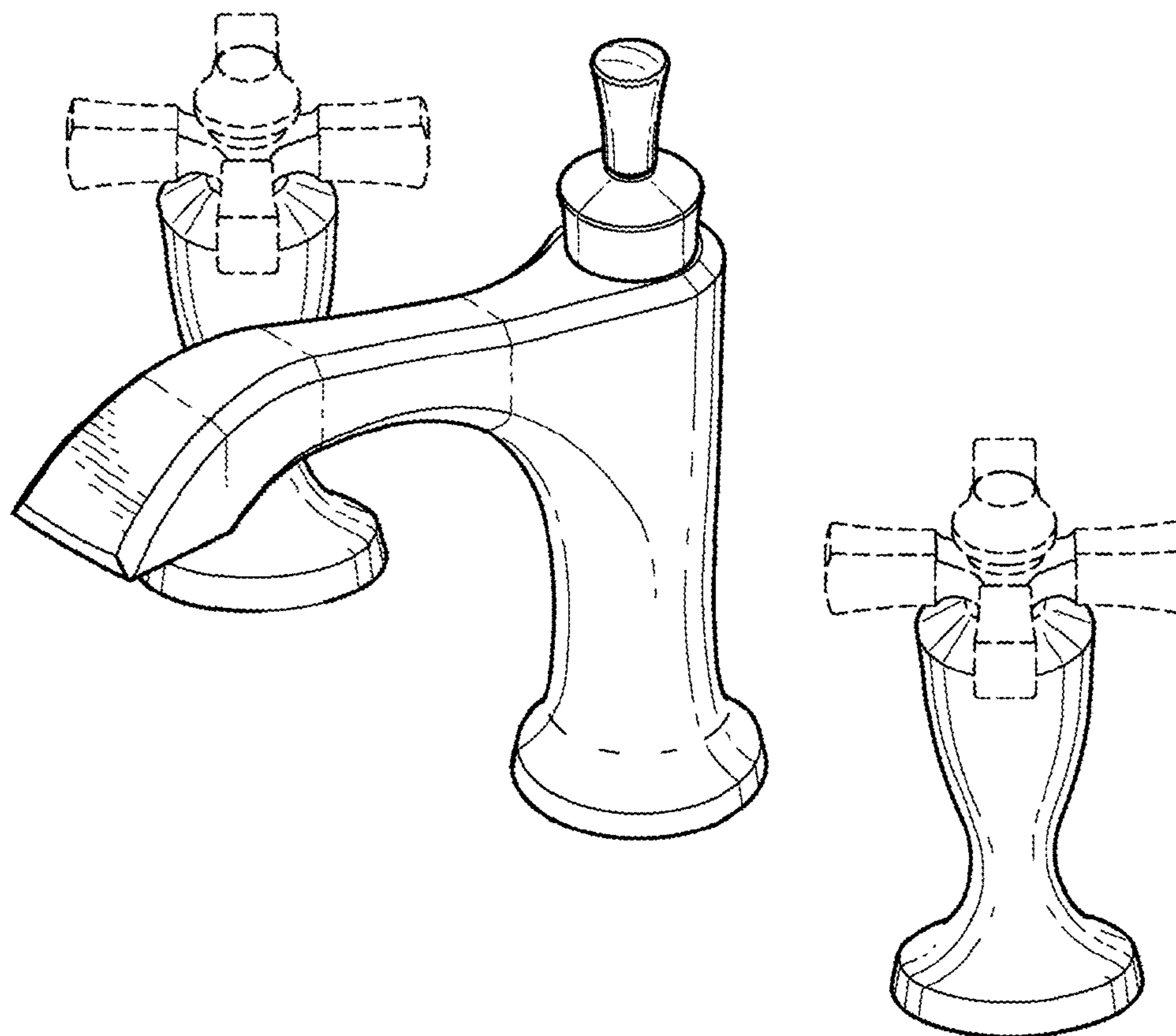
FIG. 1 is a perspective view of a faucet showing my new design;  
FIG. 2 is a front elevational view thereof;  
FIG. 3 is a top plan view thereof;  
FIG. 4 is a rear view thereof;  
FIG. 5 is a left side view thereof, the opposite side being a mirror image of the side shown; and,  
FIG. 6 is a bottom view thereof.  
The broken-line disclosure in the view represents a portion of the faucet in which the claimed design is embodied, but which forms no part of the claimed design.

(56) **References Cited**

**U.S. PATENT DOCUMENTS**

D518,878 S \* 4/2006 Thun ..... D23/241

**1 Claim, 3 Drawing Sheets**



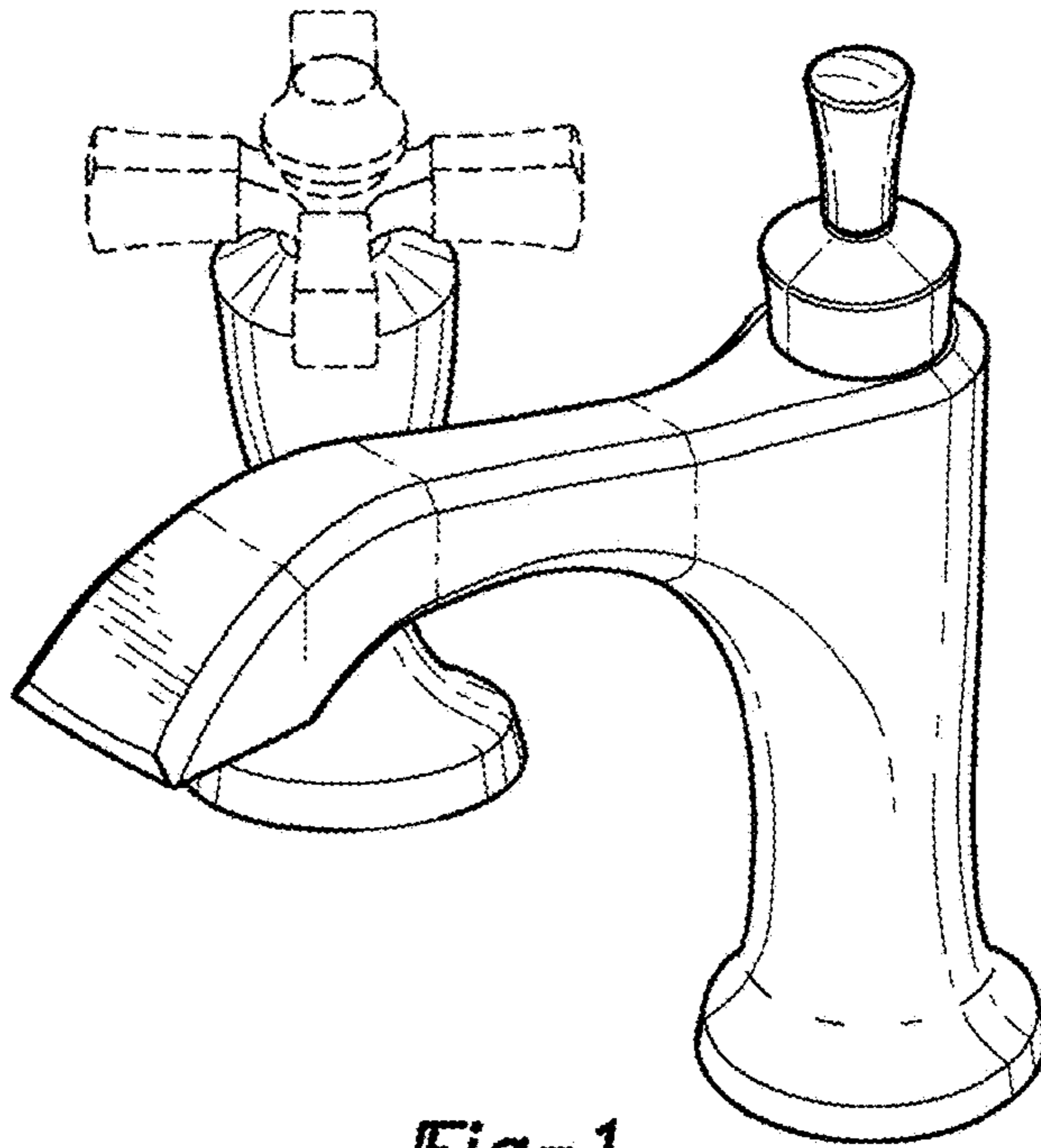


Fig-1

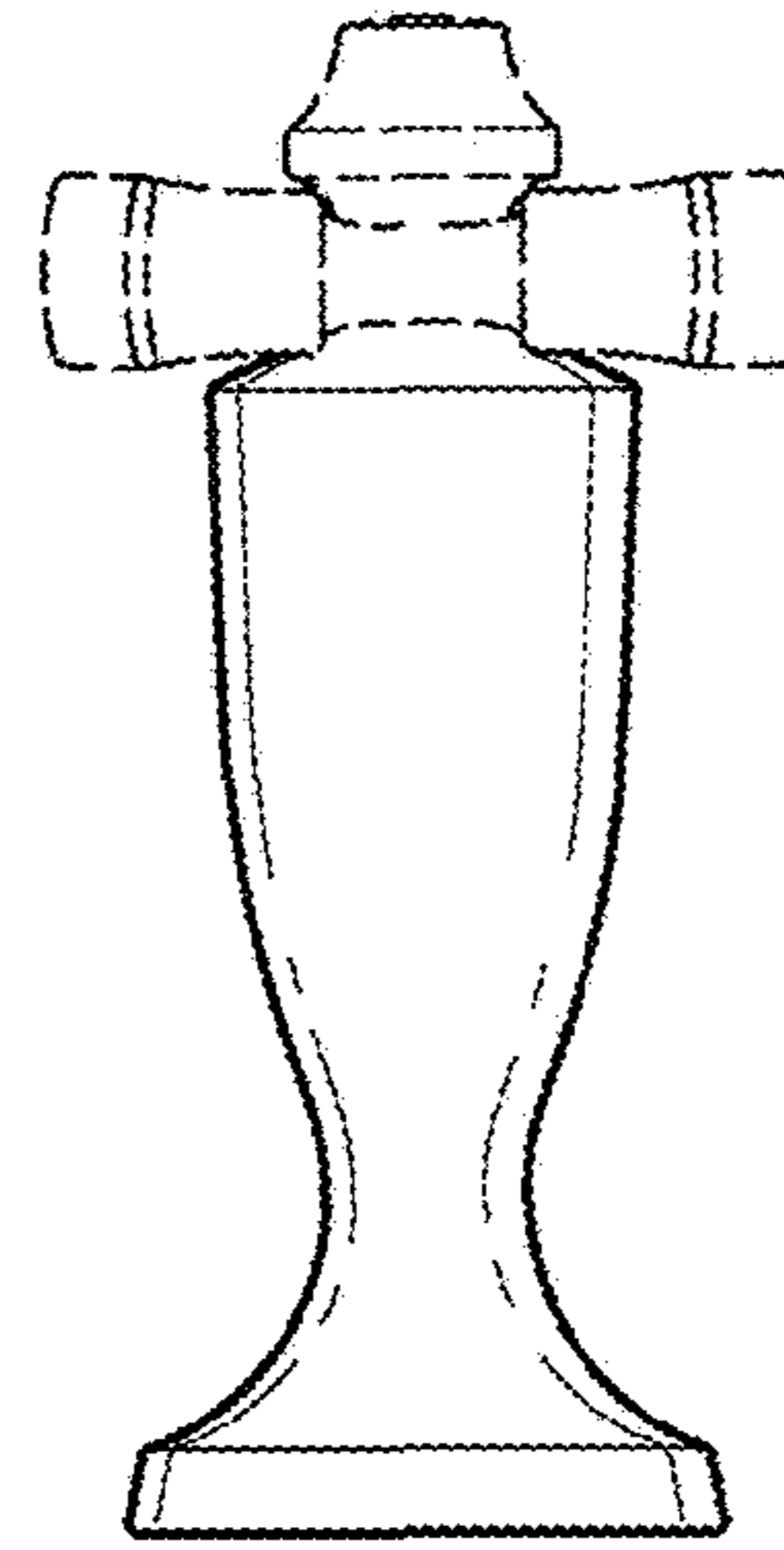
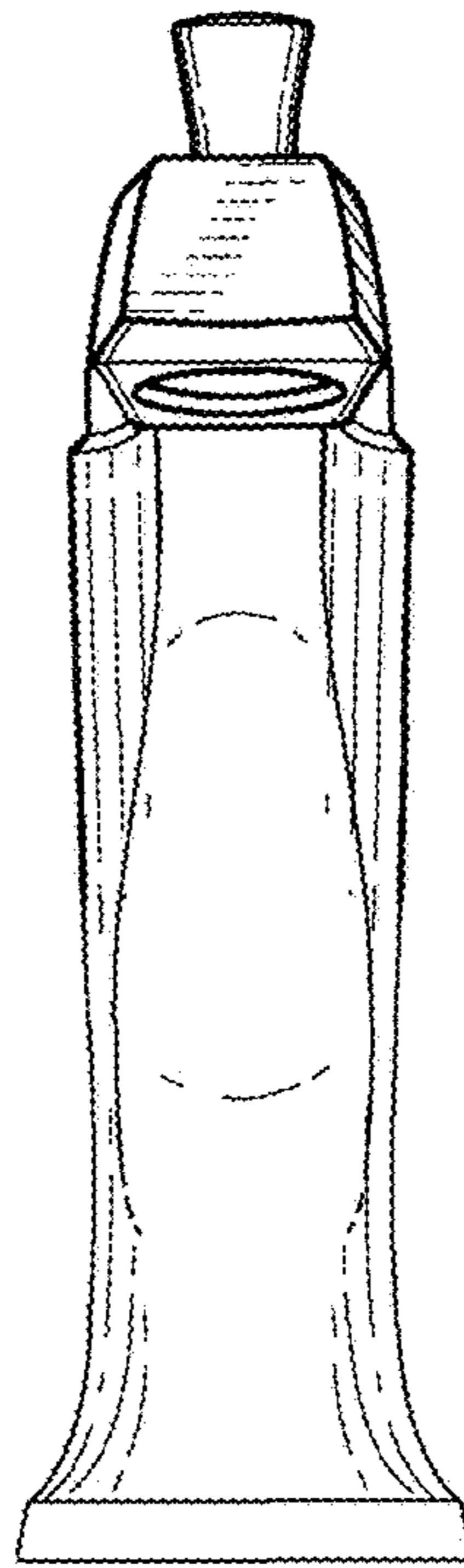
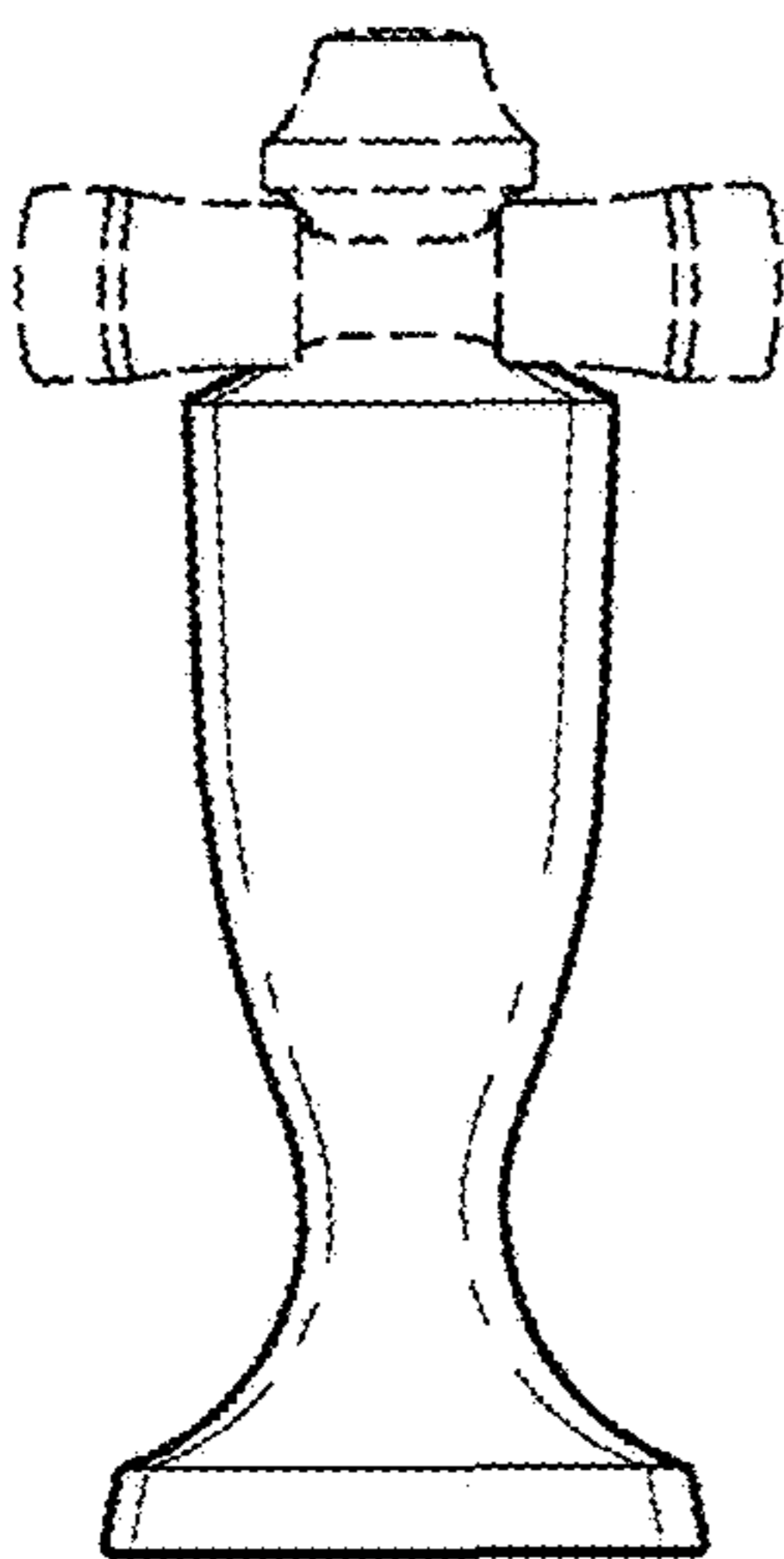
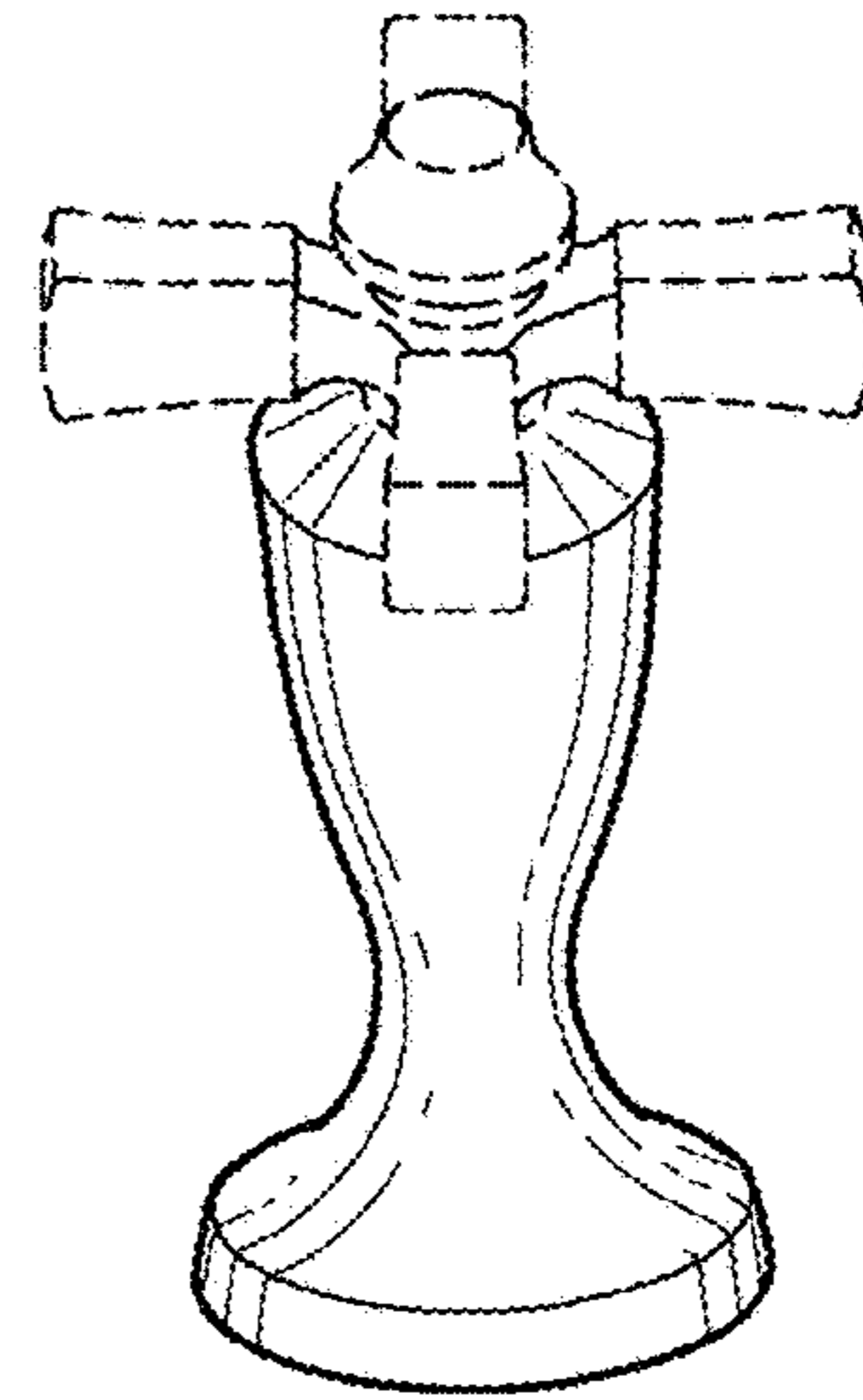
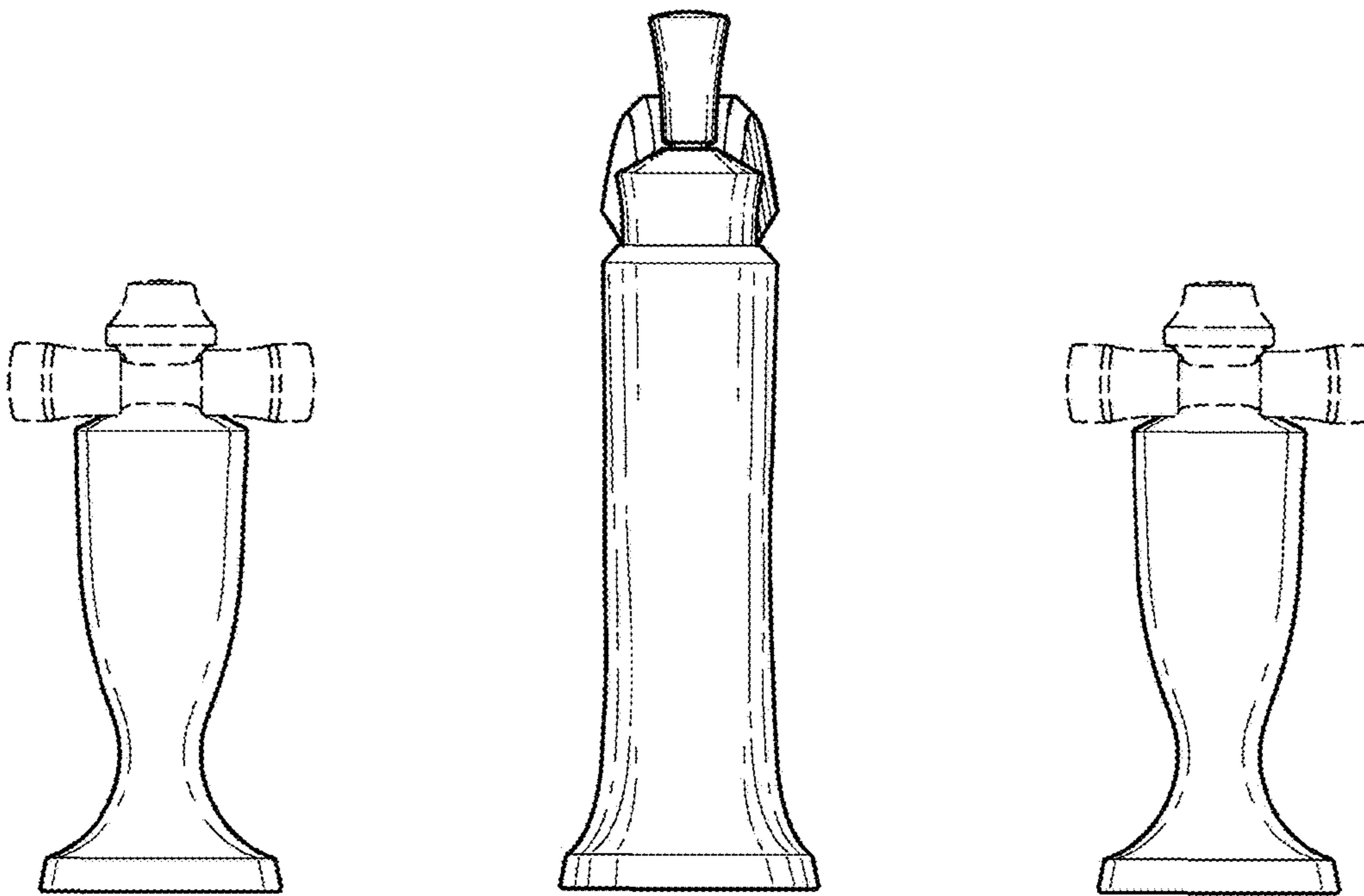
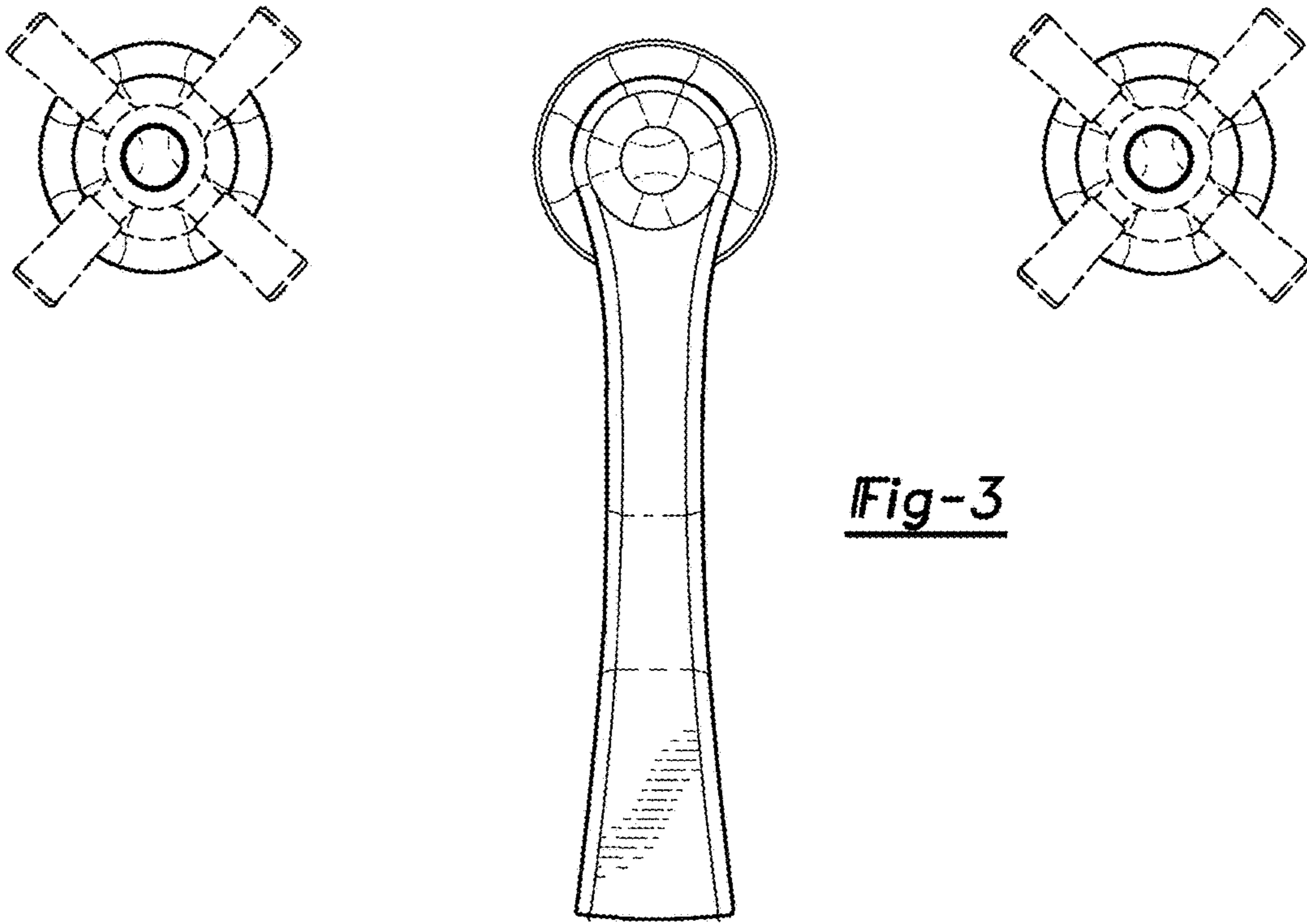


Fig-2



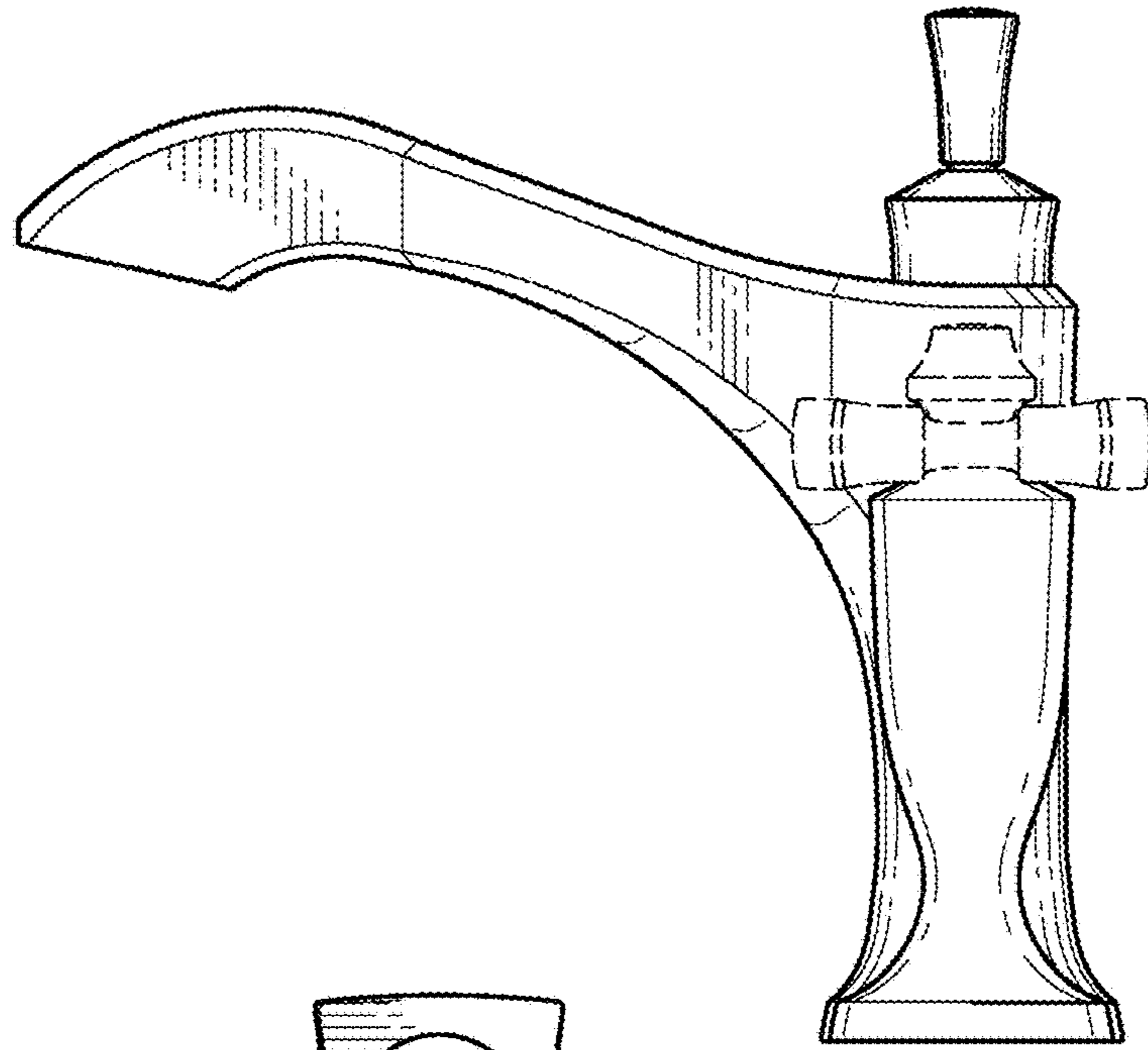


Fig-5

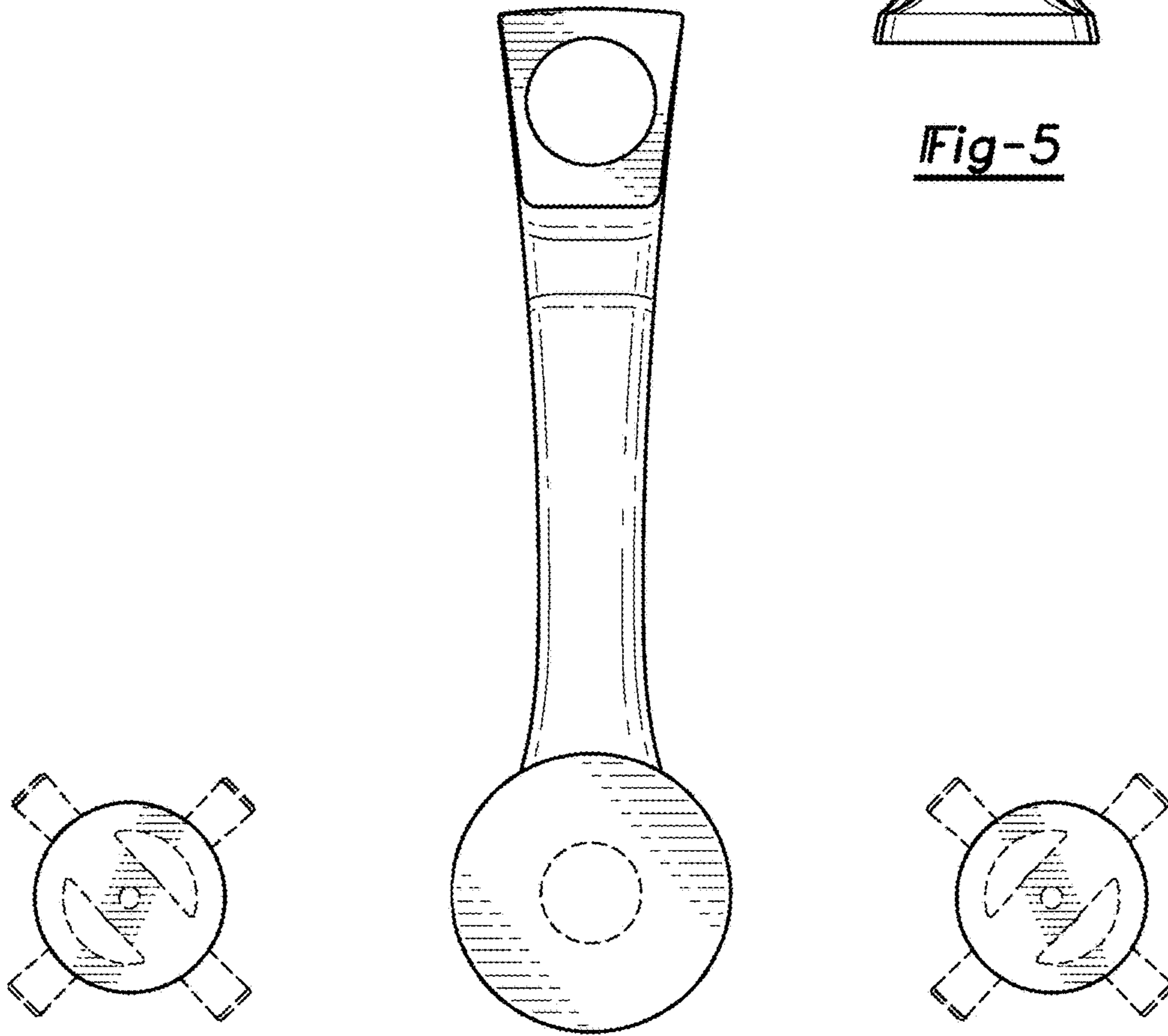


Fig-6