



US00D857847S

(12) **United States Design Patent**
Garland

(10) **Patent No.:** **US D857,847 S**

(45) **Date of Patent:** **** Aug. 27, 2019**

(54) **FAUCET**

(71) Applicant: **DELTA FAUCET COMPANY,**
Indianapolis, IN (US)

(72) Inventor: **Celine Kwok Garland,** Zionsville, IN
(US)

(73) Assignee: **DELTA FAUCET COMPANY,**
Indianapolis, IN (US)

(**) Term: **15 Years**

(21) Appl. No.: **29/634,218**

(22) Filed: **Jan. 19, 2018**

(51) **LOC (12) Cl.** **23-01**

(52) **U.S. Cl.**
USPC **D23/242**

(58) **Field of Classification Search**
USPC D23/238–243, 249, 255, 257, 250,
D23/253–254, 245; D8/300, 307
CPC F16K 31/60; F16K 31/602; F16K 31/605;
F16K 31/607; E03C 1/0412
See application file for complete search history.

(56) **References Cited**

U.S. PATENT DOCUMENTS

D76,995 S * 11/1928 Fraser D23/254
D371,956 S * 7/1996 Steffes D23/254

D405,162 S * 2/1999 Doughty D23/250
D461,538 S * 8/2002 Gottwald D23/255
D475,123 S * 5/2003 Citterio D23/241
D527,444 S * 8/2006 Gilbert D23/255
D566,817 S * 4/2008 Isaacs D23/255
D570,455 S * 6/2008 Dolan D23/250
D576,469 S * 9/2008 Haug D8/300
D619,223 S * 7/2010 Sofield D23/255
D683,825 S * 6/2013 Sofield D23/255
D796,642 S * 9/2017 Andrew D23/253
D827,105 S * 8/2018 Garland D23/254

* cited by examiner

Primary Examiner — Robert A Delehanty

(74) *Attorney, Agent, or Firm* — Edgar A. Zarins; Nirav
D. Parikh

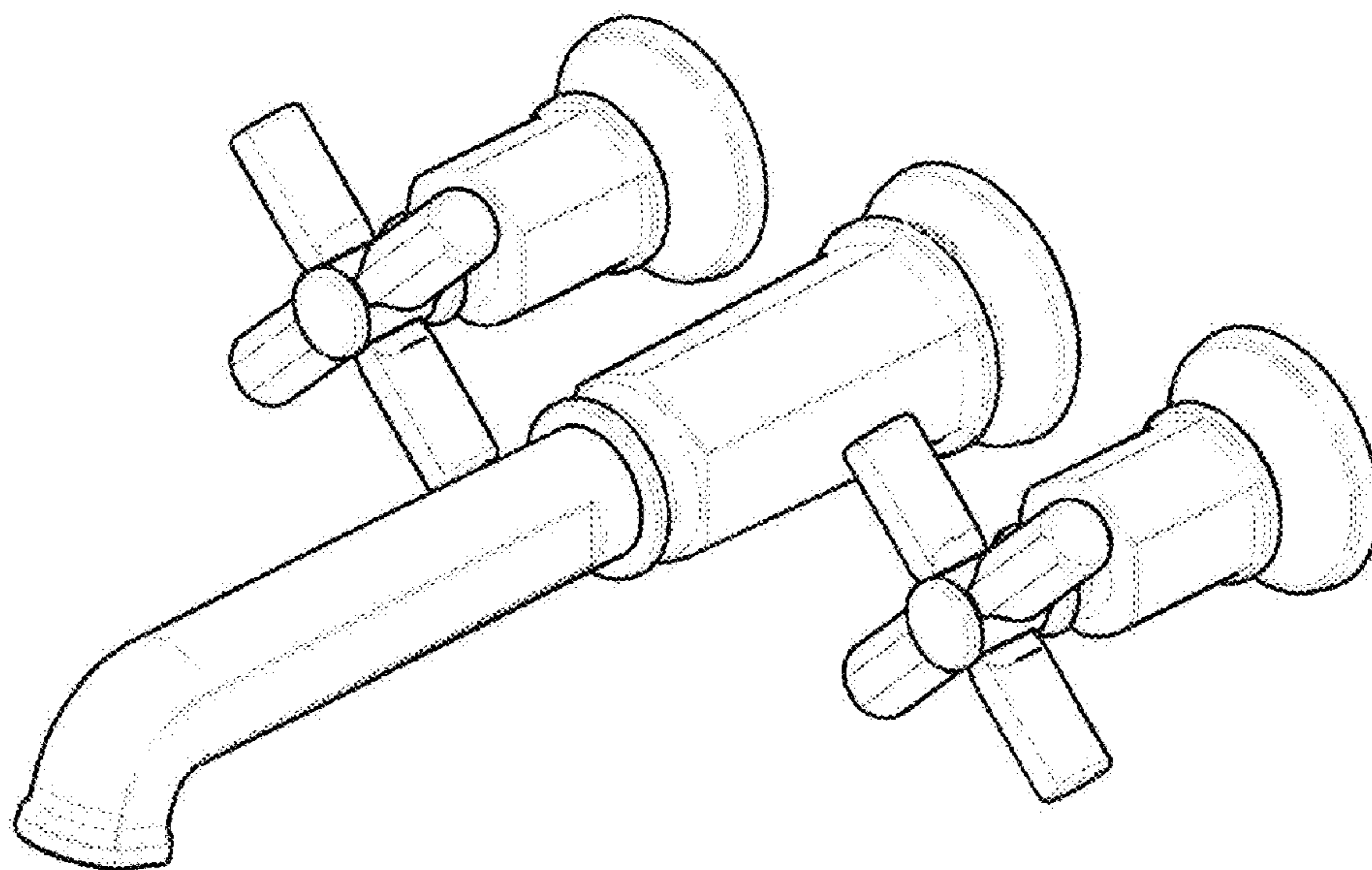
(57) **CLAIM**

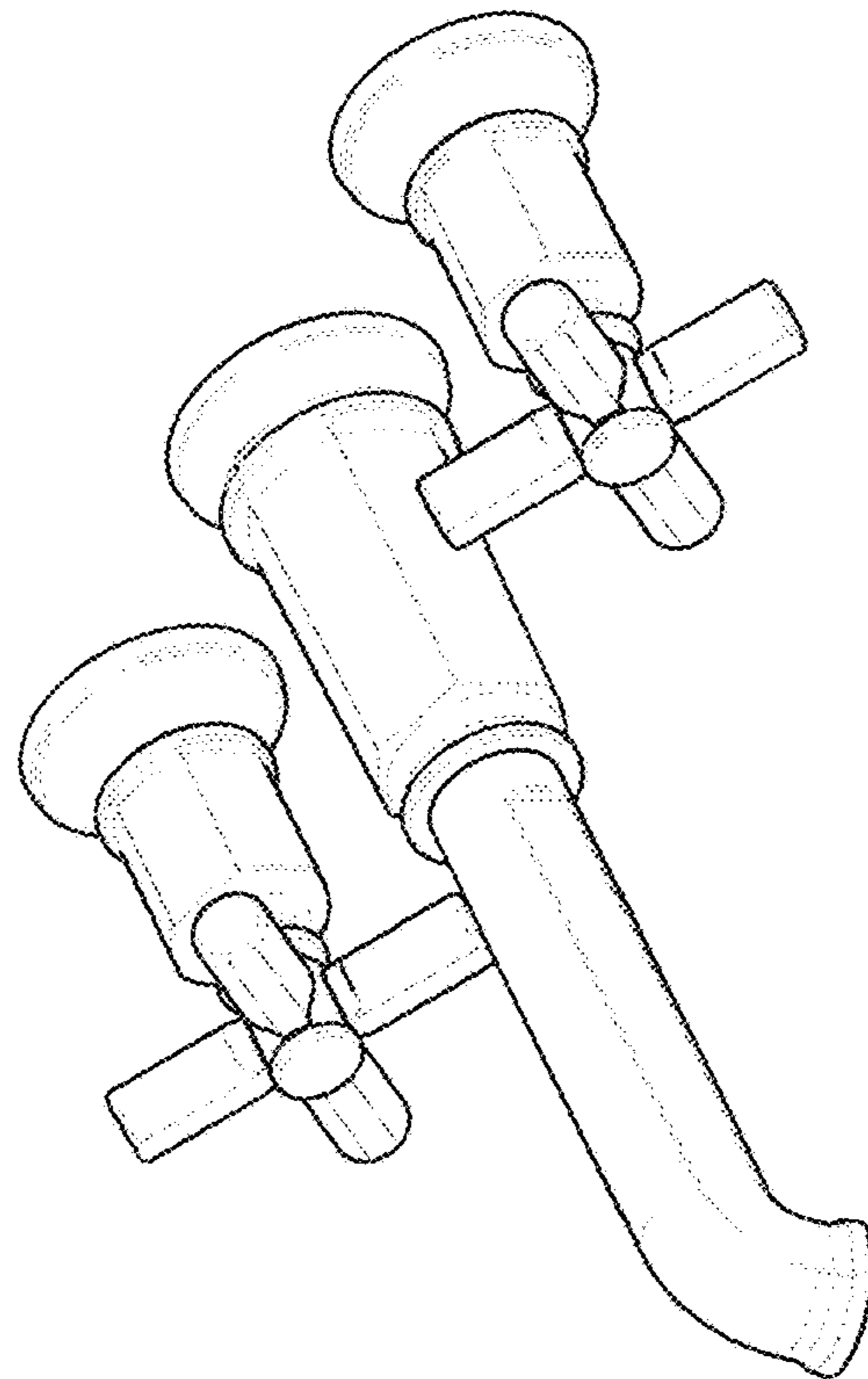
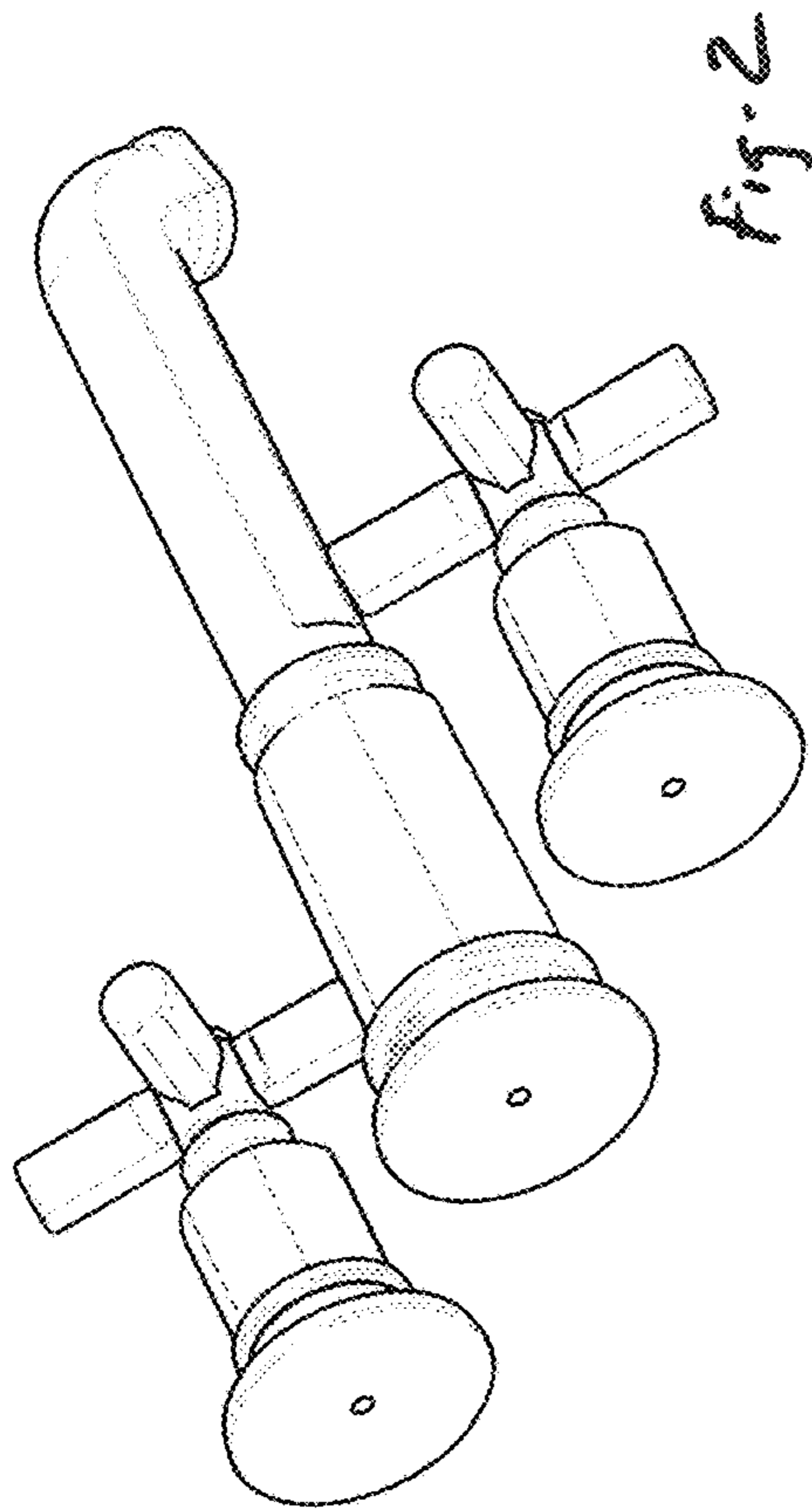
The ornamental design for a faucet, as shown and described.

DESCRIPTION

FIG. 1 is a front perspective view of a faucet showing my
new design;
FIG. 2 is a rear perspective view thereof;
FIG. 3 is a front elevational view thereof;
FIG. 4 is a left side view thereof;
FIG. 5 is a rear view thereof;
FIG. 6 is a right side view thereof;
FIG. 7 is a top plan view thereof; and,
FIG. 8 is a bottom view thereof.

1 Claim, 4 Drawing Sheets





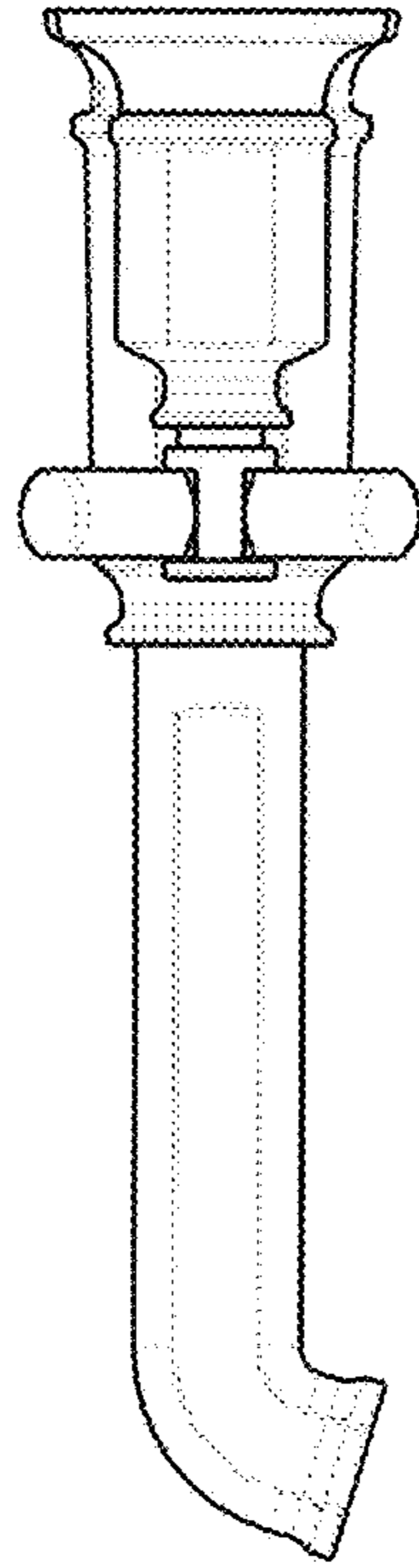


Fig. 4

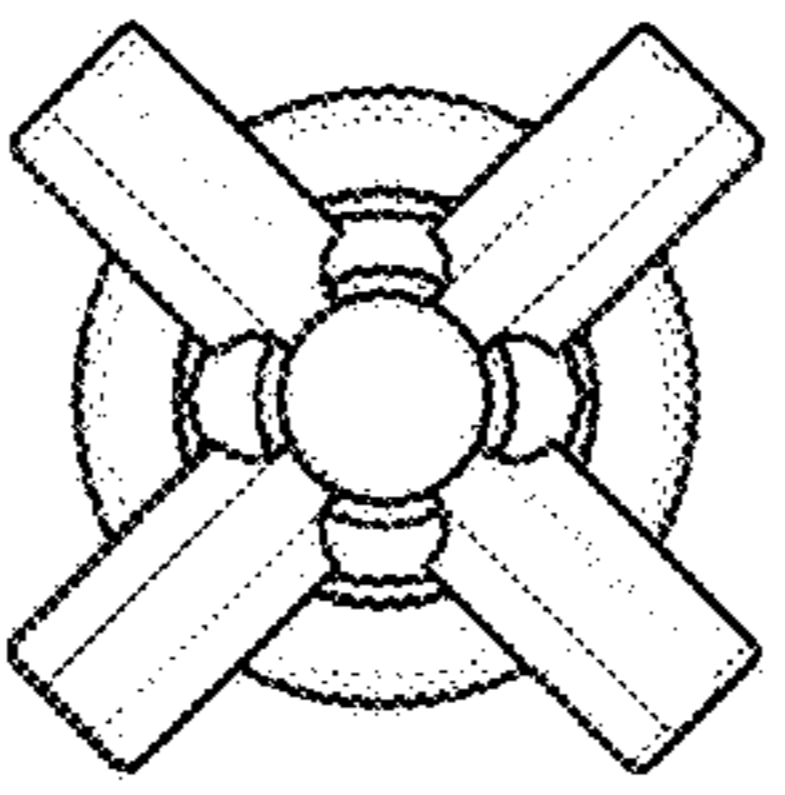
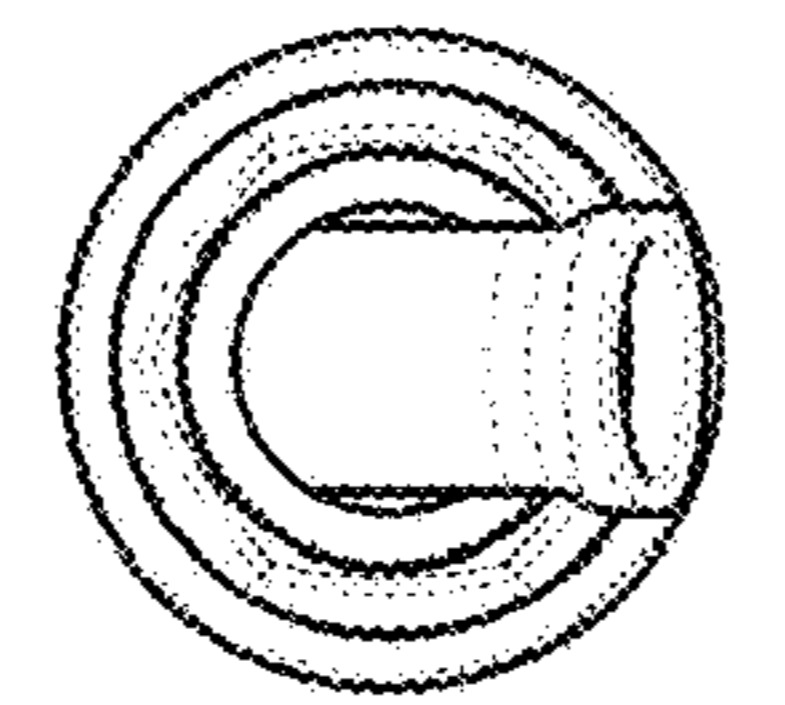
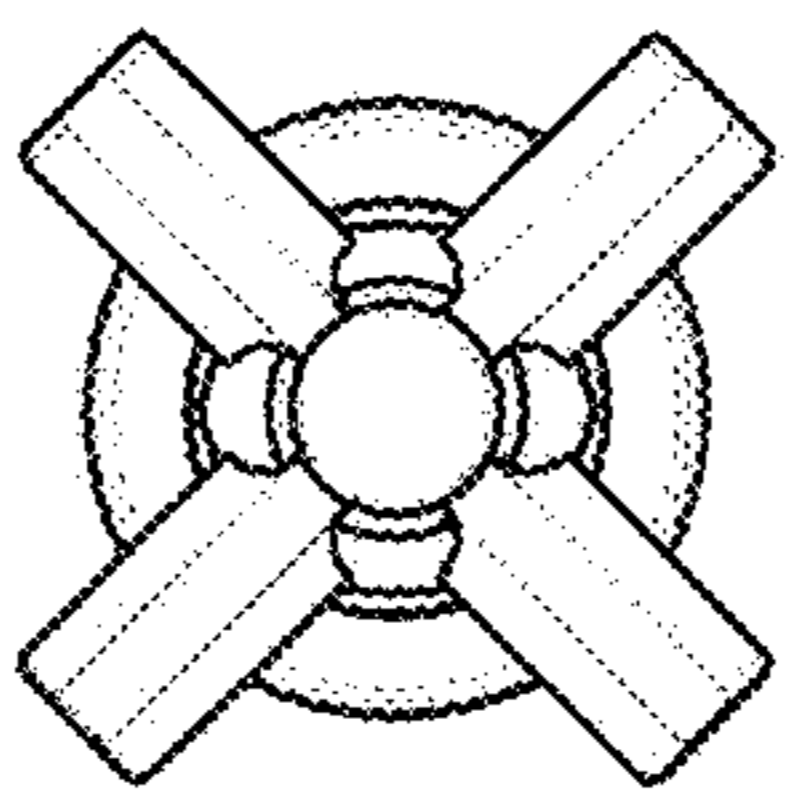


Fig. 3

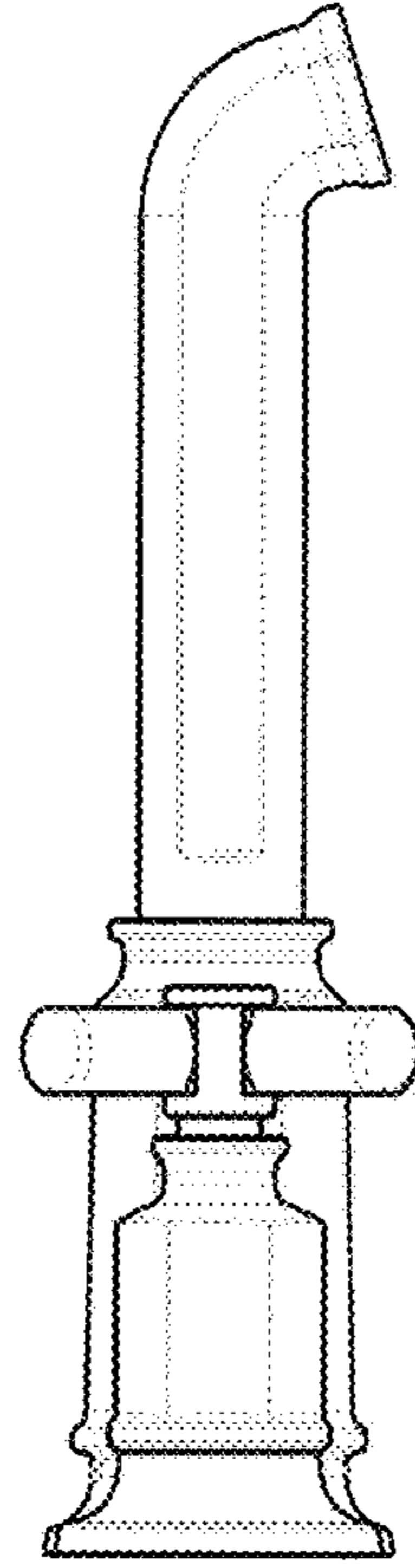


Fig. 6

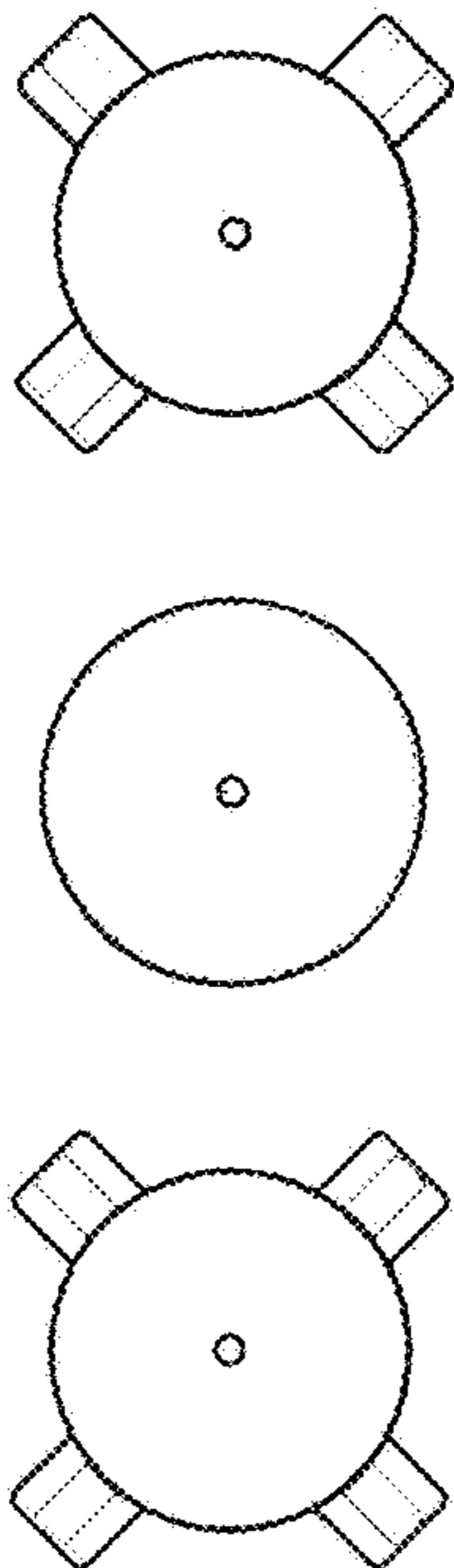


Fig. 5

