



US00D857845S

(12) **United States Design Patent** (10) **Patent No.:** **US D857,845 S**
Wieser et al. (45) **Date of Patent:** **** Aug. 27, 2019**

(54) **LAVATORY FIXTURE WITH INTEGRATED FAUCET, SOAP DISPENSER, AND HAND DRYER**

(71) Applicant: **Bradley Fixtures Corporation**,
Menomonee Falls, WI (US)
(72) Inventors: **Matthias Wieser**, Wendlingen (DE);
Pablo Bernal Ruesta, Stuttgart (DE);
Alexander Hoffart, Bindlach (DE);
Andreas Dimitriadis, Lorch (DE);
Cassandra Anne Schneider,
Oconomowoc, WI (US); **William L. Haas**,
Richfield, WI (US)
(73) Assignee: **Bradley Fixtures Corporation**,
Menomonee Falls, WI (US)

(**) Term: **15 Years**

(21) Appl. No.: **29/680,816**

(22) Filed: **Feb. 20, 2019**

Related U.S. Application Data

(62) Division of application No. 29/593,674, filed on Feb. 10, 2017, now Pat. No. Des. 847,305.

(51) **LOC (12) Cl.** **23-01**

(52) **U.S. Cl.**
USPC **D23/239**; D6/542; D28/54.1

(58) **Field of Classification Search**
USPC D23/238–241, 249–250, 255, 257;
D6/542–545; D28/54.1
CPC E03C 1/04; E03C 1/0401; E03C 1/0402;
E03C 1/0404; E03C 1/057; E03C 1/052;
F16K 31/602; F16K 31/605; F16K
31/607; A47K 10/48; A47K 5/1217

See application file for complete search history.

(56) **References Cited**

U.S. PATENT DOCUMENTS

D315,398 S *	3/1991	Strignano	D23/241
D686,369 S *	7/2013	Horvath	D28/54.1
D708,711 S *	7/2014	Yu	D23/238
D811,535 S *	2/2018	Wieser	D23/239
D820,404 S *	6/2018	Wieser	D23/239
D820,405 S *	6/2018	Wieser	D23/239
D820,406 S *	6/2018	Wieser	D23/239

(Continued)

Primary Examiner — Robert A Delehanty

(74) *Attorney, Agent, or Firm* — Boyle Fredrickson, S.C.

(57) **CLAIM**

The ornamental design for a lavatory fixture with integrated faucet, soap dispenser, and hand dryer, substantially, as shown and described.

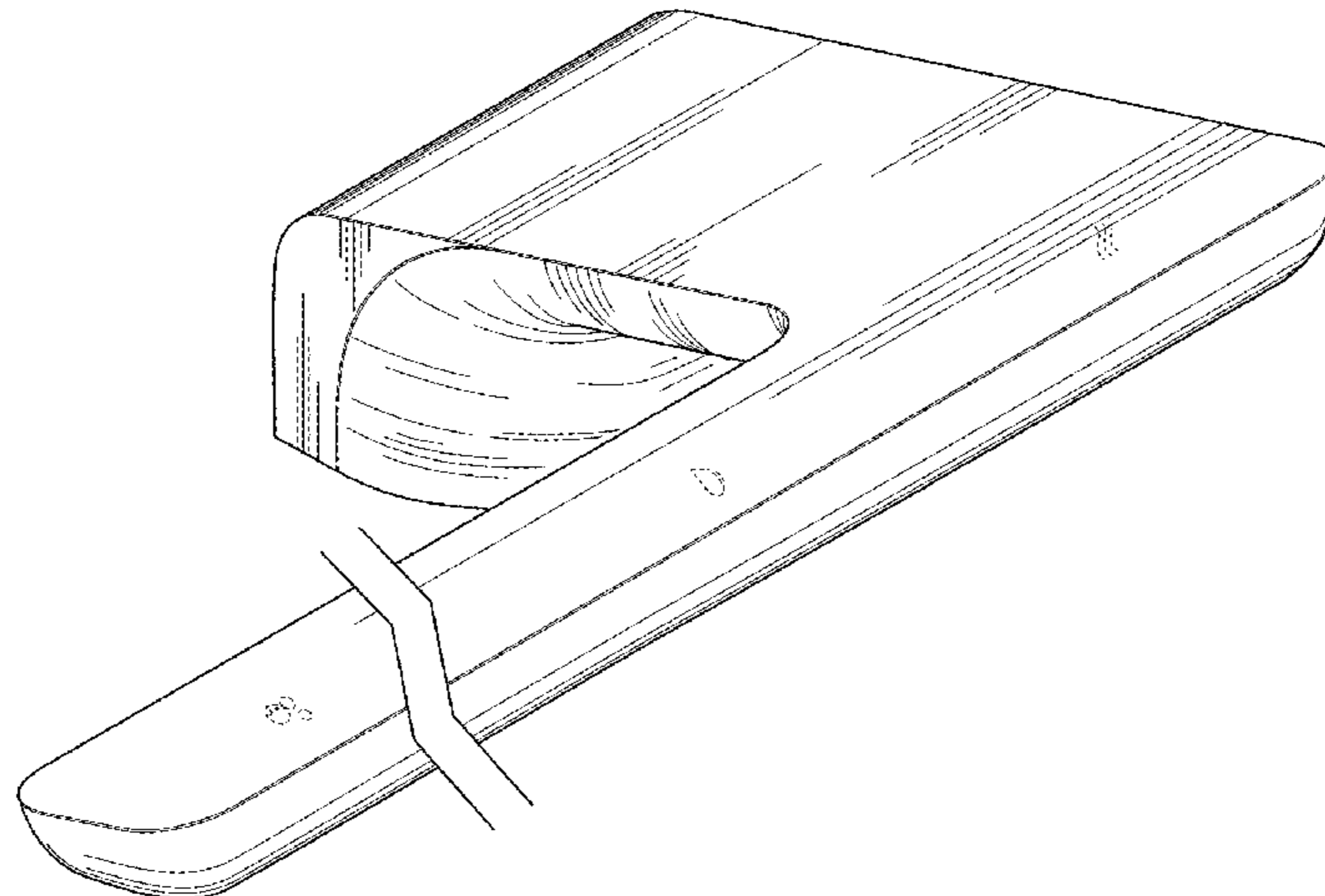
DESCRIPTION

FIG. 1 is a raised perspective view of a lavatory fixture with a faucet, soap dispenser, and hand dryer all-in-one; FIG. 2 is a front perspective view of the lavatory fixture shown in FIG. 1; FIG. 3 is a front view of the of the lavatory fixture shown in FIG. 1; FIG. 4 is a rear view of the lavatory fixture shown in FIG. 1; FIG. 5 is a right side view of the lavatory fixture shown in FIG. 1; FIG. 6 is a left side view of the lavatory fixture shown in FIG. 1; FIG. 7 is a top view of the lavatory fixture shown in FIG. 1; and, FIG. 8 is a bottom view of the lavatory fixture shown in FIG 1.

The broken lines shown in the drawing represent a portion of the lavatory fixture that forms no part of the claimed design.

The appearance of any portion of the article between the jagged broken away symbols shown in the drawings forms no part of the claimed design.

1 Claim, 4 Drawing Sheets



(56)

References Cited

U.S. PATENT DOCUMENTS

D820,407 S * 6/2018 Wieser D23/239
D839,389 S * 1/2019 Wieser D23/240

* cited by examiner

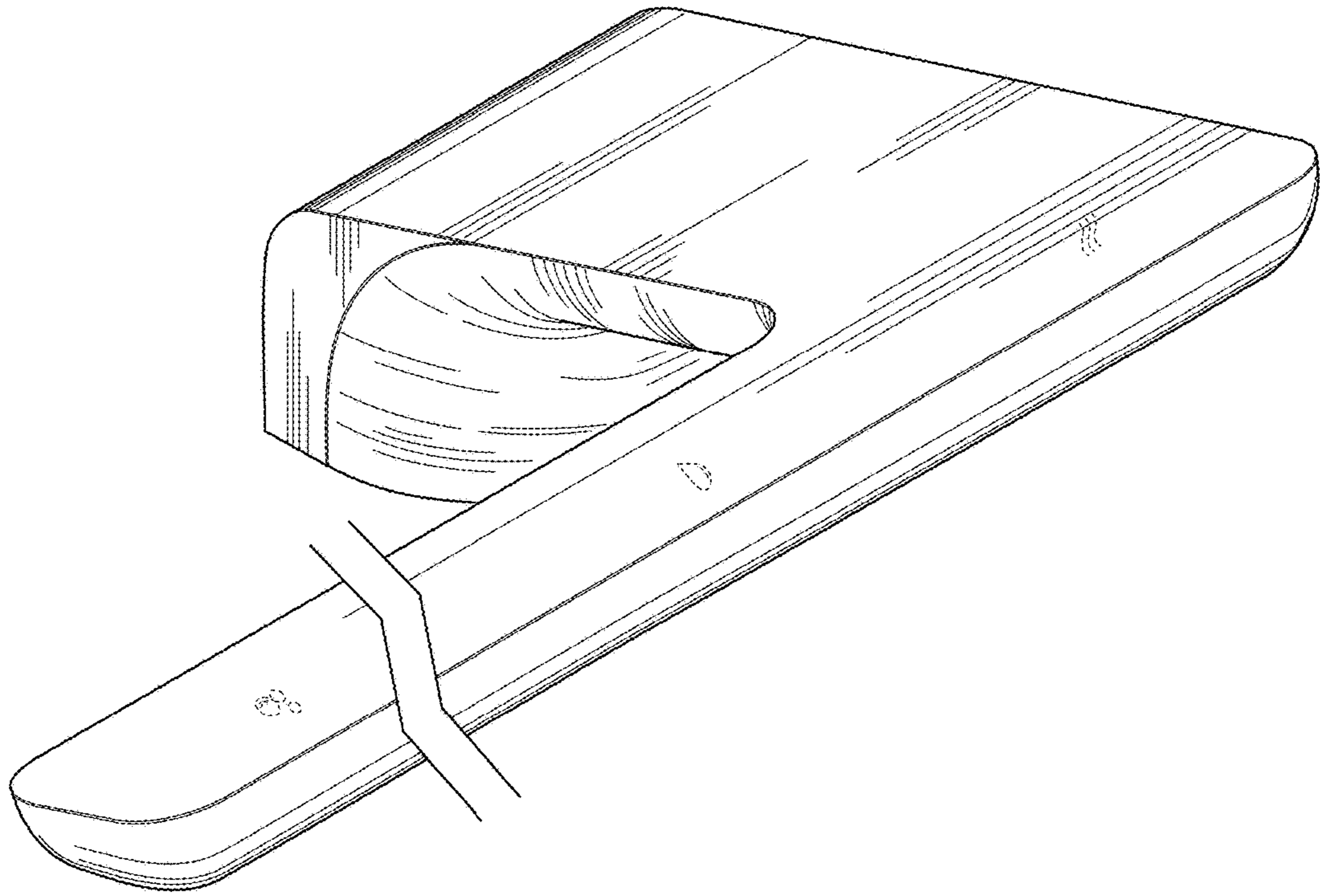


Fig. 1

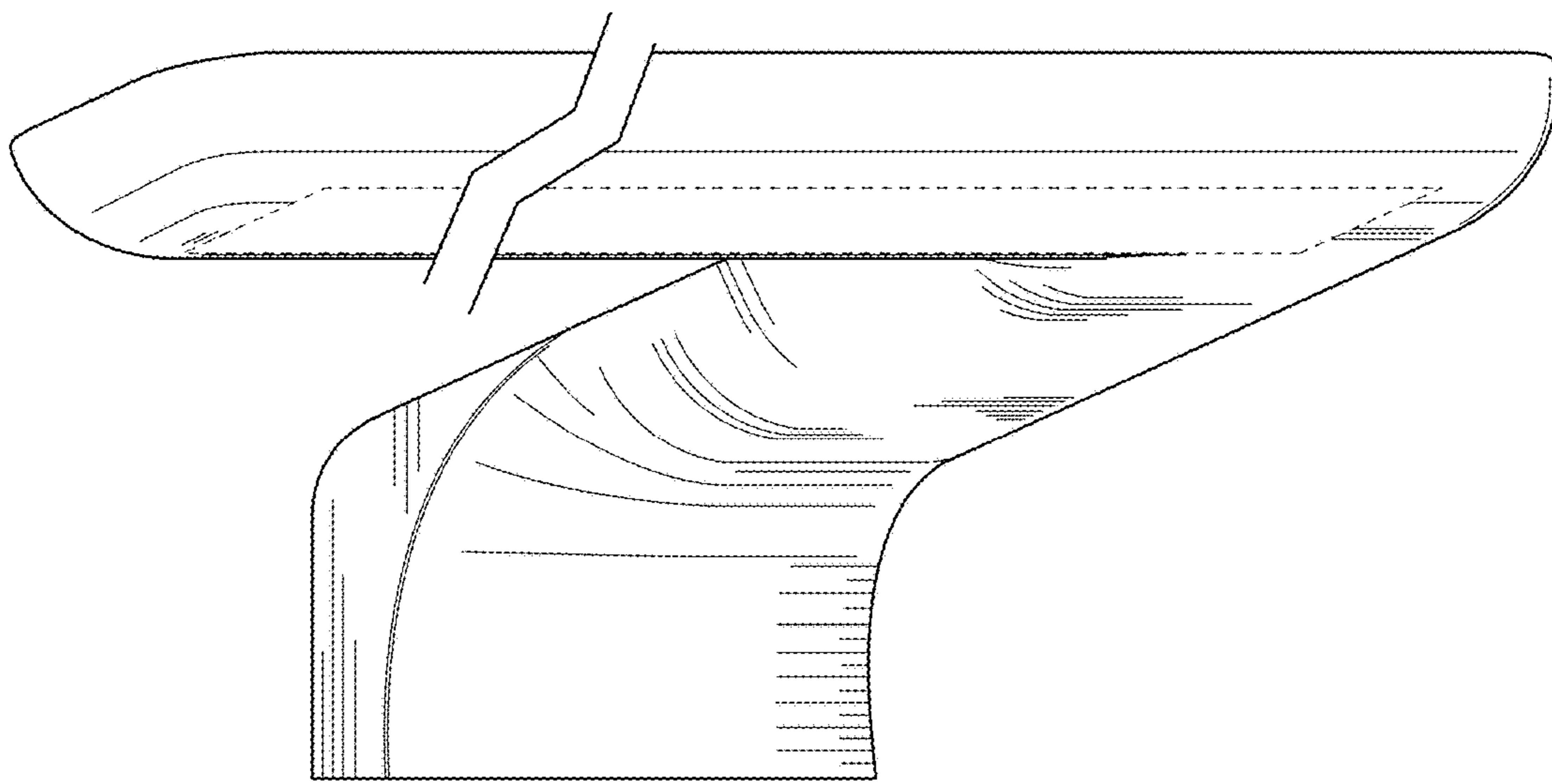


Fig. 2

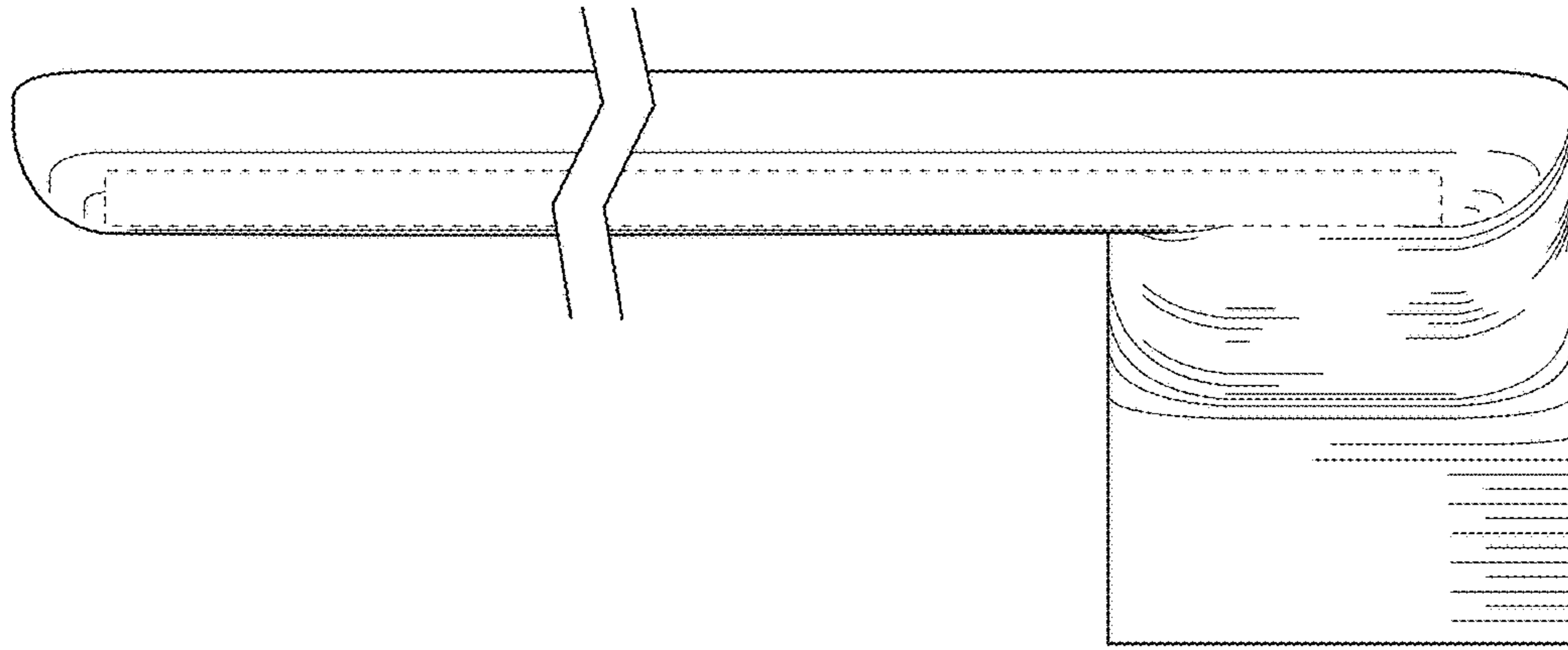


Fig. 3

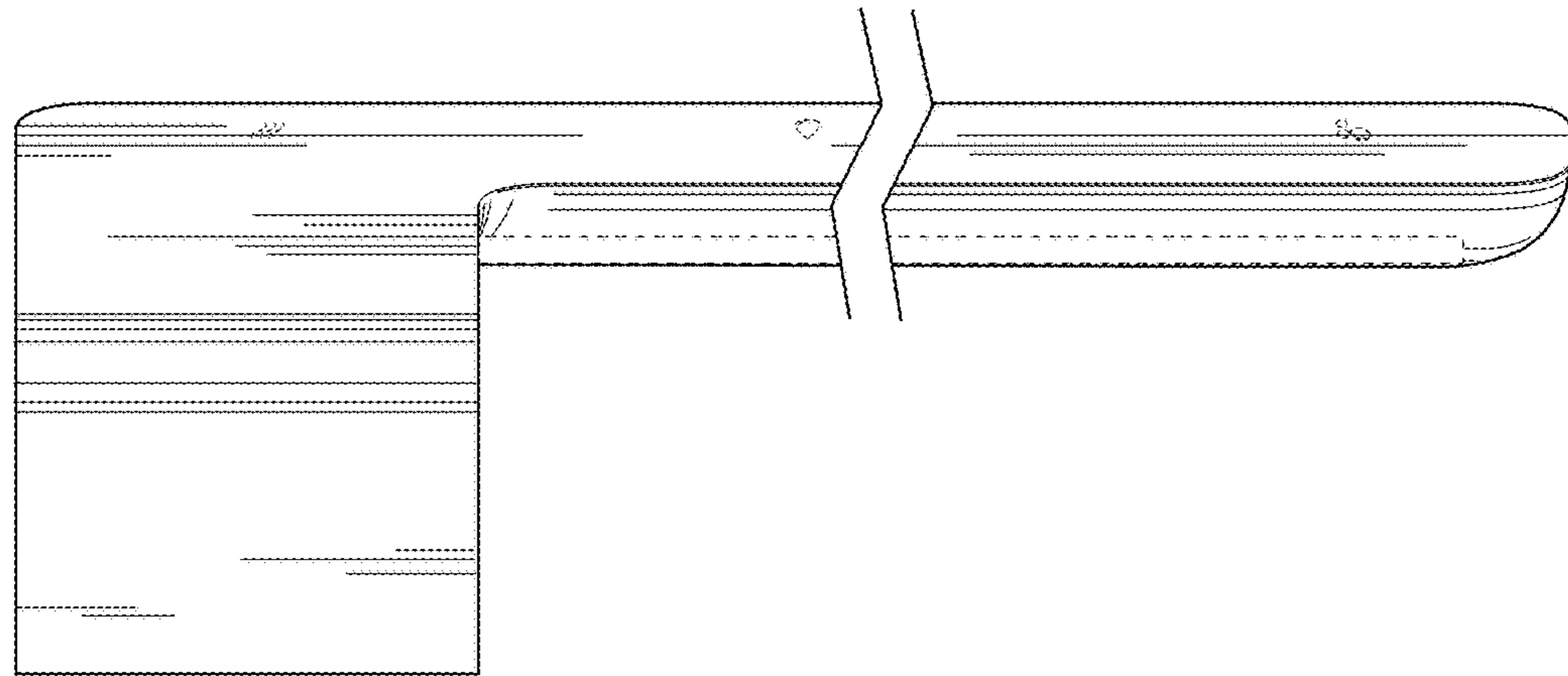


Fig. 4

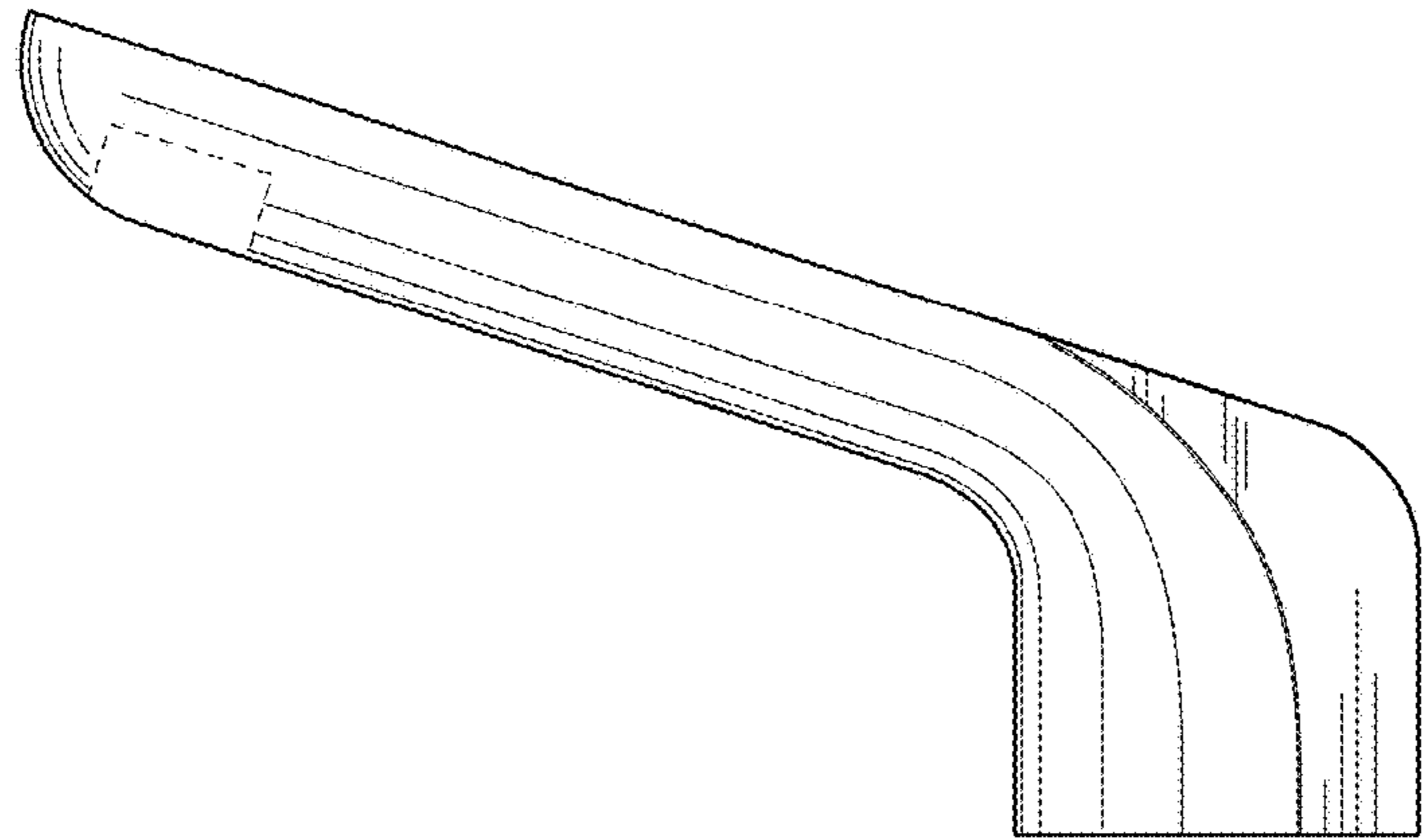


Fig. 5

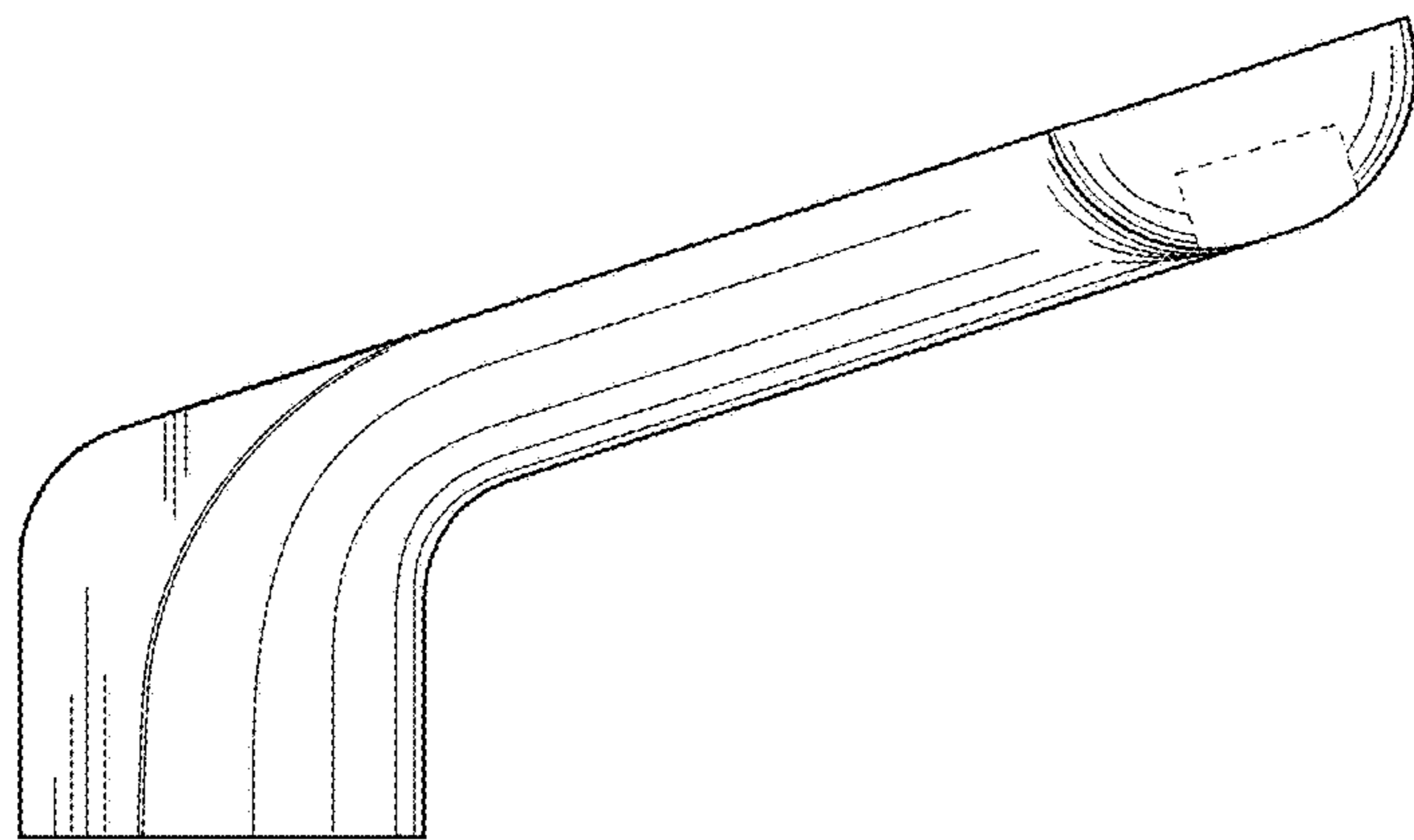


Fig. 6

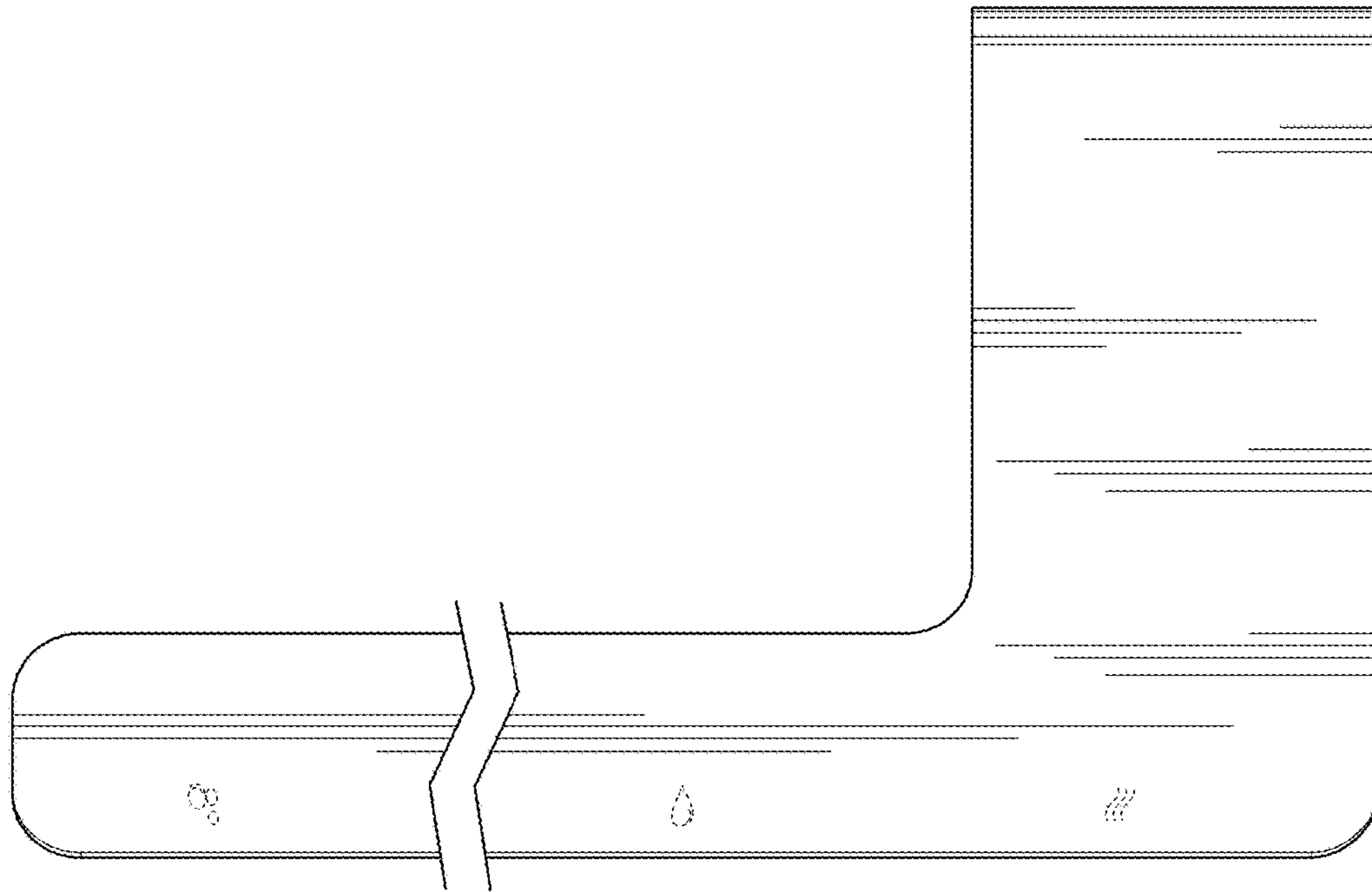


Fig. 7

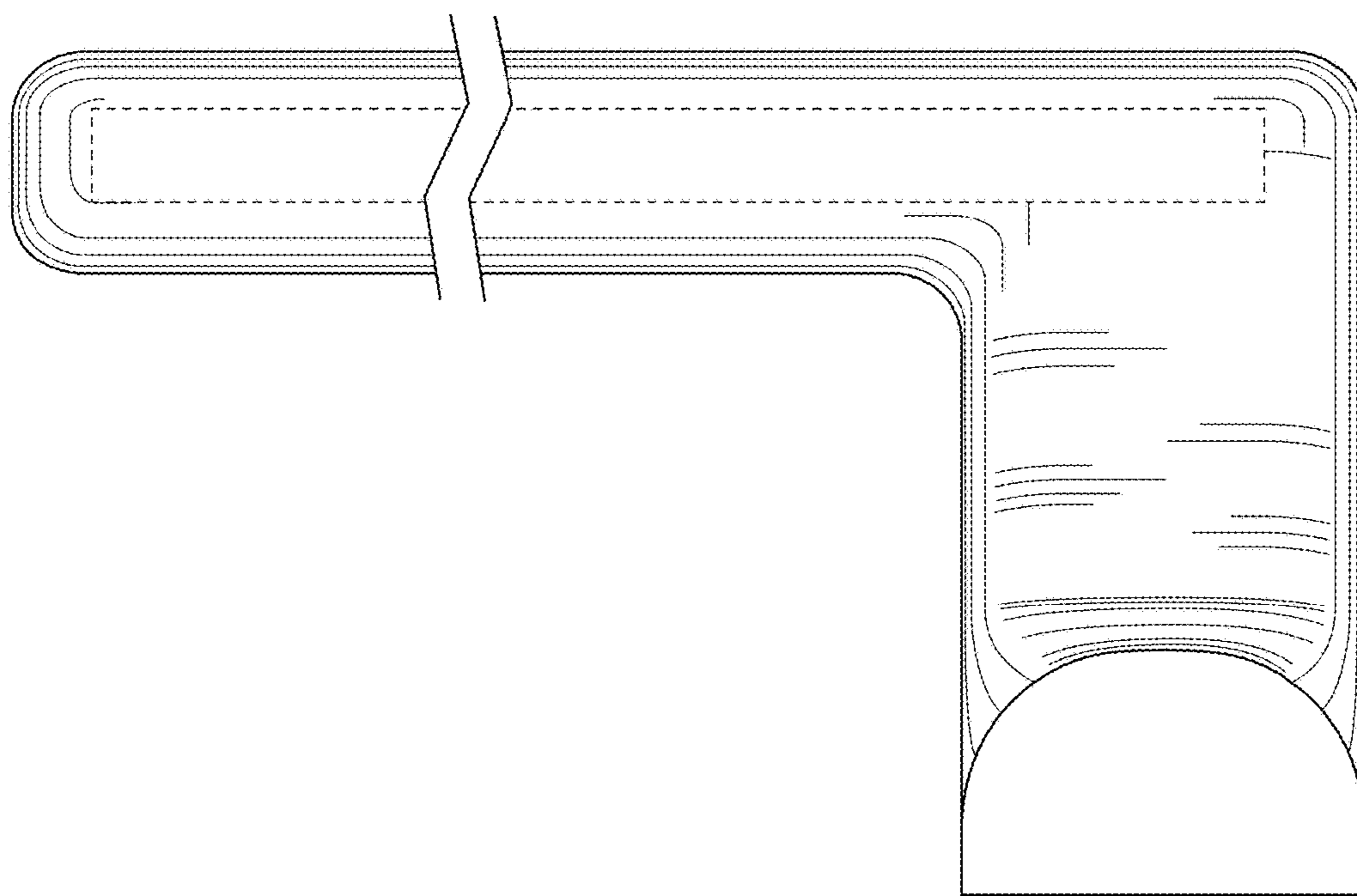


Fig. 8