



US00D857844S

(12) **United States Design Patent**
Levi

(10) **Patent No.:** **US D857,844 S**

(45) **Date of Patent:** **** Aug. 27, 2019**

(54) **FAUCET**

(71) Applicant: **Kraus USA Inc**, Port Washington, NY
(US)

(72) Inventor: **Russell Levi**, Port Washington, NY
(US)

(73) Assignee: **Kraus USA Inc**, Port Washington, NY
(US)

(**) Term: **15 Years**

(21) Appl. No.: **29/635,946**

(22) Filed: **Feb. 5, 2018**

(51) **LOC (12) Cl.** **23-01**

(52) **U.S. Cl.**
USPC **D23/238**

(58) **Field of Classification Search**
USPC D23/238-243, 249, 255, 257, 250, 252,
D23/254, 213, 223, 226; D8/307-308
CPC E03C 1/0412
See application file for complete search history.

(56) **References Cited**

U.S. PATENT DOCUMENTS

D479,309 S * 9/2003 Haug D23/238
D520,114 S * 5/2006 Starck D23/238

D576,255 S * 9/2008 Nobili D23/238
D605,260 S * 12/2009 Allard D23/255
8,413,686 B2 * 4/2013 Ko E03C 1/0404
137/801
D735,298 S * 7/2015 Eads D23/238

* cited by examiner

Primary Examiner — Robert A Delehanty

(74) *Attorney, Agent, or Firm* — Carter, Deluca & Farrell
LLP

(57) **CLAIM**

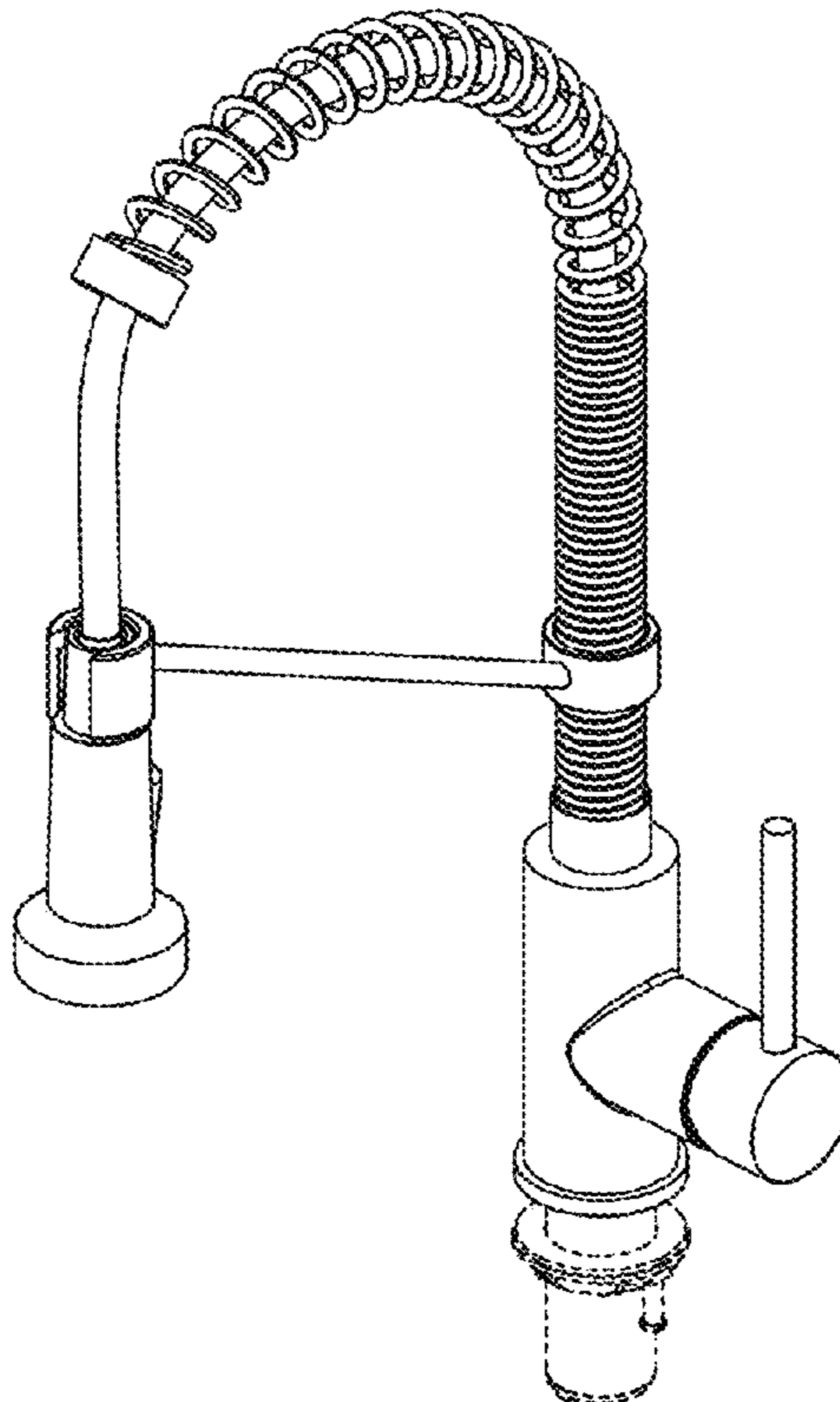
The ornamental design for a faucet, as shown and described.

DESCRIPTION

FIG. 1 is a front perspective view of a faucet in accordance with the present design;
FIG. 2 is a front elevational view thereof;
FIG. 3 is a rear elevational view thereof;
FIG. 4 is a right side elevational view thereof;
FIG. 5 is a left side elevational thereof;
FIG. 6 is a top plan view thereof; and,
FIG. 7 is a bottom plan view thereof.

The broken lines shown are included for the purpose of illustrating a portion of the faucet that form no part of the claimed design.

1 Claim, 7 Drawing Sheets



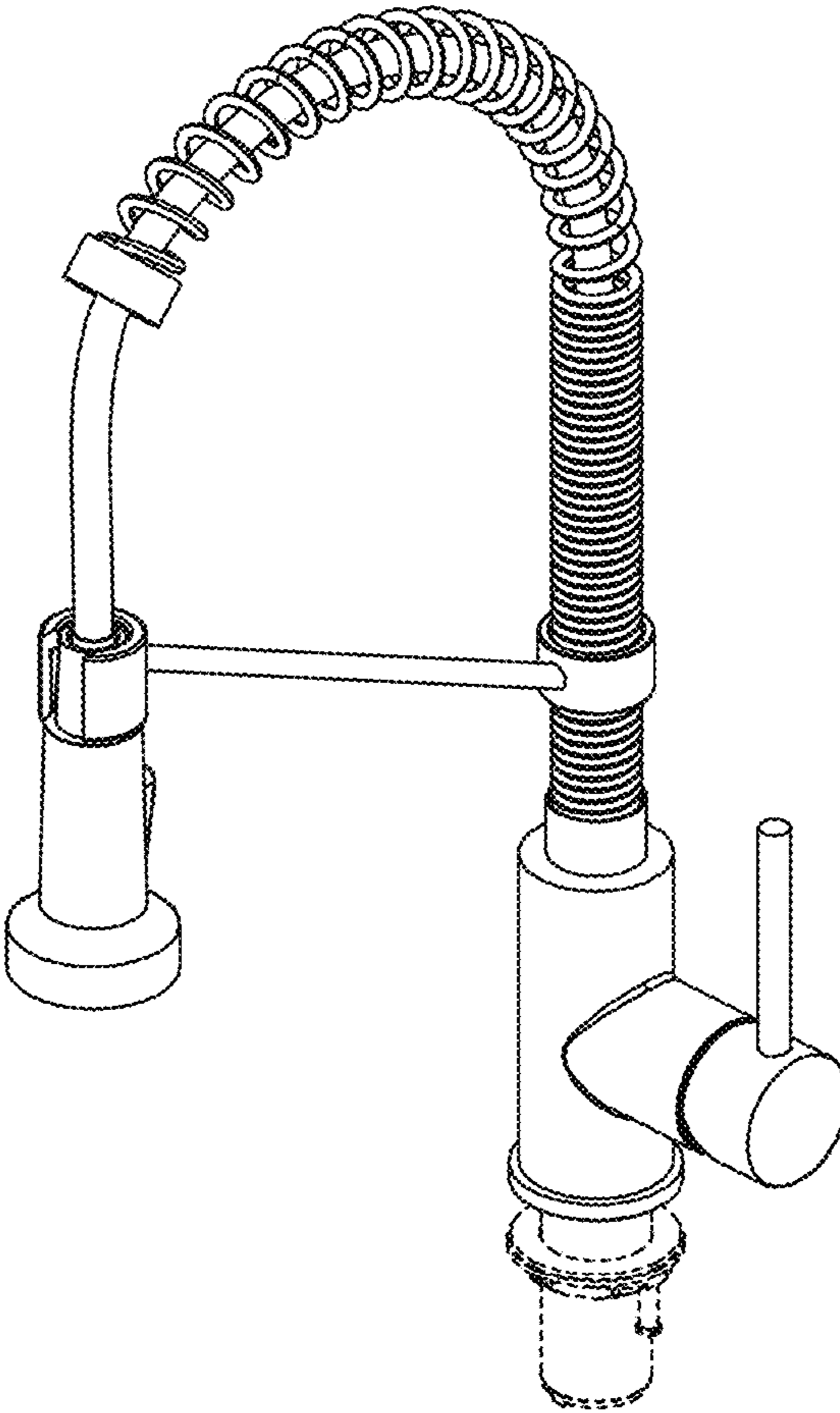


FIG. 1

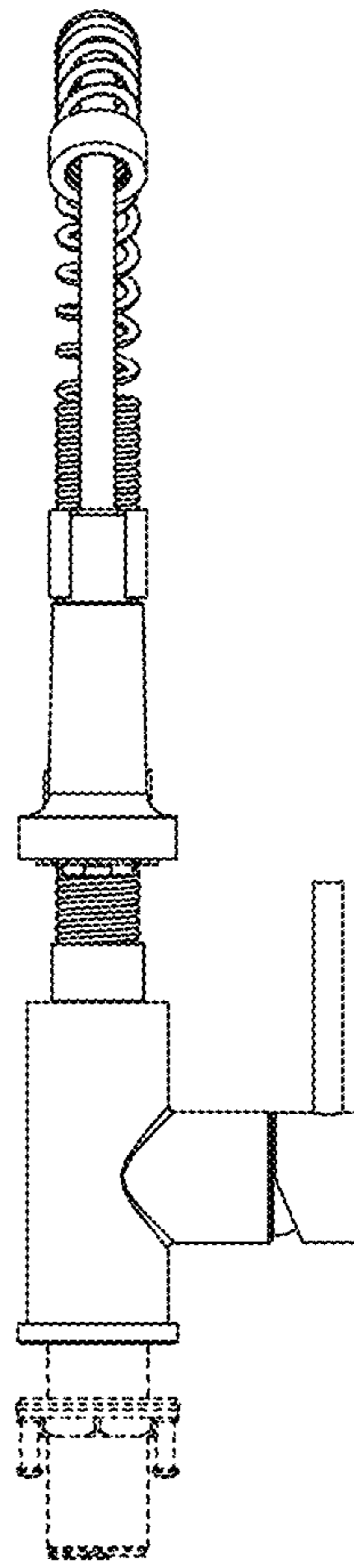


FIG. 2

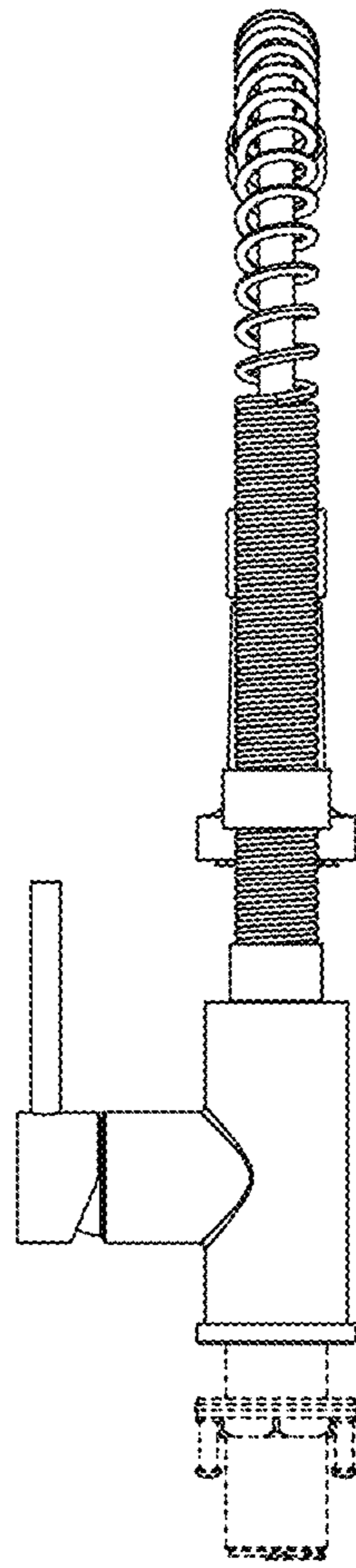


FIG. 3

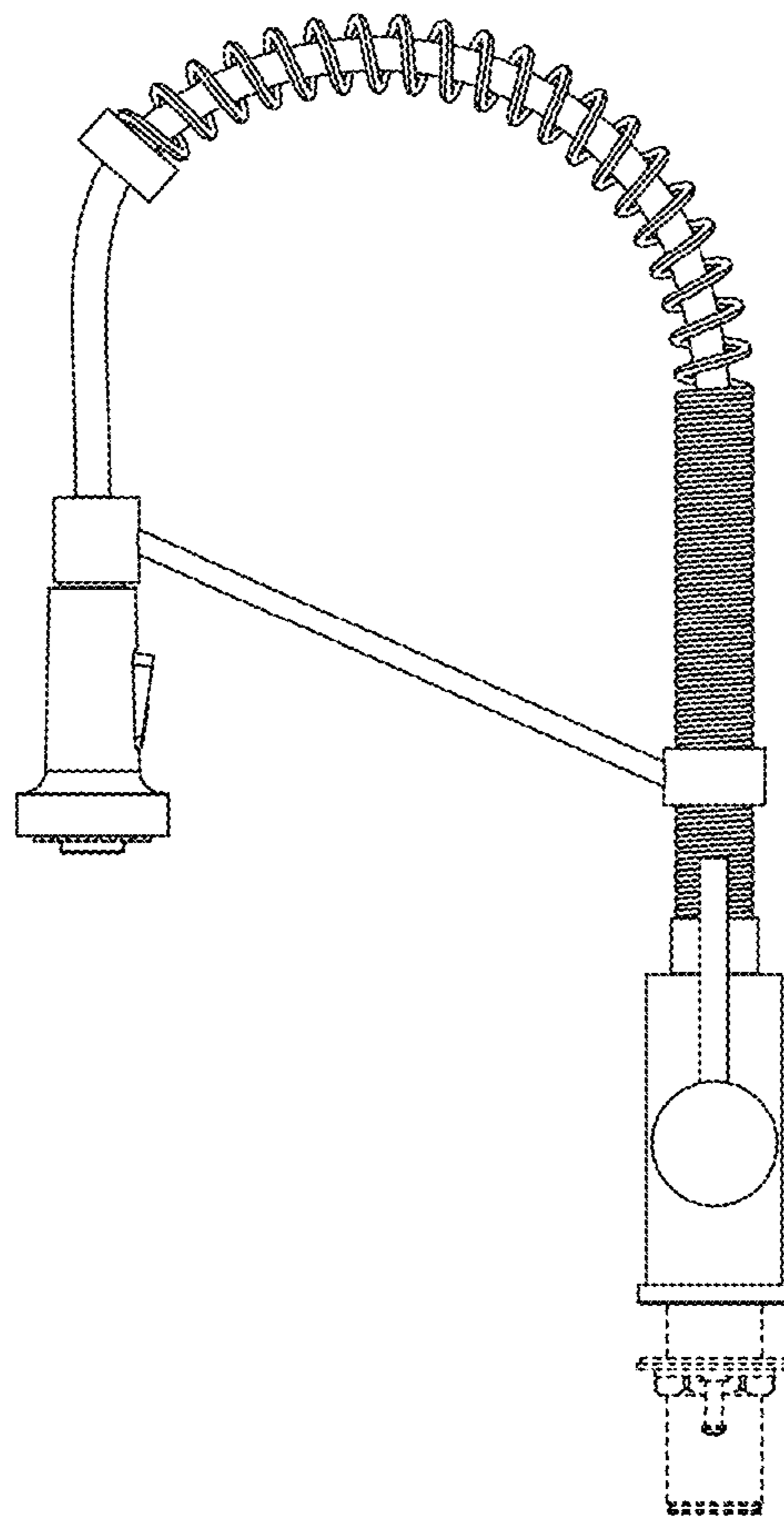


FIG. 4

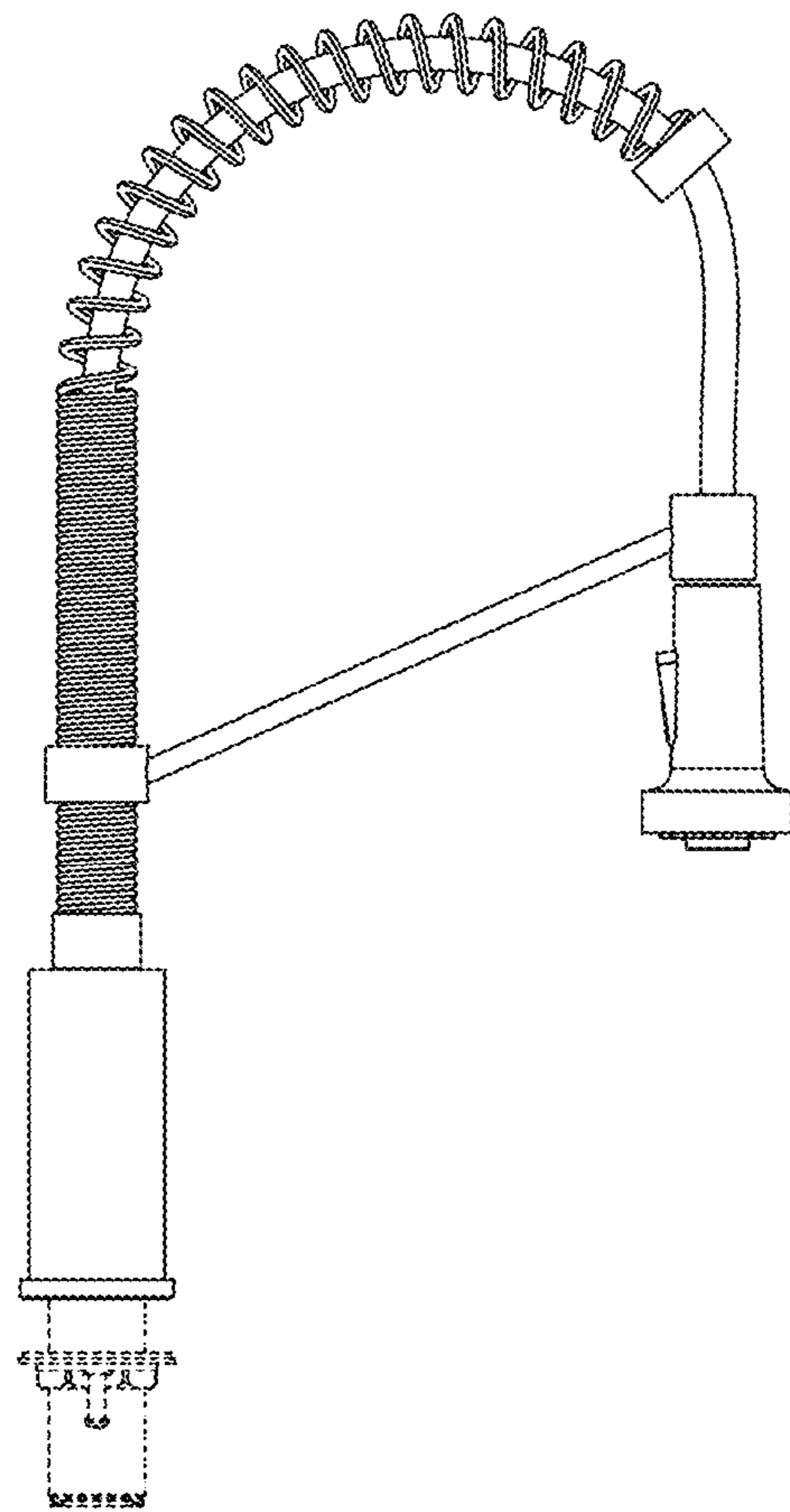


FIG. 5

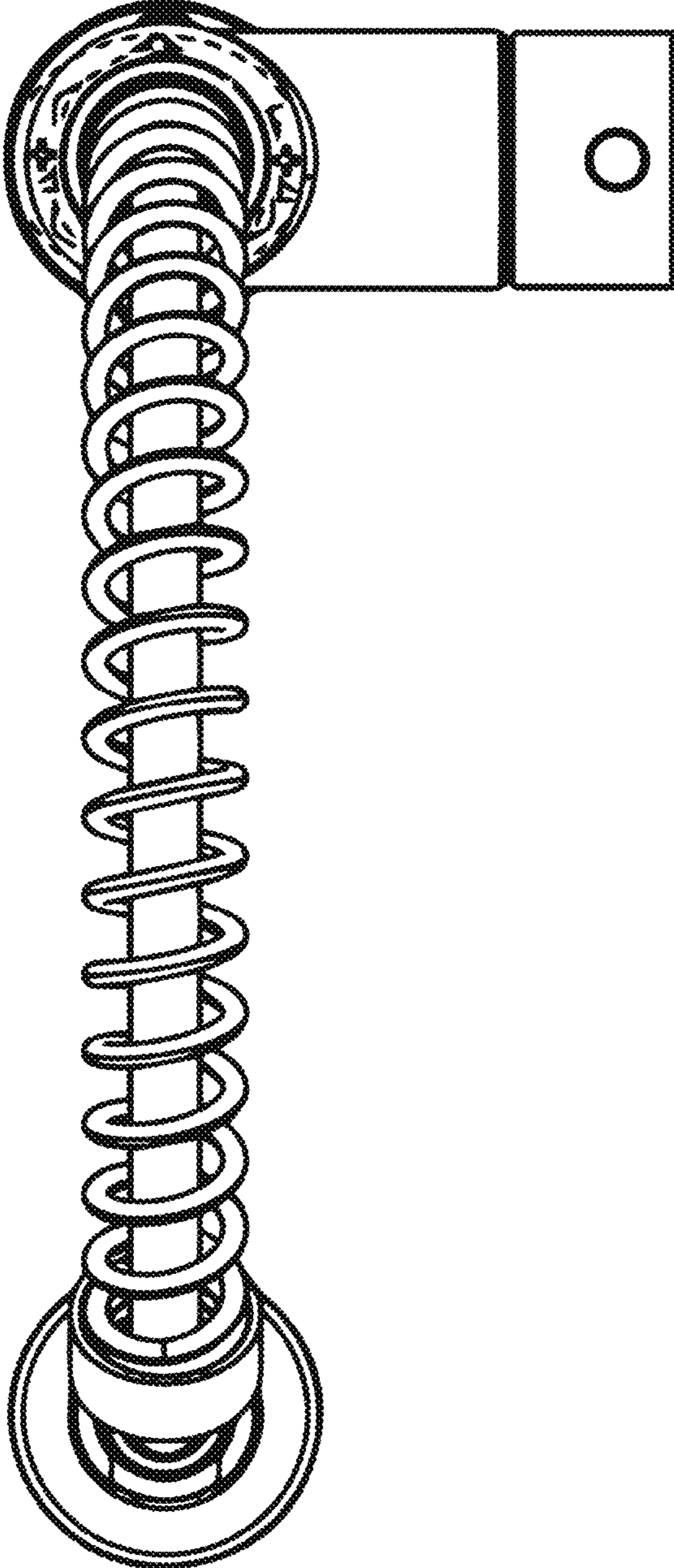


FIG. 6

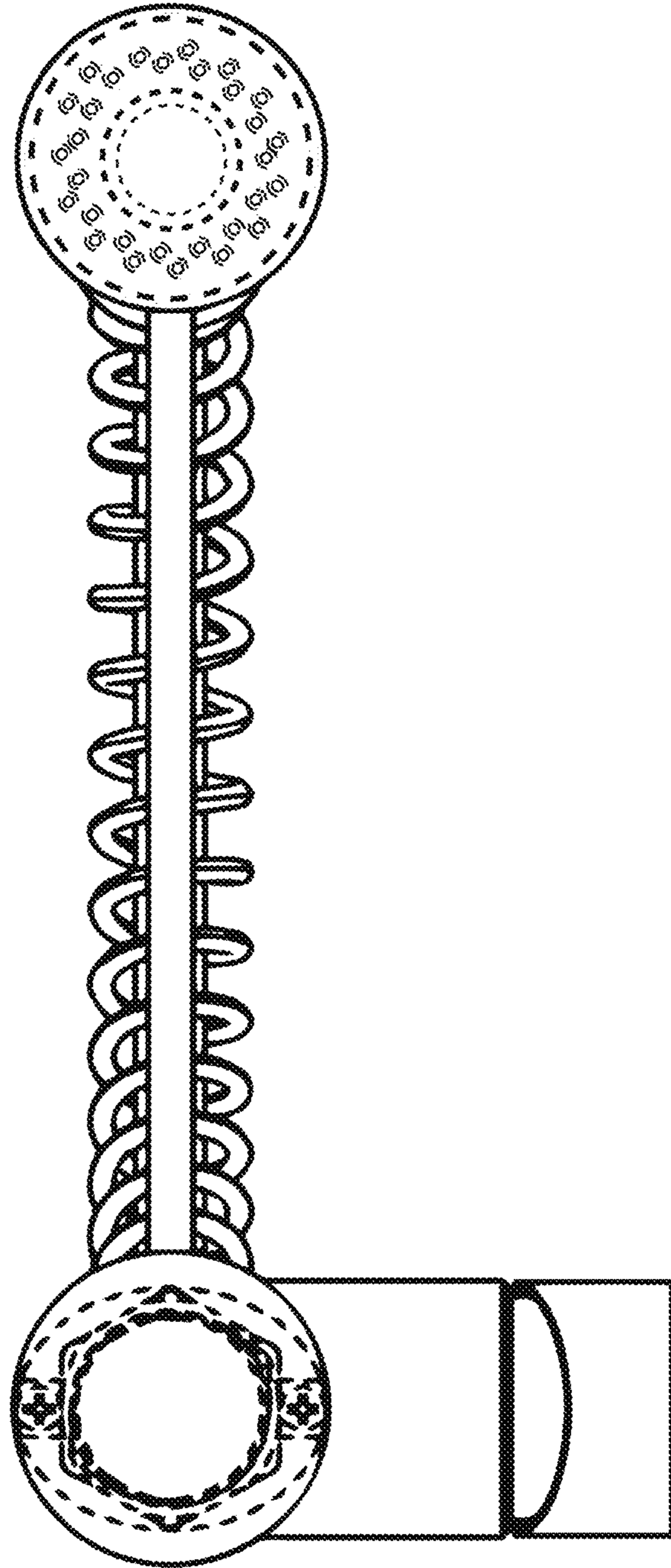


FIG. 7