



US00D857843S

(12) **United States Design Patent** (10) **Patent No.:** **US D857,843 S**
Jørgensen et al. (45) **Date of Patent:** **** *Aug. 27, 2019**

(54) **GAS REGULATOR**

(56) **References Cited**

(71) Applicant: **MICRO MATIC A/S**, Odense SV (DK)

U.S. PATENT DOCUMENTS

(72) Inventors: **Michael Jørgensen**, Odense (DK); **Benny Dahl**, Odense (DK); **Morten Helvig Larsen**, Odense (DK)

| | | | |
|--------------|--------|--------------|---------|
| D378,283 S * | 3/1997 | Diehl | D10/85 |
| D607,355 S * | 1/2010 | Horner | D10/85 |
| D633,986 S * | 3/2011 | Ito | D23/233 |
| D635,644 S * | 4/2011 | Yamada | D23/233 |
| D713,007 S * | 9/2014 | Boyer | D23/235 |
| D760,871 S * | 7/2016 | Boyer | D23/233 |
| D811,252 S * | 2/2018 | Boyer | D10/85 |
| D811,253 S * | 2/2018 | Boyer | D10/85 |
| D820,955 S * | 6/2018 | Ito | D23/235 |
| D820,956 S * | 6/2018 | Ito | D23/235 |

(73) Assignee: **MICRO MATIC A/S**, Odense SV (DK)

(*) Notice: This patent is subject to a terminal disclaimer.

* cited by examiner

(**) Term: **15 Years**

Primary Examiner — Cynthia Ramirez

Assistant Examiner — Gino Colan

(21) Appl. No.: **29/639,155**

(74) *Attorney, Agent, or Firm* — Nixon & Vanderhye P.C.

(22) Filed: **Mar. 5, 2018**

(57) **CLAIM**

The ornamental design for a gas regulator, as shown and described.

(30) **Foreign Application Priority Data**

DESCRIPTION

Sep. 8, 2017 (EM) 004246924

(51) **LOC (12) Cl.** **23-01**

(52) **U.S. Cl.**
USPC **D23/235**

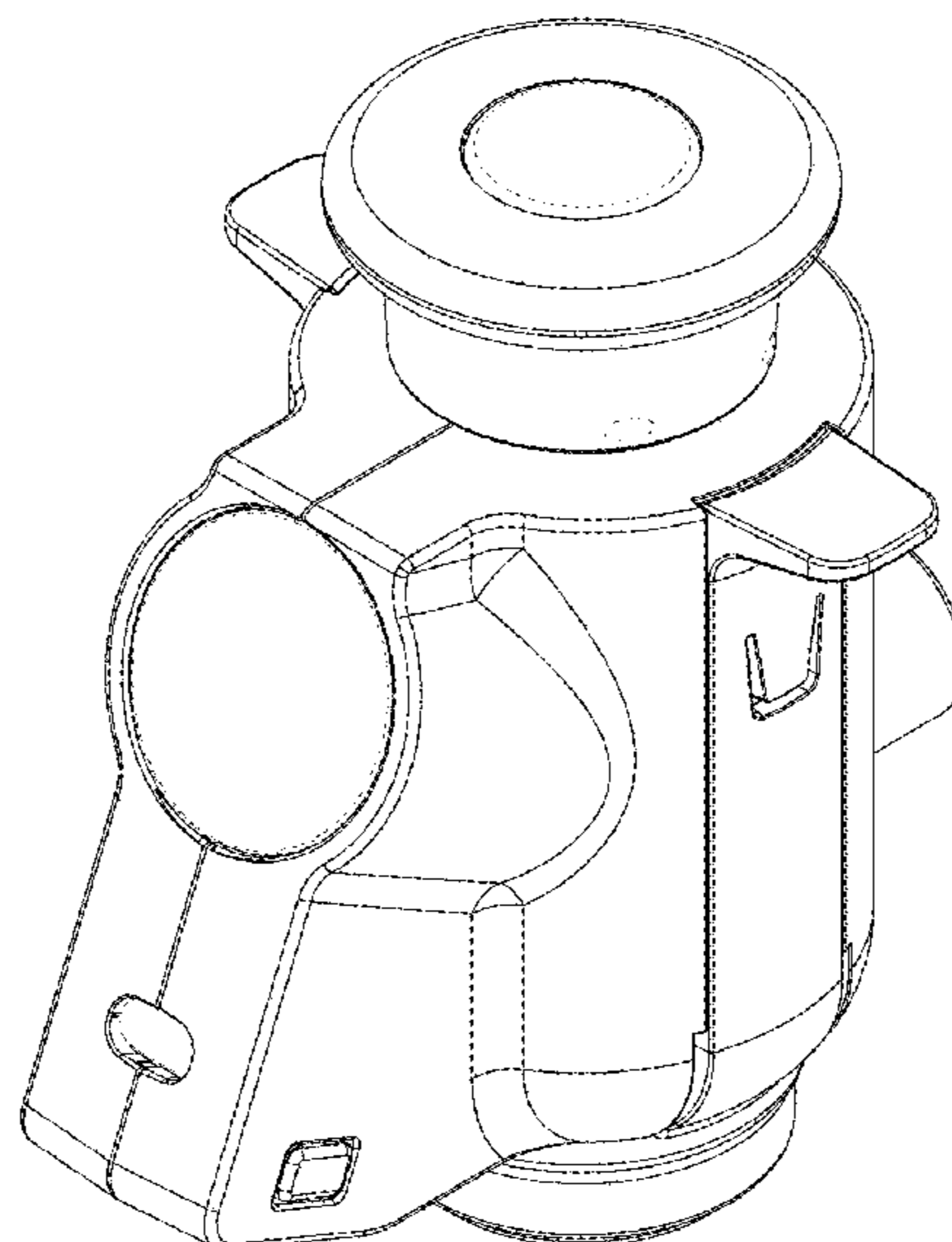
(58) **Field of Classification Search**
USPC D23/233–235, 237, 241–249; D10/85;
137/15.19, 488, 505.11, 315.04; 251/285
CPC F17C 2205/0338; F17C 2205/0332; F17C
2223/035; F17C 2250/043; F17C
2250/0626; F17C 2205/0323; F17C
2221/013; F17C 2221/014; F17C
2227/0309; F16K 17/02; F16K 47/08

FIG. 1 is a perspective view of a gas regulator according to our new ornamental design;
FIG. 2 is a front view thereof;
FIG. 3 is a rear view thereof;
FIG. 4 is a right side view thereof;
FIG. 5 is a left side view thereof;
FIG. 6 is a top view thereof; and,
FIG. 7 is a bottom view thereof.

The broken lines shown in the figures are included for the purpose of illustrating portions of the gas regulator and form no part of the claimed design.

See application file for complete search history.

1 Claim, 7 Drawing Sheets



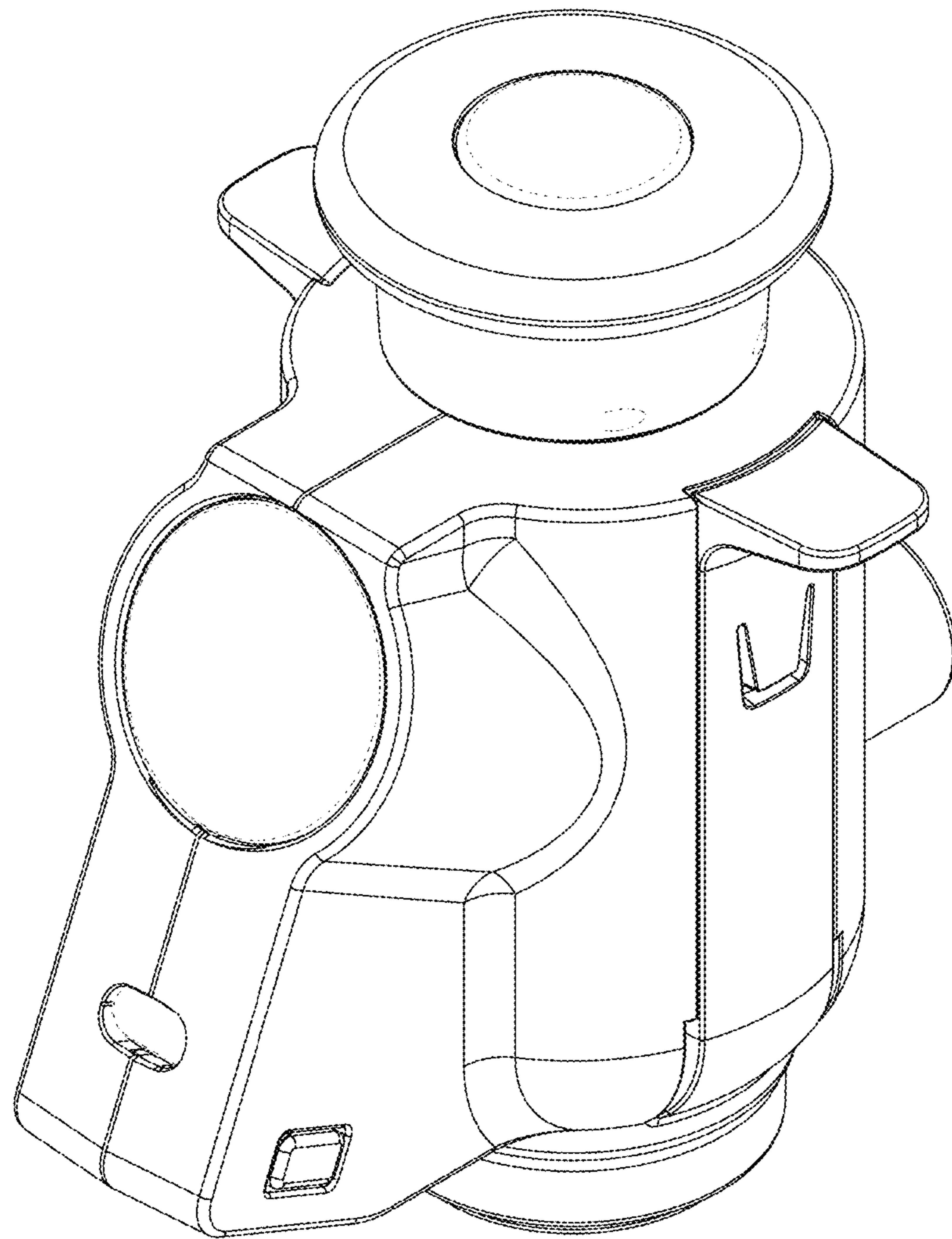


FIG. 1

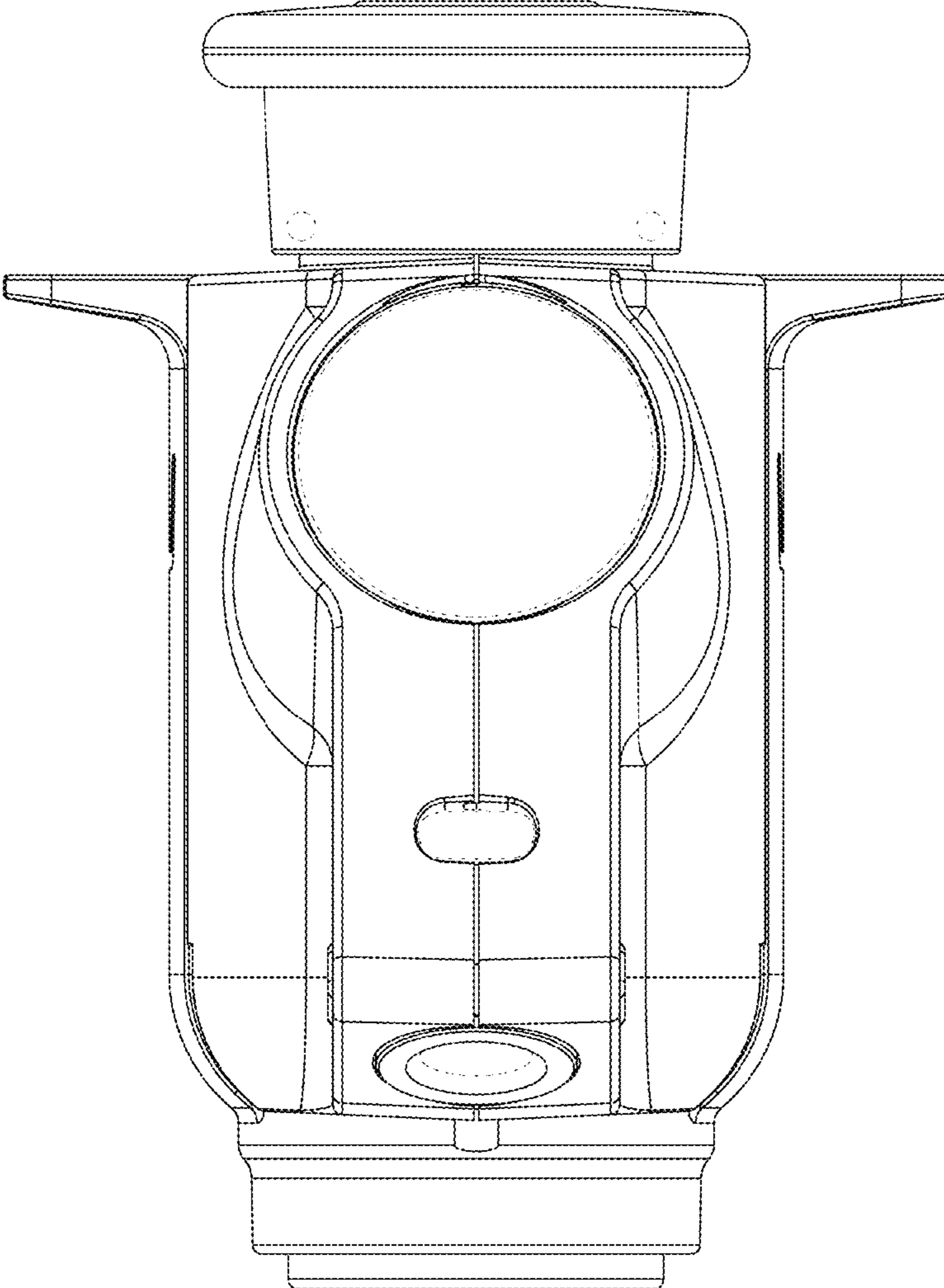


FIG. 2

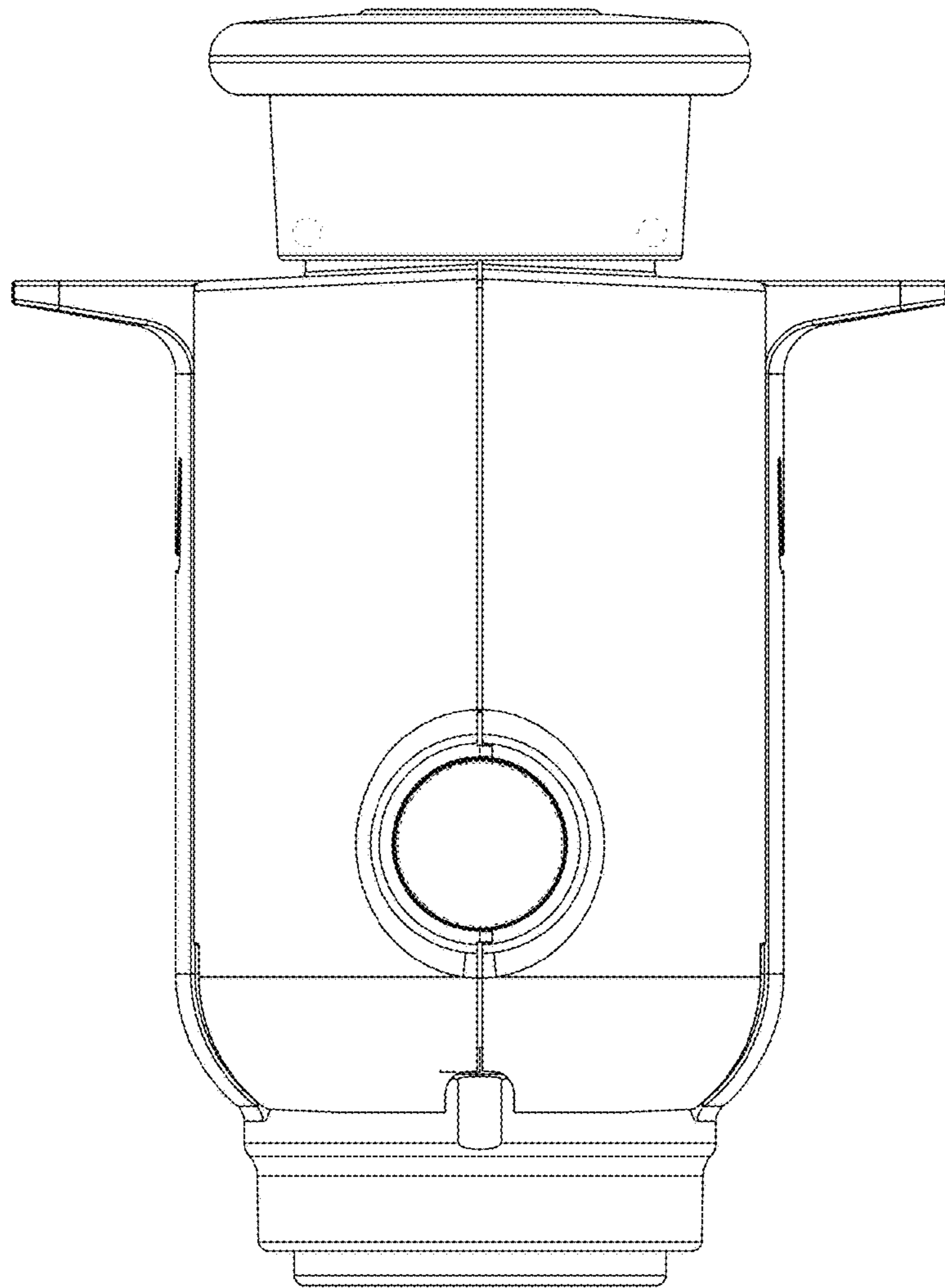


FIG. 3

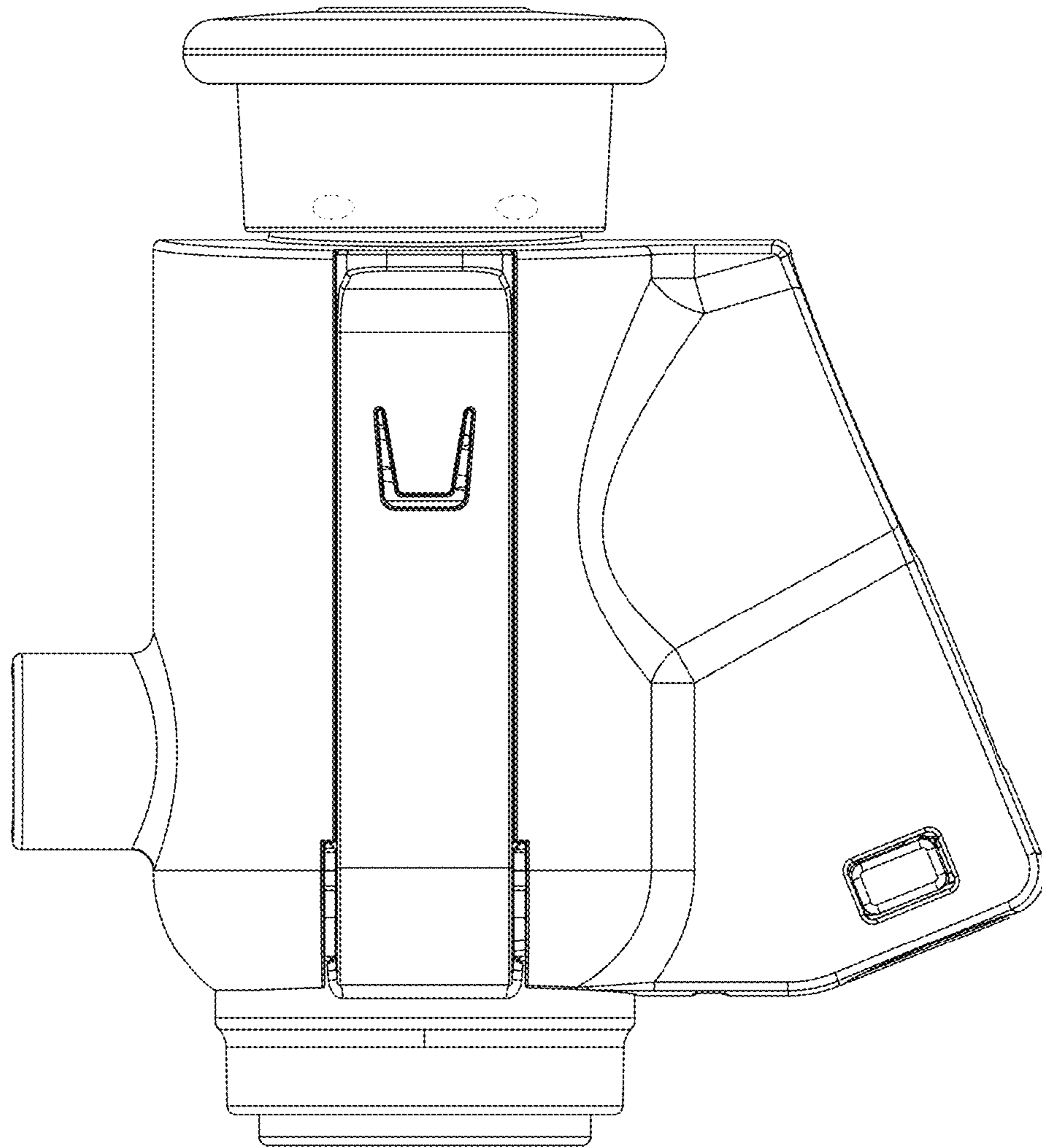


FIG. 4

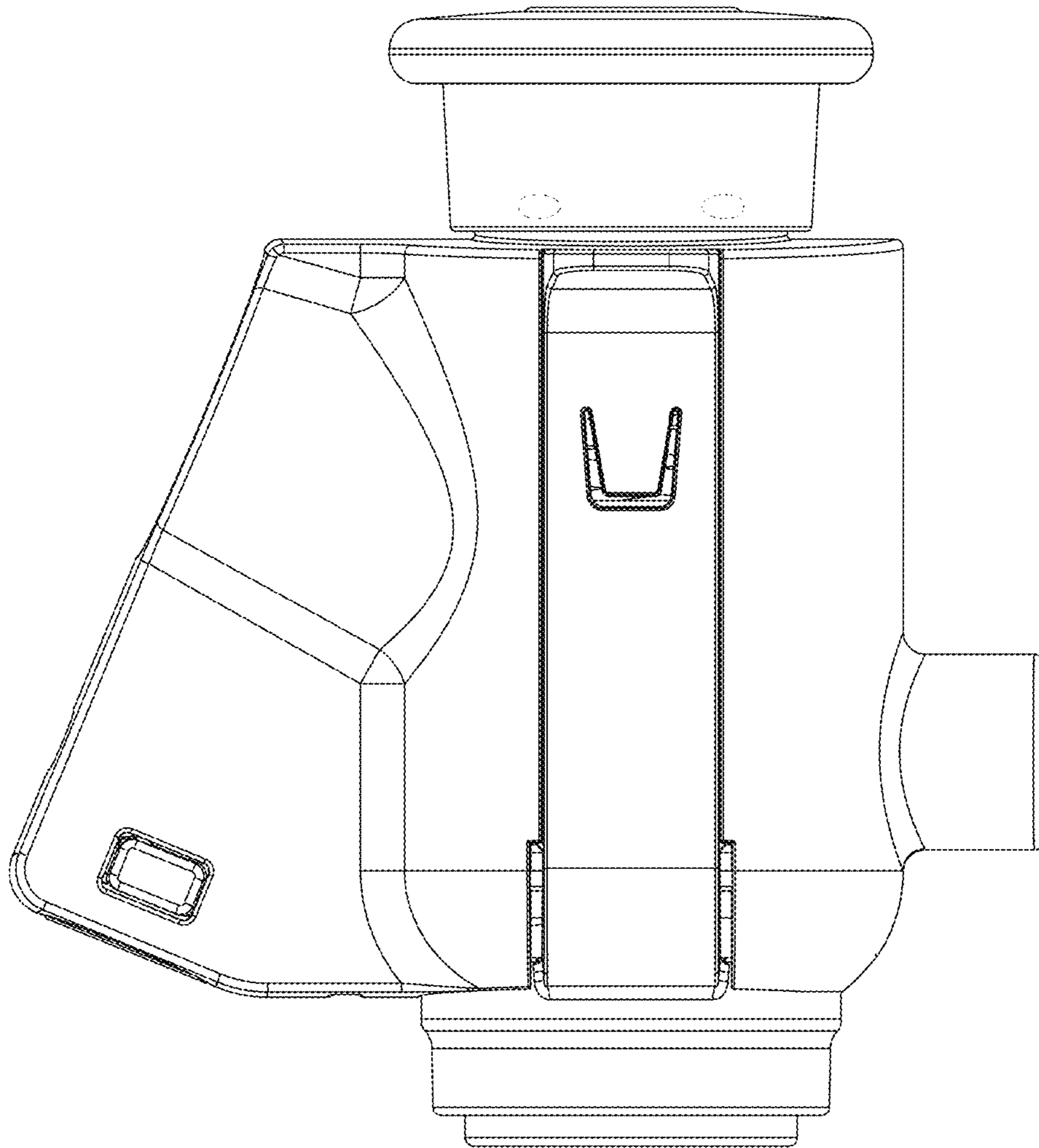


FIG. 5

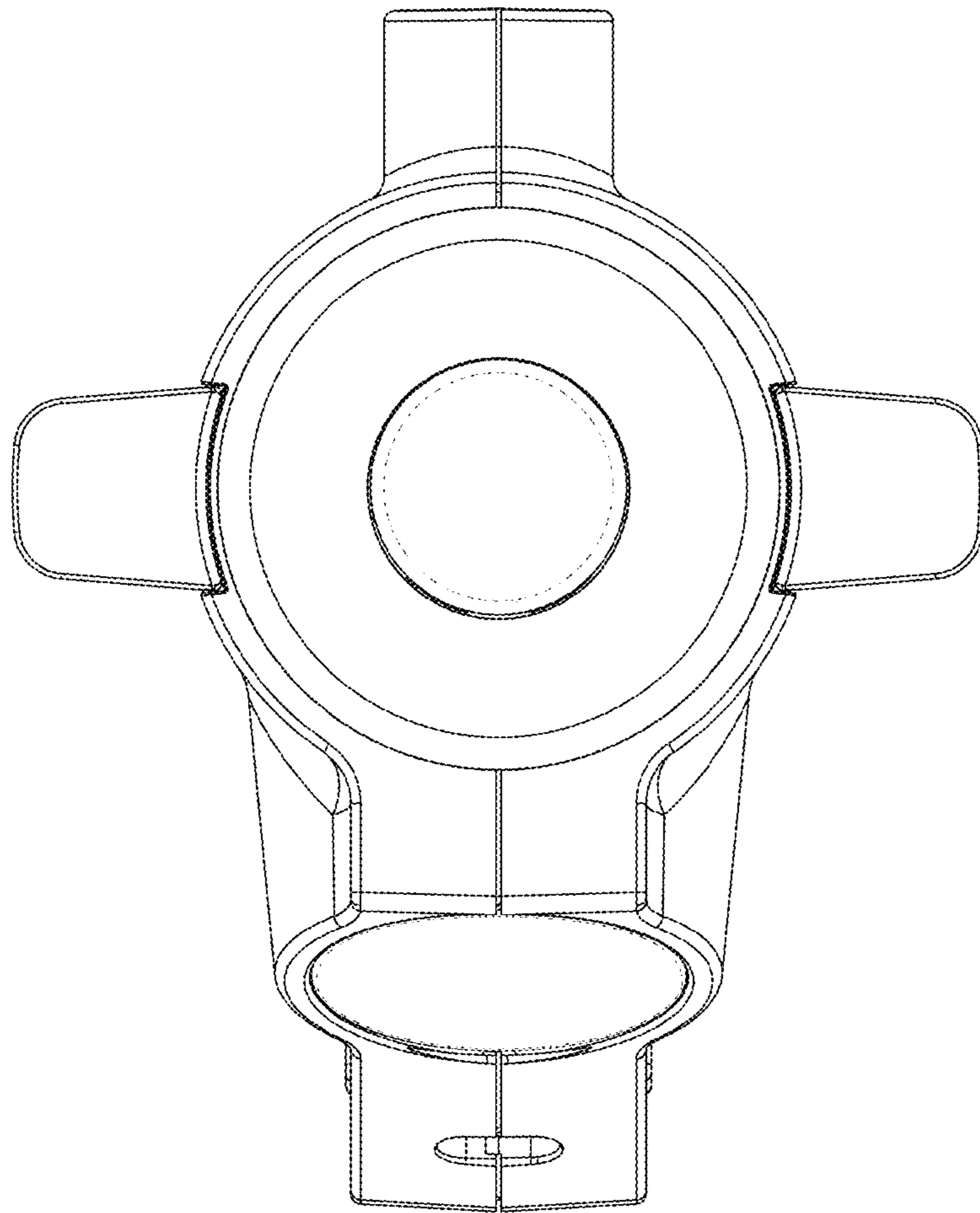


FIG. 6

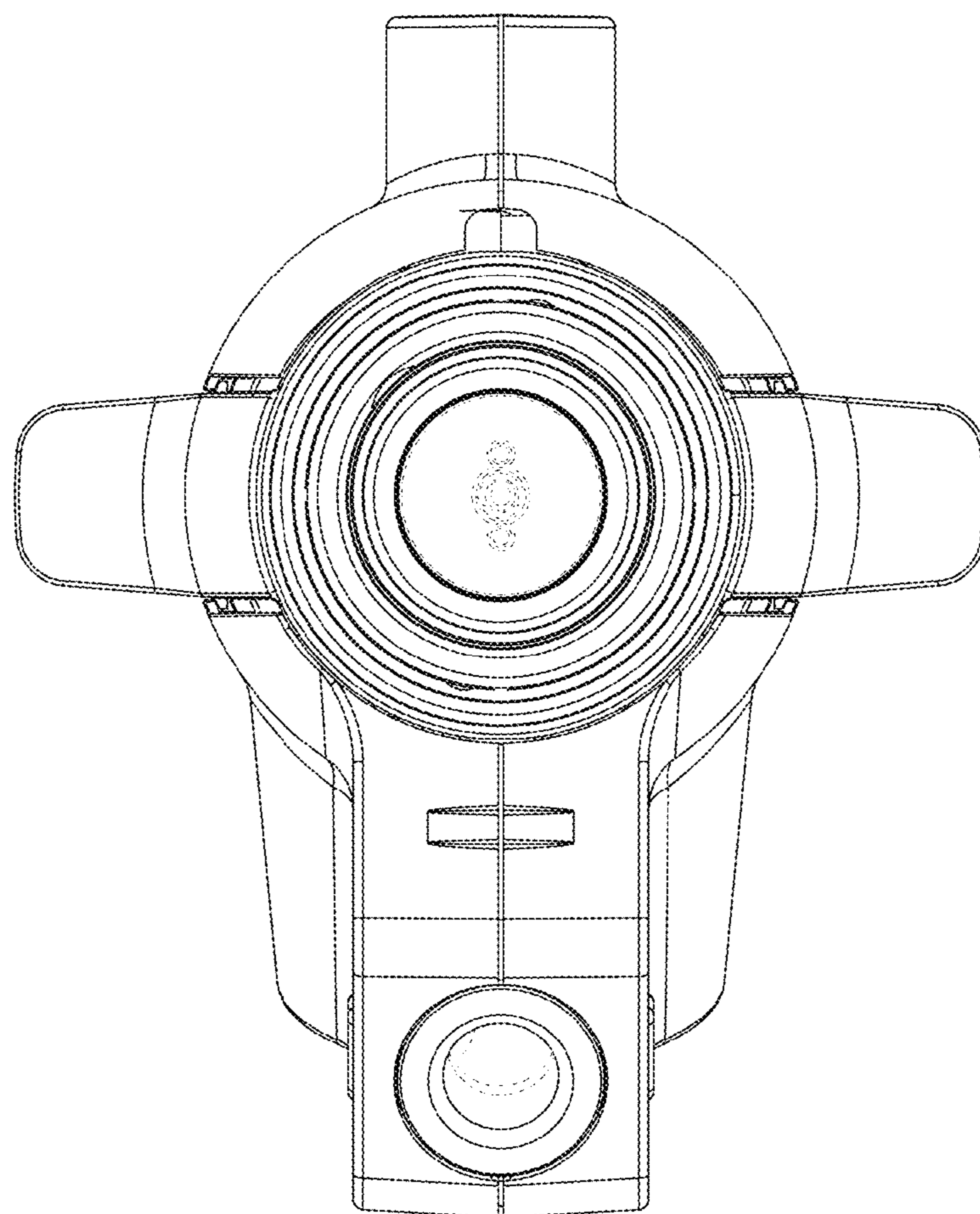


FIG. 7