



US00D857842S

(12) **United States Design Patent**
Yu

(10) **Patent No.:** **US D857,842 S**

(45) **Date of Patent:** **** Aug. 27, 2019**

(54) **SHOWER**

(71) Applicant: **Yuqi Yu, Siping (CN)**

(72) Inventor: **Yuqi Yu, Siping (CN)**

(**) Term: **15 Years**

(21) Appl. No.: **29/645,576**

(22) Filed: **Apr. 27, 2018**

(30) **Foreign Application Priority Data**

Nov. 8, 2017 (CN) 2017 3 0547737

(51) **LOC (12) Cl.** **23-01**

(52) **U.S. Cl.**
USPC **D23/213**

(58) **Field of Classification Search**
USPC D23/213, 214, 215, 223, 224, 226, 229,
D23/230

CPC A61H 9/0021; A61H 33/00; B05B 1/00;
B05B 1/14; B05B 1/185; B05B 1/08;
B05B 1/02; B05B 1/26; B05B 12/002;
B05B 1/18; B05B 9/01

See application file for complete search history.

(56) **References Cited**

U.S. PATENT DOCUMENTS

D286,319 S *	10/1986	Mathis	D23/261
D459,431 S *	6/2002	Rosenberg	D23/212
D550,819 S *	9/2007	Seehoff	D23/261
D680,619 S *	4/2013	Zhadanov	D23/223
D681,776 S *	5/2013	Cutler	D23/223
D694,357 S *	11/2013	Brodey	D23/213
D694,359 S *	11/2013	Schoenherr	D23/213
D707,330 S *	6/2014	Schoenherr	D23/223
D713,004 S *	9/2014	Schoenherr	D23/223
D713,496 S *	9/2014	Schoenherr	D23/213
D730,493 S *	5/2015	Sehl	D23/261
D733,258 S *	6/2015	Sandee	D23/223

D737,931 S *	9/2015	Schoenherr	D23/223
D737,932 S *	9/2015	Nikles	D23/223
D746,955 S *	1/2016	Corder	D23/261
D778,404 S *	2/2017	Schoenherr	D23/223
D779,039 S *	2/2017	Hanna	D23/223
D801,475 S *	10/2017	Naslund	D23/213
D803,350 S *	11/2017	Tian	D23/213
D808,499 S *	1/2018	Naslund	D23/213
D809,094 S *	1/2018	Naslund	D23/213
D810,233 S *	2/2018	Winter	D23/213
D810,861 S *	2/2018	Weaver	D23/213
D811,524 S *	2/2018	Bossini	D23/223
D820,388 S *	6/2018	Seum	D23/213
D820,949 S *	6/2018	Reinecker	D23/213
D821,542 S *	6/2018	Reinecker	D23/213
D824,485 S *	7/2018	Montoya	D23/213
D833,575 S *	11/2018	Soulier	D23/223
D839,384 S *	1/2019	Svendsen	D23/213
D840,503 S *	2/2019	Stein	D23/213
D841,121 S *	2/2019	Kiefer	D23/213
D841,125 S *	2/2019	Lai	D23/223
D842,429 S *	3/2019	Huang	D23/213

(Continued)

Primary Examiner — Robin V Webster

Assistant Examiner — Keith J Wilson

(74) *Attorney, Agent, or Firm* — Bay State IP, LLC

(57) **CLAIM**

I claim the ornamental design for a shower, as shown and described.

DESCRIPTION

FIG. 1 is a front perspective view of the shower showing my new design;

FIG. 2 is a front view thereof;

FIG. 3 is a back view thereof;

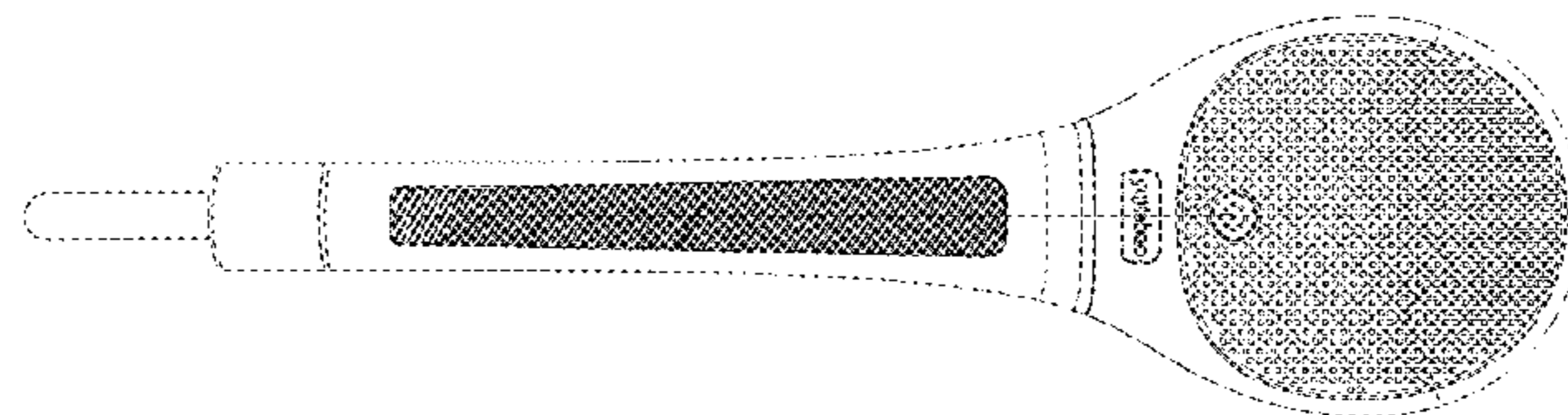
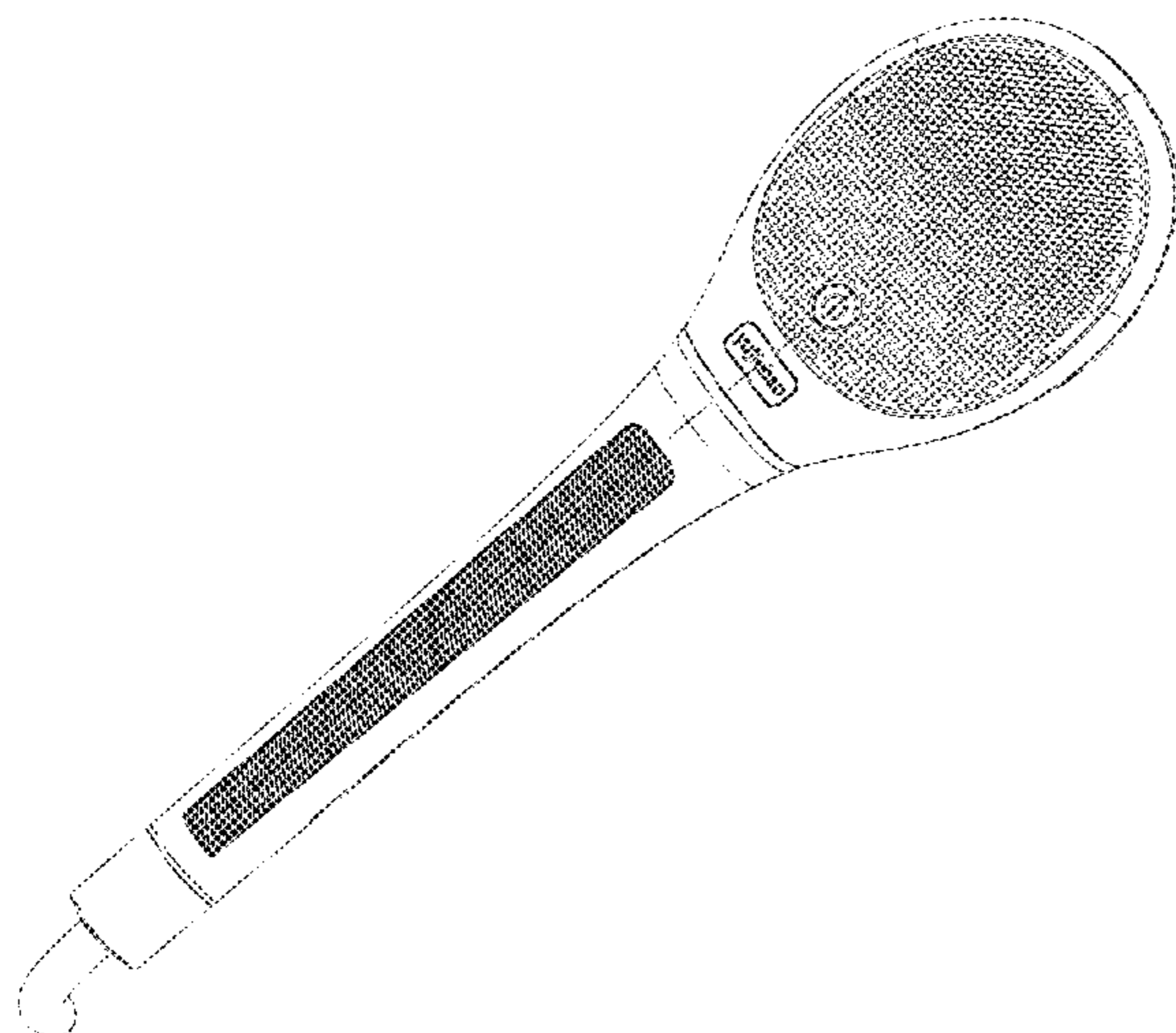
FIG. 4 is a top view thereof;

FIG. 5 is a bottom view thereof;

FIG. 6 is a right side view thereof; and,

FIG. 7 is a left side view thereof.

1 Claim, 4 Drawing Sheets



(56)

References Cited

U.S. PATENT DOCUMENTS

D842,430 S * 3/2019 Huang D23/213
D842,431 S * 3/2019 Cacka D23/213
D842,967 S * 3/2019 Farley D23/213

* cited by examiner

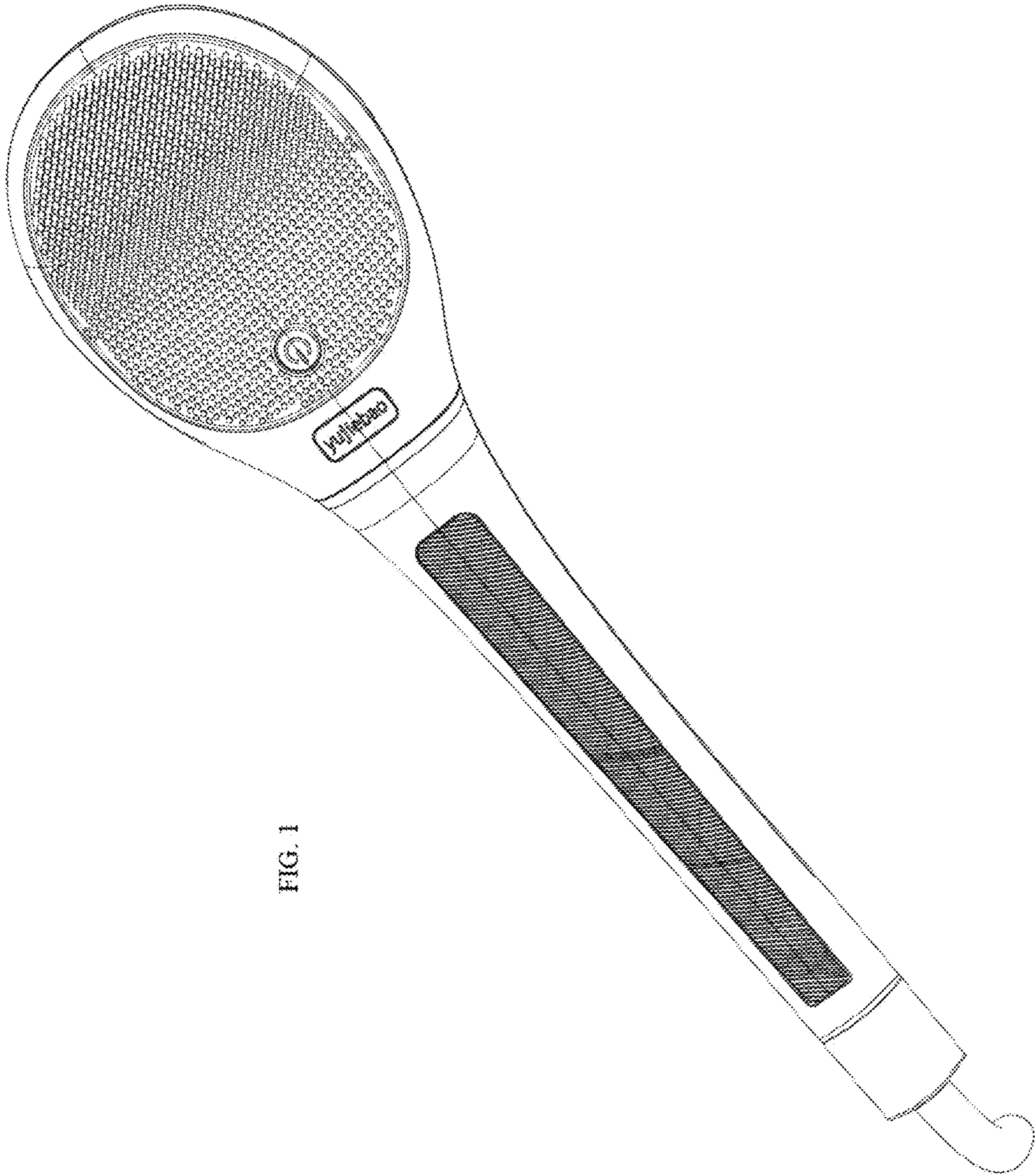


FIG. 1

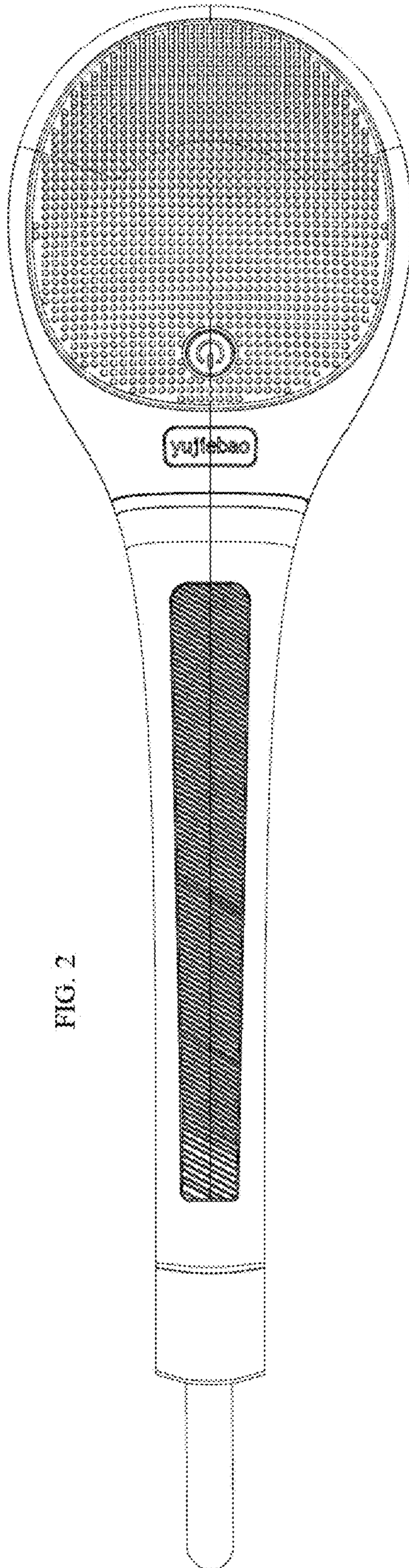


FIG. 2

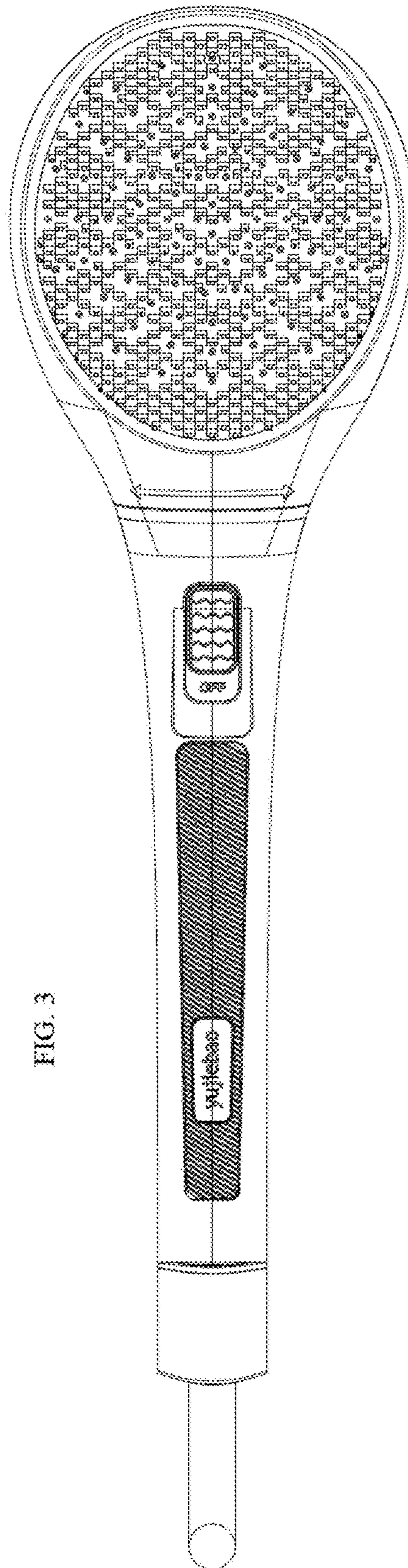


FIG. 3

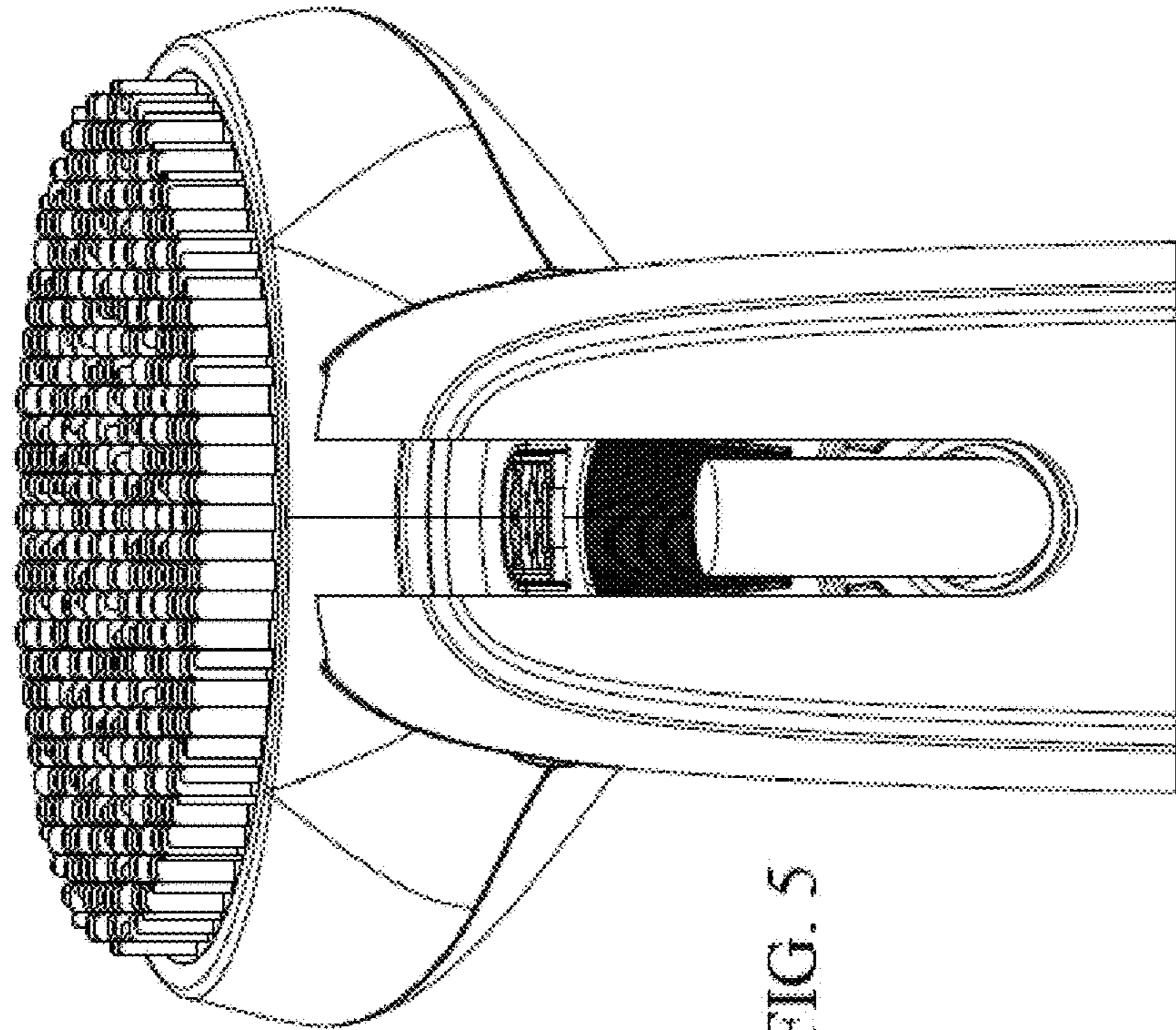


FIG. 5

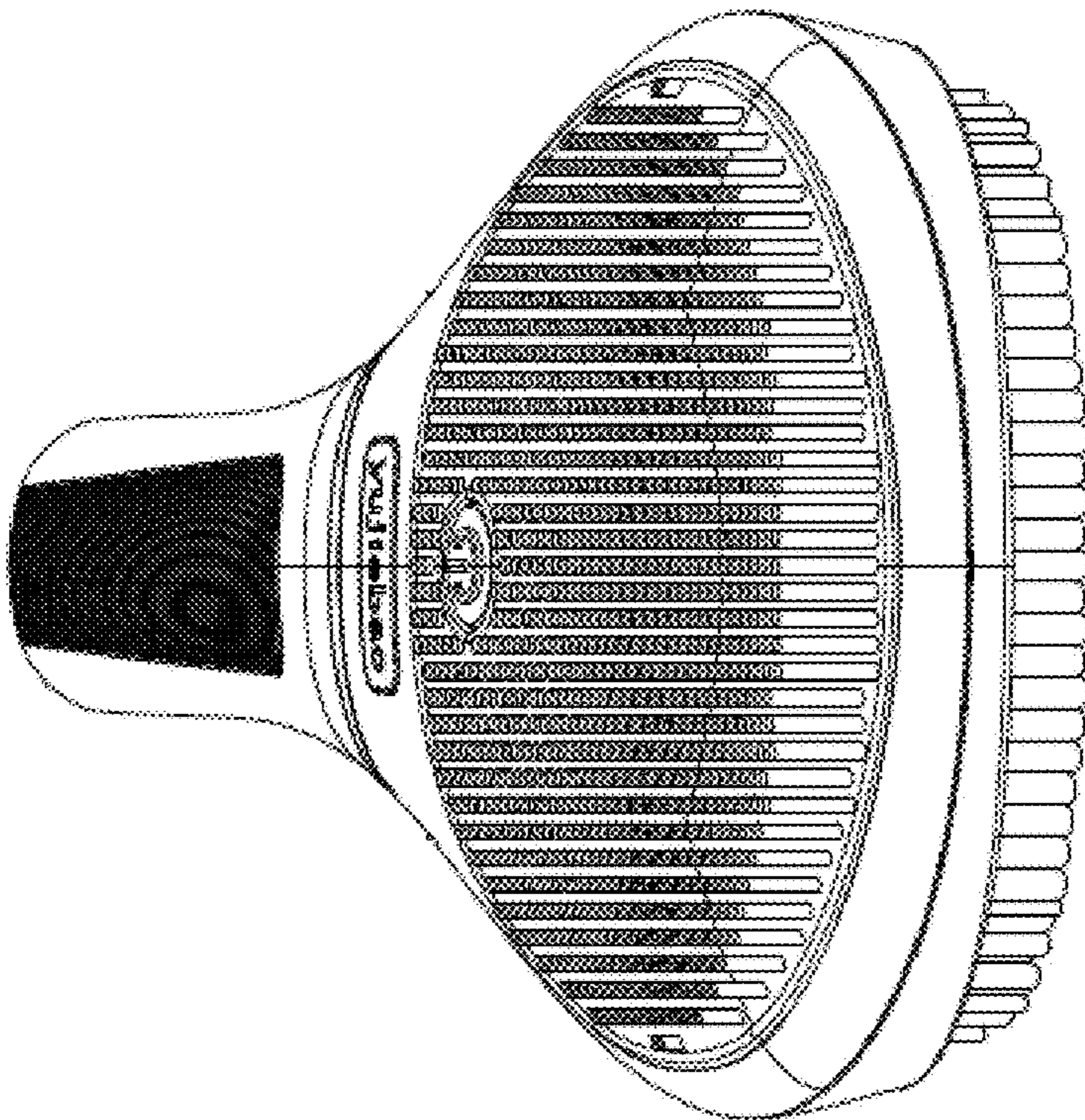


FIG. 4

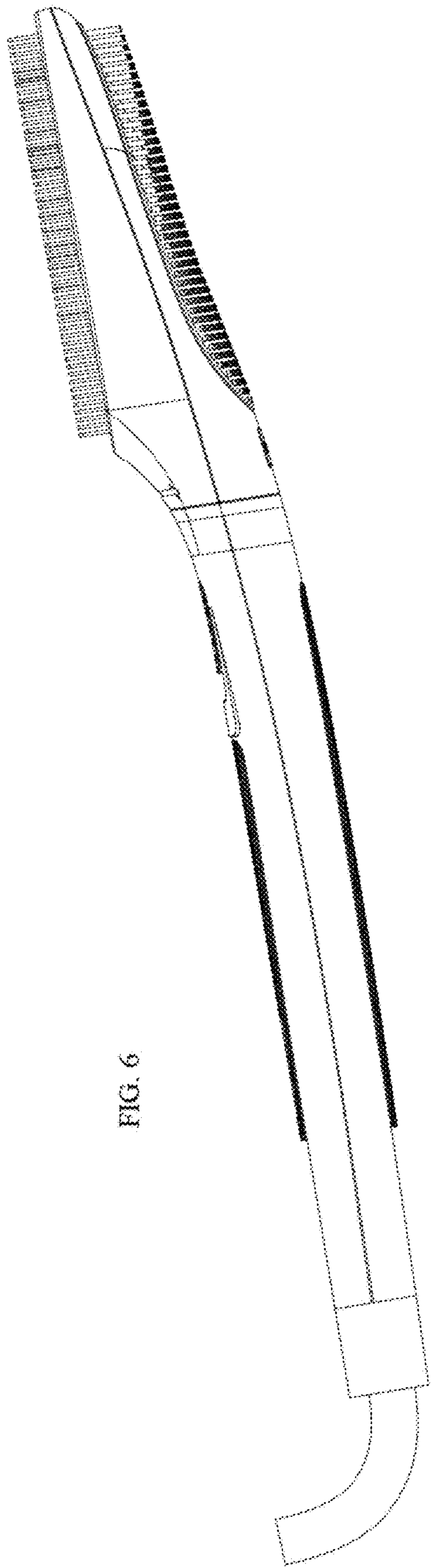


FIG. 6

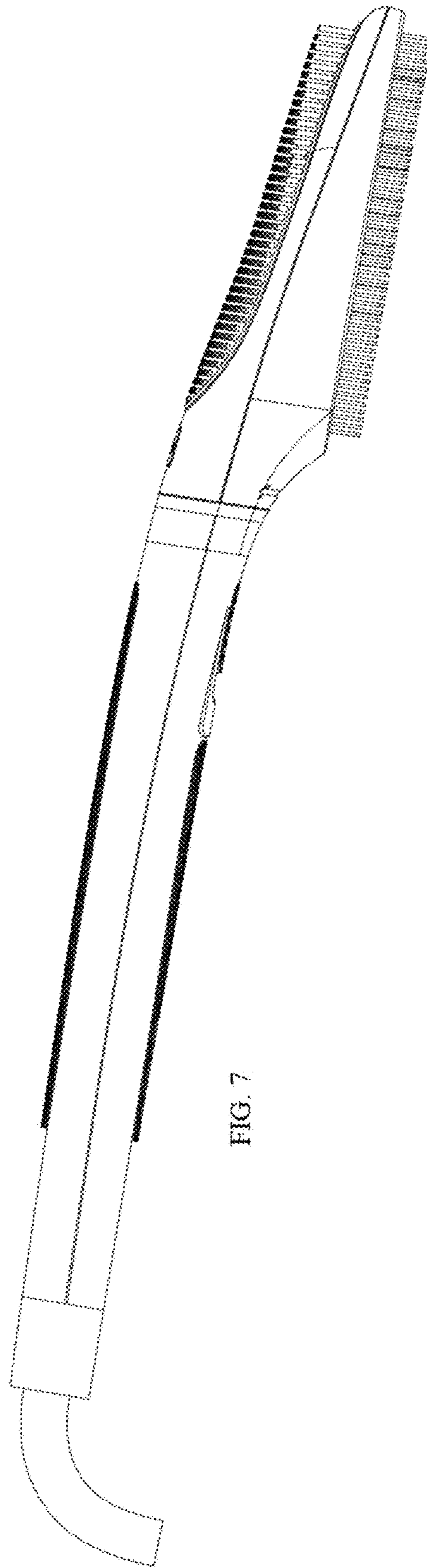


FIG. 7