



US00D857841S

(12) **United States Design Patent**
Lu

(10) **Patent No.:** **US D857,841 S**

(45) **Date of Patent:** **** Aug. 27, 2019**

(54) **REFRIGERATOR FILTER**

(71) Applicant: **TIANJIN TIANCHUANG BEST PURE ENVIRONMENTAL SCIENCE AND TECHNOLOGY CO., LTD., Tianjin (CN)**

(72) Inventor: **Ying Lu, Tianjin (CN)**

(**) Term: **15 Years**

(21) Appl. No.: **29/637,850**

(22) Filed: **Feb. 22, 2018**

(30) **Foreign Application Priority Data**

Jan. 22, 2018 (CN) 2018 3 0028582

(51) **LOC (12) Cl.** **23-01**

(52) **U.S. Cl.**
USPC **D23/209**

(58) **Field of Classification Search**
USPC D23/207, 209, 228
CPC B05B 1/18; C02F 1/003; B01D 24/10;
B01D 35/30; B01D 35/153; B01D 27/08;
B01D 2201/30; B01D 2201/29
See application file for complete search history.

(56) **References Cited**

U.S. PATENT DOCUMENTS

6,325,929 B1 * 12/2001 Bassett B01D 61/18
210/238
D547,822 S * 7/2007 Kennedy B01D 35/30
D23/207

8,246,883 B2 * 8/2012 Bassett B01D 35/30
210/312
8,354,024 B2 * 1/2013 Ihle B01D 35/30
210/238
D752,707 S * 3/2016 Huda D23/209
D762,812 S * 8/2016 Branscomb D23/209
D776,237 S * 1/2017 Dong D23/207
D820,948 S * 6/2018 An D23/209
D835,752 S * 12/2018 Spiegel D23/209

* cited by examiner

Primary Examiner — Lakiya G Rogers

Assistant Examiner — John A Voytek

(74) *Attorney, Agent, or Firm* — Yanling Jiang; JiangIP LLC

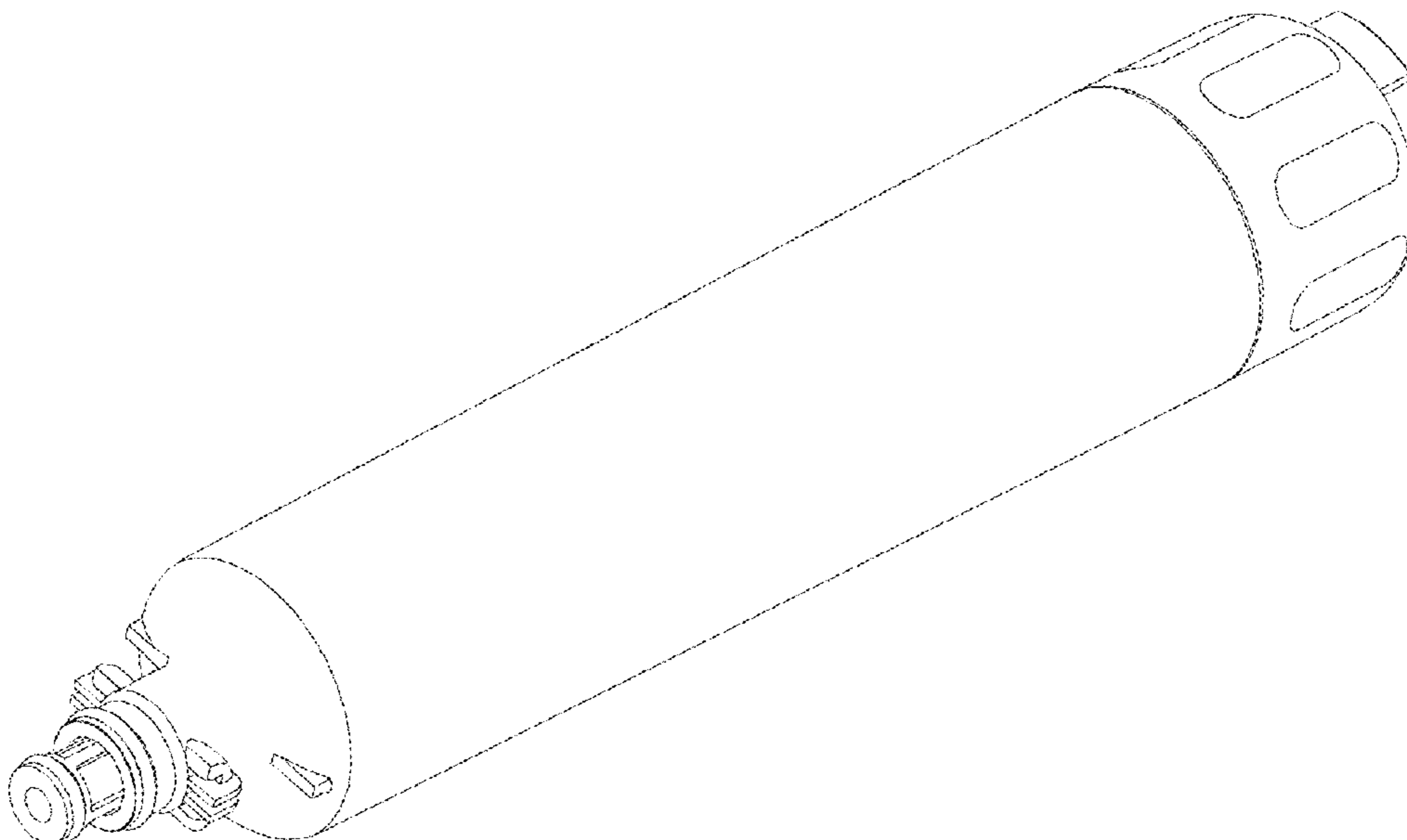
(57) **CLAIM**

The ornamental design for a refrigerator filter, as shown and described.

DESCRIPTION

FIG. 1 is a front view of a refrigerator filter showing my new design;
FIG. 2 is a rear view thereof;
FIG. 3 is a top view thereof;
FIG. 4 is an enlarged top view thereof;
FIG. 5 is a bottom view thereof;
FIG. 6 is an enlarged bottom view thereof;
FIG. 7 is a left side view thereof;
FIG. 8 is a right side view thereof; and,
FIG. 9 is a perspective view thereof.

1 Claim, 7 Drawing Sheets



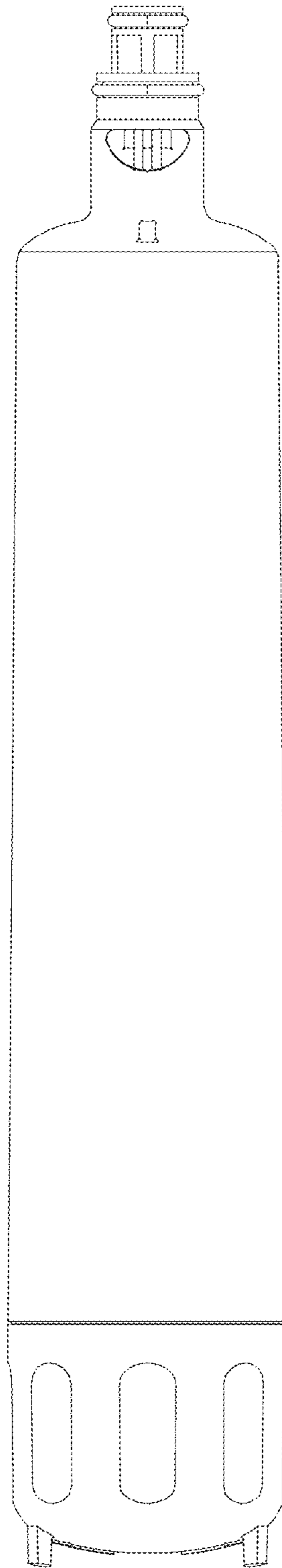


Fig. 1

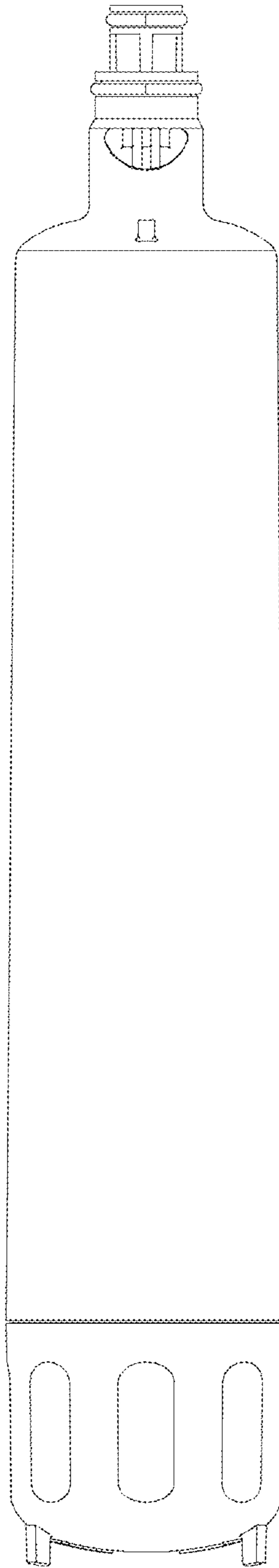


Fig. 2

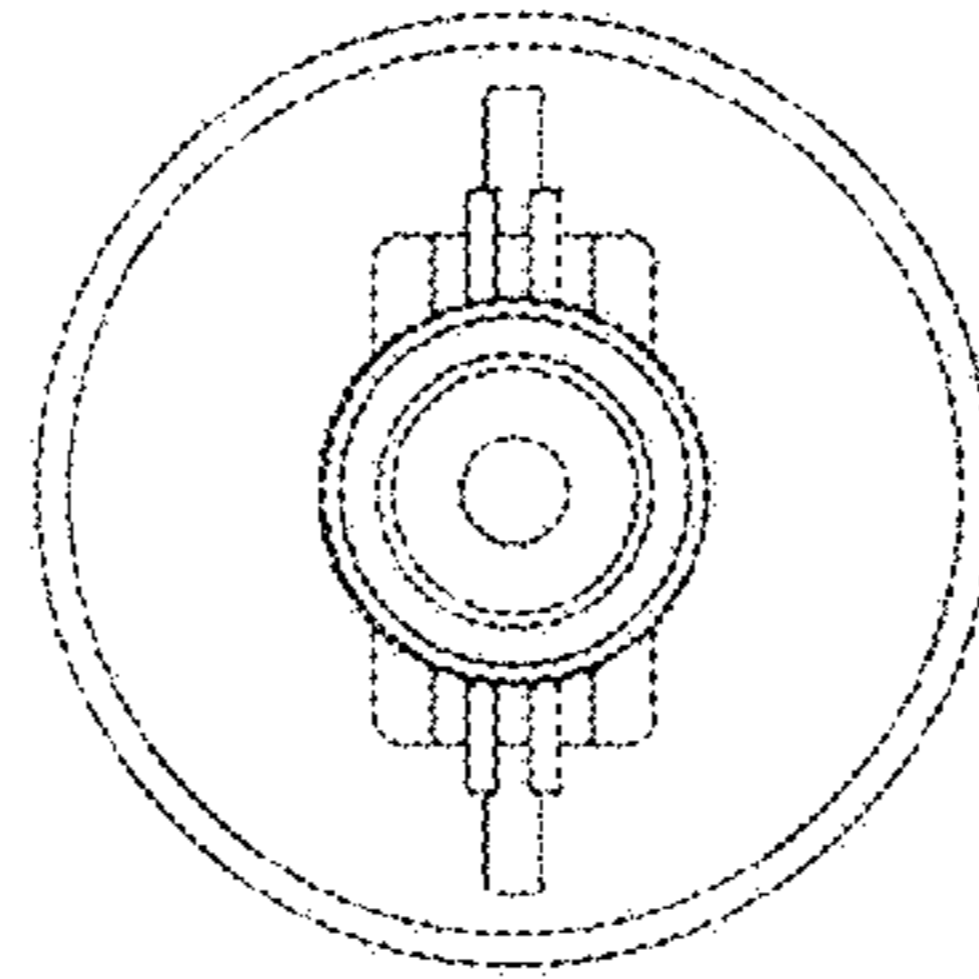


Fig. 3

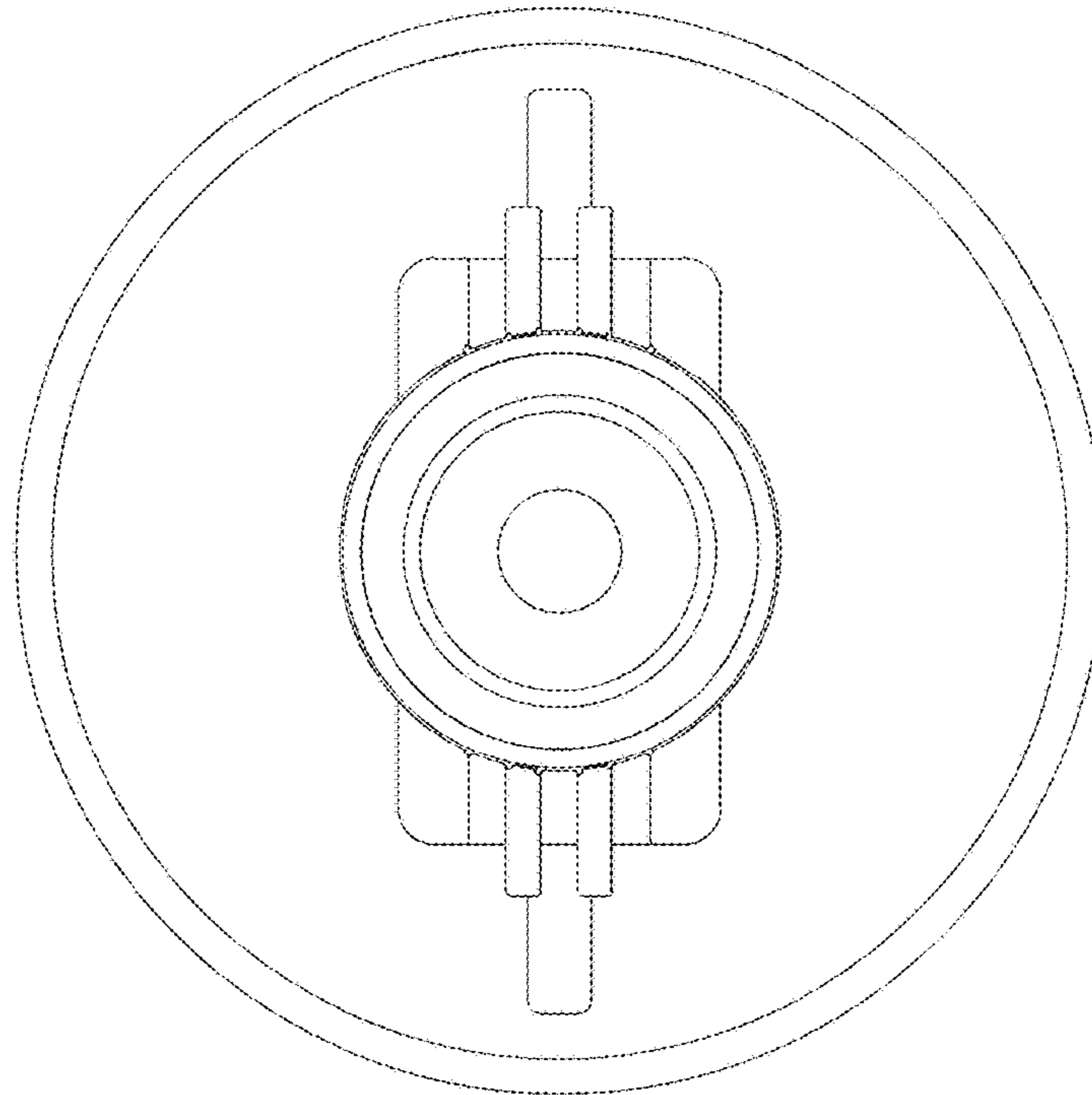


Fig. 4

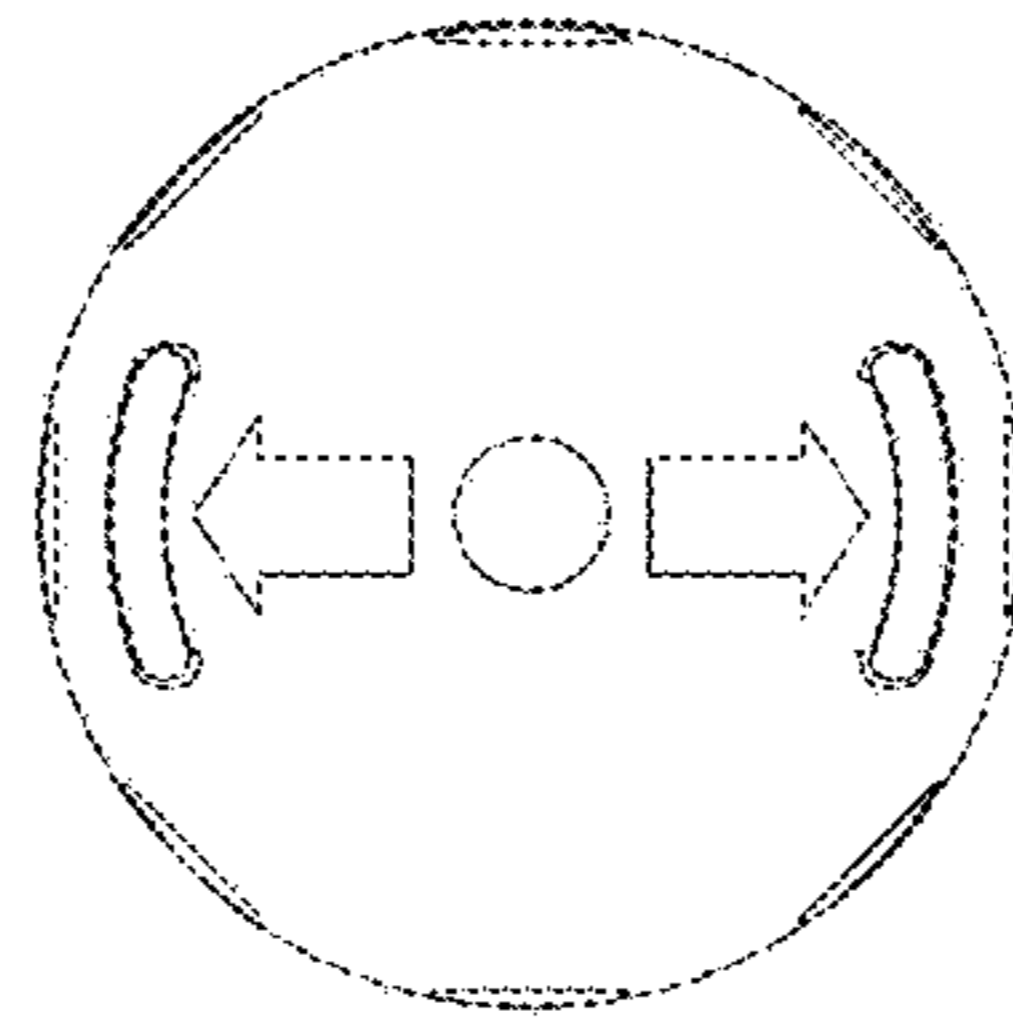


Fig. 5

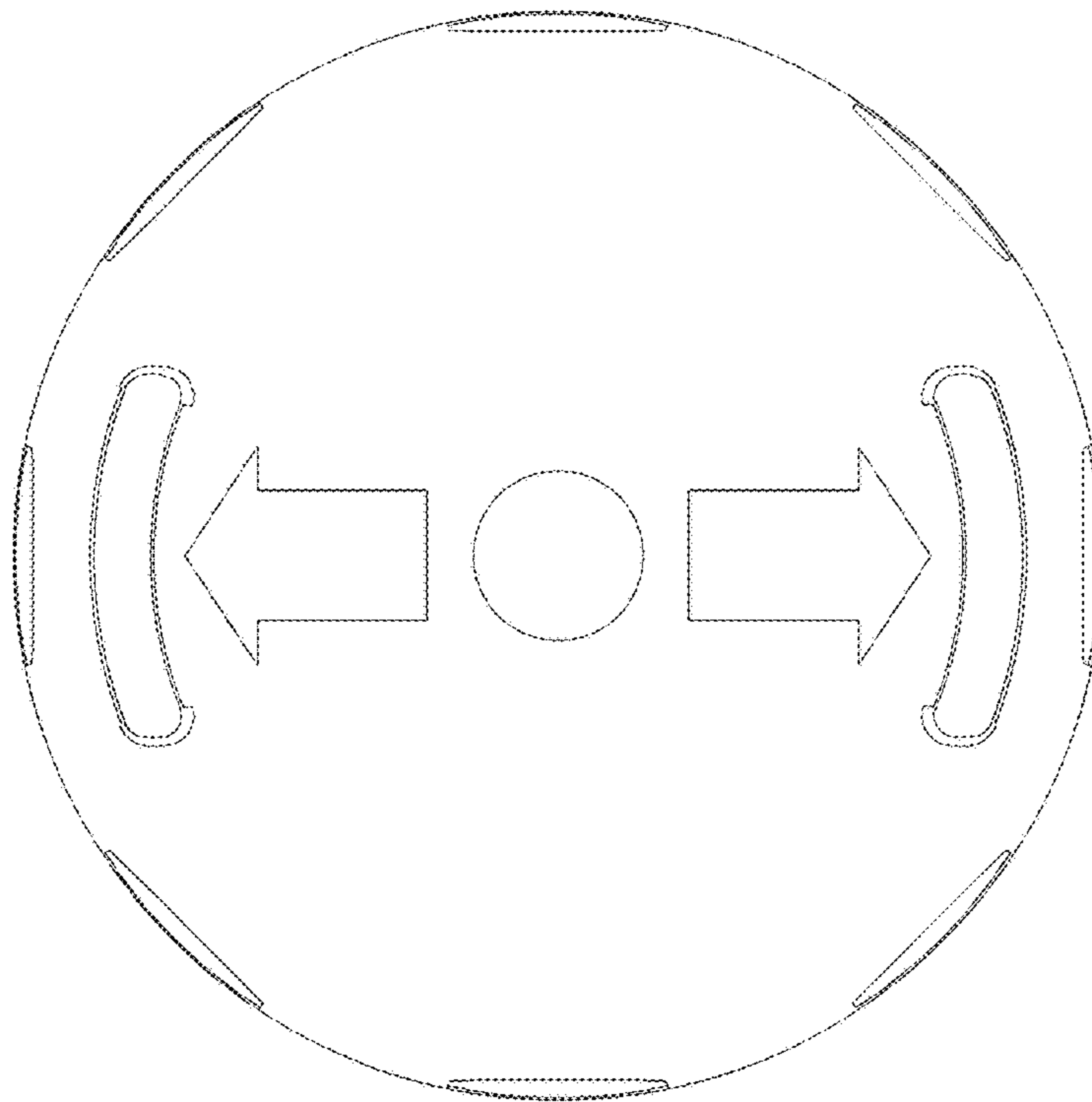


Fig. 6

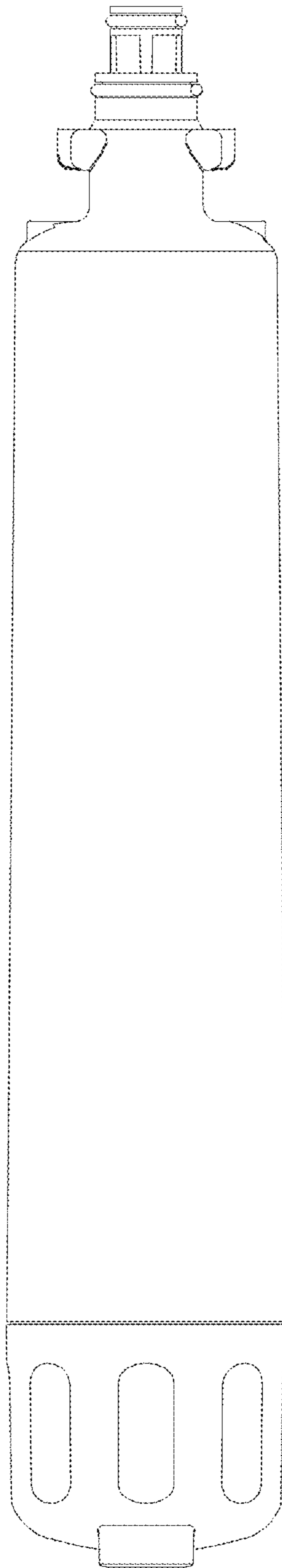


Fig. 7

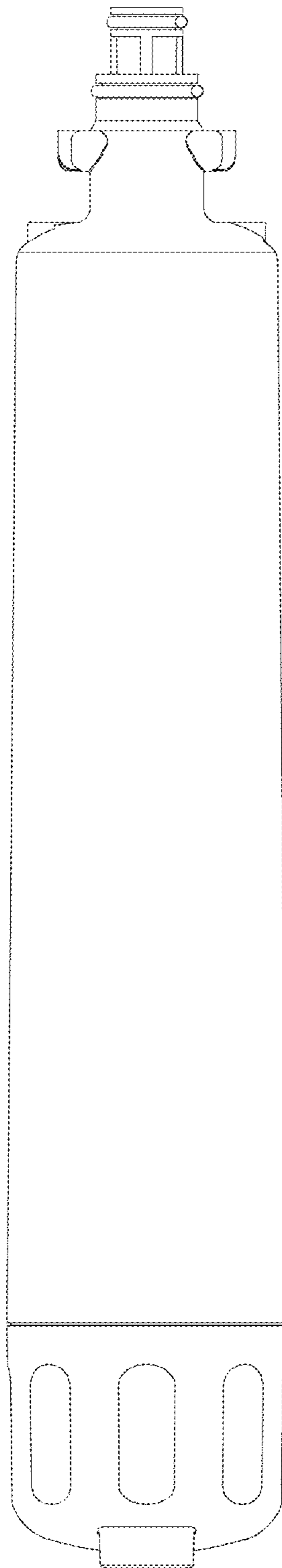


Fig. 8

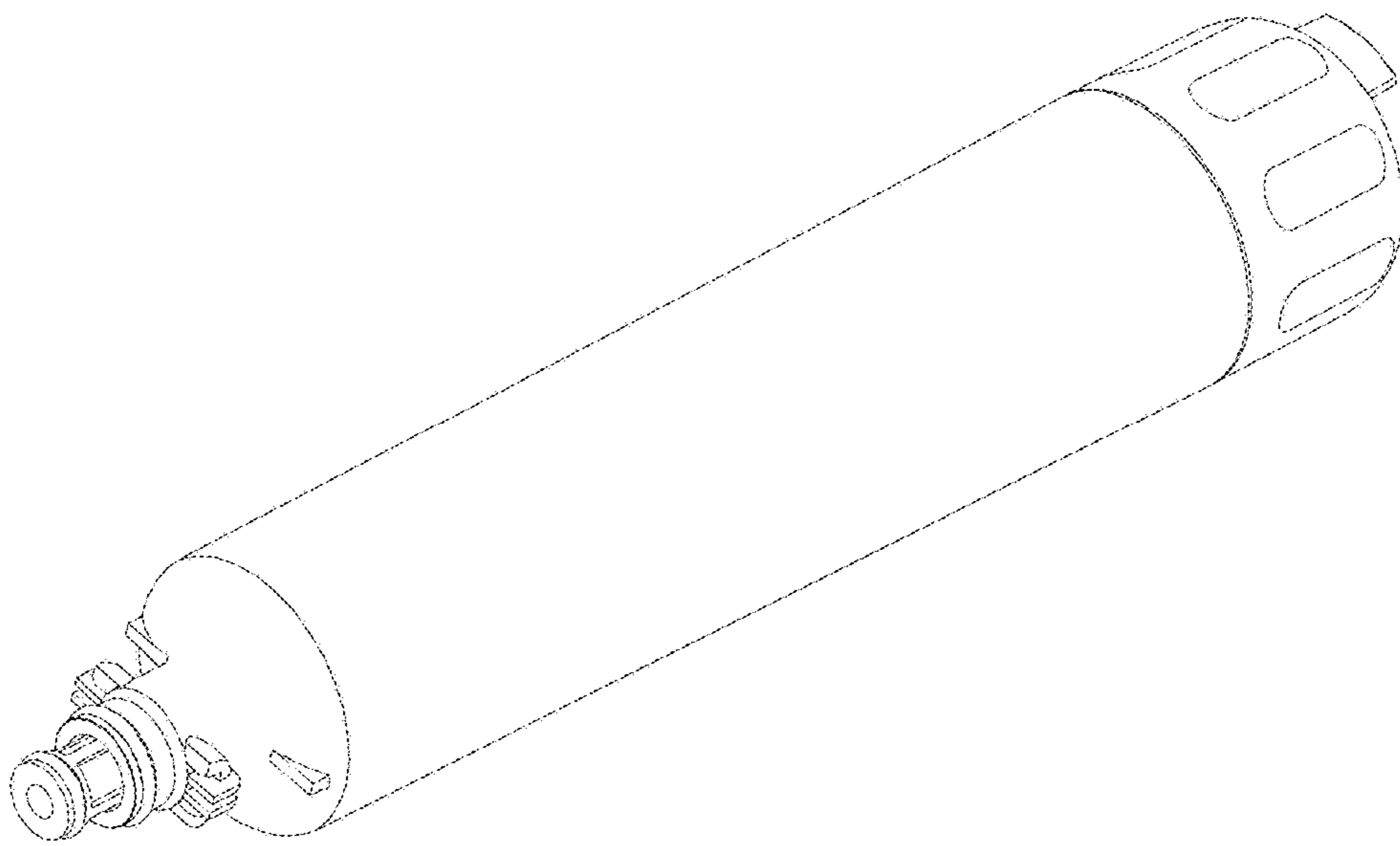


Fig. 9