



US00D857839S

(12) **United States Design Patent** (10) **Patent No.:** **US D857,839 S**  
**Natale et al.** (45) **Date of Patent:** **\*\* Aug. 27, 2019**

(54) **RETENTATE PLATE**  
(71) Applicant: **EMD Millipore Corporation,**  
Burlington, MA (US)  
(72) Inventors: **Matthew Natale,** Tewksbury, MA (US);  
**Brian Hillier,** Lowell, MA (US)

D729,897 S 5/2015 Ledbetter et al.  
9,133,433 B2 9/2015 Vogel et al.  
D741,983 S 10/2015 Mueller et al.  
D761,381 S 7/2016 Natale et al.  
D762,811 S 8/2016 Natale et al.  
(Continued)

(73) Assignee: **EMD Millipore Corporation,**  
Burlington, MA (US)

FOREIGN PATENT DOCUMENTS

WO WO 2007/076496 7/2007

(\*\*) Term: **15 Years**

OTHER PUBLICATIONS

(21) Appl. No.: **29/633,223**

Van Reis, R. et al., "Linear Scale Ultrafiltration," *Biotechnology and Bioengineering*, 55(5): 737-746 (Sep. 1997).

(22) Filed: **Jan. 12, 2018**

(Continued)

**Related U.S. Application Data**

*Primary Examiner* — Robin V Webster

(62) Division of application No. 29/569,589, filed on Jun. 29, 2016, now Pat. No. Des. 811,519, which is a division of application No. 29/512,353, filed on Dec. 18, 2014, now Pat. No. Des. 761,381.

(74) *Attorney, Agent, or Firm* — Hamilton, Brook, Smith & Reynolds, P.C.

(51) **LOC (12) Cl.** ..... **23-01**

(57) **CLAIM**

(52) **U.S. Cl.**

The ornamental design for a retentate plate, as shown and described.

USPC ..... **D23/209**

**DESCRIPTION**

(58) **Field of Classification Search**

USPC .... D23/207, 209; 210/321.75, 321.84, 323.1  
CPC ..... B01D 63/082  
See application file for complete search history.

FIG. 1 is a front view of the retentate plate in a first aspect of the present invention.

FIG. 2 is a rear view thereof.

FIG. 3 is a top view thereof. The bottom view on the opposite side thereof is a mirror image of the top view.

FIG. 4 is a right side view thereof.

FIG. 5 is a left side view thereof.

FIG. 6 is a front upper side perspective view thereof; and, FIG. 7 is a rear lower side perspective view thereof.

The view labels used herein to denote front, back, top, bottom and side views are for convenience only and should not be interpreted as limiting the orientation of the retentate plate.

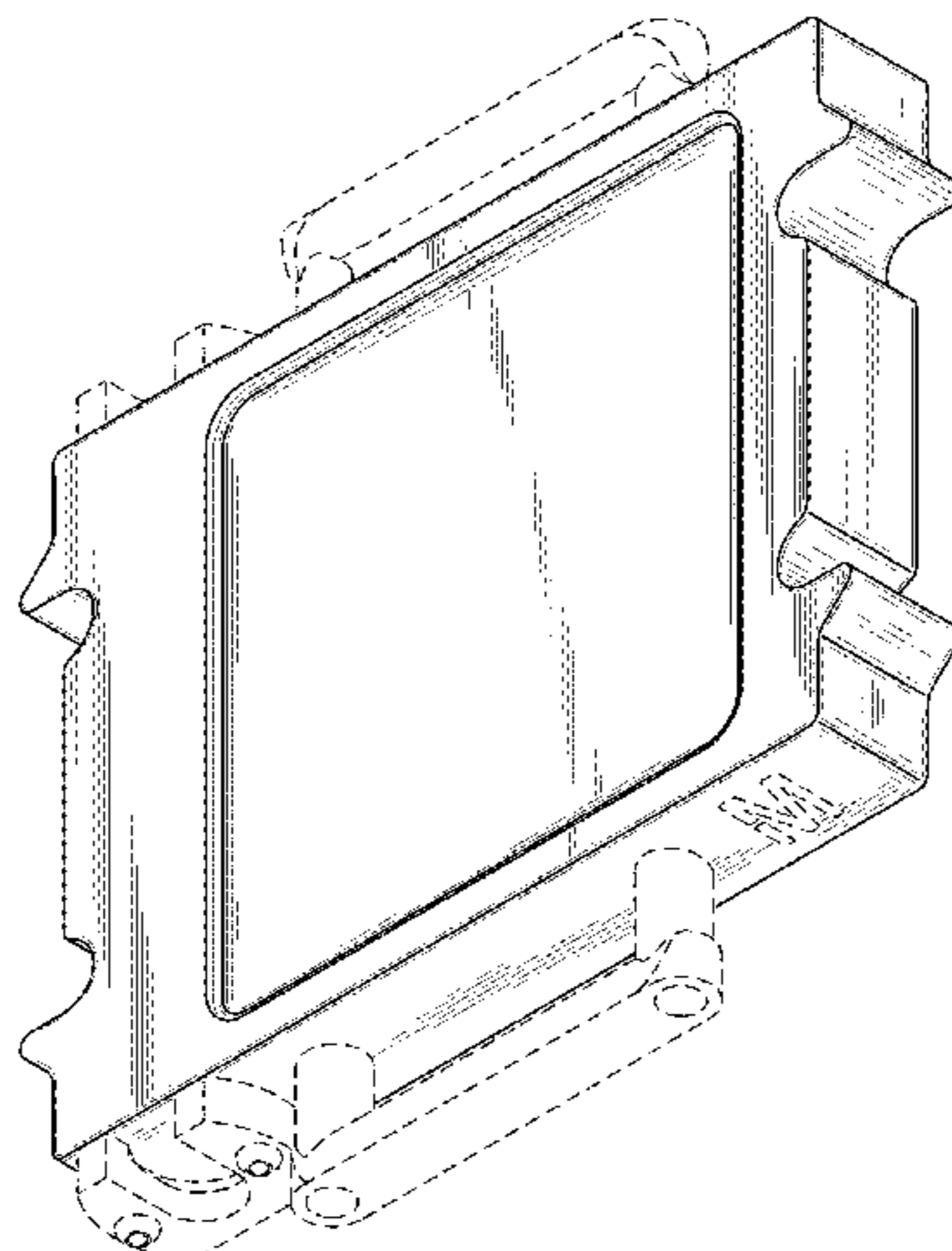
The broken lines in the Figures are for illustrative purposes only, and form no part of the claimed design.

(56) **References Cited**

U.S. PATENT DOCUMENTS

3,540,595 A 11/1970 Edwards  
4,956,085 A 9/1990 Kopf  
D325,070 S 3/1992 Kopf  
D327,313 S 6/1992 Kopf  
5,147,542 A 9/1992 Proulx  
D357,059 S 4/1995 Kopf  
5,599,447 A 2/1997 Pearl et al.  
7,959,805 B2 6/2011 Chisolm et al.  
D651,280 S 12/2011 Okawa et al.  
D655,780 S 3/2012 Honda et al.  
8,506,802 B1 8/2013 de los Reyes

**1 Claim, 5 Drawing Sheets**



(56)

**References Cited**

U.S. PATENT DOCUMENTS

D811,519 S 2/2018 Natale et al.  
2008/0135500 A1 6/2008 Gagnon et al.  
2012/0168368 A1 7/2012 de los Reyes

OTHER PUBLICATIONS

Notice of Allowance for U.S. Appl. No. 29/512,353, "Retentate Plate", dated Mar. 1, 2016.

Notice of Allowance for U.S. Appl. No. 29/569,589, "Retentate Plate", dated Nov. 15, 2017.

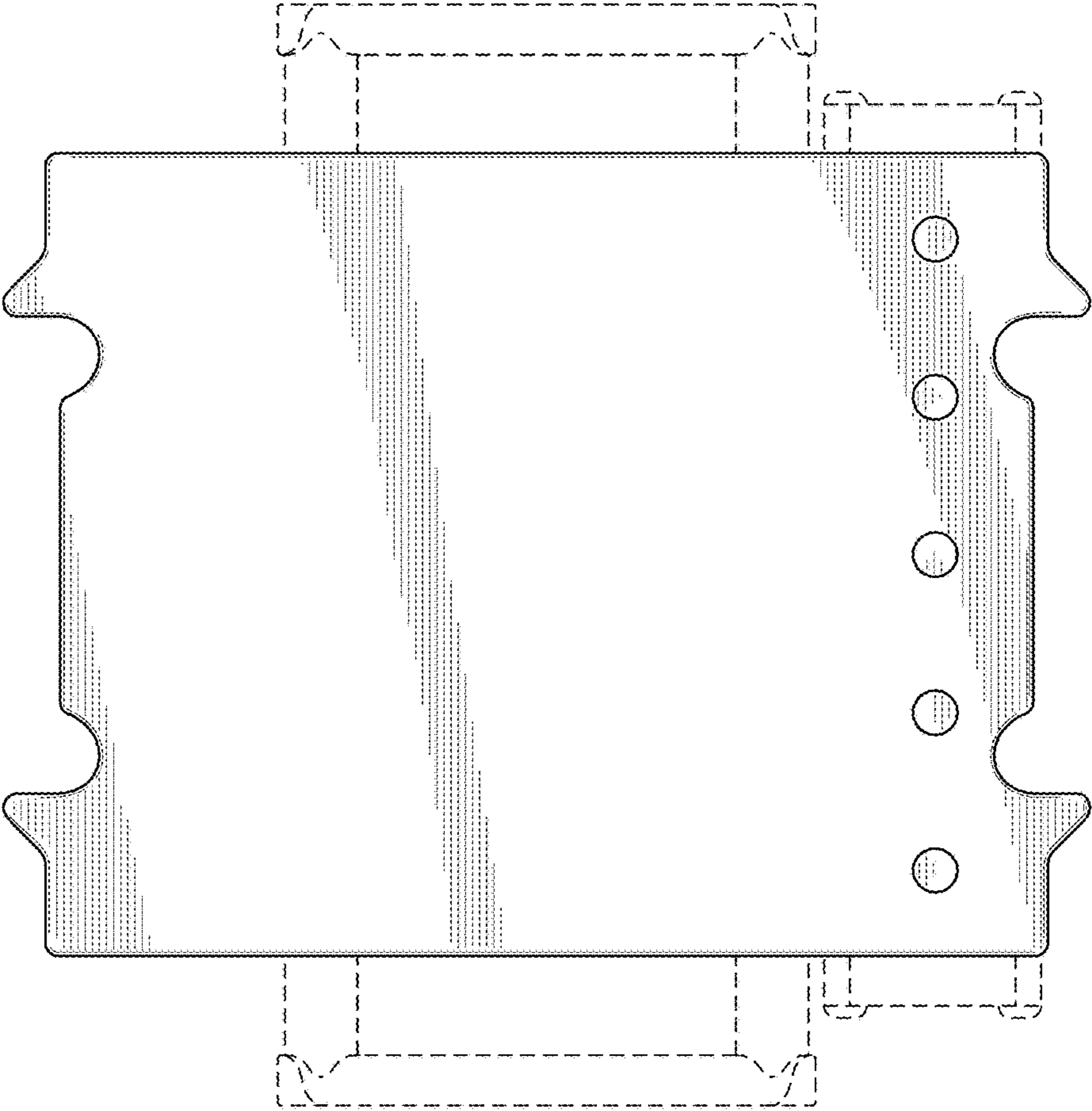


FIG. 1

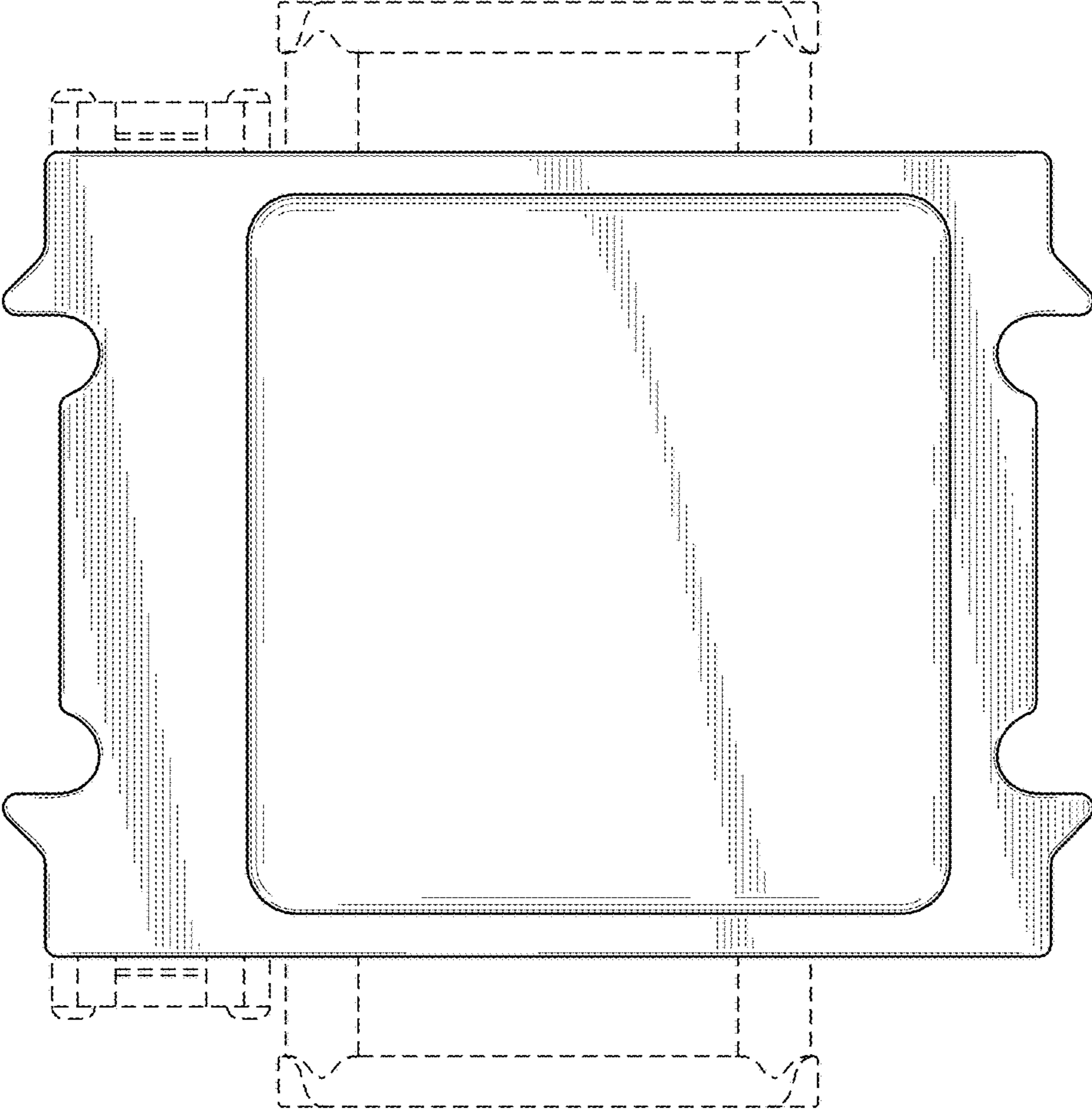


FIG. 2

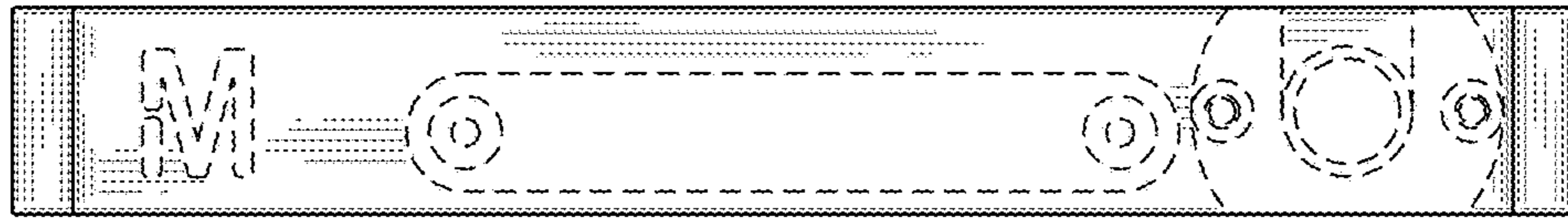


FIG. 3

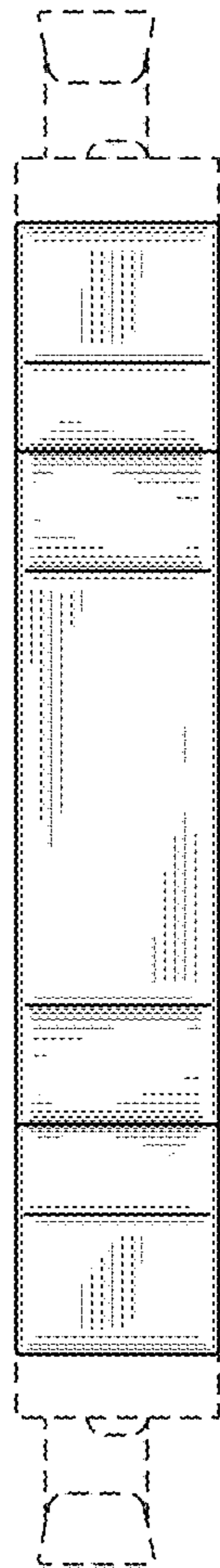


FIG. 4

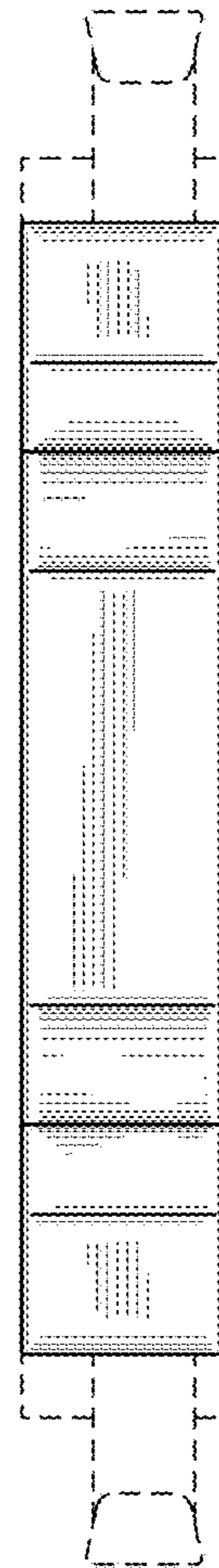


FIG. 5

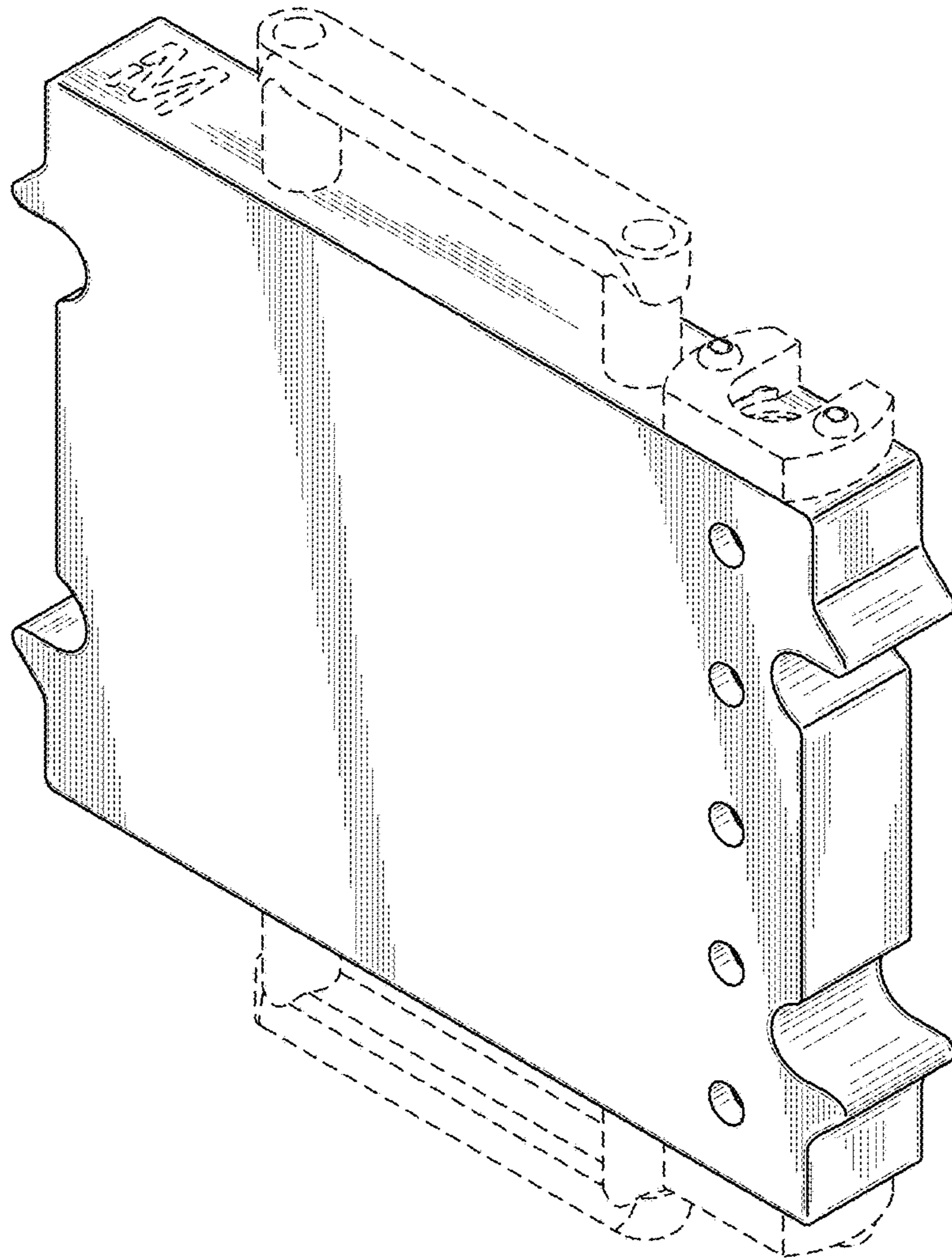


FIG. 6

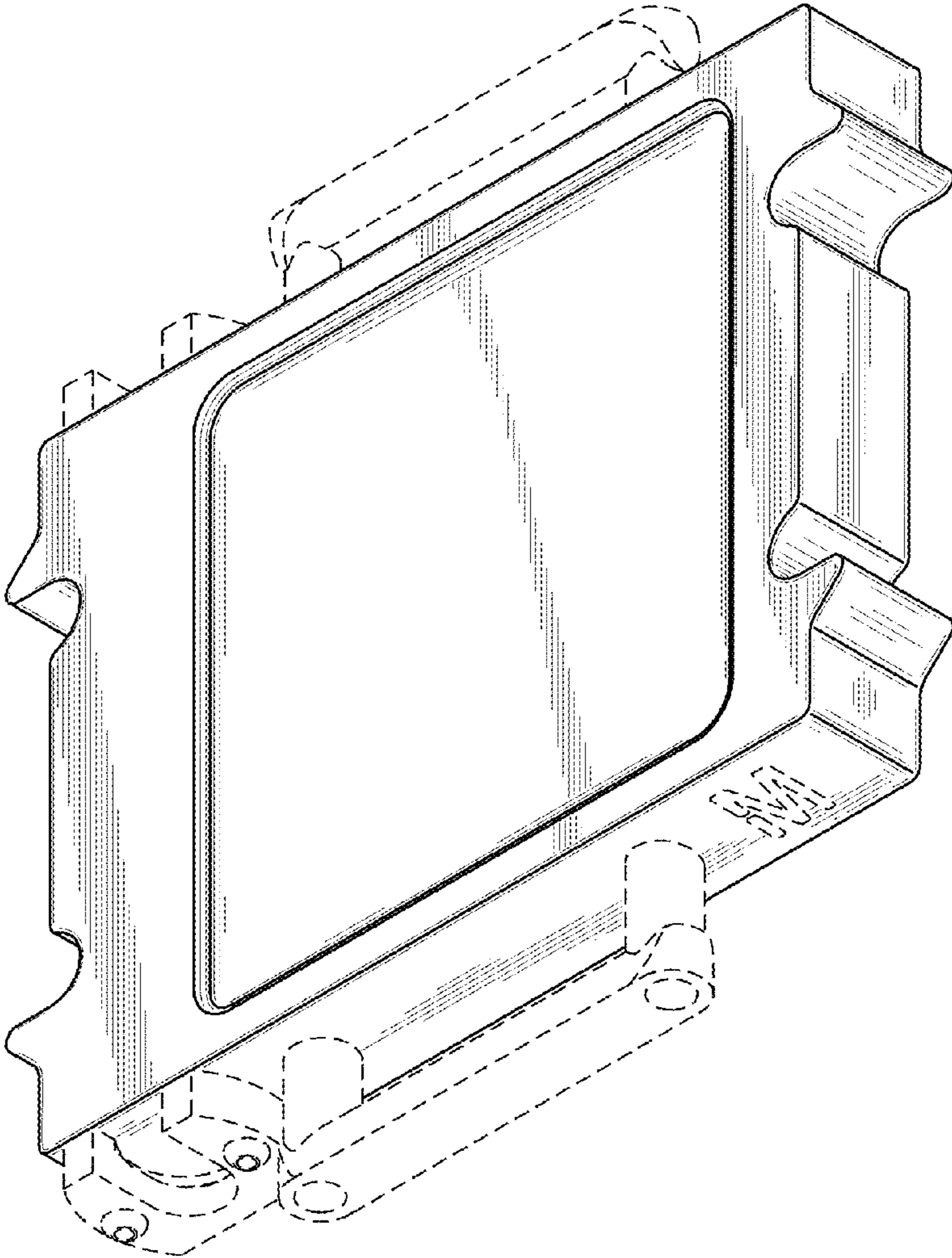


FIG. 7