



US00D857838S

(12) **United States Design Patent** (10) **Patent No.:** **US D857,838 S**
Pitman et al. (45) **Date of Patent:** **** Aug. 27, 2019**

(54) **SHOWER WATER FILTER**

(71) Applicant: **Adnomix, Inc.**, Road Town (VG)

(72) Inventors: **David Jonathan Pitman**, Singapore (SG); **Budimir Jovicic**, Belgrade (RS)

(**) Term: **15 Years**

(21) Appl. No.: **29/630,934**

(22) Filed: **Dec. 23, 2017**

(51) **LOC (12) Cl.** **23-01**

(52) **U.S. Cl.**
USPC **D23/209**

(58) **Field of Classification Search**
USPC D23/207, 209, 228
CPC B05B 1/18; C02F 1/003; B01D 24/10;
B01D 35/30; B01D 35/153; B01D 27/08;
B01D 2201/30; B01D 2201/29
See application file for complete search history.

(56) **References Cited**

U.S. PATENT DOCUMENTS

D361,622 S 8/1995 Farley
5,503,742 A * 4/1996 Farley B01D 29/01
210/238

D406,874 S 3/1999 Farley
D413,371 S * 8/1999 Douglas D23/209
D438,593 S 3/2001 Jang
D441,048 S 4/2001 Archer
D446,841 S * 8/2001 Silva D23/209
D462,108 S 8/2002 Farley
D487,497 S 3/2004 Ti
D667,925 S * 9/2012 Farley D23/209
D667,926 S 9/2012 Farley
D790,660 S * 6/2017 Zhadanov D23/209

* cited by examiner

Primary Examiner — Robin V Webster

(74) *Attorney, Agent, or Firm* — Dragon Sun Law Firm, PC; Jinggao Li, Esq.

(57) **CLAIM**

The ornamental design for a shower water filter, as shown and described.

DESCRIPTION

FIG. 1 is an isometric view of the top of our design invention;

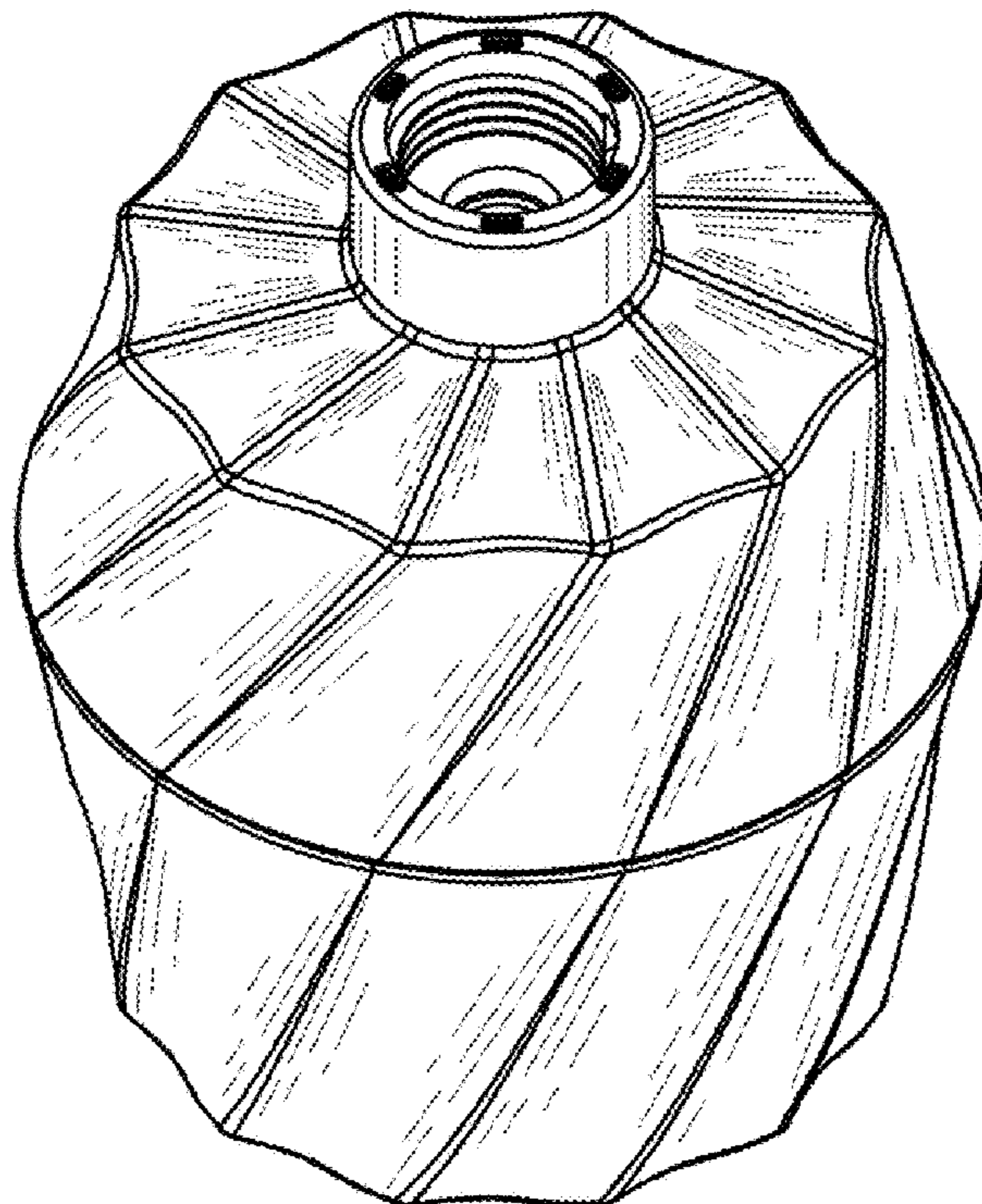
FIG. 2 is an isometric view of the bottom thereof;

FIG. 3 is a side view thereof;

FIG. 4 is a top view thereof; and,

FIG. 5 shows a view from the bottom thereof.

1 Claim, 5 Drawing Sheets



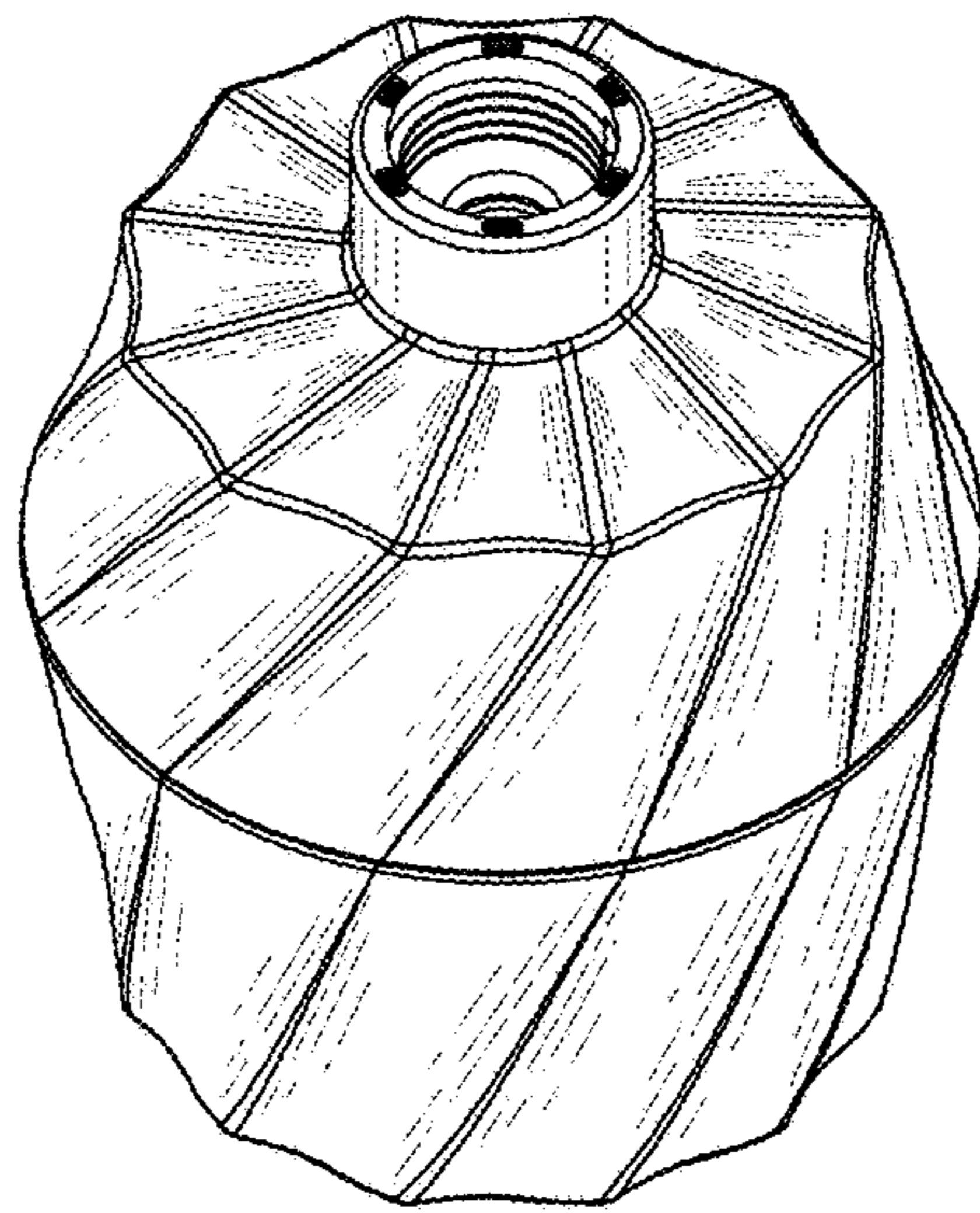


FIG. 1

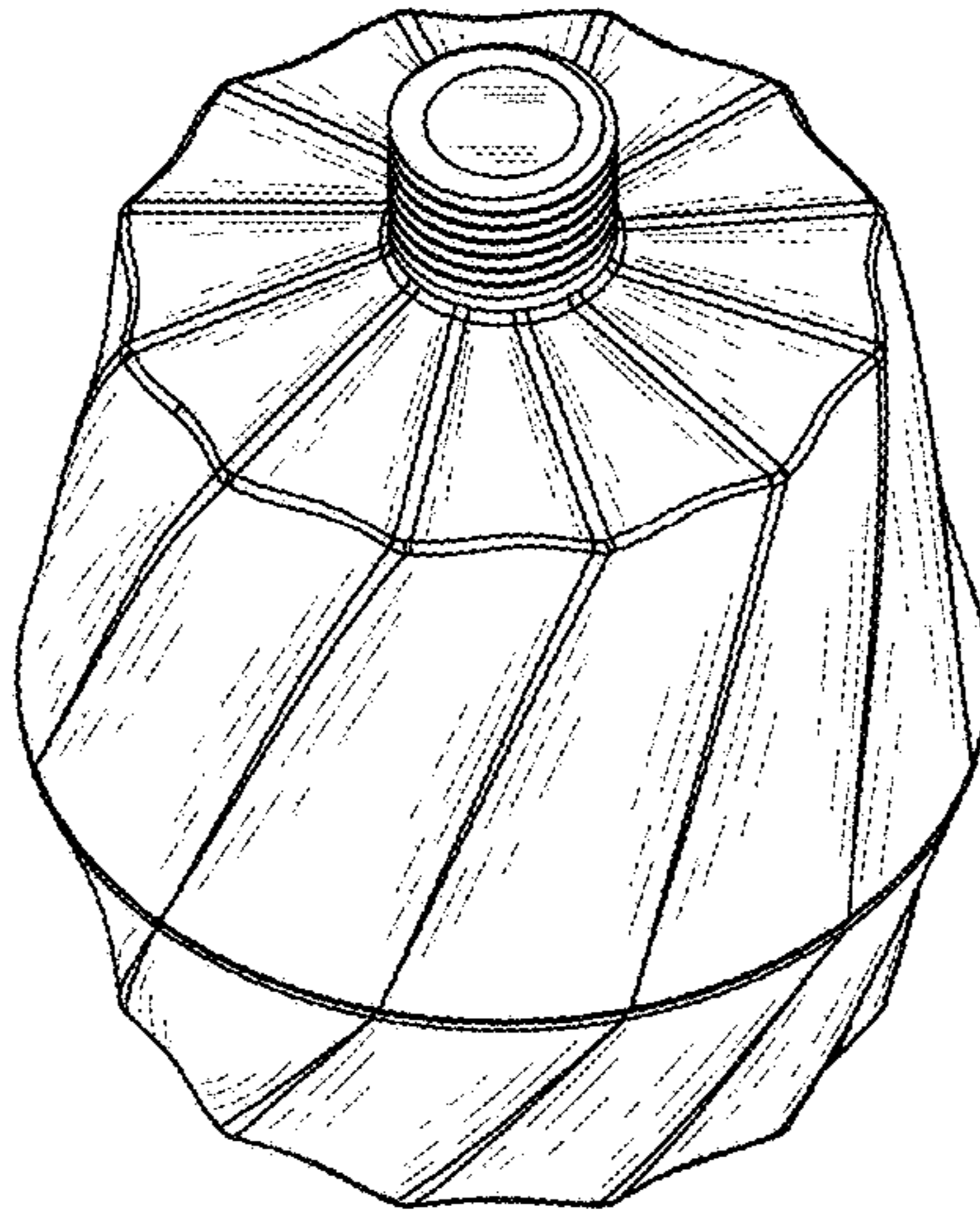


FIG. 2

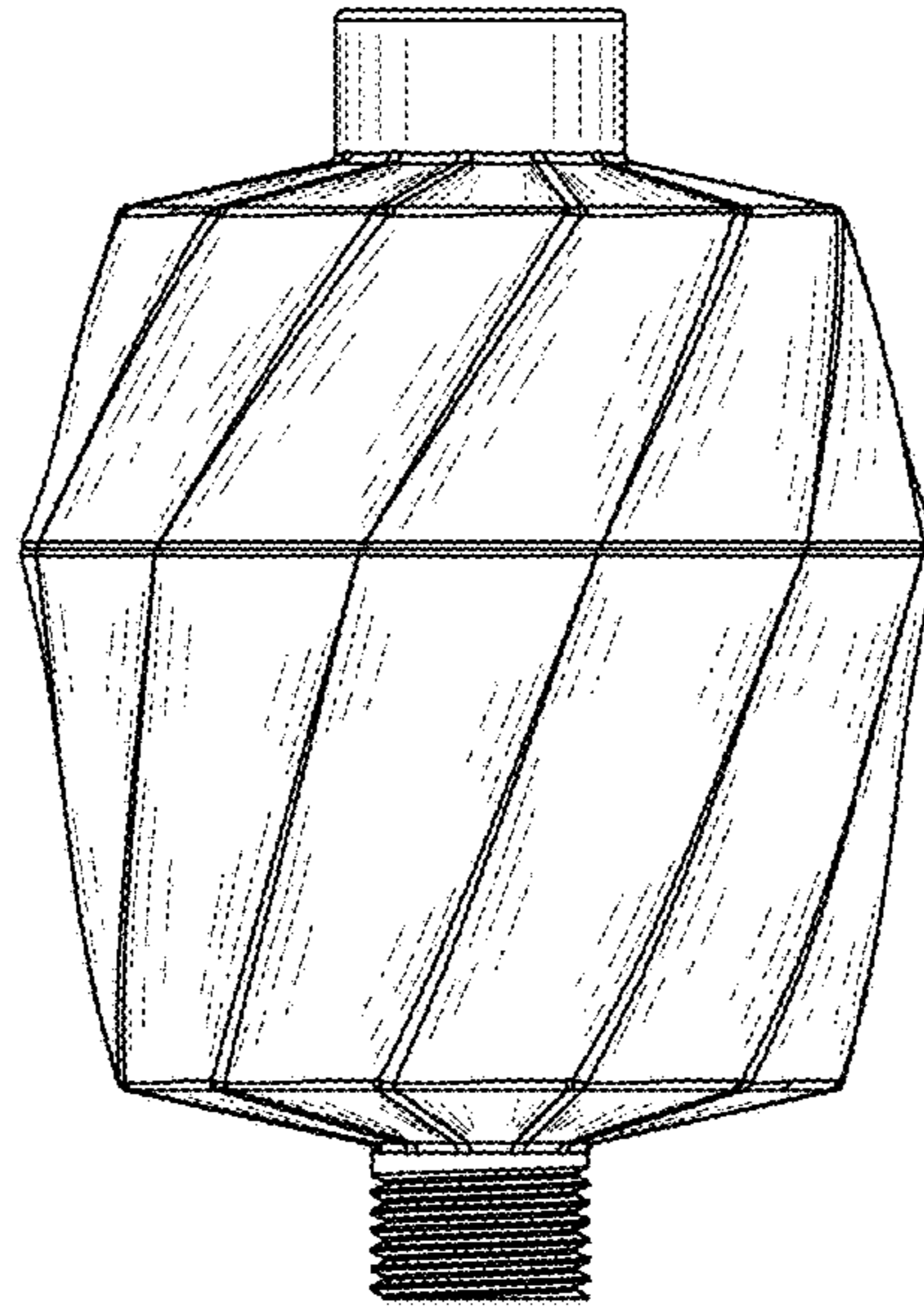


FIG. 3

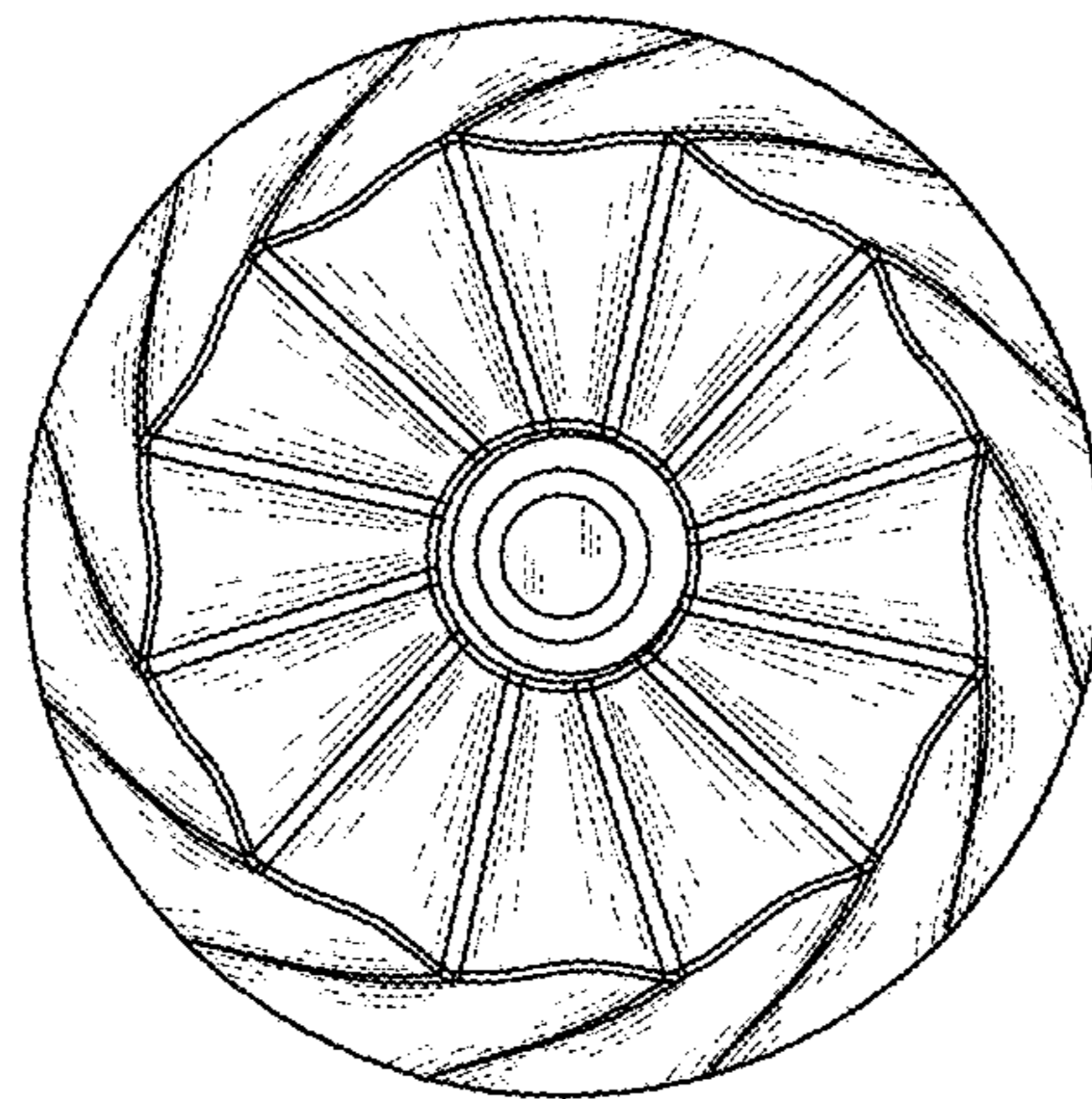


FIG. 4

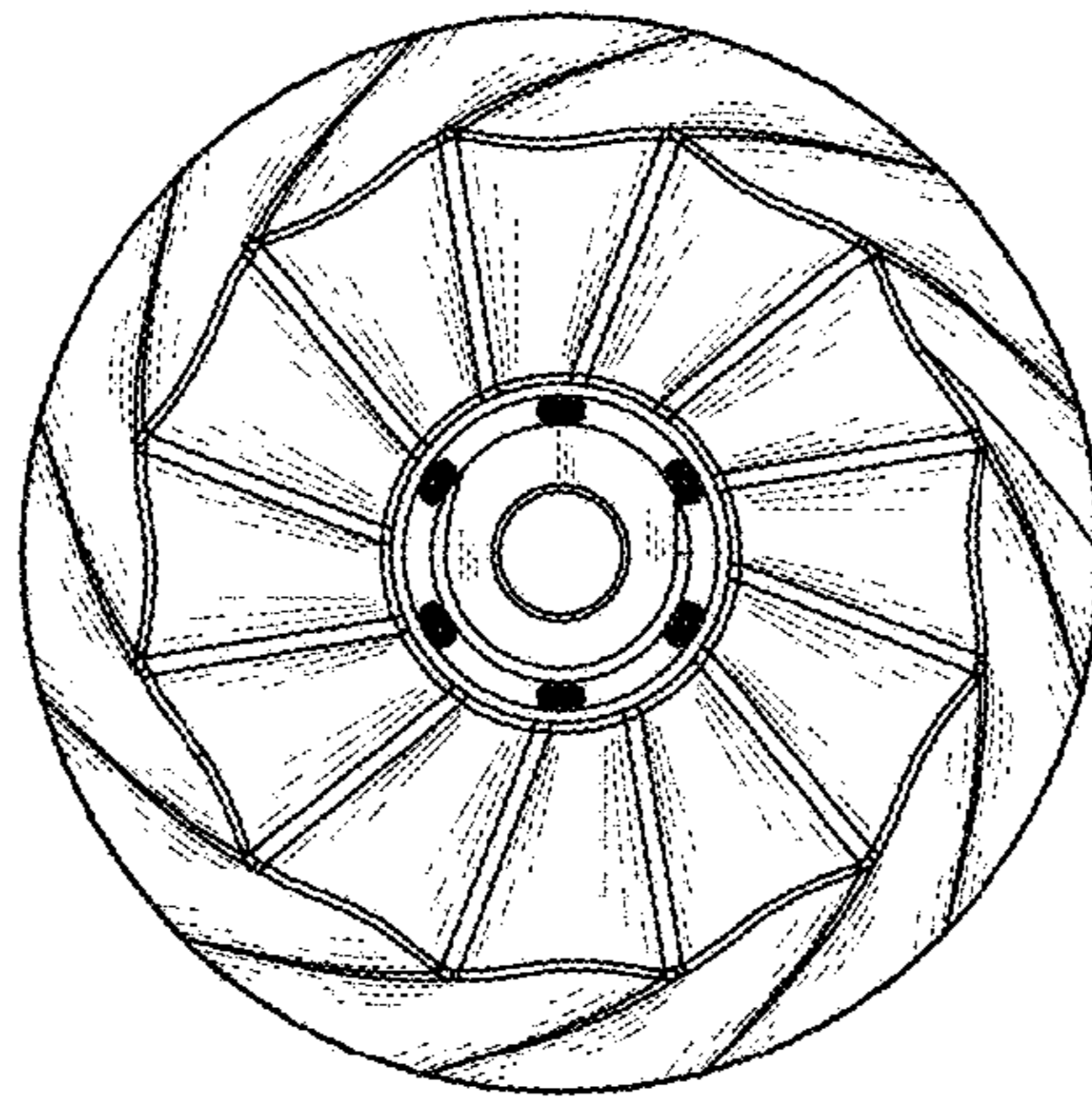


FIG. 5