



US00D857837S

(12) **United States Design Patent**
Ibald et al.

(10) **Patent No.:** **US D857,837 S**

(45) **Date of Patent:** **** Aug. 27, 2019**

(54) **VALVE FOR GAS BOTTLE CAP**

(71) Applicant: **L'Air Liquide, Societe Anonyme pour l'Etude et l'Exploitation des Procèdes Georges Claude**, Paris (FR)

(72) Inventors: **Daniel Ibald**, Handewitt (DE); **Mathias Franke**, Sterup (DE); **Josef Varga**, Sonderborg (DK)

(73) Assignee: **L'Air Liquide, Société Anonyme pour l'Etude et l'Exploitation des Procèdes Georges Claude**, Paris (FR)

(**) Term: **15 Years**

(21) Appl. No.: **29/630,753**

(22) Filed: **Dec. 22, 2017**

(51) **LOC (12) Cl.** **23-01**

(52) **U.S. Cl.**
USPC **D23/206**; D23/249; D23/260

(58) **Field of Classification Search**
USPC D10/46; D23/206, 233, 249, 260; 137/377, 382, 68.14; 220/724-726, 582
CPC . F16K 1/30; F16K 35/10; F16K 15/88; F16K 47/08; F16K 11/0716; F16K 11/0853; F16L 37/28; F17C 2205/0323; F17C 13/06

See application file for complete search history.

(56) **References Cited**

U.S. PATENT DOCUMENTS

3,696,964 A * 10/1972 Deakin F17C 13/06
137/377

D786,394 S * 5/2017 Frenal D23/206

* cited by examiner

Primary Examiner — Antoine Duval Davis

(74) *Attorney, Agent, or Firm* — Allen E. White

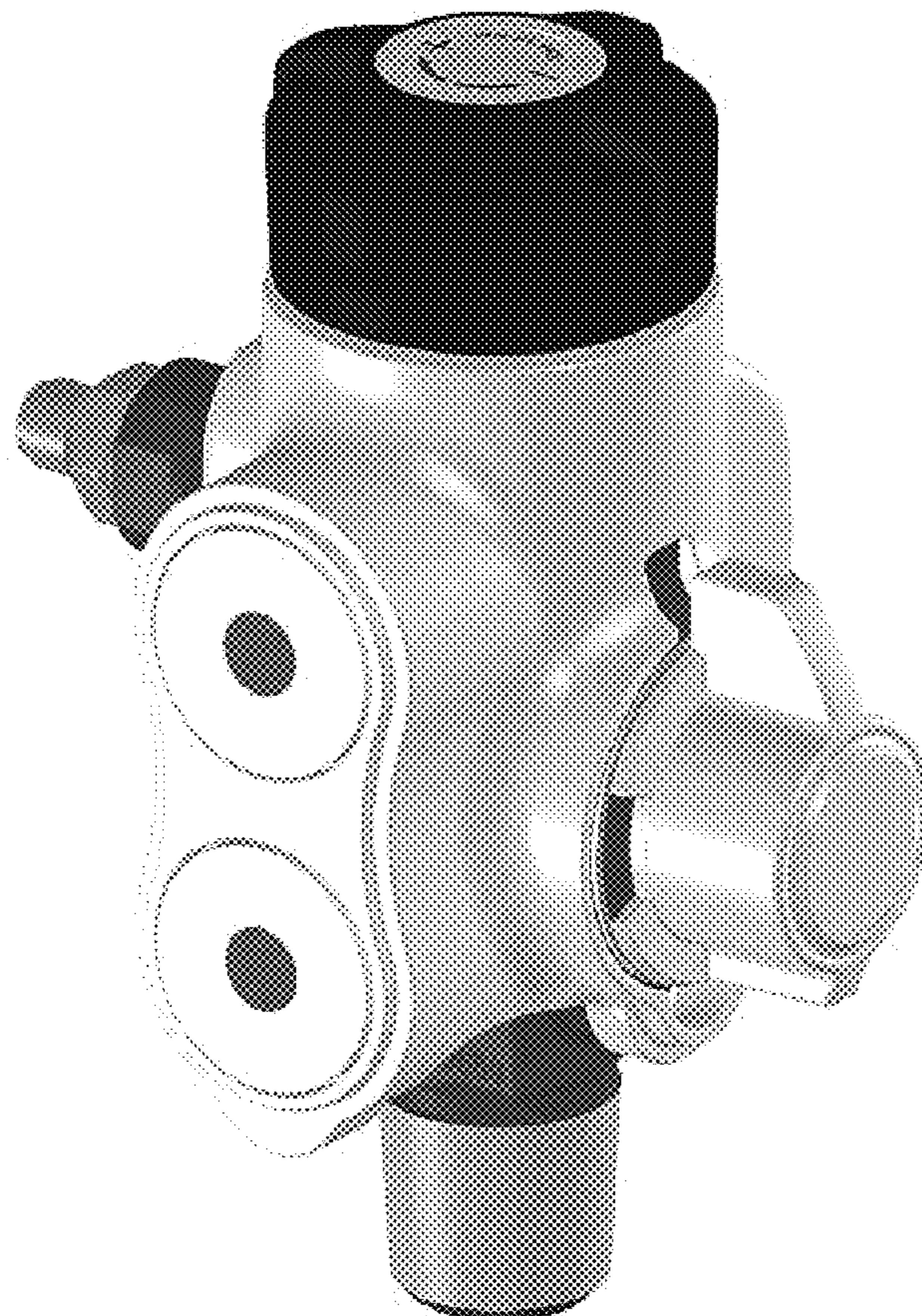
(57) **CLAIM**

The ornamental design for a valve for gas bottle cap, as shown and described.

DESCRIPTION

FIG. 1 is an isometric view of a valve for gas bottle cap.
FIG. 2 is a bottom view of a valve for gas bottle cap.
FIG. 3 is a top view of a valve for gas bottle cap.
FIG. 4 is a first side view of a valve for gas bottle cap.
FIG. 5 is a second side view of a valve for gas bottle cap.
FIG. 6 is a third side view of a valve for gas bottle cap; and,
FIG. 7 is forth side view of a valve for gas bottle cap.

1 Claim, 7 Drawing Sheets



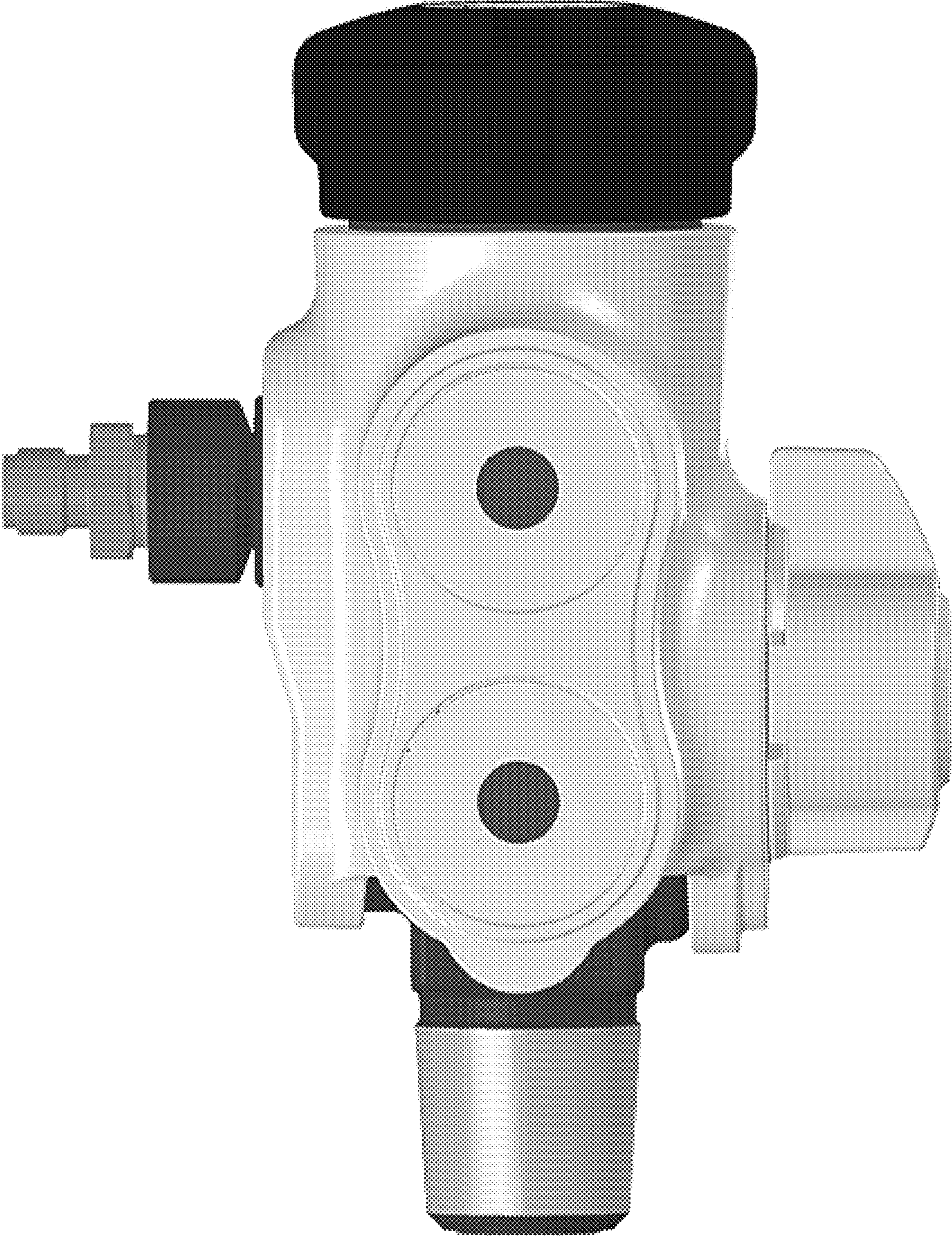


FIG. 1

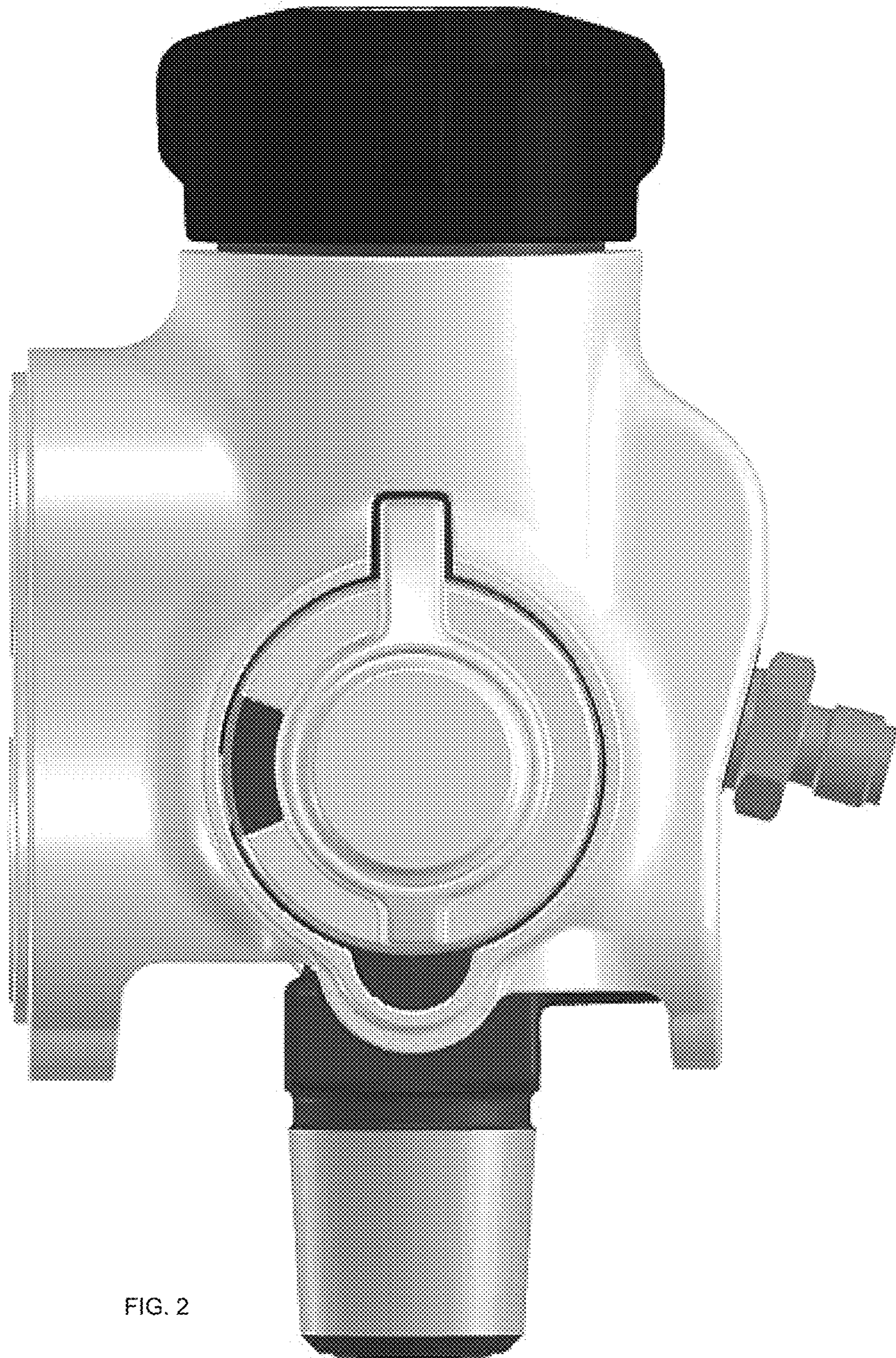


FIG. 2

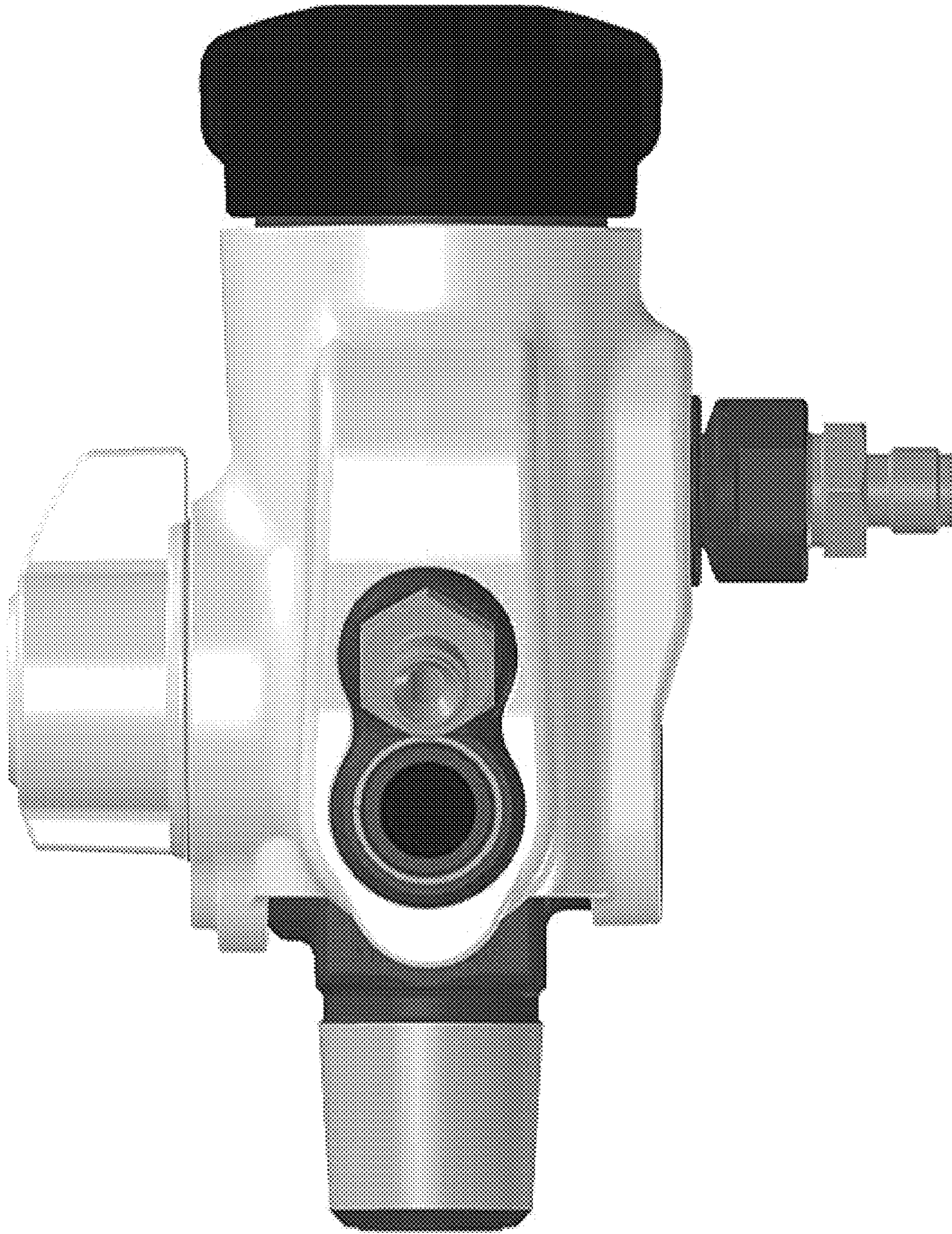


FIG. 3

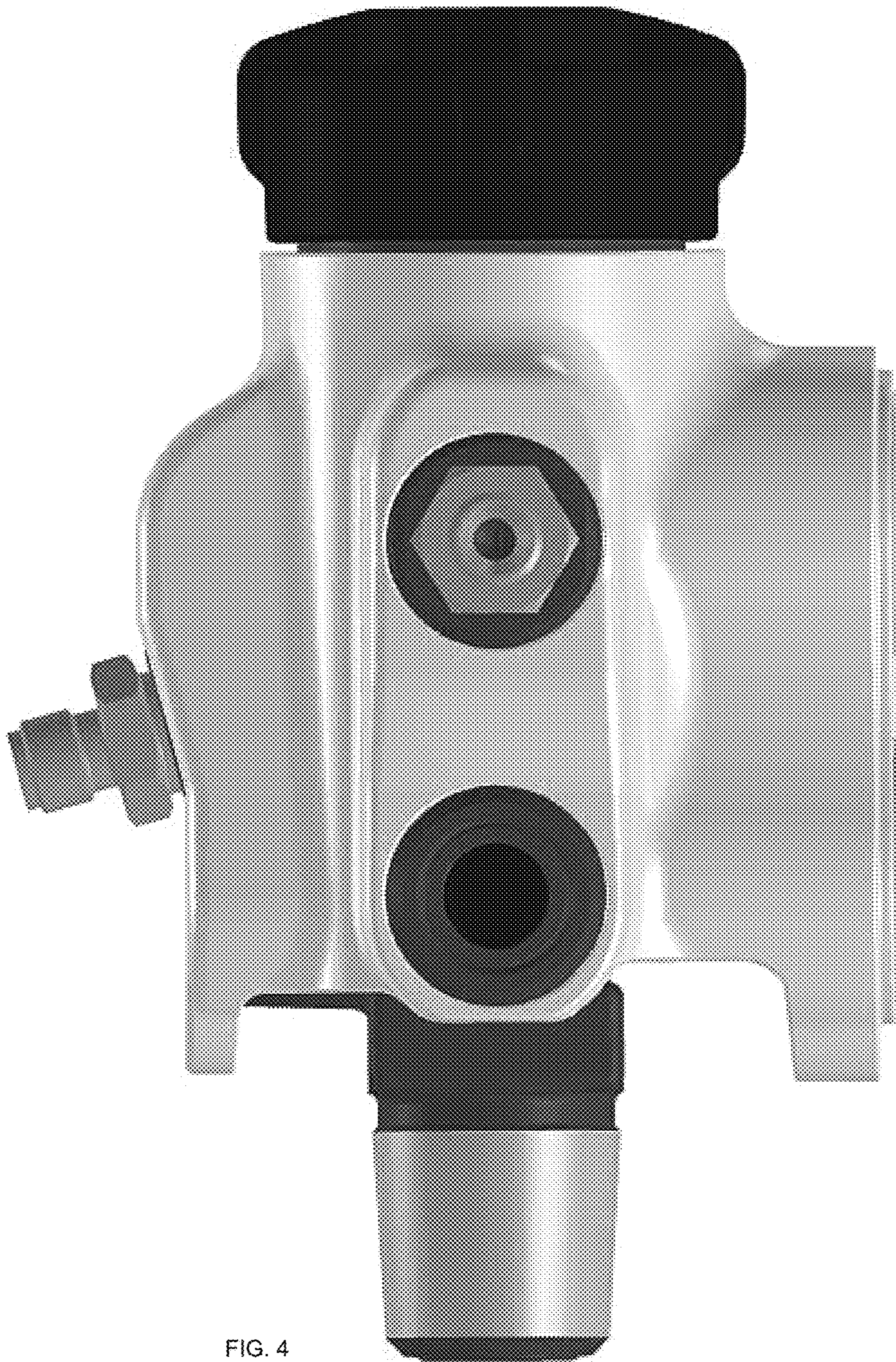


FIG. 4

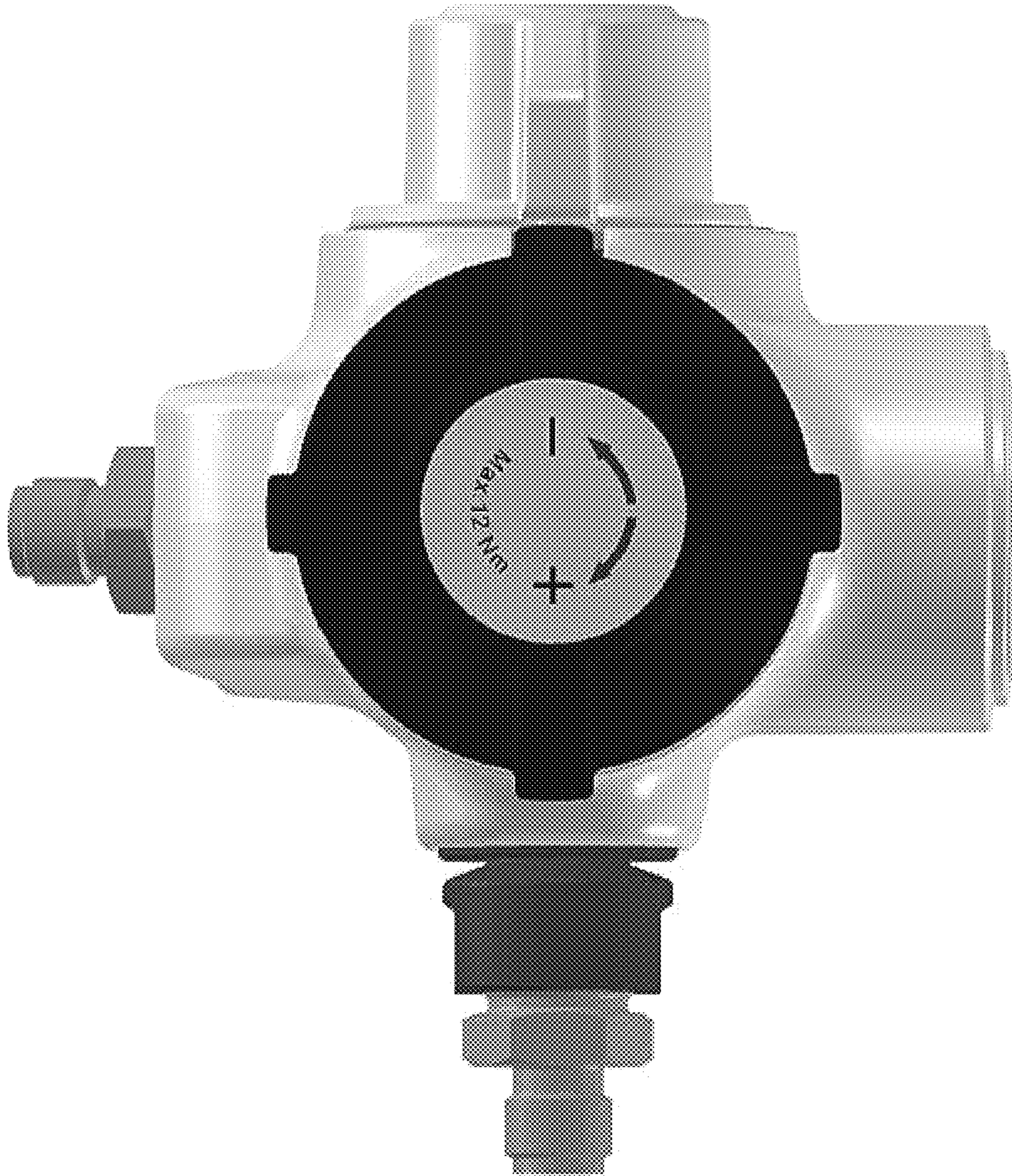


FIG. 5

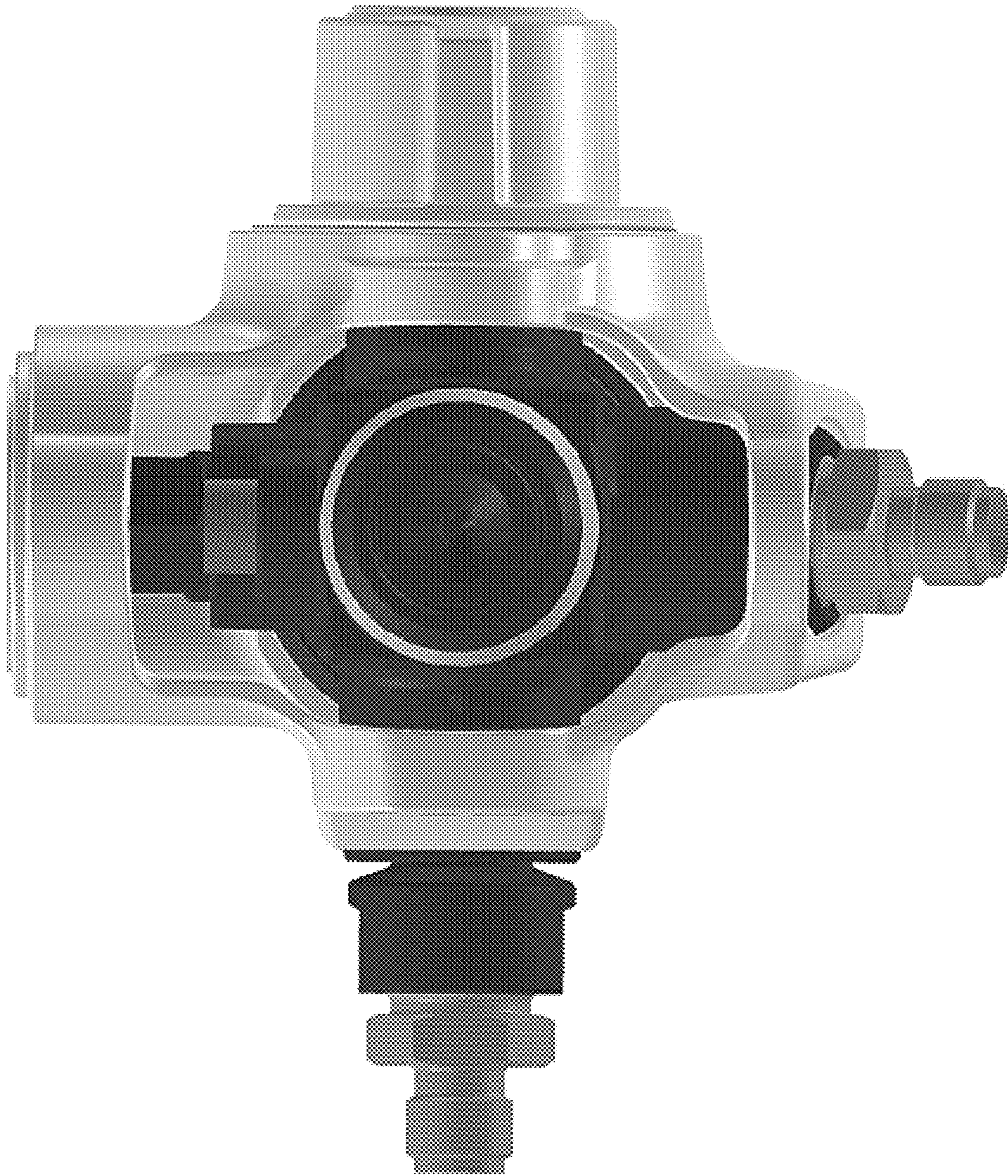


FIG. 6



FIG. 7