



US00D857835S

(12) **United States Design Patent**
Wu et al.

(10) **Patent No.:** **US D857,835 S**
(45) **Date of Patent:** **** Aug. 27, 2019**

(54) **MOSQUITO TRAPPING LAMP**

(71) Applicant: **GUANGZHOU LEDIA LIGHTING CO., LTD.**, Guangdong (CN)

(72) Inventors: **Fangming Wu**, Guangdong (CN); **Henan Lv**, Guangdong (CN); **Yanchun Yang**, Guangdong (CN); **Yusheng Liu**, Guangdong (CN)

(73) Assignee: **GUANGZHOU LEDIA LIGHTING CO., LTD.**, Guangzhou (CN)

(**) Term: **15 Years**

(21) Appl. No.: **29/641,984**

(22) Filed: **Mar. 27, 2018**

(30) **Foreign Application Priority Data**

Nov. 7, 2017 (CN) 2017 3 0544567

(51) **LOC (12) Cl.** **22-06**

(52) **U.S. Cl.**
USPC **D22/123**

(58) **Field of Classification Search**
USPC D22/119-124; 43/107, 112-114, 122, 43/128, 131, 132.1, 133; 362/147; D26/1-4, 85
CPC A01M 1/04; A01M 1/145; A01M 1/223; A01M 1/2016; A01M 2200/01; A01M 2200/011; A01M 2200/012

See application file for complete search history.

(56) **References Cited**

U.S. PATENT DOCUMENTS

3,473,251 A * 10/1969 Kahn A01M 1/04
43/112
D796,701 S * 9/2017 Moon D26/1
D821,537 S * 6/2018 Ye D22/123
D841,762 S * 2/2019 Sheng D22/122

* cited by examiner

Primary Examiner — Catherine R Oliver-Garcia

(74) *Attorney, Agent, or Firm* — JCIPRNET

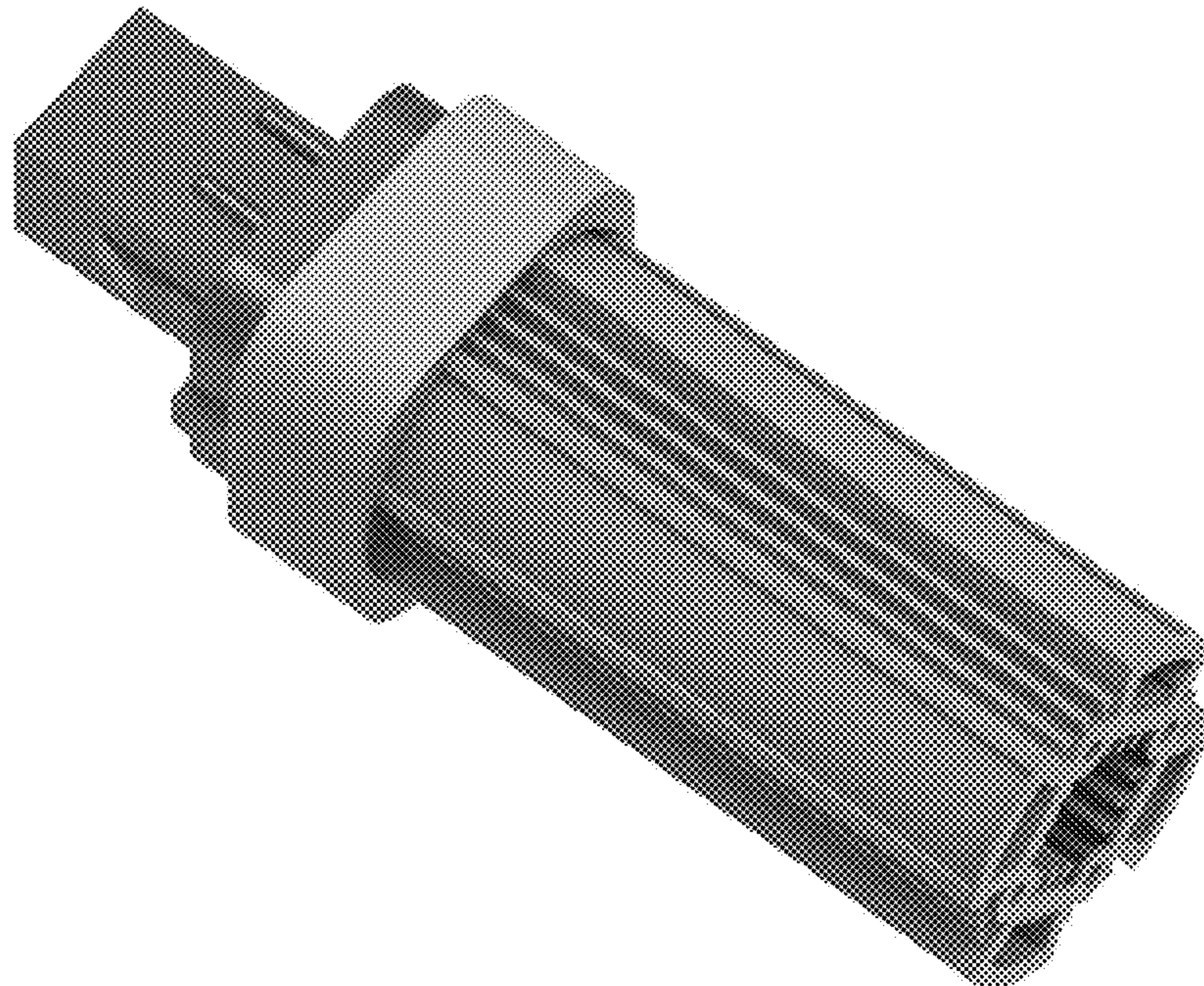
(57) **CLAIM**

The ornamental design for a mosquito trapping lamp, as shown.

DESCRIPTION

FIG. 1 is a perspective view of a mosquito trapping lamp showing our new design;
FIG. 2 is a front view thereof;
FIG. 3 is a rear view thereof;
FIG. 4 is a left view thereof;
FIG. 5 is a right view thereof;
FIG. 6 is a top view thereof; and,
FIG. 7 is a bottom view thereof.

1 Claim, 7 Drawing Sheets



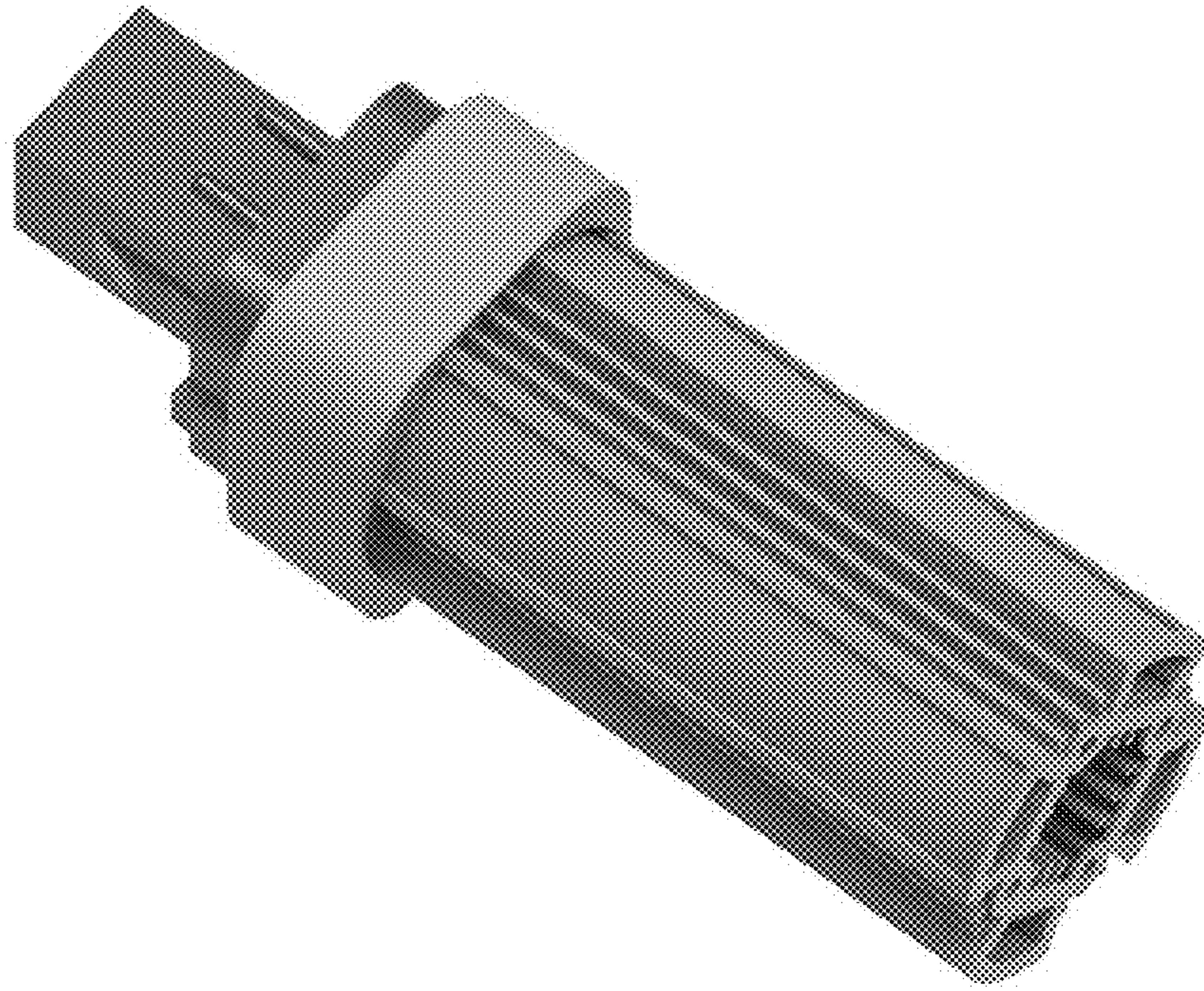


FIG. 1

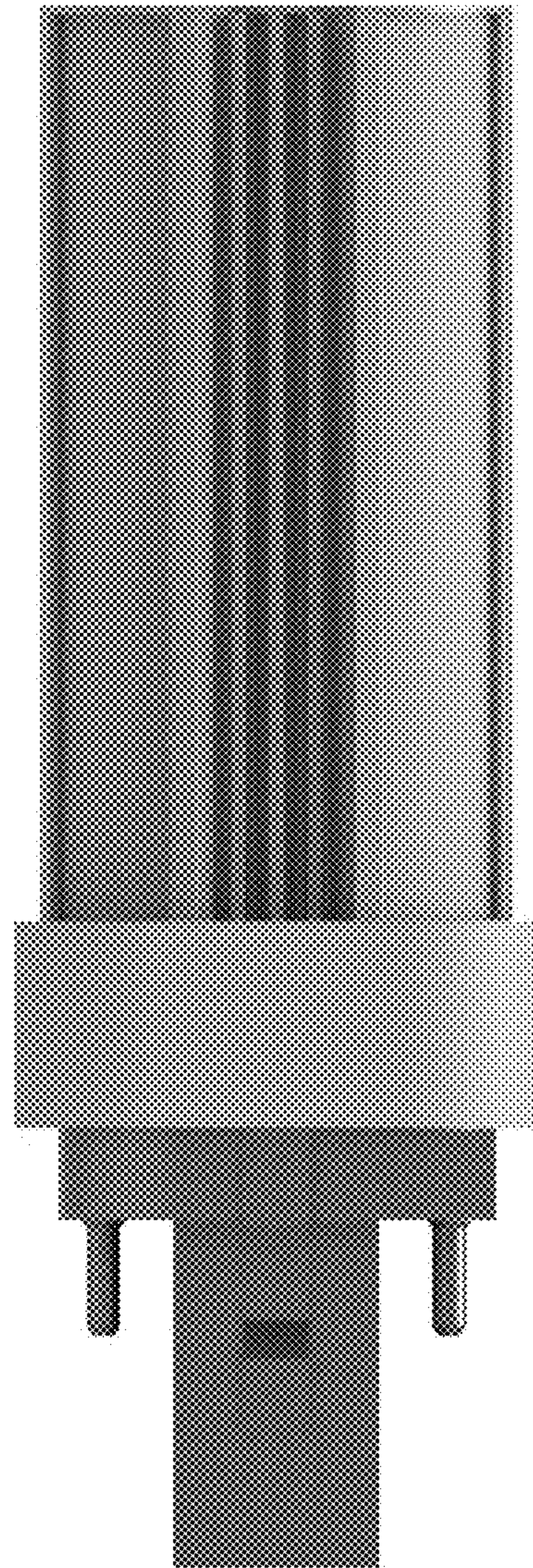


FIG. 2

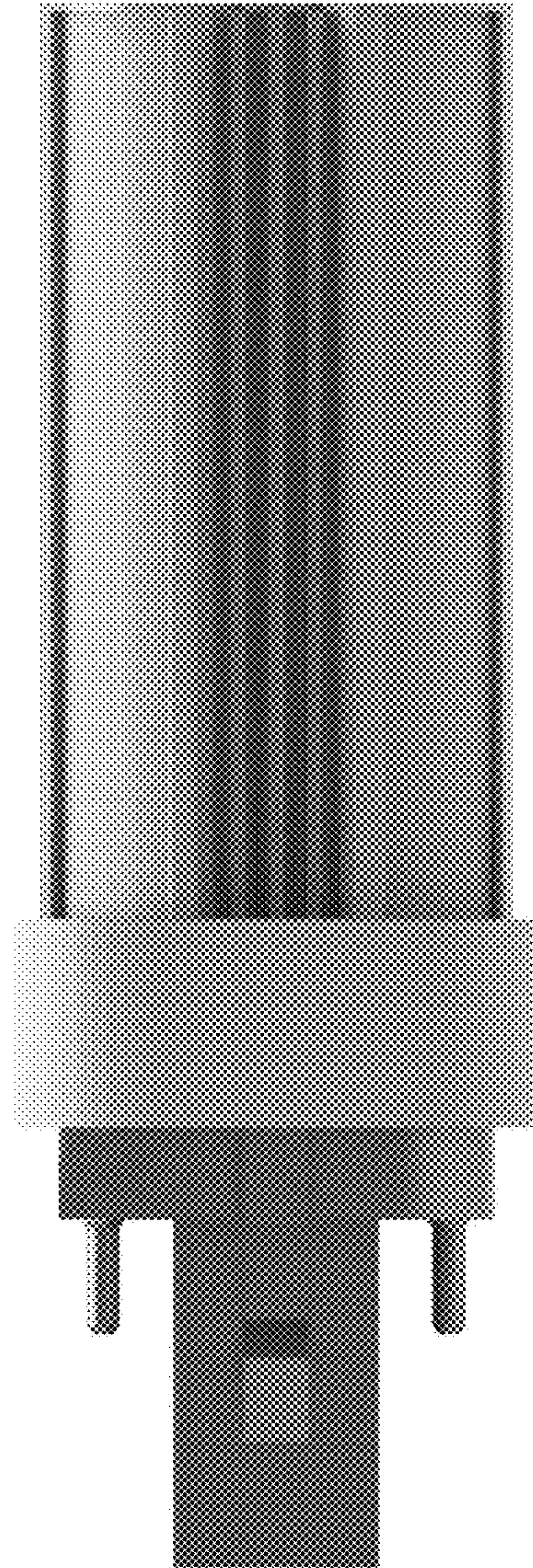


FIG. 3

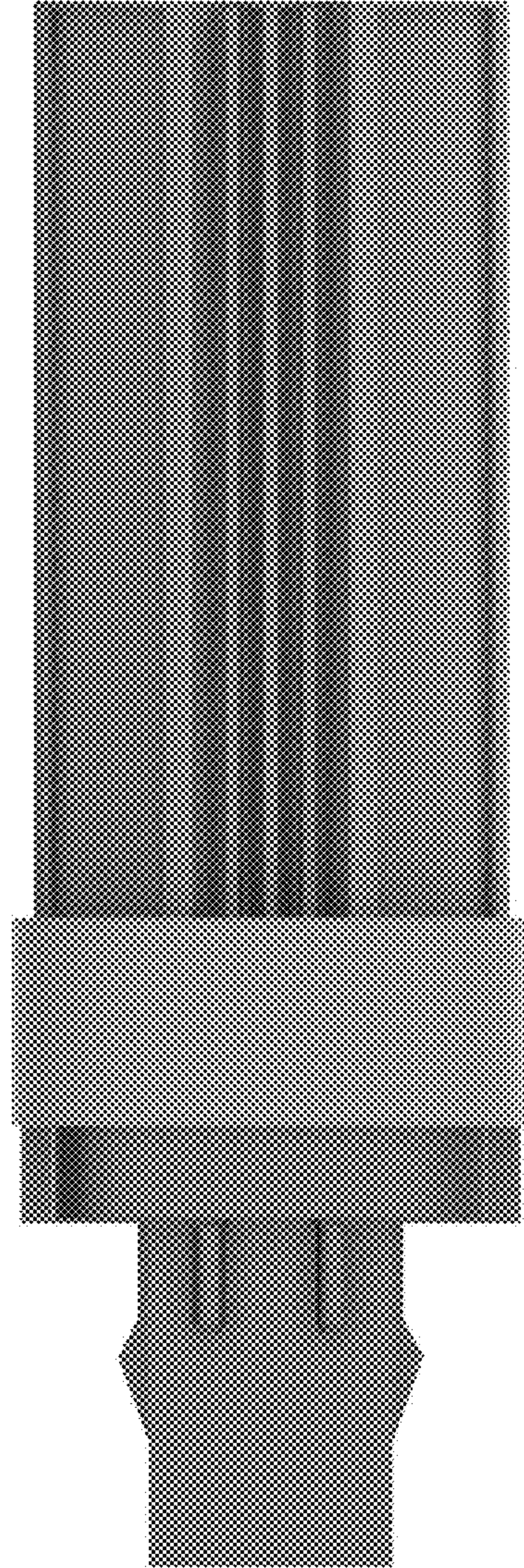


FIG. 4

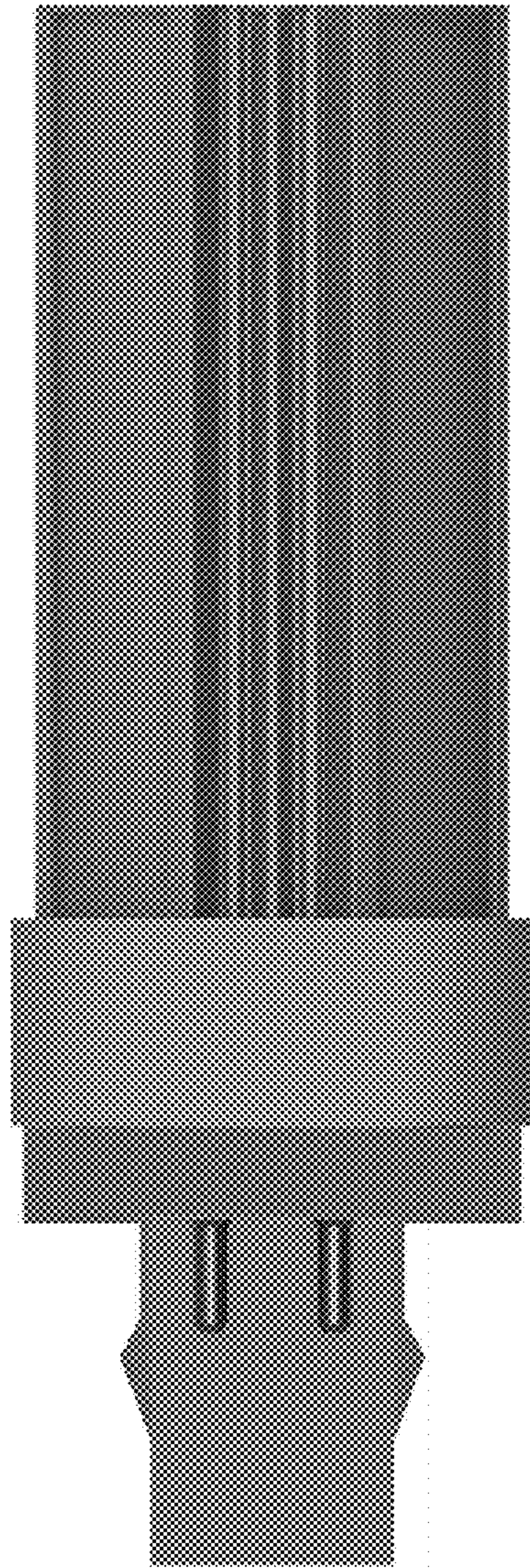


FIG. 5

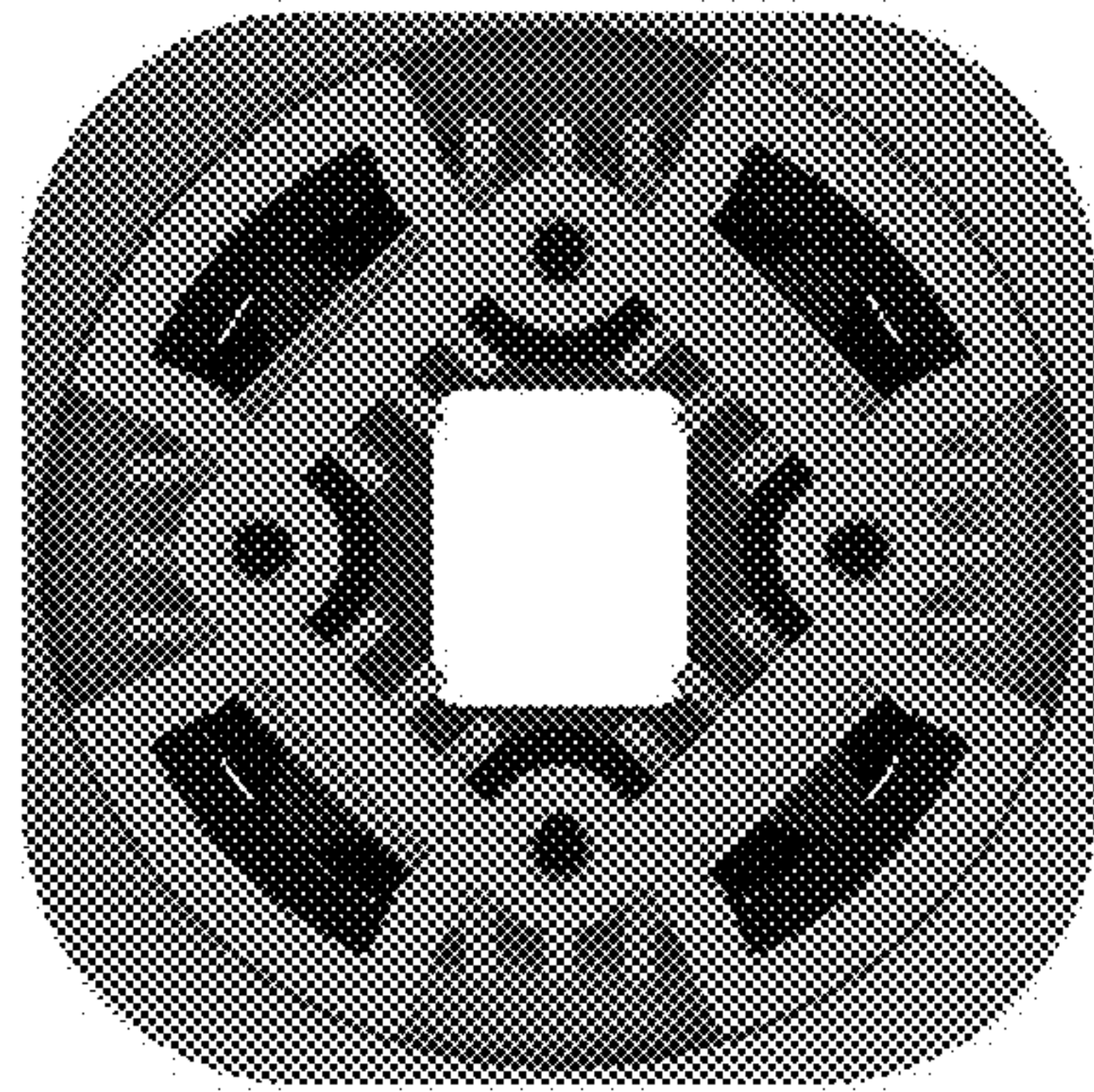


FIG. 6

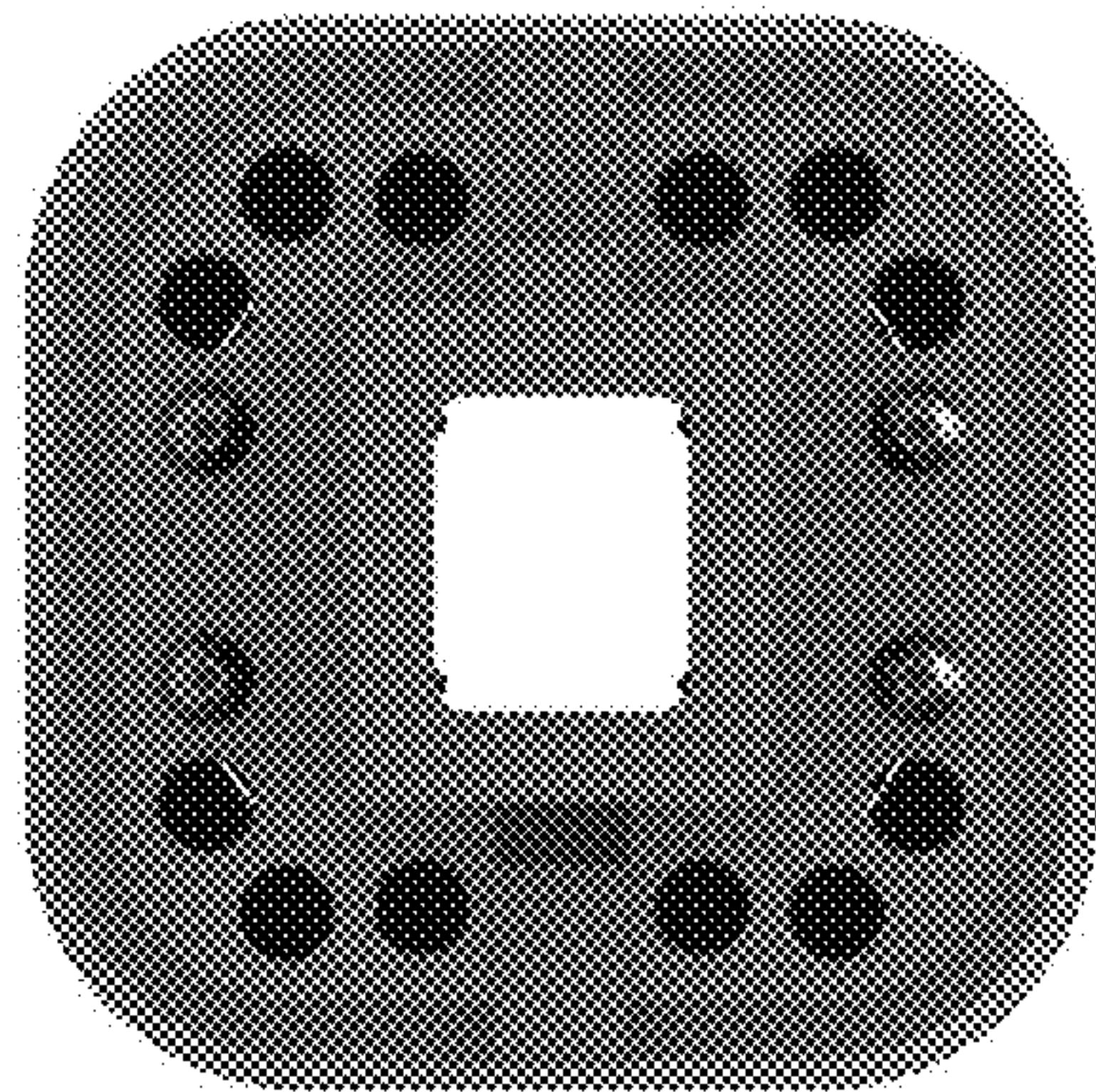


FIG. 7