

US00D857832S

(12) **United States Design Patent**  
**Henry et al.**

(10) **Patent No.:** **US D857,832 S**

(45) **Date of Patent:** **\*\* Aug. 27, 2019**

(54) **SHELL ADAPTER FOR SHOTGUN**

D594,398 S \* 6/2009 Tai ..... D12/217  
D618,157 S \* 6/2010 Masters ..... D12/217  
D644,159 S \* 8/2011 Marcum ..... D12/217

(71) Applicant: **OPSOL, LLC**, Lubbock, TX (US)

(72) Inventors: **Twain Henry**, Lubbock, TX (US); **Bill Nolan**, Lubbock, TX (US)

(\*\*) Term: **15 Years**

(21) Appl. No.: **29/653,397**

(22) Filed: **Jun. 14, 2018**

(51) **LOC (12) Cl.** ..... **22-01**

(52) **U.S. Cl.**

USPC ..... **D22/108**

(58) **Field of Classification Search**

USPC ..... D22/100–111, 115–116, 119–120, 199;  
D21/300, 301, 573–575

CPC . F41G 1/02; F41G 1/027; F41G 1/033; F41G  
1/06; F41G 3/26; F41C 23/10; F41C  
23/16; F41J 1/00

See application file for complete search history.

(56) **References Cited**

**U.S. PATENT DOCUMENTS**

D249,704 S \* 9/1978 Ward ..... D23/393  
D313,857 S \* 1/1991 Gabriel ..... D25/113  
D316,243 S \* 4/1991 Henry ..... D12/217  
D381,951 S \* 8/1997 Hatfield ..... D12/217  
D479,342 S \* 9/2003 Dawson ..... D25/113  
D493,408 S \* 7/2004 Chrisco ..... D12/217  
D500,979 S \* 1/2005 Chrisco ..... D12/217  
D503,139 S \* 3/2005 Colak ..... D12/217  
D520,438 S \* 5/2006 Colak ..... D12/217  
D585,566 S \* 1/2009 Stenekes ..... D25/113

**OTHER PUBLICATIONS**

“Gear Review: OPSol Mini-Clip for Mossberg Shotguns” [online]. Dan Zimmerman. [Published on Jul. 4, 2017]. Retrieved from the Internet: <https://www.thetruthaboutguns.com/2017/07/daniel-zimmerman/gear-review-opsol-mini-clip-mossberg-shotguns/> <<https://www.thetruthaboutguns.com/2017/07/daniel-zimmerman/gear-review-opsol-mini-clip-mossberg-shotguns/>>

\* cited by examiner

*Primary Examiner* — Khawaja Anwar

*Assistant Examiner* — Mojtaba Tehrani

(74) *Attorney, Agent, or Firm* — Jeffrey T. Breloski;  
ATLawip LLC

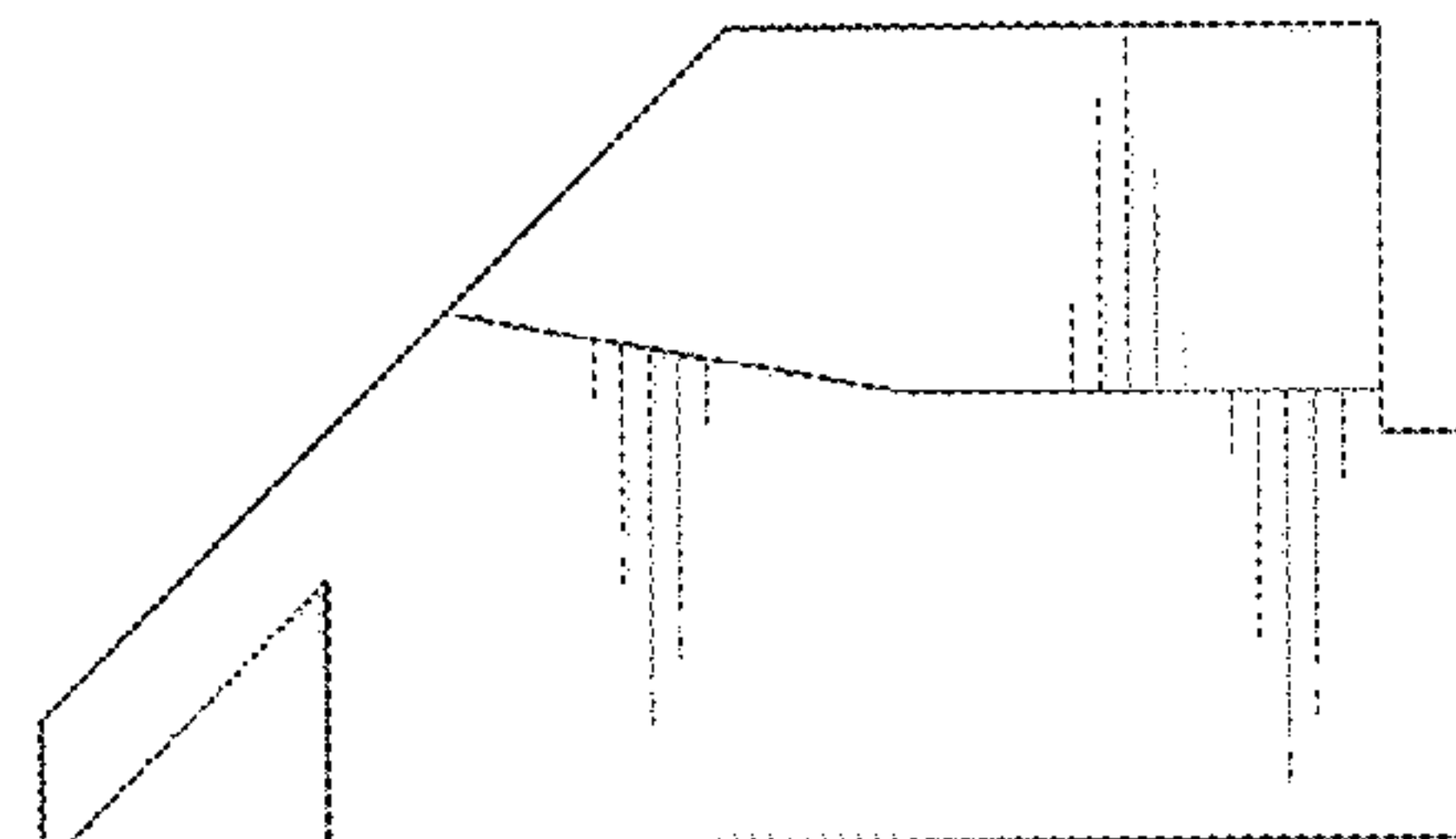
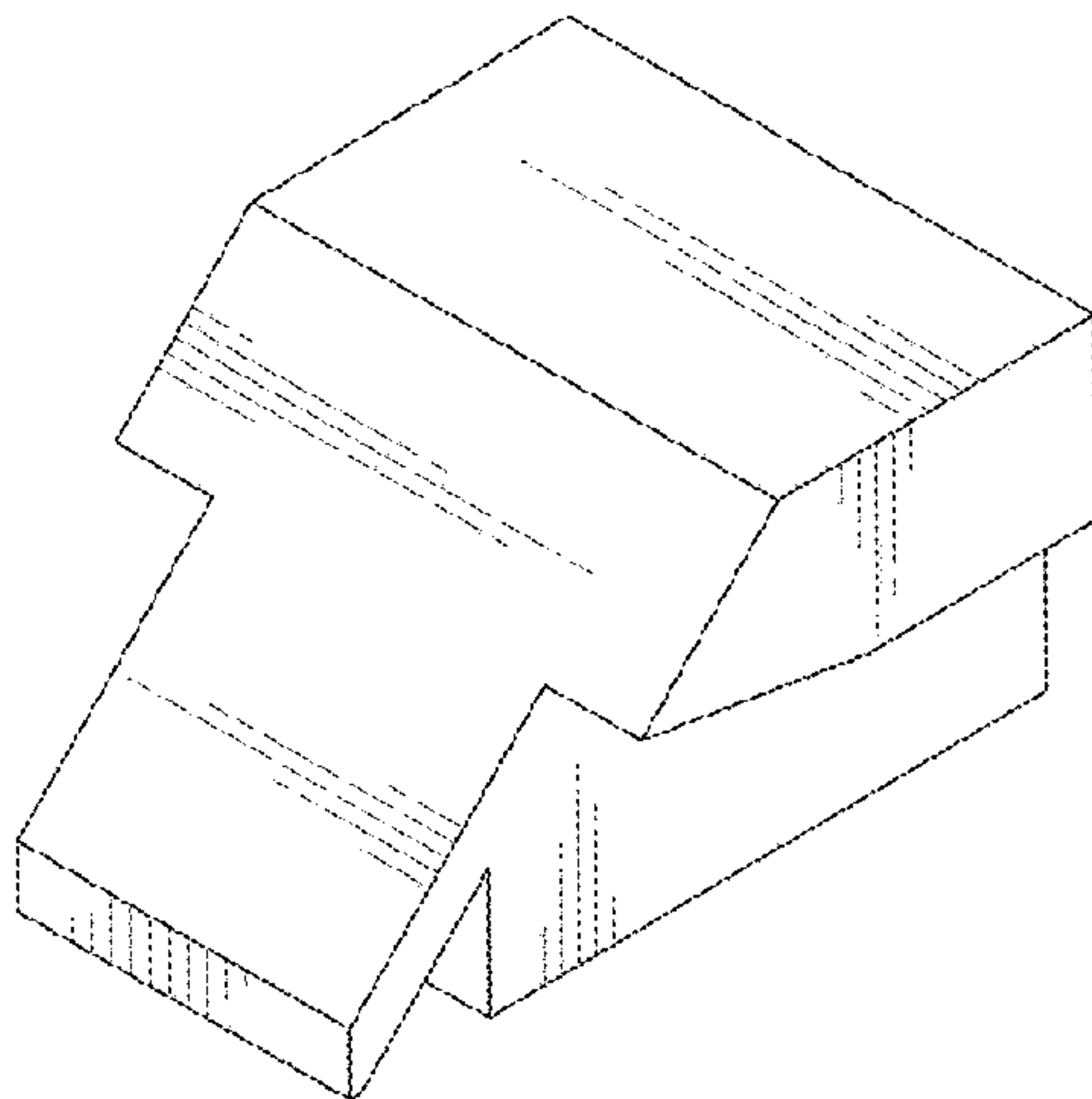
(57) **CLAIM**

The ornamental design for a shell adapter for shotgun, as shown and described.

**DESCRIPTION**

FIG. 1 is a front perspective view of a shell adapter for shotgun, showing our new design; FIG. 2 is a backside perspective view thereof; FIG. 3 is a top elevational view thereof; FIG. 4 is a right side elevational view thereof; FIG. 5 is a front side elevational view thereof; FIG. 6 is a left side elevational view thereof; FIG. 7 is a backside elevational view thereof; FIG. 8 is a bottom elevational view thereof; and, FIG. 9 is a cross sectional view of FIG. 8.

**1 Claim, 2 Drawing Sheets**



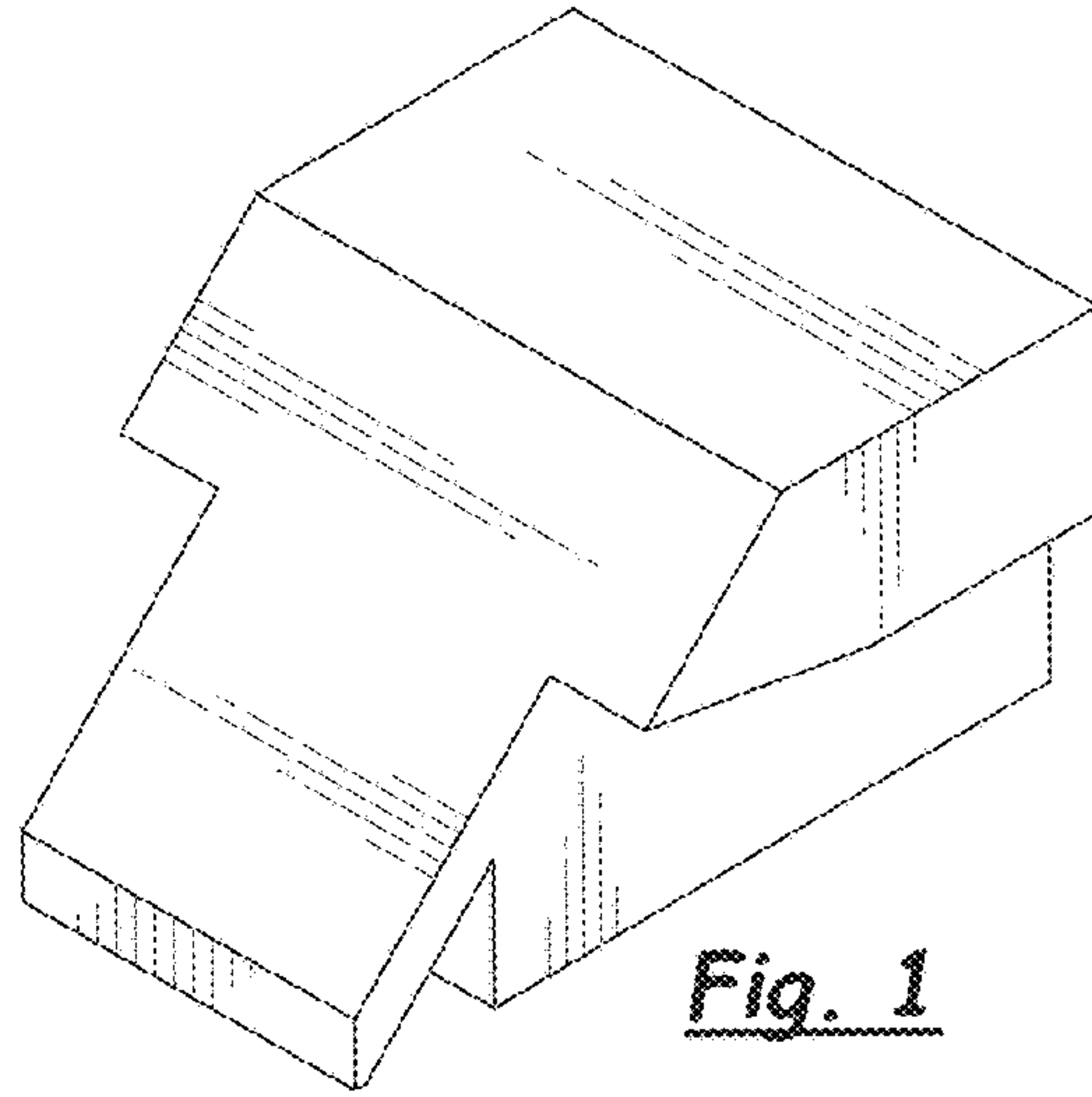


Fig. 1

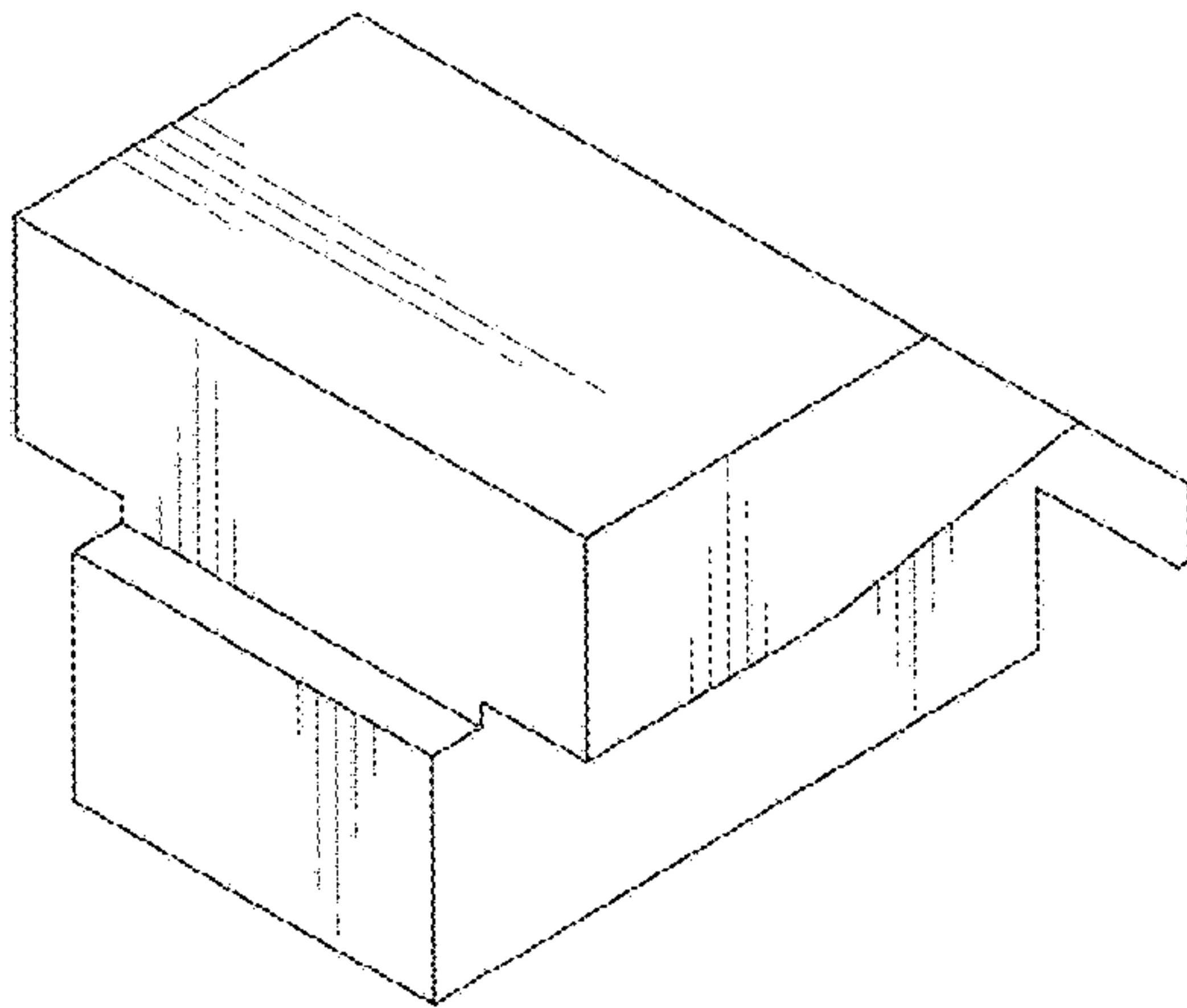


Fig. 2

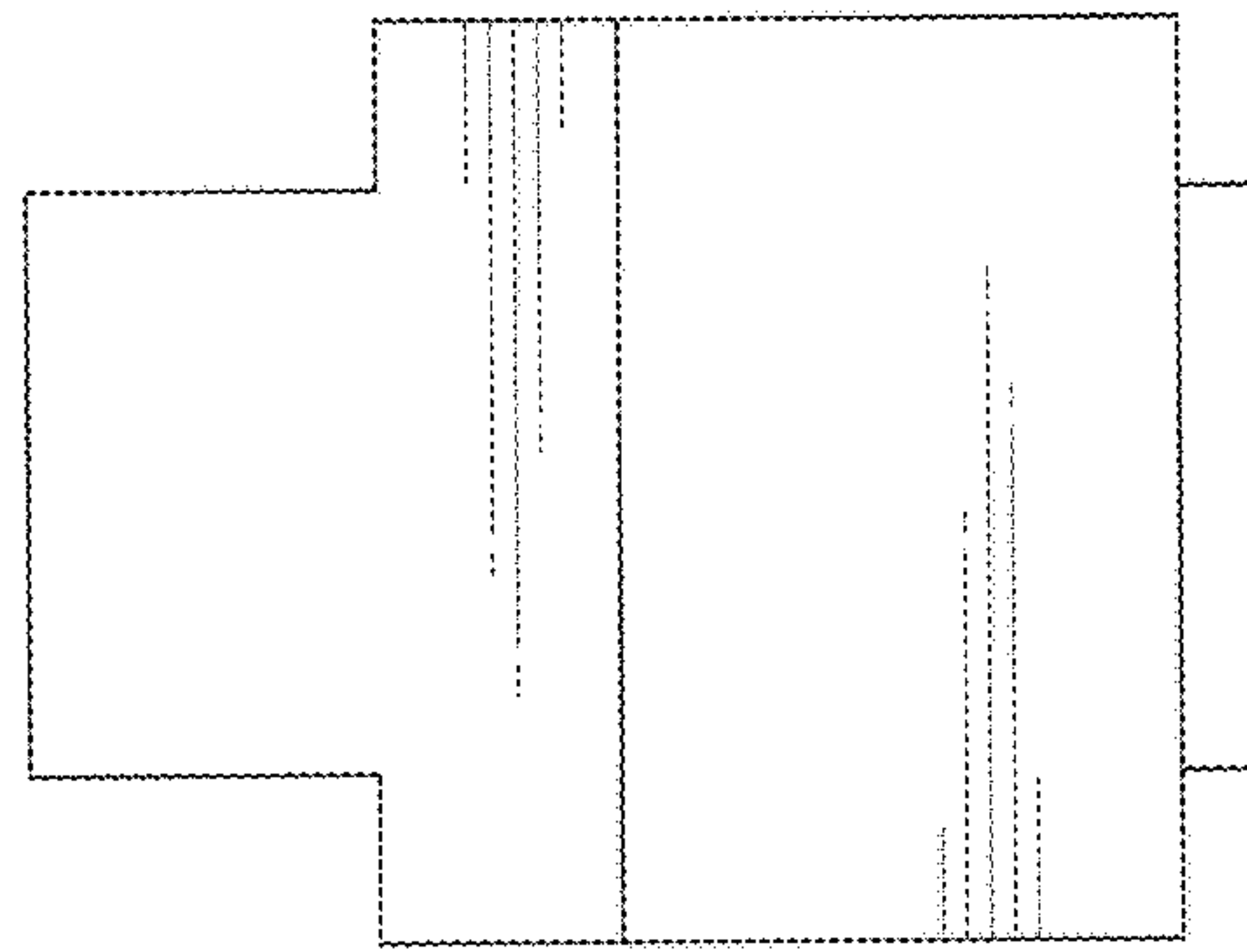


Fig. 3

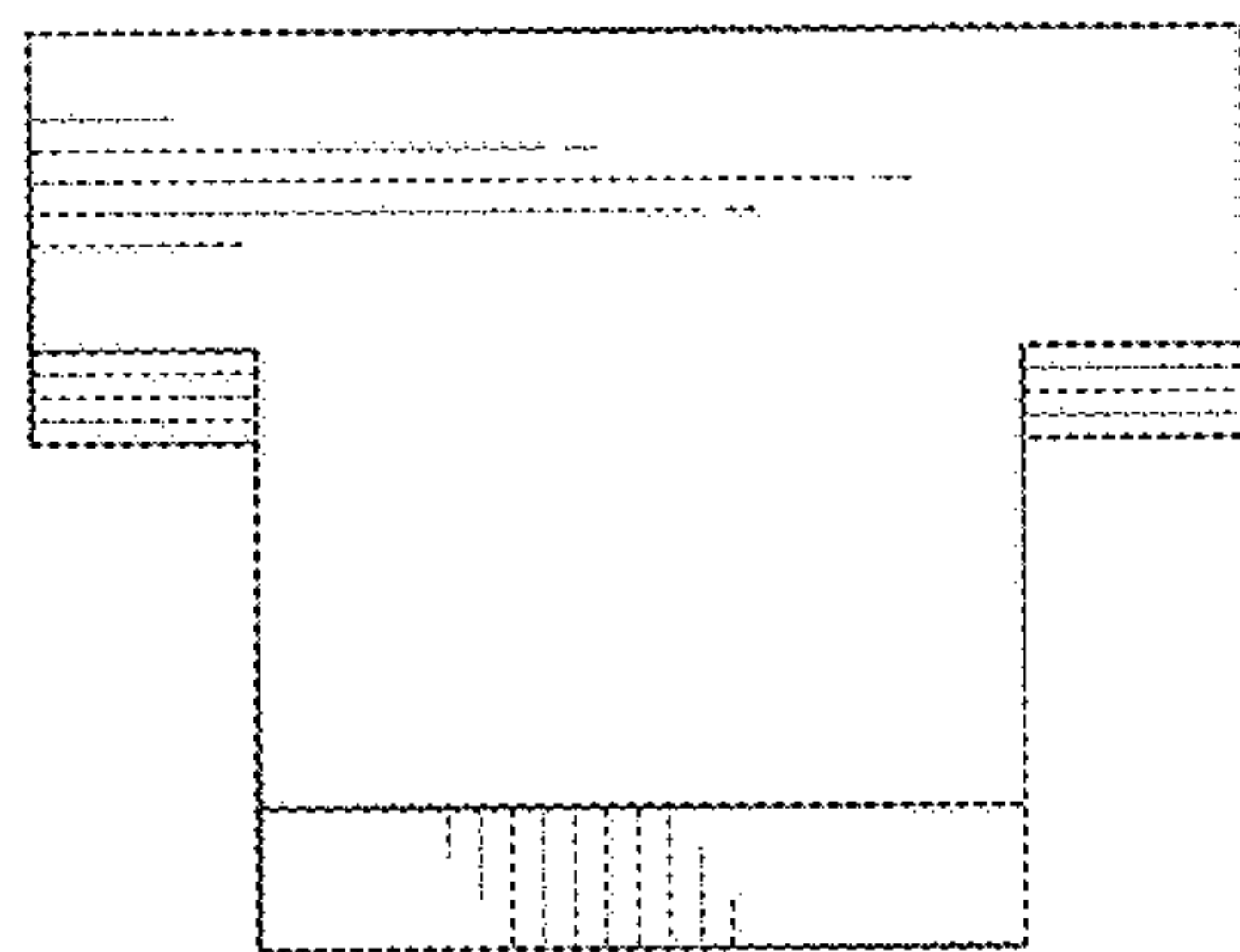


Fig. 4

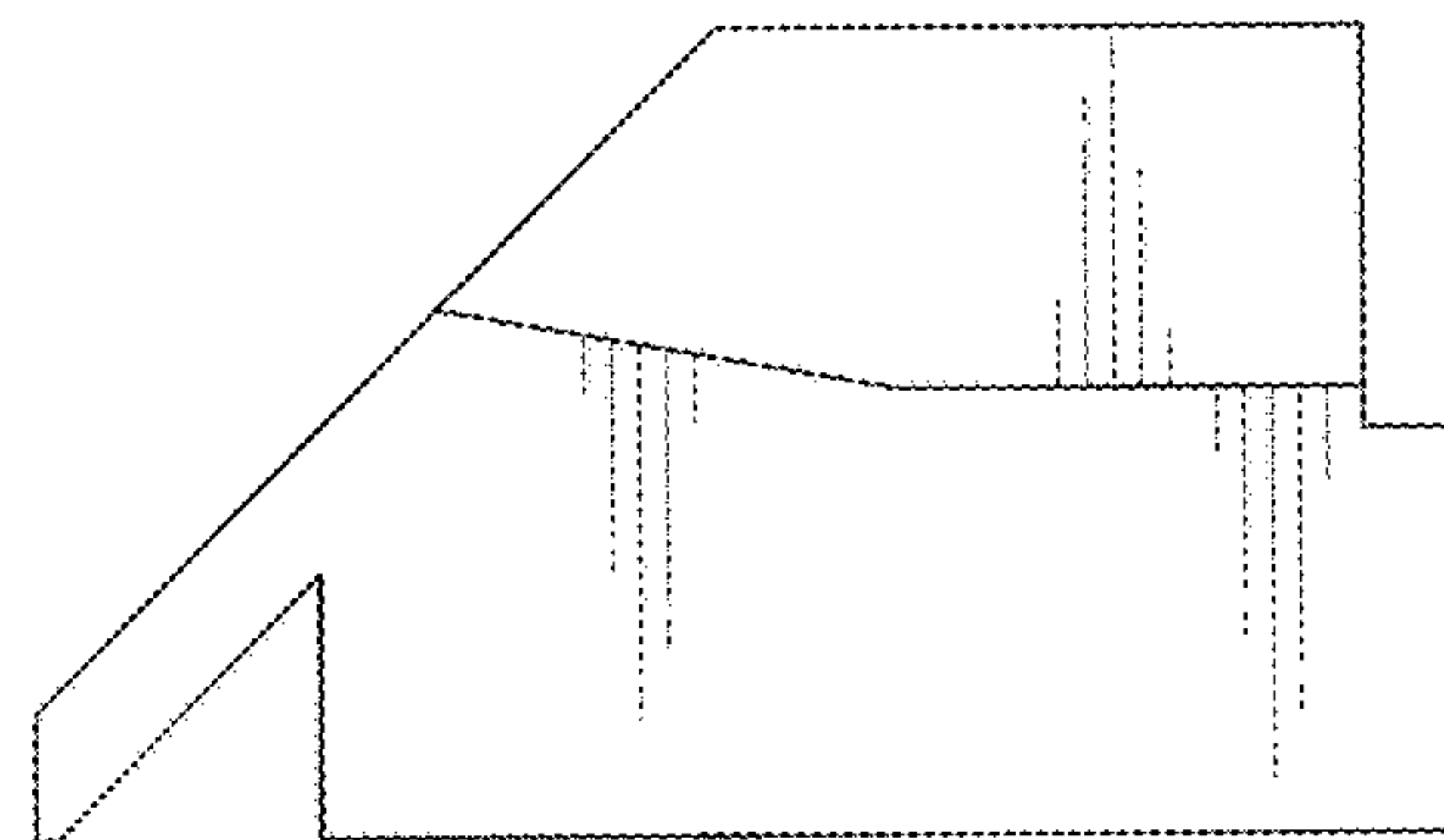


Fig. 5

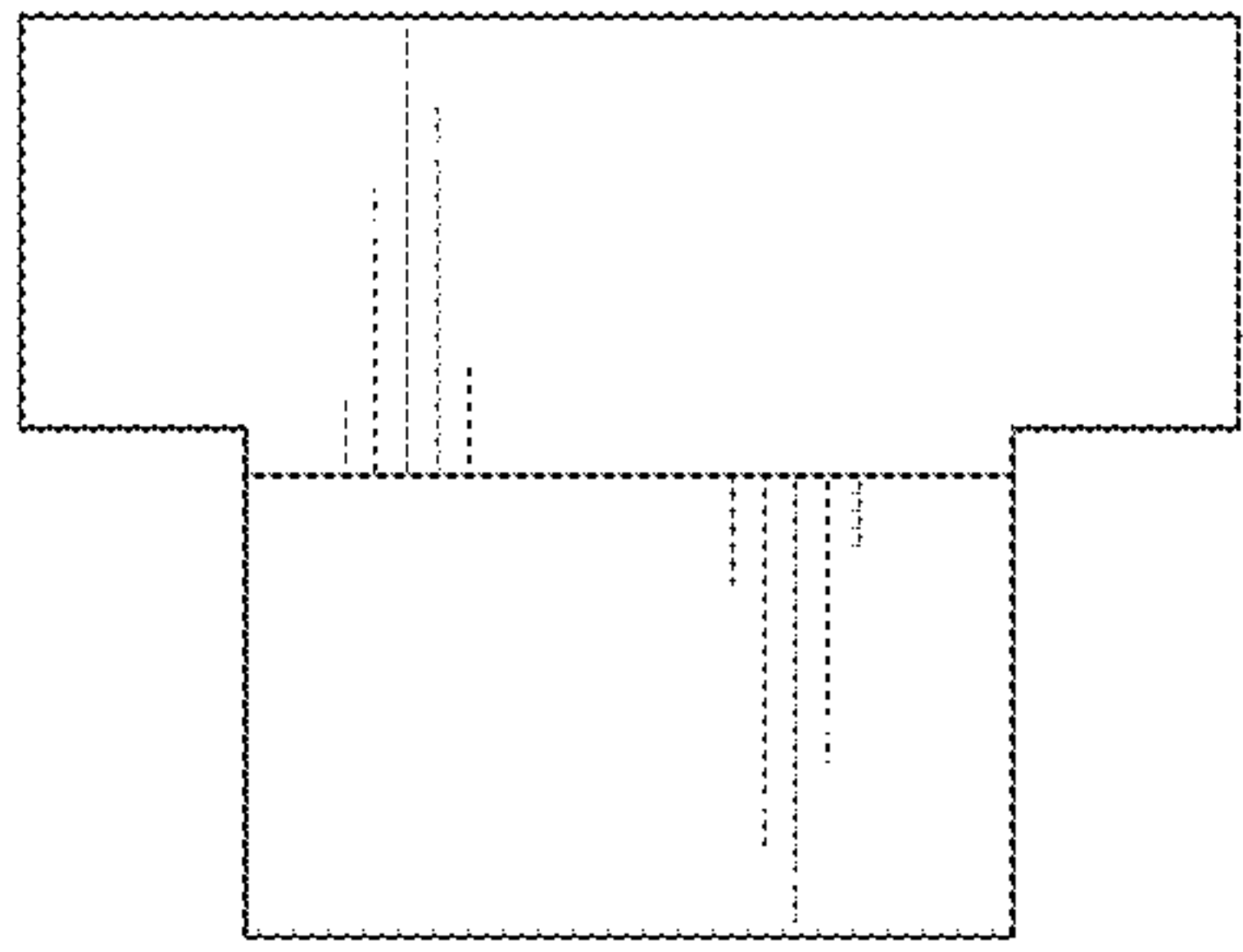


Fig. 6

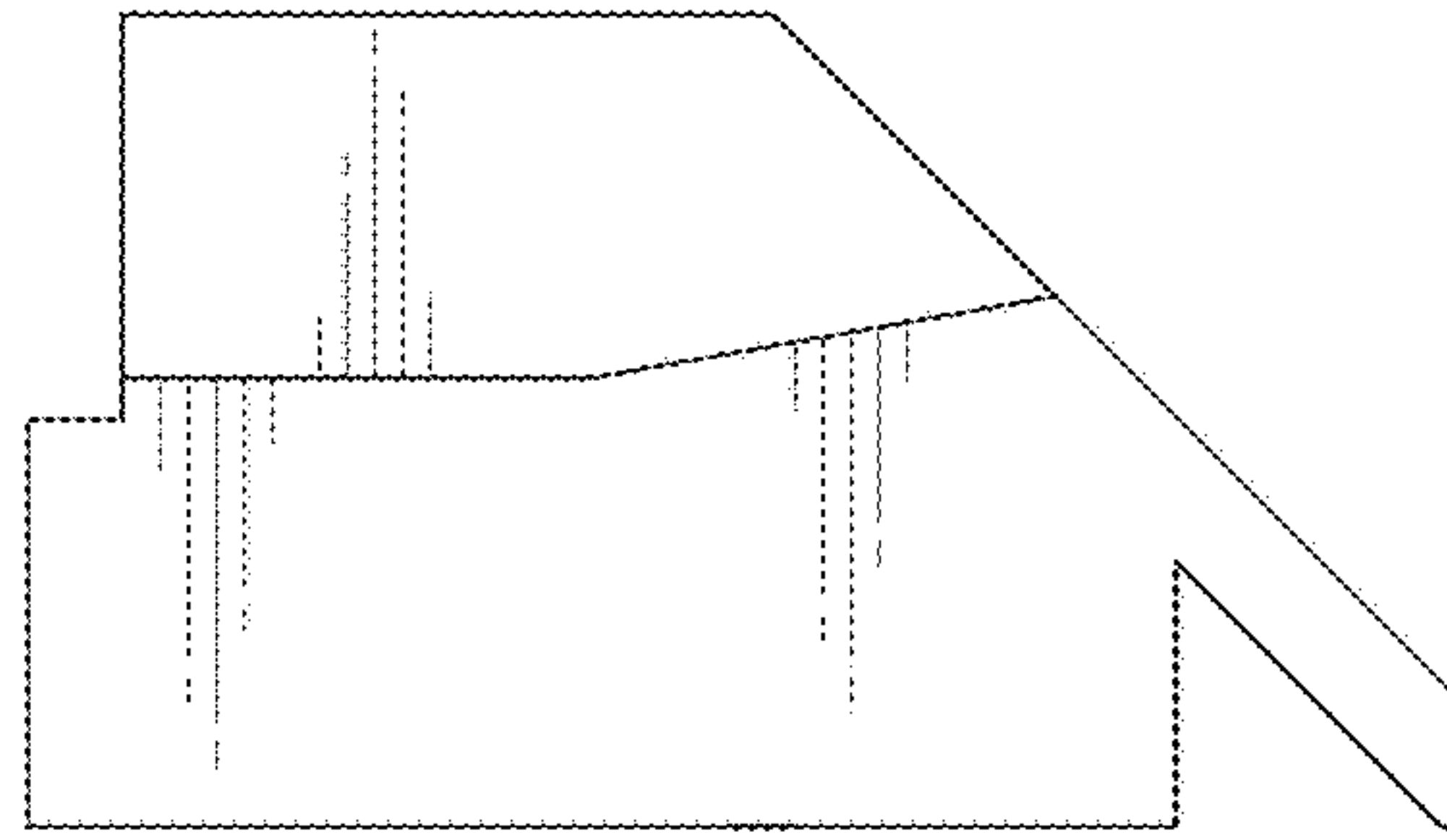


Fig. 7

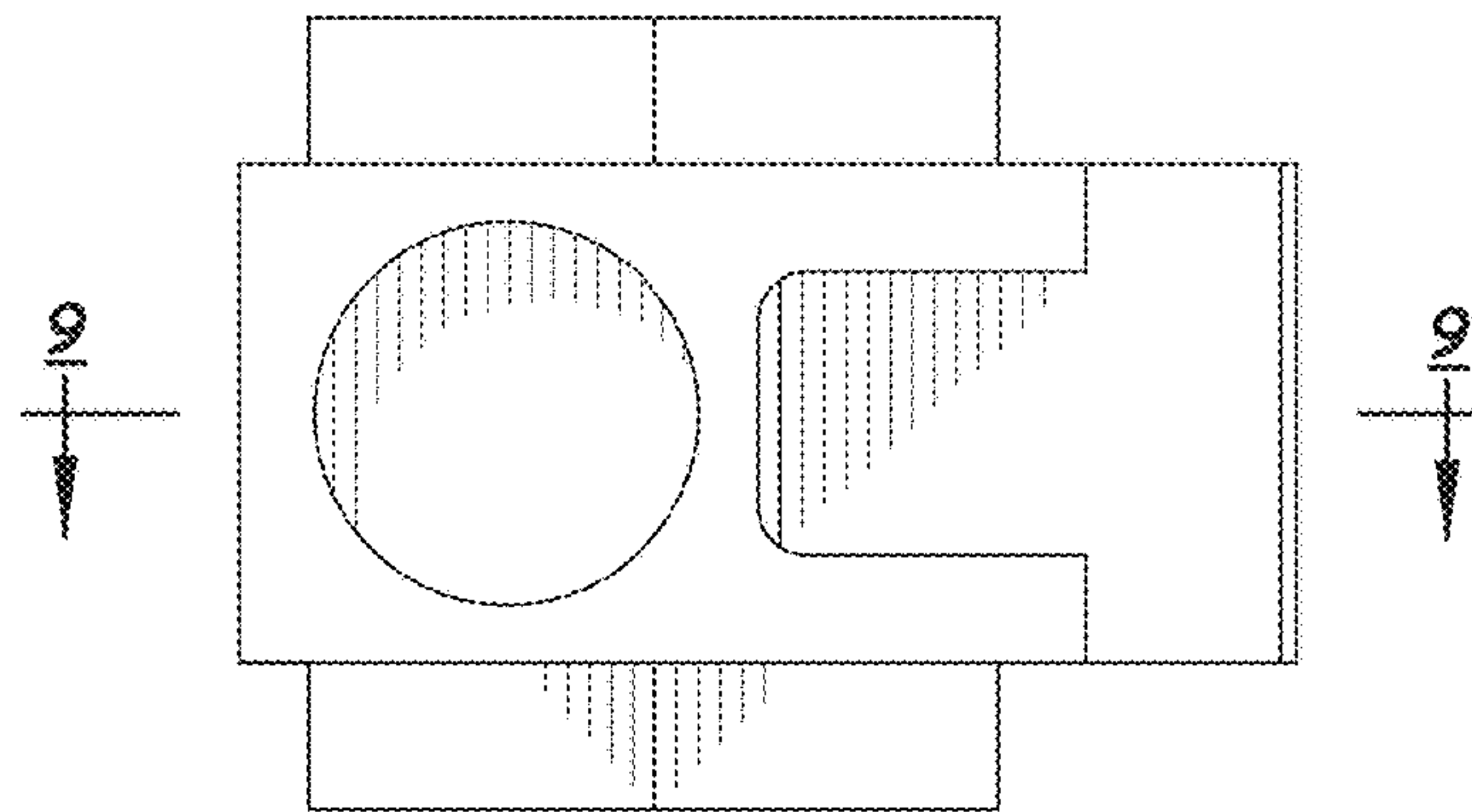


Fig. 8

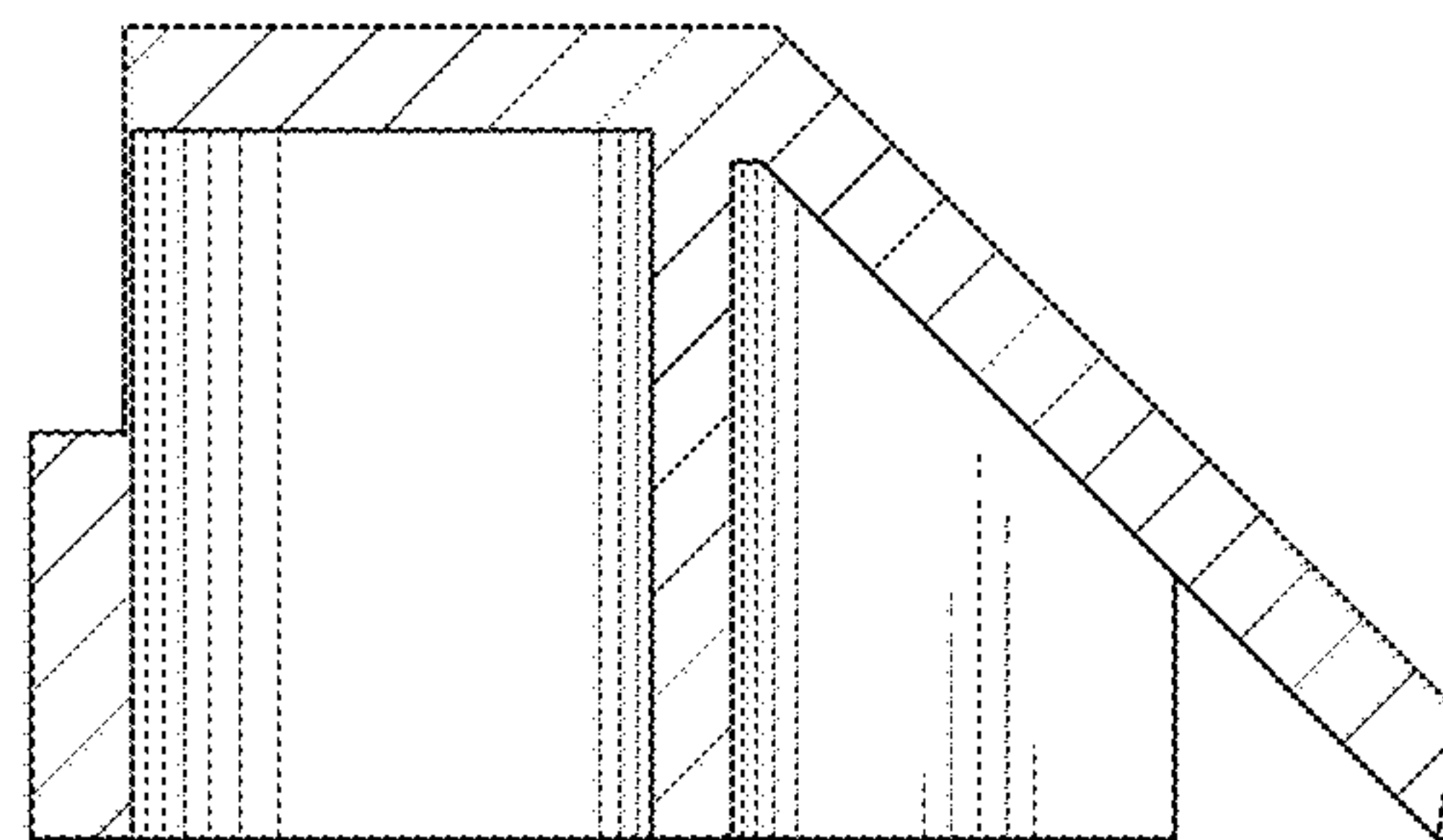


Fig. 9

UNITED STATES PATENT AND TRADEMARK OFFICE  
**CERTIFICATE OF CORRECTION**

PATENT NO. : D857,832 S  
APPLICATION NO. : 29/653397  
DATED : August 27, 2019  
INVENTOR(S) : Twain Henry et al.

Page 1 of 1

It is certified that error appears in the above-identified patent and that said Letters Patent is hereby corrected as shown below:

On the Title Page

Column 1, item (72) Inventors insert:  
--Brad Mason (Houston, TX, US);  
Arthur Mason (Houston, TX, US)--

Signed and Sealed this  
Thirtieth Day of April, 2024  
*Katherine Kelly Vidal*

Katherine Kelly Vidal  
*Director of the United States Patent and Trademark Office*