



US00D857831S

(12) **United States Design Patent**  
**Betty et al.**

(10) **Patent No.:** **US D857,831 S**

(45) **Date of Patent:** **\*\* Aug. 27, 2019**

(54) **CROSSBOW COCKING DEVICE**

(71) Applicants: **Lee Betty**, Broomfield, CO (US);  
**Matthew Simmons**, Broomfield, CO (US)

(72) Inventors: **Lee Betty**, Broomfield, CO (US);  
**Matthew Simmons**, Broomfield, CO (US)

(73) Assignee: **The Allen Company, Inc.**, Broomfield, CO (US)

(\*\*) Term: **15 Years**

(21) Appl. No.: **29/647,101**

(22) Filed: **May 9, 2018**

(51) **LOC (12) Cl.** ..... **22-01**

(52) **U.S. Cl.**  
USPC ..... **D22/107; D21/571**

(58) **Field of Classification Search**  
USPC ..... D22/100, 101, 102, 103, 104, 105, 106,  
D22/107, 108, 109, 110, 111, 115, 116,  
D22/199; D21/300, 301, 302, 306, 334,  
D21/335, 443, 571, 573-575, 746  
CPC ..... F41C 23/14; F41C 23/20; F41C 23/04;  
F41C 23/00; F41C 23/10; F41C 27/00;  
F41C 7/00; F41C 23/06; F41C 3/00;  
F41B 5/10; F41B 5/14; F41B 5/0094;  
F41B 5/1469; F41B 5/00

See application file for complete search history.

(56) **References Cited**

**U.S. PATENT DOCUMENTS**

D255,824 S \* 7/1980 MacWilliams ..... 124/35.2  
5,823,172 A \* 10/1998 Suggitt ..... F41B 5/12  
124/25  
D557,584 S \* 12/2007 Gao ..... D8/107  
D647,157 S 10/2011 Errett

D654,133 S \* 2/2012 Barnett ..... D22/107  
D672,840 S \* 12/2012 Neufeld ..... D22/108  
8,439,024 B2 \* 5/2013 Barnett ..... F41B 5/1469  
124/25  
8,443,790 B2 \* 5/2013 Pestrue ..... F41B 5/1469  
124/25  
9,335,115 B2 5/2016 Bednar et al.  
9,797,676 B2 10/2017 Houle  
D806,818 S \* 1/2018 Major ..... D22/108  
10,175,025 B1 \* 1/2019 Fehringer ..... F41B 5/1469

**OTHER PUBLICATIONS**

“RSD Crank” [online]. Missioncrossbows.com. [Retrieved on Mar. 25, 2019]. Retrieved from the Internet: <<https://missioncrossbows.com/product/gear/rsd-crank/>>.\*

\* cited by examiner

*Primary Examiner* — Khawaja Anwar  
*Assistant Examiner* — Mojtaba Tehrani

(74) *Attorney, Agent, or Firm* — Boyd D. Cox

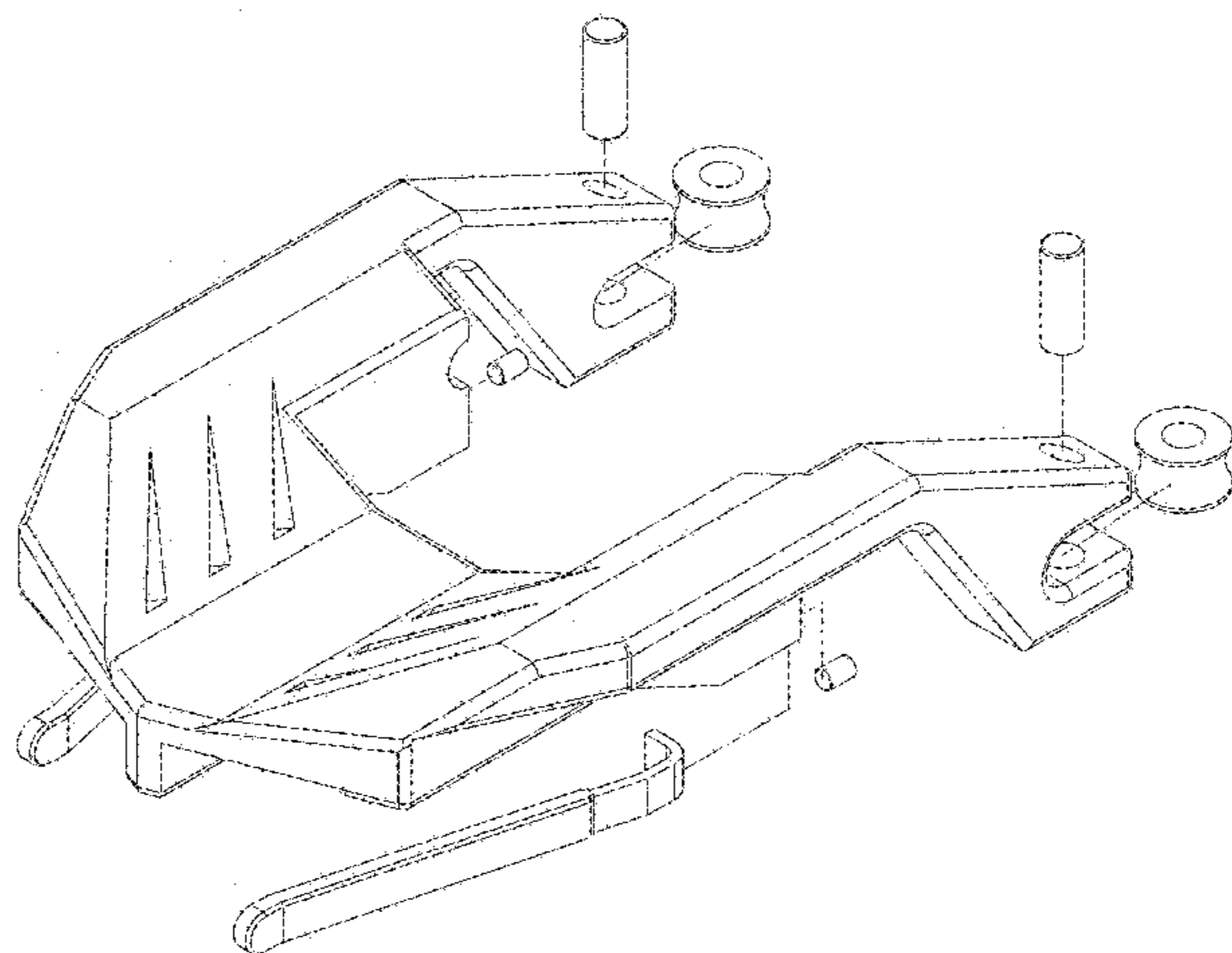
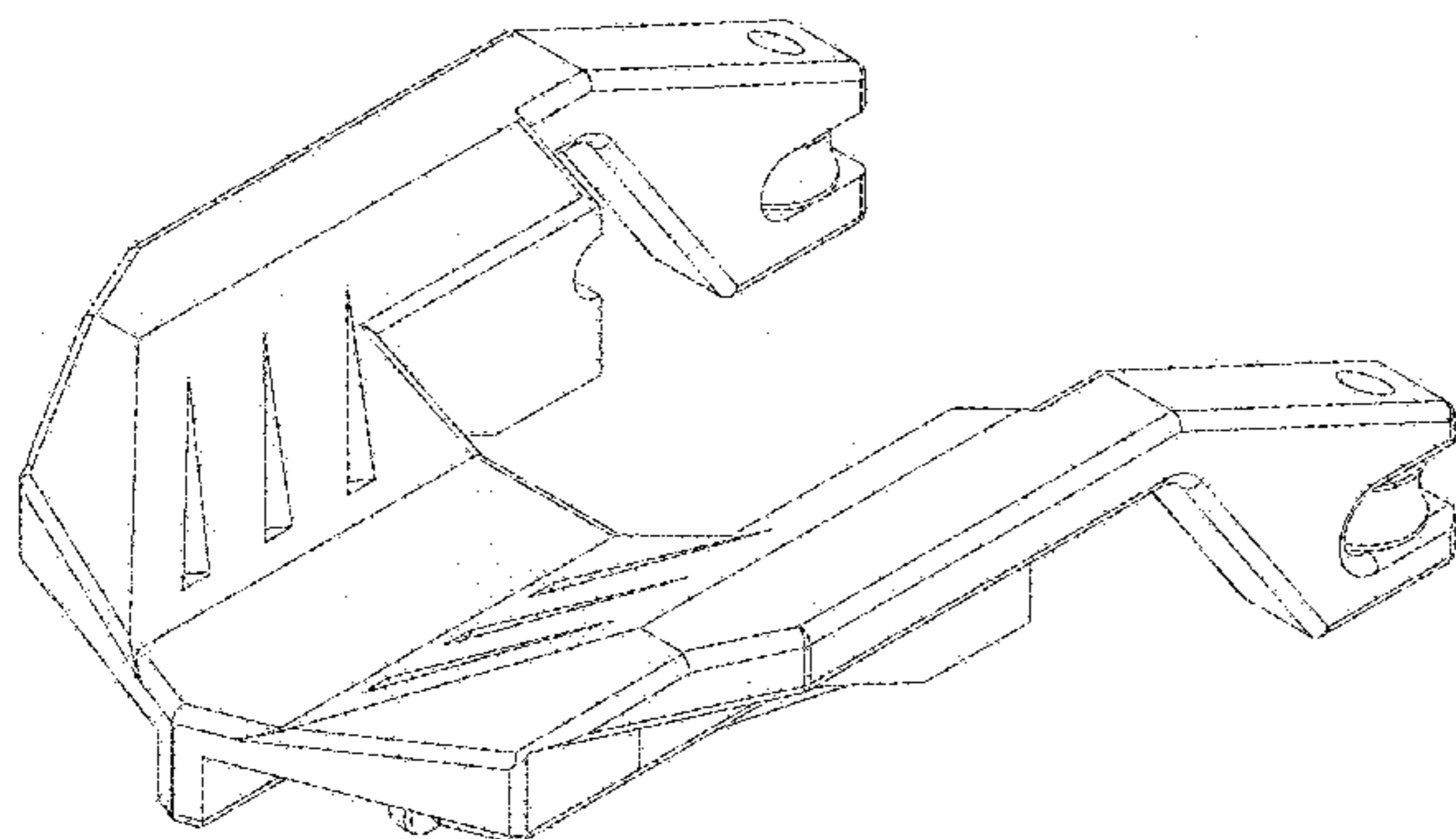
(57) **CLAIM**

The ornamental design for a crossbow cocking device, as shown.

**DESCRIPTION**

FIG. 1 is a top perspective view of a crossbow cocking device, showing our new design;  
FIG. 2 is an exploded perspective view thereof;  
FIG. 3 is a front elevation view thereof;  
FIG. 4 is a top plan view thereof;  
FIG. 5 is a bottom plan view thereof;  
FIG. 6 is a rear elevation view thereof;  
FIG. 7 is a left side elevation view thereof; and,  
FIG. 8 is a right side elevation view thereof.  
The dash-dot broken lines in FIG. 2 drawing depict projection lines only and form no part of the claimed design.

**1 Claim, 8 Drawing Sheets**



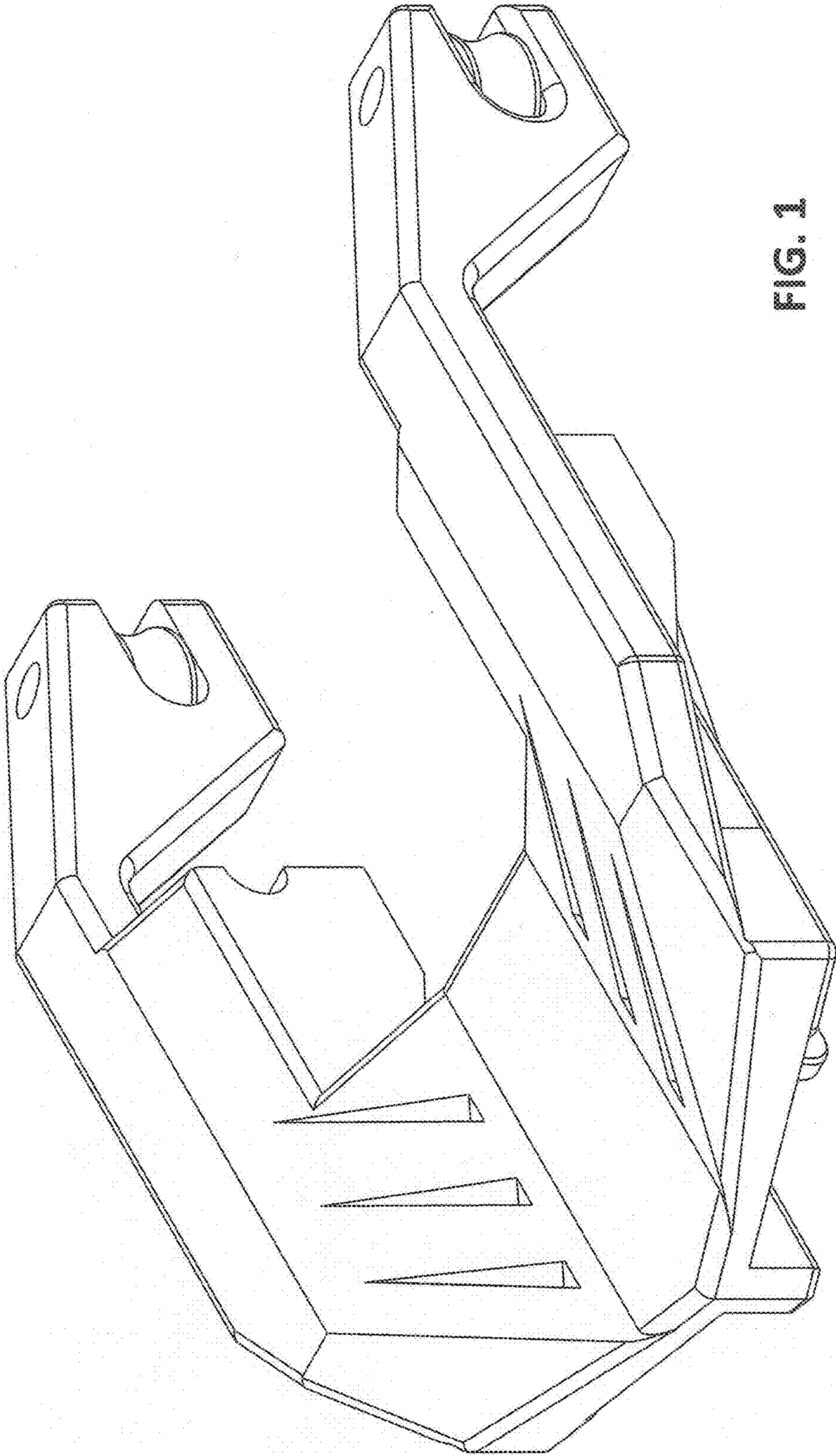
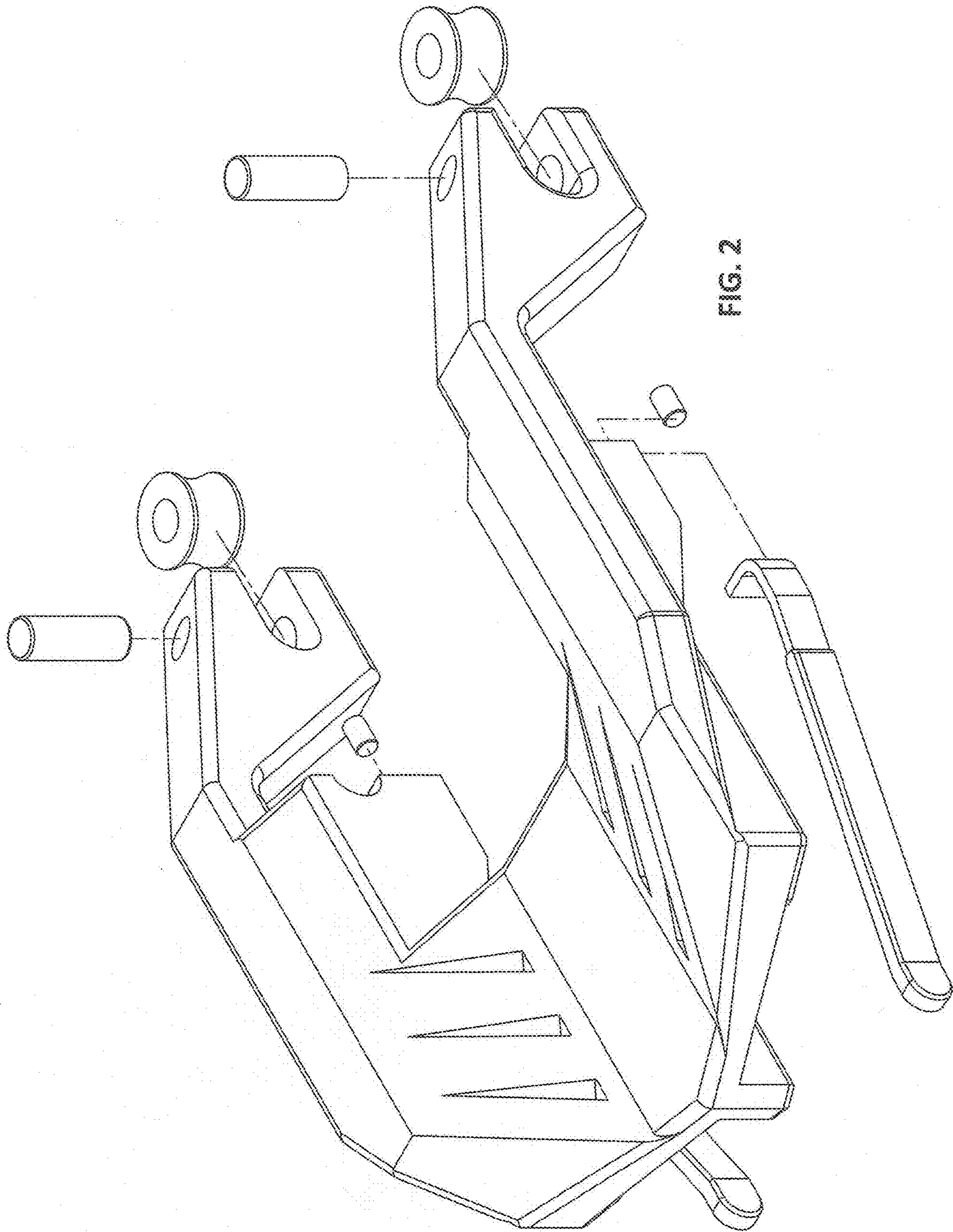


FIG. 1



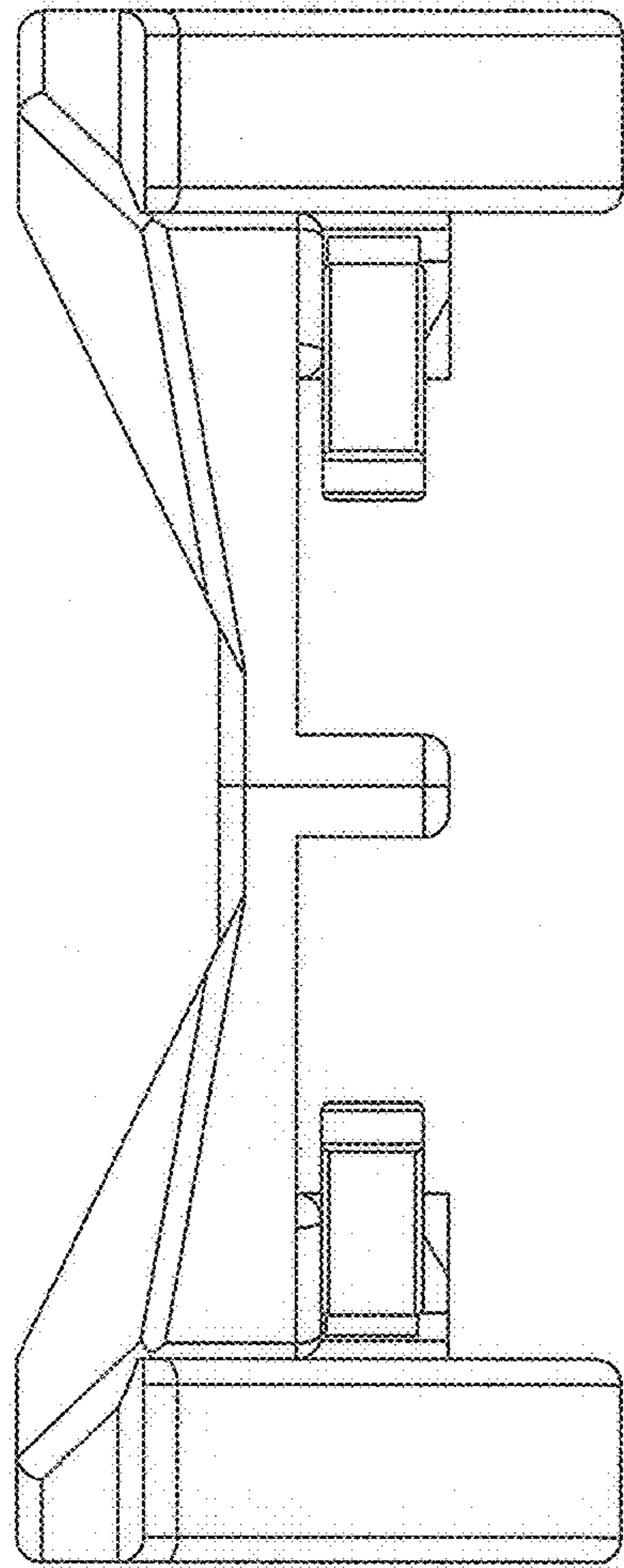


FIG. 3

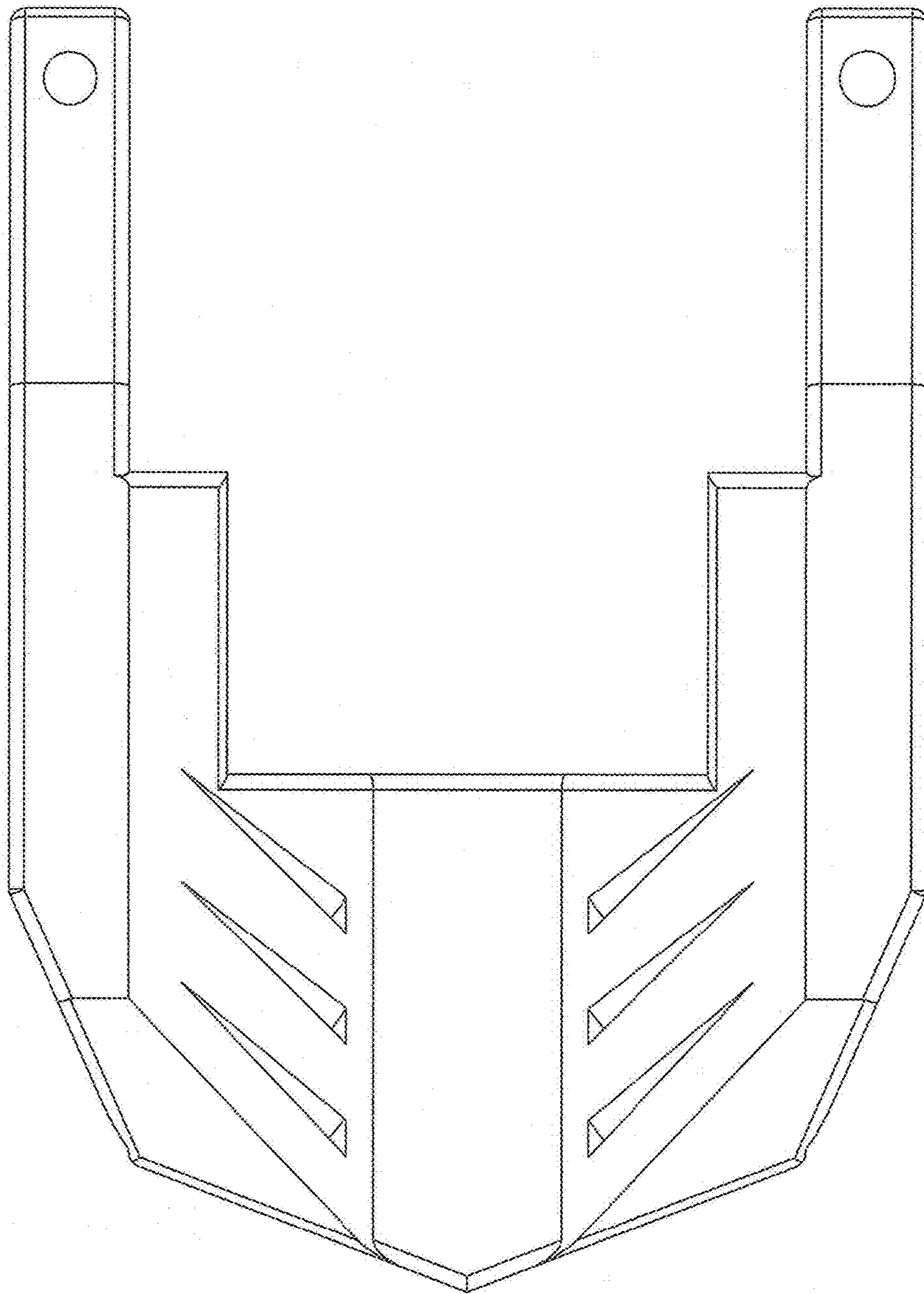


FIG. 4

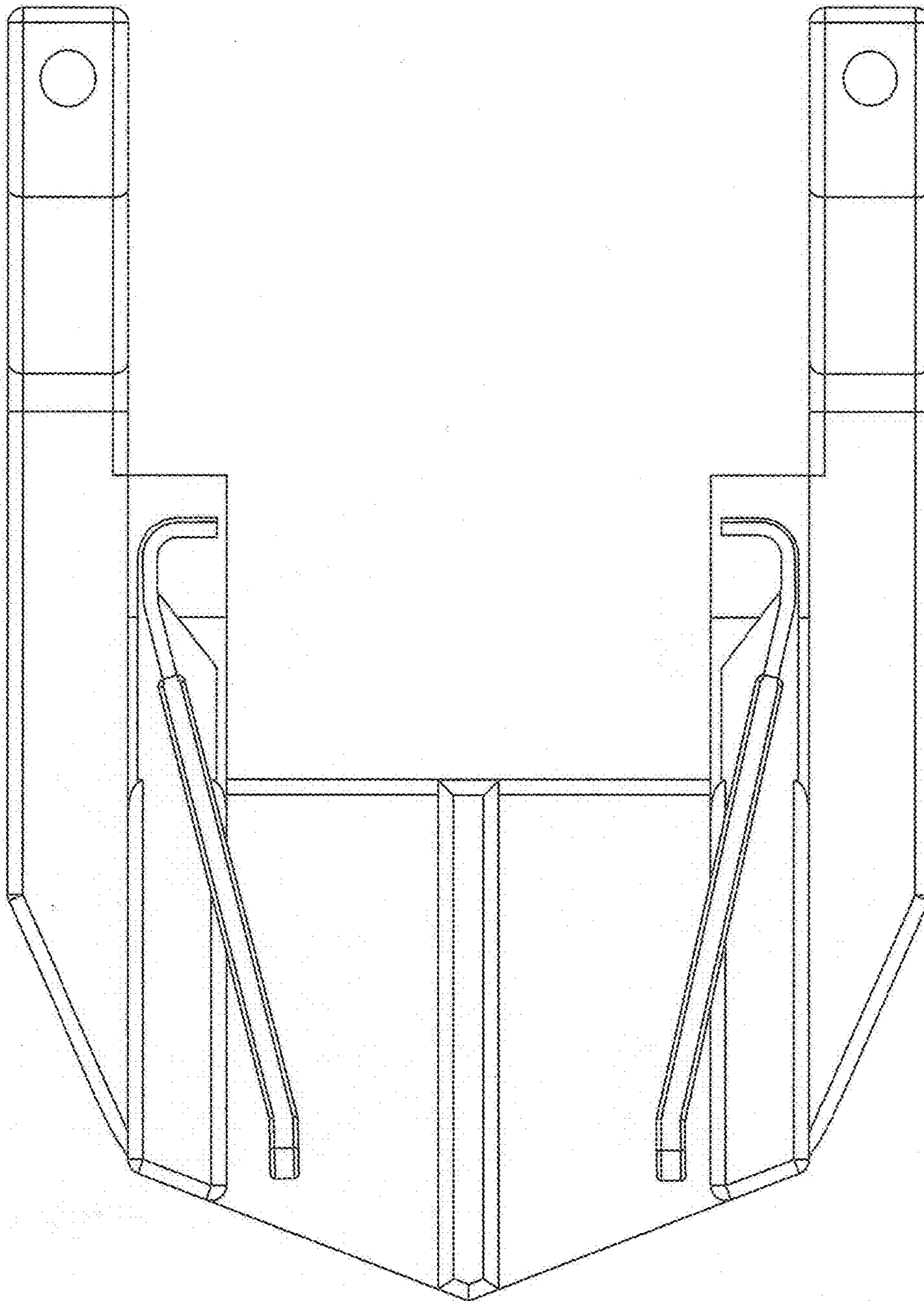


FIG. 5

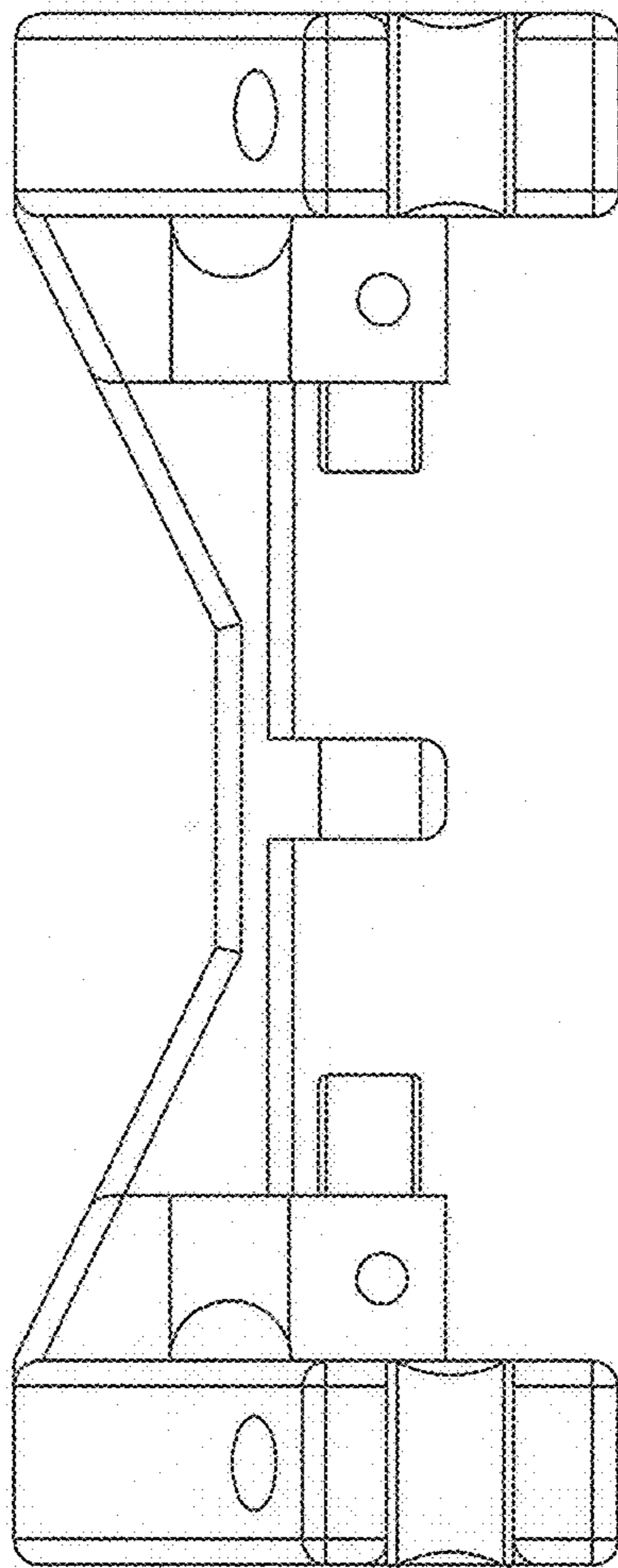


FIG. 6

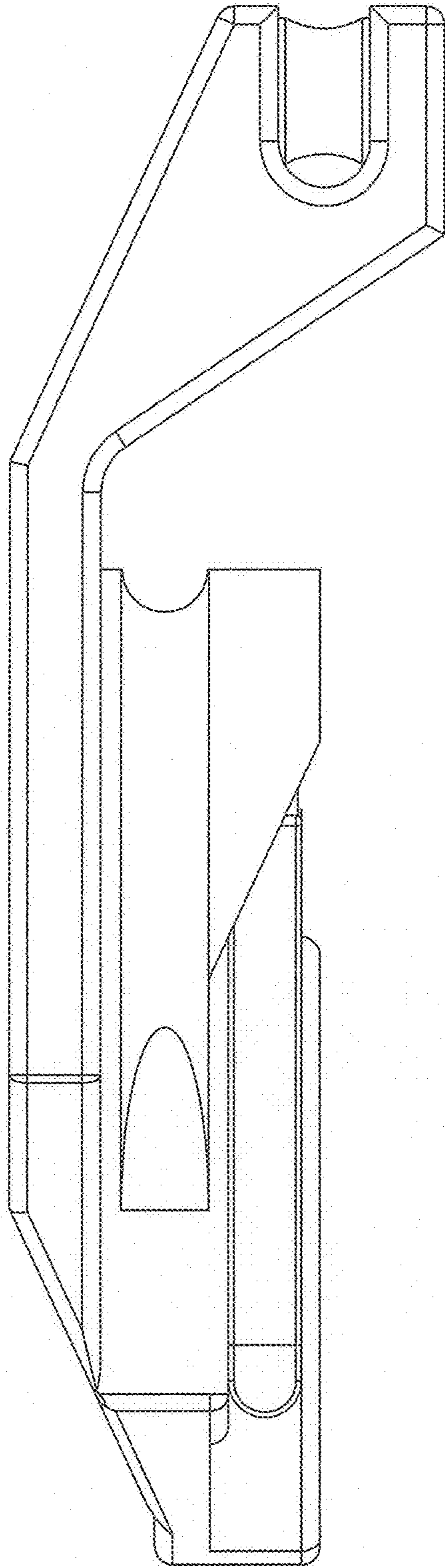


FIG. 7



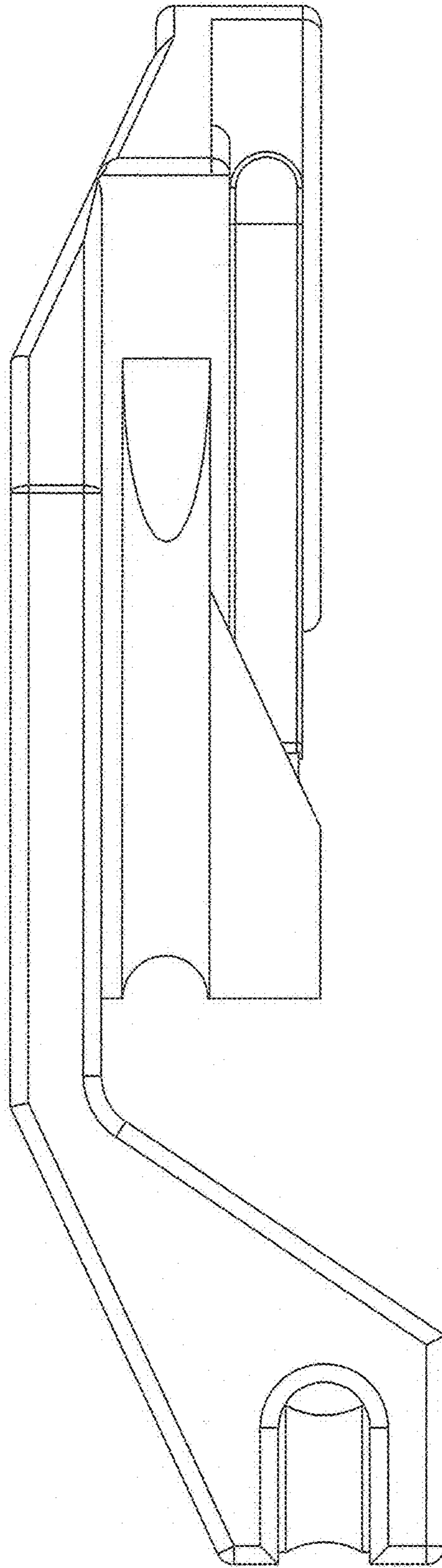


FIG. 8