

US00D857828S

(12) **United States Design Patent**
Thomas

(10) **Patent No.:** **US D857,828 S**

(45) **Date of Patent:** **** Aug. 27, 2019**

(54) **FLOTATION RING**

(71) Applicant: **Jordan Marie Thomas**, Denver, CO
(US)

(72) Inventor: **Jordan Marie Thomas**, Denver, CO
(US)

(**) Term: **15 Years**

(21) Appl. No.: **29/642,242**

(22) Filed: **Mar. 28, 2018**

(51) **LOC (12) Cl.** **21-02**

(52) **U.S. Cl.**
USPC **D21/808; D21/803**

(58) **Field of Classification Search**
USPC D21/803, 804, 807, 808, 809, 810;
D6/392, 595, 596, 601, 604, 605;
D12/316
CPC .. A63B 21/4005; A47C 15/006; A47C 15/008

See application file for complete search history.

(56) **References Cited**

U.S. PATENT DOCUMENTS

5,304,082	A *	4/1994	Wolfe	B63B 35/76 114/345
5,476,404	A *	12/1995	Price	A47C 15/006 441/126
6,053,790	A *	4/2000	Langford	A63G 21/18 114/248
6,213,832	B1 *	4/2001	Fest, Sr.	B63C 9/135 441/129
8,047,886	B1 *	11/2011	McLarty	B63B 7/06 114/346
D724,162	S *	3/2015	James	A63B 23/1236 D21/688
D725,209	S *	3/2015	Wampold	D21/803
D775,293	S *	12/2016	Miller	D21/803

D802,075	S *	11/2017	Wampold	D21/803
D803,339	S *	11/2017	Wampold	D21/803
D805,151	S *	12/2017	Su	D21/803
D813,997	S *	3/2018	McGuire	D23/296
D821,989	S *	7/2018	Sung	D13/199

OTHER PUBLICATIONS

Rose Gold Pool Float: Published Oct. 5, 2017 [online], site visited Oct. 25, 2018. Available from Internet URL: <https://www.instagram.com/flossyfloats/?hl=en>.*

Flossy Floats Original Diamond Ring Rose Gold Pool Float: Published Jan. 30, 2018 [online], site visited Oct. 25, 2018. Available from Internet URL: https://www.amazon.com/Flossy-Floats-Original-Diamond-Float/dp/B0764KYQYP/ref=cm_cr_ar_p_d_product_top?ie=UTF8.*

(Continued)

Primary Examiner — Garth Rademaker

Assistant Examiner — Melvin L Davis

(74) *Attorney, Agent, or Firm* — Dunlap Bennett & Ludwig PLLC; Brendan E. Squire

(57) **CLAIM**

The ornamental design for a flotation ring, as shown and described.

DESCRIPTION

FIG. 1 is a front perspective view of the flotation ring showing my new design;

FIG. 2 is a front elevation view thereof, the rear elevation view being an identical image thereof;

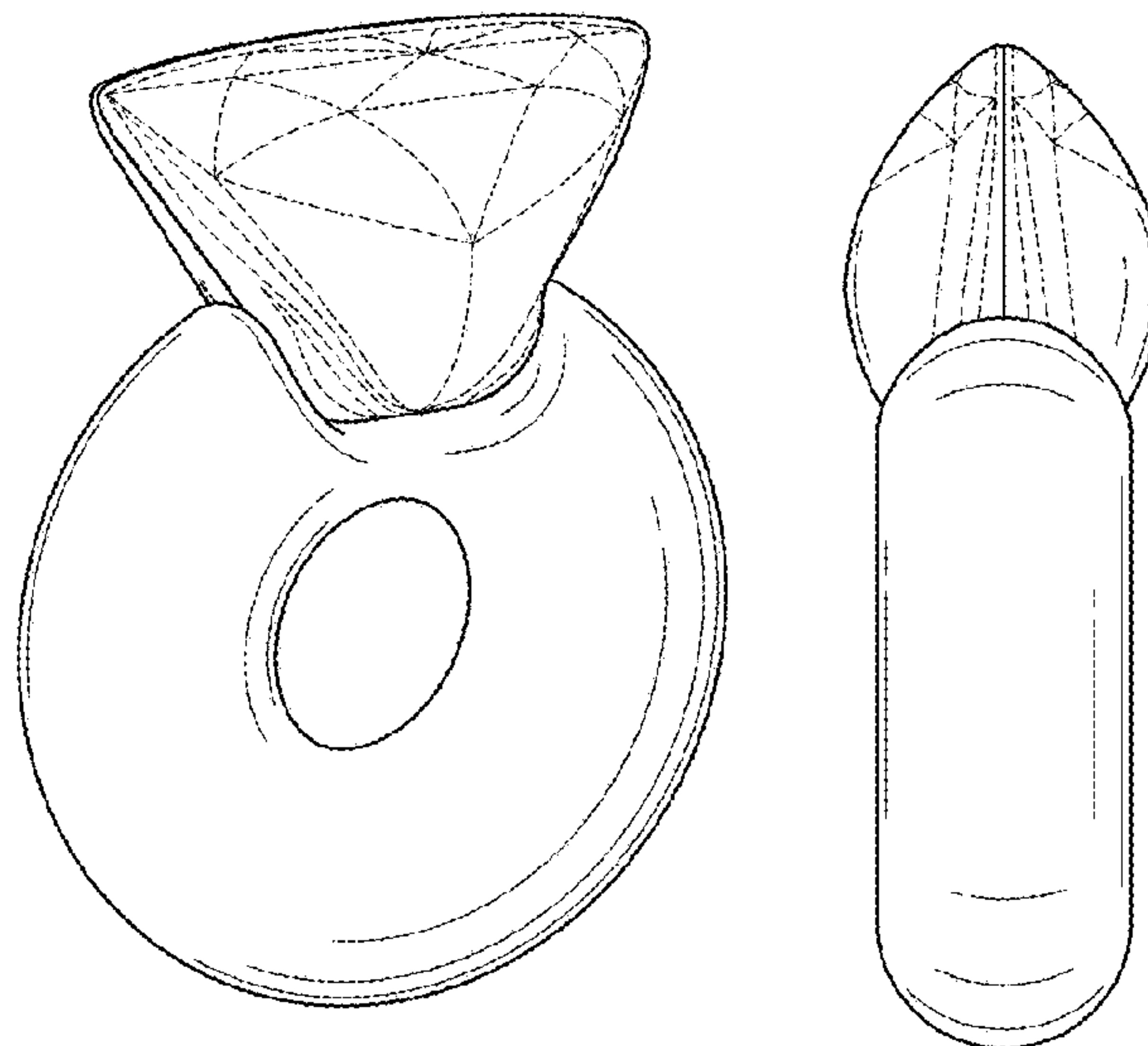
FIG. 3 is a left side elevation view thereof, the right side elevation view being an identical image thereof;

FIG. 4 is a top plan view thereof; and,

FIG. 5 is a bottom plan view thereof.

The broken lines shown in the drawings illustrate portions of the flotation ring that form no part of the claimed design.

1 Claim, 2 Drawing Sheets



(56)

References Cited

OTHER PUBLICATIONS

Rose Gold Pool Float: Published Oct. 7, 2017 [online], site visited Oct. 25, 2018. Available from Internet URL: <https://www.instagram.com/flossyfloats/?hl=en>.*

Rose Gold Pool Float: Published Oct. 17, 2017 [online], site visited Oct. 25, 2018. Available from Internet URL: <https://www.instagram.com/flossyfloats/?hl=en>.*

* cited by examiner

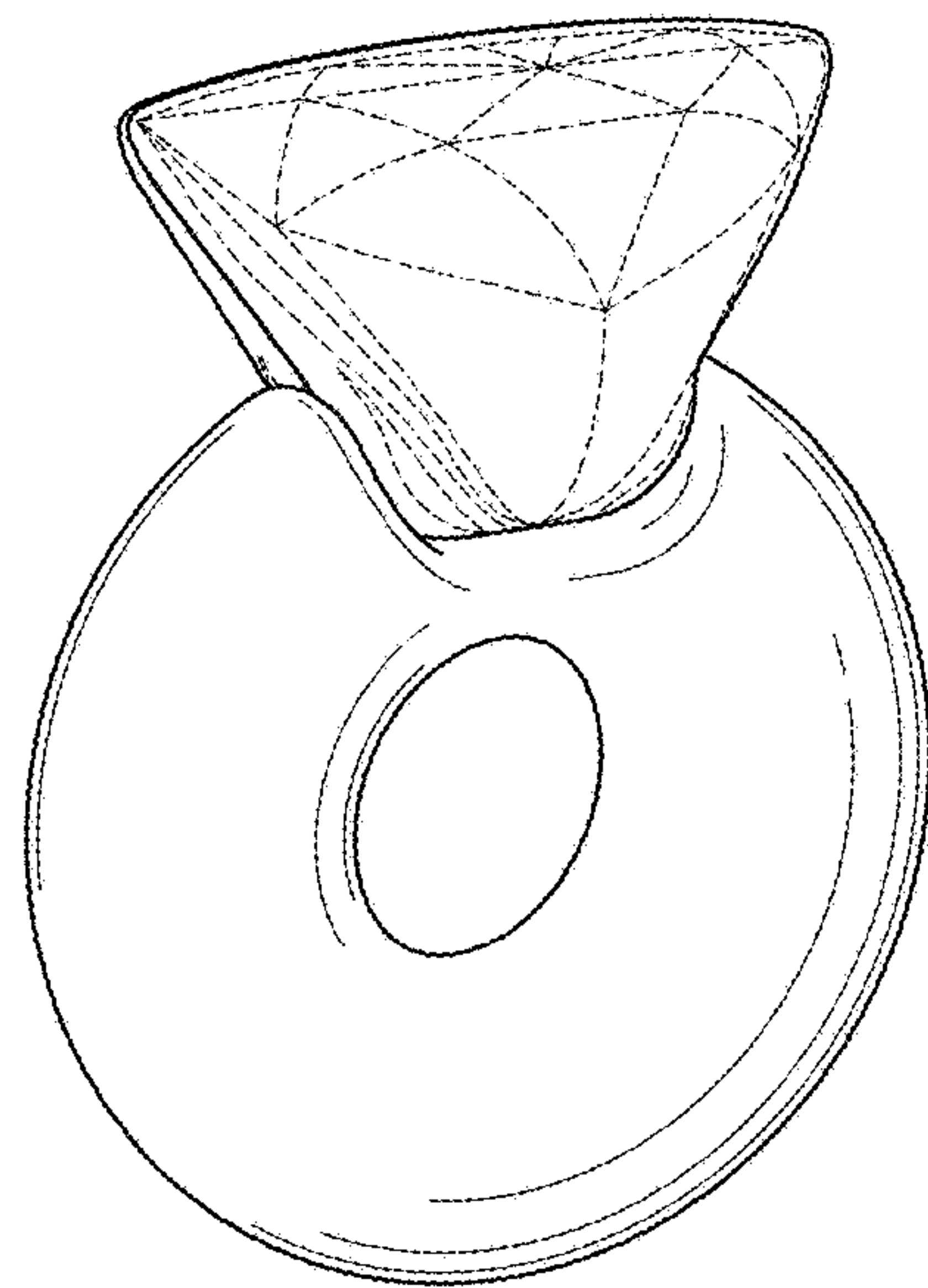


FIG. 1

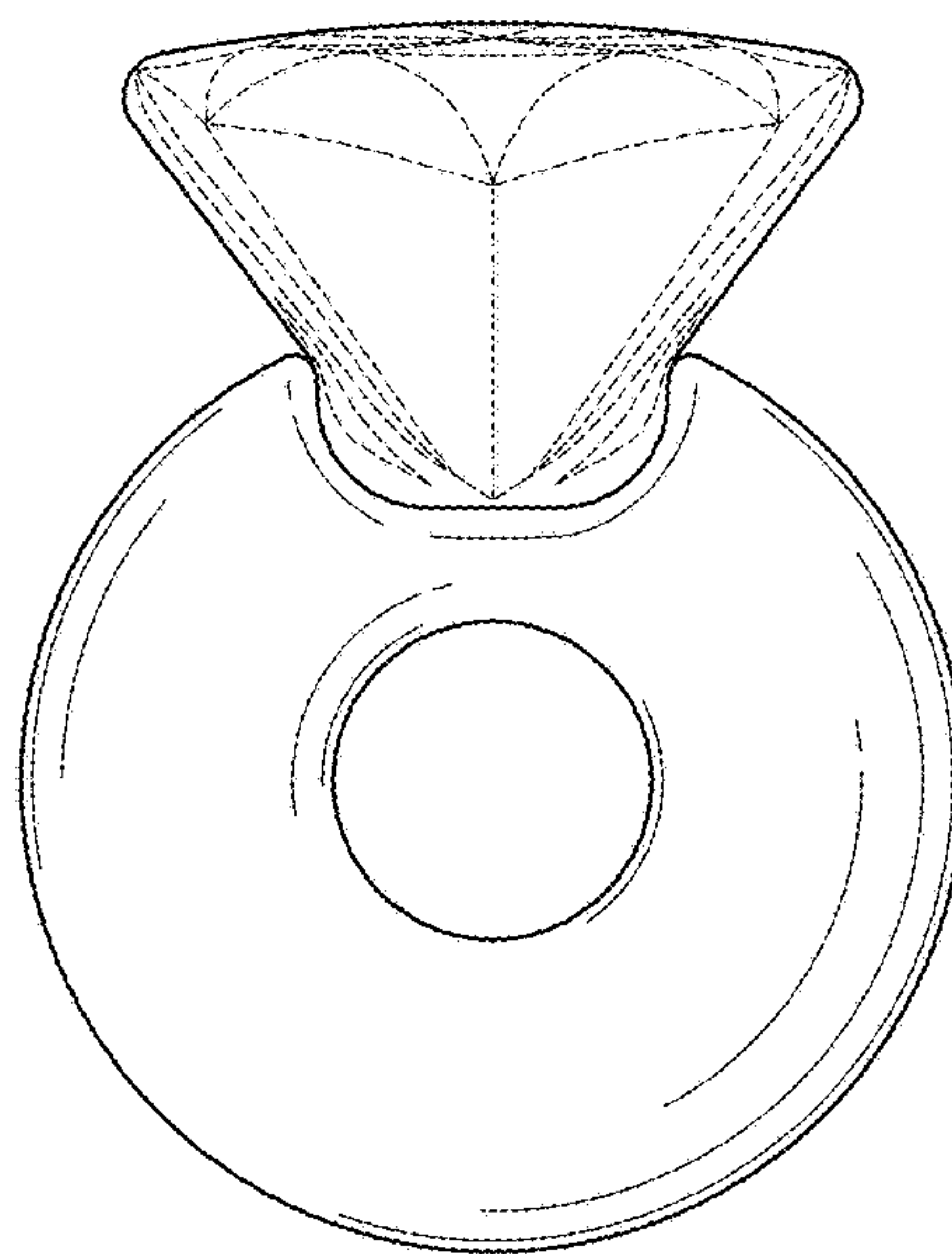


FIG. 2

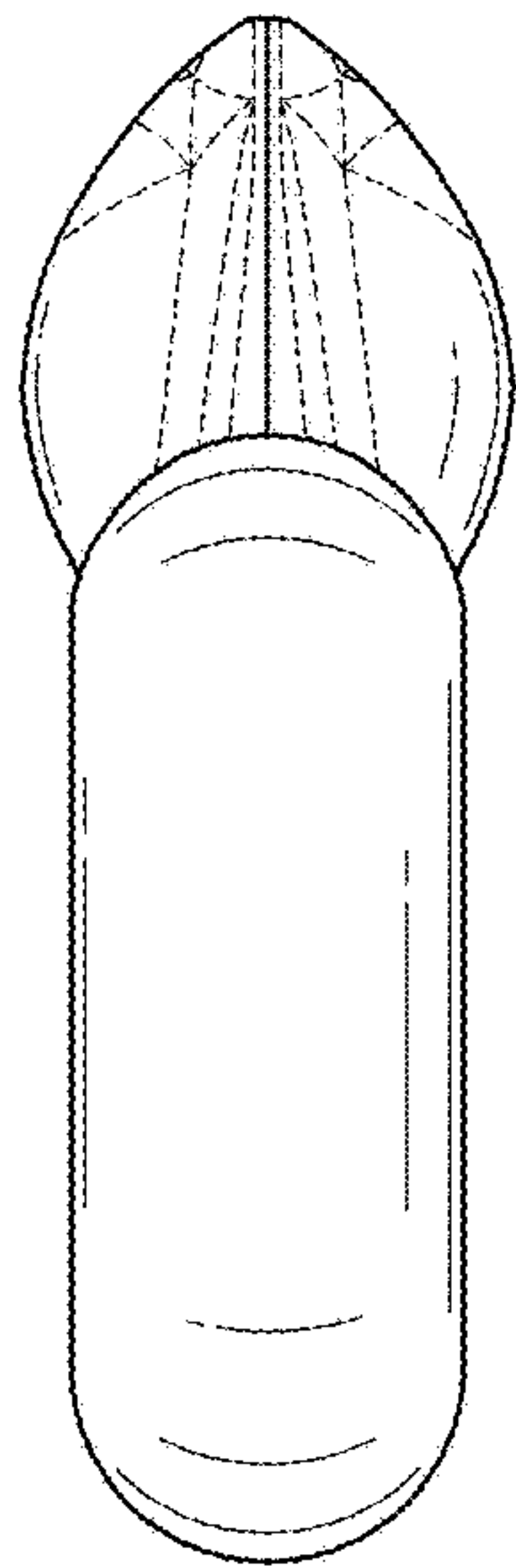


FIG. 3

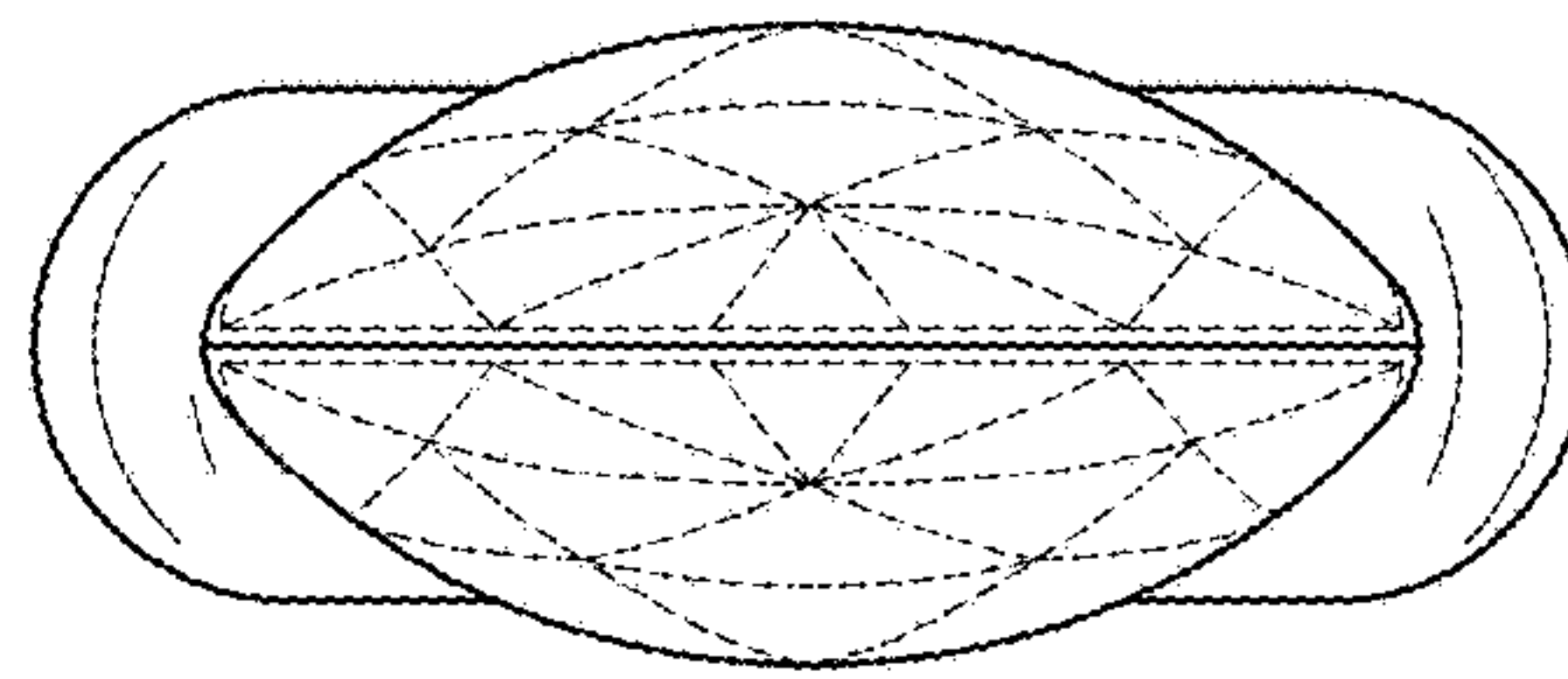


FIG. 4

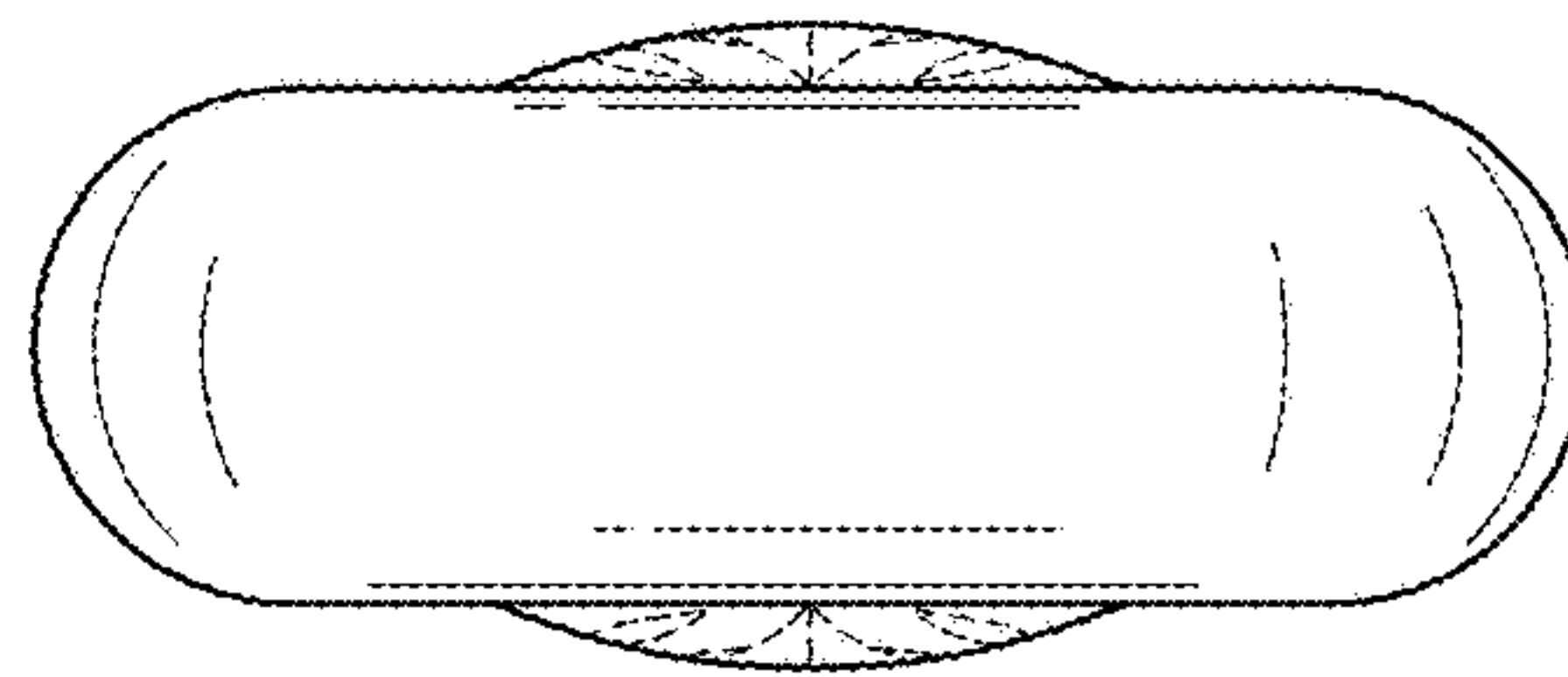


FIG. 5