



US00D857827S

(12) **United States Design Patent**
Dustin et al.

(10) **Patent No.:** **US D857,827 S**

(45) **Date of Patent:** **** Aug. 27, 2019**

(54) **FIN SHAPED SWIMMING DEVICE**

(71) Applicant: **Blue Springs Partners, LLC**, Idaho Falls, ID (US)

(72) Inventors: **Christine Dustin**, Idaho Falls, ID (US);
Jerry D. Skinner, Idaho Falls, ID (US)

(73) Assignee: **Blue Springs Partners, LLC**, Idaho Falls, ID (US)

(**) Term: **15 Years**

(21) Appl. No.: **29/626,505**

(22) Filed: **Nov. 17, 2017**

Related U.S. Application Data

(63) Continuation of application No. 29/586,189, filed on Dec. 1, 2016.

(51) **LOC (12) Cl.** **21-02**

(52) **U.S. Cl.**
USPC **D21/806**

(58) **Field of Classification Search**
USPC D21/542, 544, 547, 646, 760, 761, 762,
D21/764, 769, 770, 771, 778, 792, 801,
D21/803, 804, 805, 806, 807, 808, 810;
D12/301, 302, 303, 306, 310, 311, 312,
D12/313, 314, 316
CPC B63B 2035/715; B63B 35/7926; B63B
35/7906; A63B 31/04; A63B 31/08; A63B
31/10

See application file for complete search history.

(56) **References Cited**

U.S. PATENT DOCUMENTS

3,564,632 A 2/1971 Bahne
D220,137 S 3/1971 Kwiatkowski et al.
3,803,652 A 4/1974 Uyehara
D244,958 S 7/1977 Bleser
D245,532 S 8/1977 Taylor

5,015,208 A 5/1991 Fox et al.
5,055,075 A 10/1991 Waller et al.
5,273,472 A 12/1993 Skededeski et al.
D357,297 S 4/1995 Newton
5,951,347 A * 9/1999 Hudson B63B 35/7926
114/140
D418,568 S * 1/2000 Hudson D12/317
D428,956 S 8/2000 Harwell, IV
D429,305 S 8/2000 Harwell, IV
D429,515 S 8/2000 Harwell, IV

(Continued)

OTHER PUBLICATIONS

“Shark Fin for Swimming | Fin Fun Mermaid Tails” [online]. Fin Fun Mermaid. [Published on Nov. 29, 2016]. Retrieved from the Internet: <<https://www.youtube.com/watch?v=UvTK4pWOwZQ>>.*

(Continued)

Primary Examiner — Khawaja Anwar
Assistant Examiner — Mojtaba Tehrani

(74) *Attorney, Agent, or Firm* — Park, Vaughan, Fleming & Dowler LLP

(57) **CLAIM**

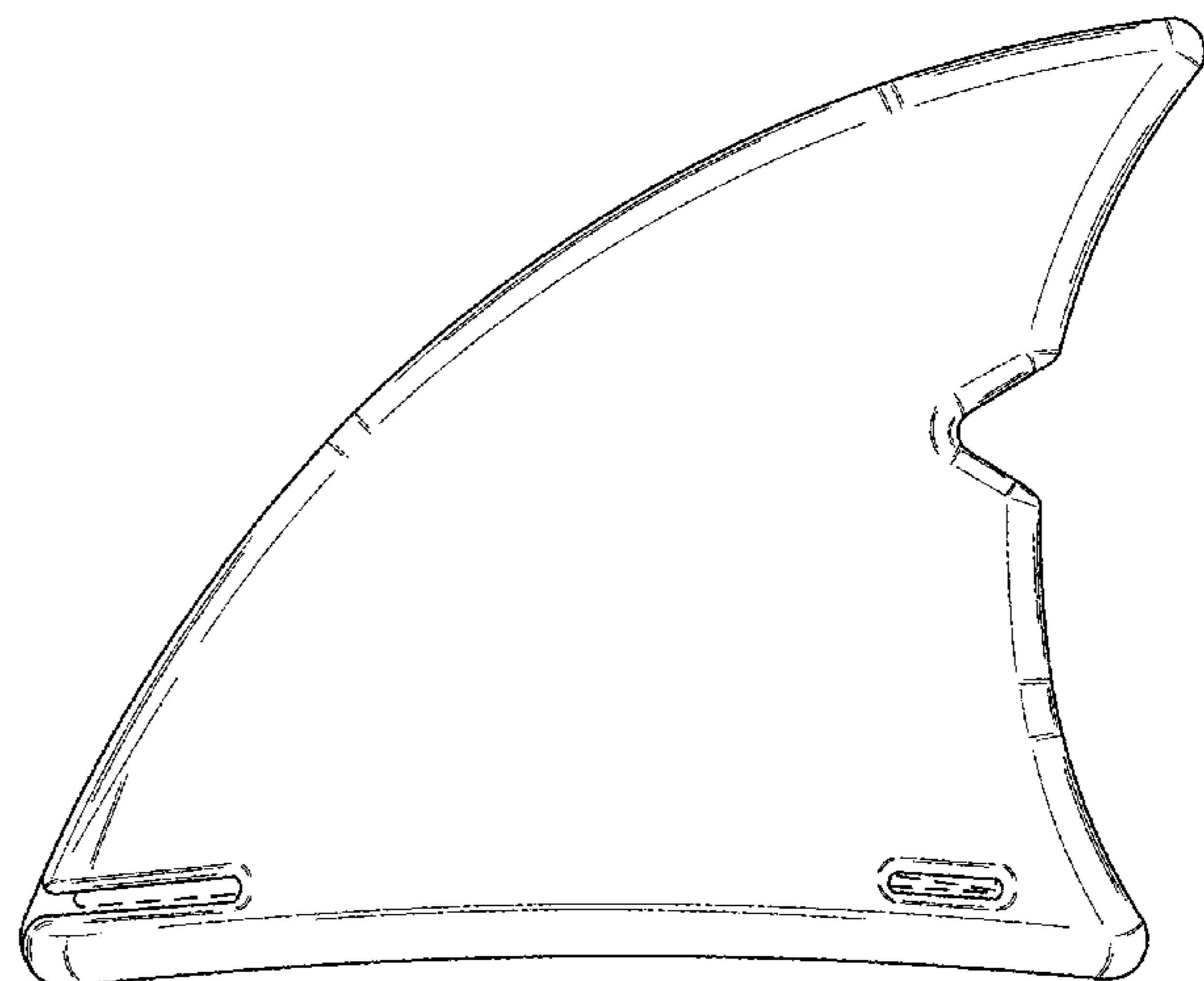
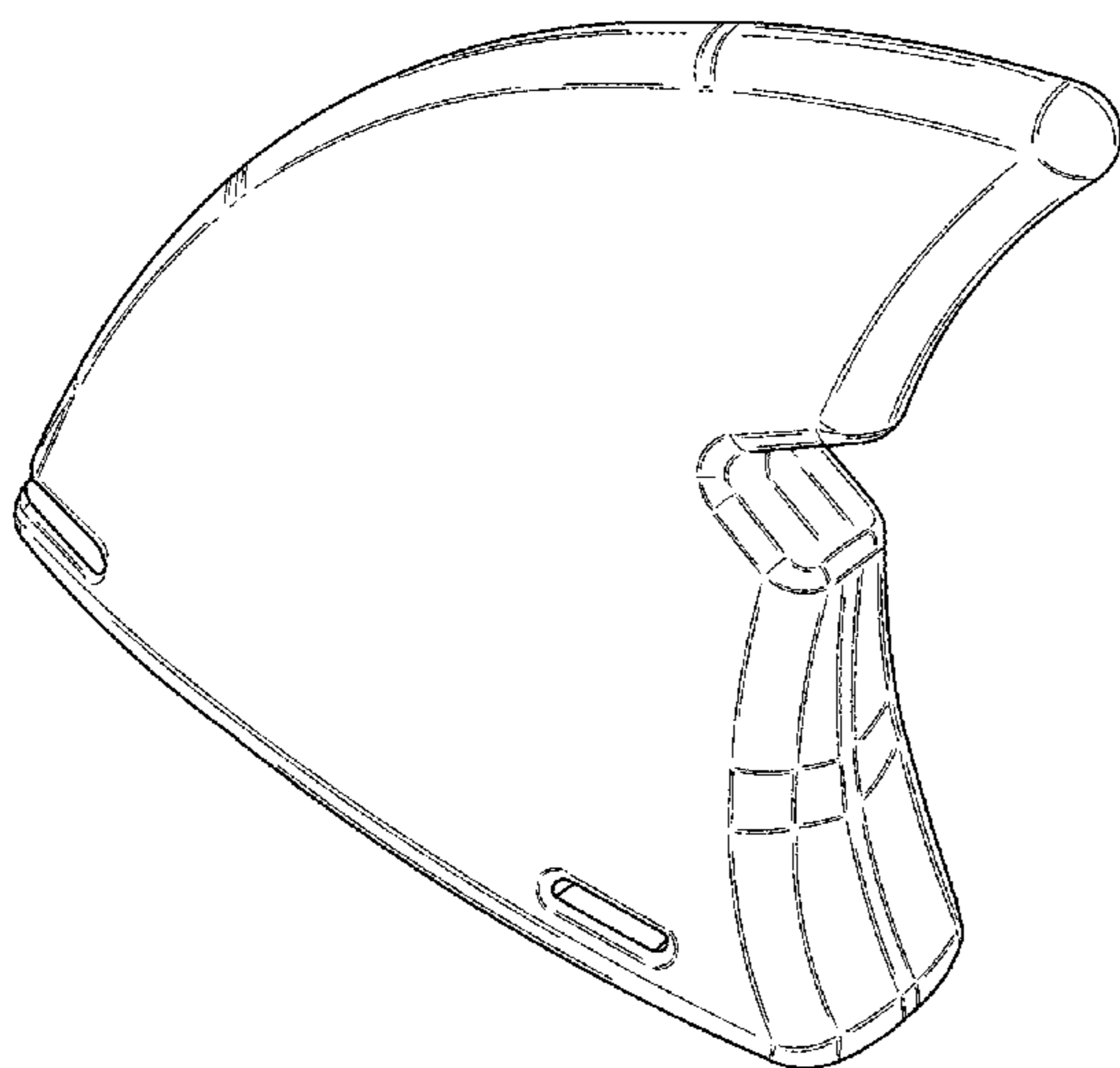
The ornamental design for a fin shaped swimming device, as shown and described.

DESCRIPTION

FIG. 1 is a top perspective view of a fin shaped swimming device, showing our new design;
FIG. 2 is a front view thereof;
FIG. 3 is a back view thereof;
FIG. 4 is a left side view thereof;
FIG. 5 is a right side view thereof;
FIG. 6 is a bottom view thereof; and,
FIG. 7 is a top view thereof.

The broken line in the figure drawings represents unclaimed portion of the design only, which forms no part of the claim thereof.

1 Claim, 3 Drawing Sheets



(56)

References Cited

U.S. PATENT DOCUMENTS

D430,287 S 8/2000 Harwell, IV
 D433,090 S 10/2000 Harwell, IV et al.
 D437,021 S 1/2001 Harwell, IV et al.
 D437,638 S 2/2001 Harwell, IV
 6,309,270 B1 10/2001 Harwell, IV et al.
 6,322,413 B1* 11/2001 Webber B63B 35/7926
 441/79
 D461,871 S 8/2002 Flowers
 6,695,662 B2* 2/2004 Kelley B63B 35/793
 D491,558 S 6/2004 Wray
 D494,652 S 8/2004 Otto
 D497,965 S 11/2004 Barbis
 D548,804 S 8/2007 D'Ambrosio
 D576,243 S 9/2008 Moseley
 D595,629 S 7/2009 Blumish
 D626,484 S 11/2010 Striker
 D633,972 S* 3/2011 Etersque D21/778
 D638,085 S 5/2011 Barbis
 D650,033 S 12/2011 Barbis
 D660,393 S 5/2012 Bradley
 D663,003 S 7/2012 Barbis
 D667,911 S 9/2012 Barbis
 D678,448 S 3/2013 Barbis

D710,778 S 8/2014 Murphy
 D714,201 S 9/2014 Ogawa
 9,248,892 B1 2/2016 Young
 D751,161 S 3/2016 Beach-Drummond
 D785,289 S 5/2017 Grefe
 D788,869 S 6/2017 Osimo
 2005/0272326 A1* 12/2005 Hopper B63B 35/7926
 441/79
 2016/0144933 A1* 5/2016 Kumano B63B 35/7926
 441/79
 2016/0355236 A1* 12/2016 Liu B63B 35/793
 441/74
 2018/0265174 A1* 9/2018 Miller B63B 35/7926

OTHER PUBLICATIONS

“Fin Fun Shark Fin for Swimming and Costume” [online]. Fin Fun. [Earliest product review date of Feb. 7, 2017]. Retrieved from the Internet: <<https://www.amazon.com/dp/B0748KCTR3>>.*
 Universal Shark Fin Shaped Car Roof Mounting Decorative Antenna (Black), available at <http://www.buysku.com/wholesale/univerisal-shark-fin-shaped-car-roof-mounting-decorative-antenna-black.html>. downloaded Apr. 2017.
 Photos of prior shark fin design by Fin Fun, photos taken Dec. 2013.

* cited by examiner

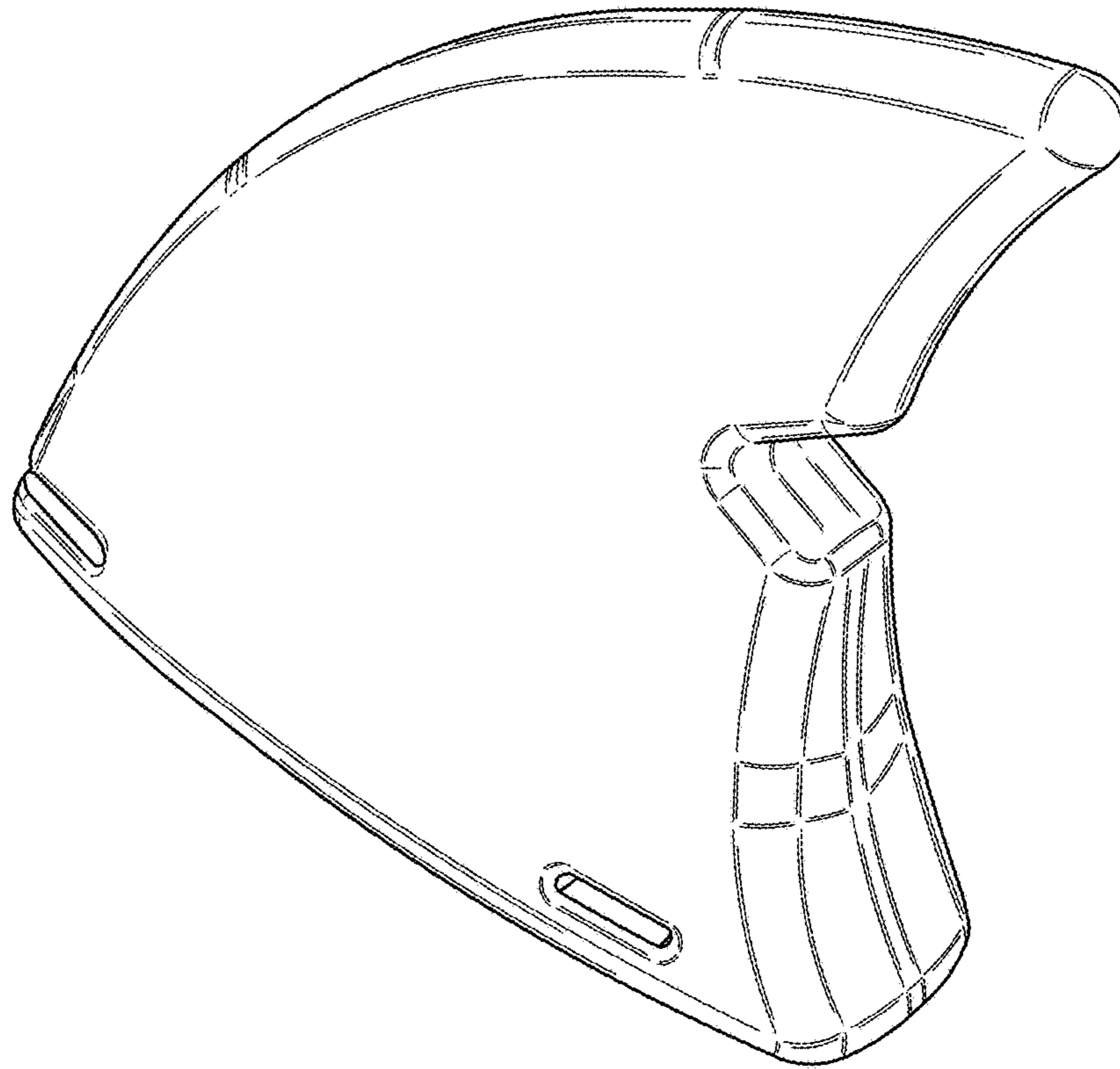


FIG. 1

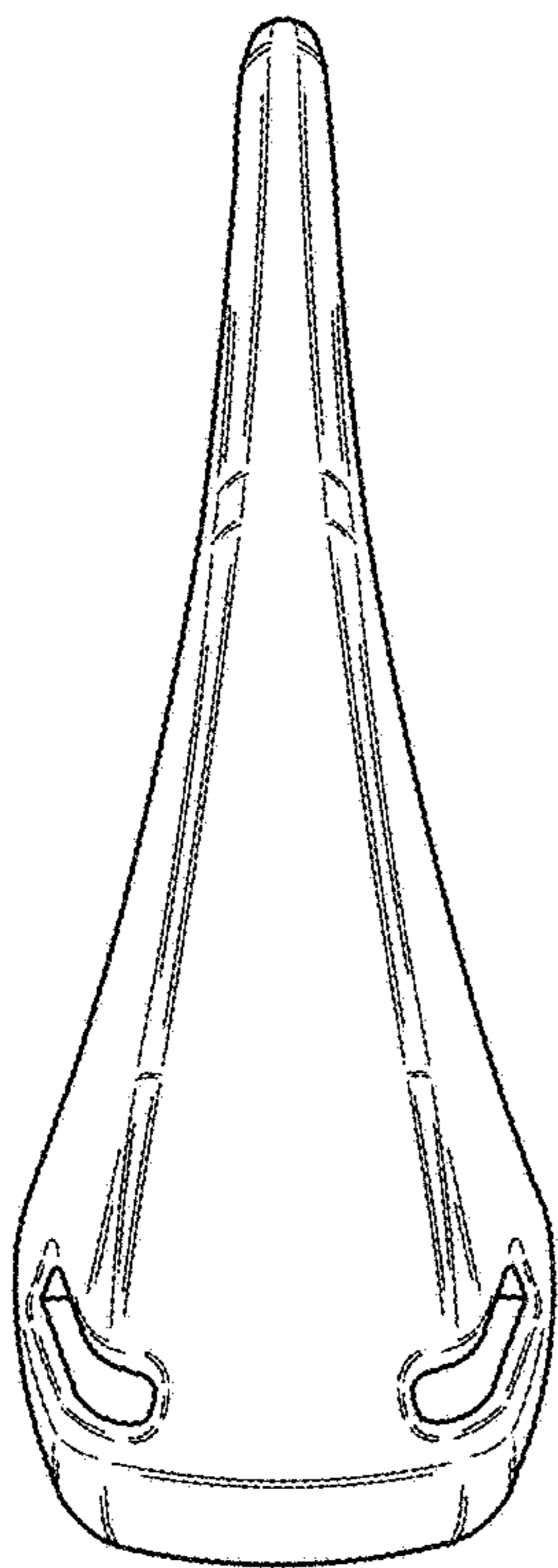


FIG. 2

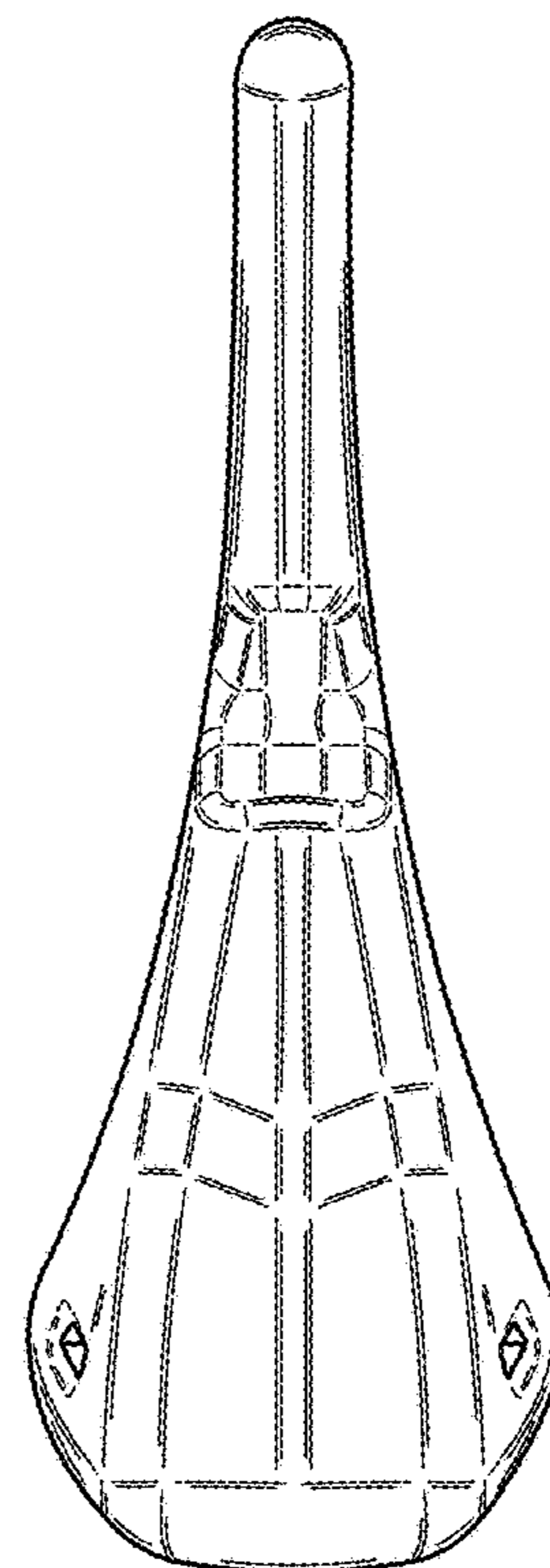


FIG. 3

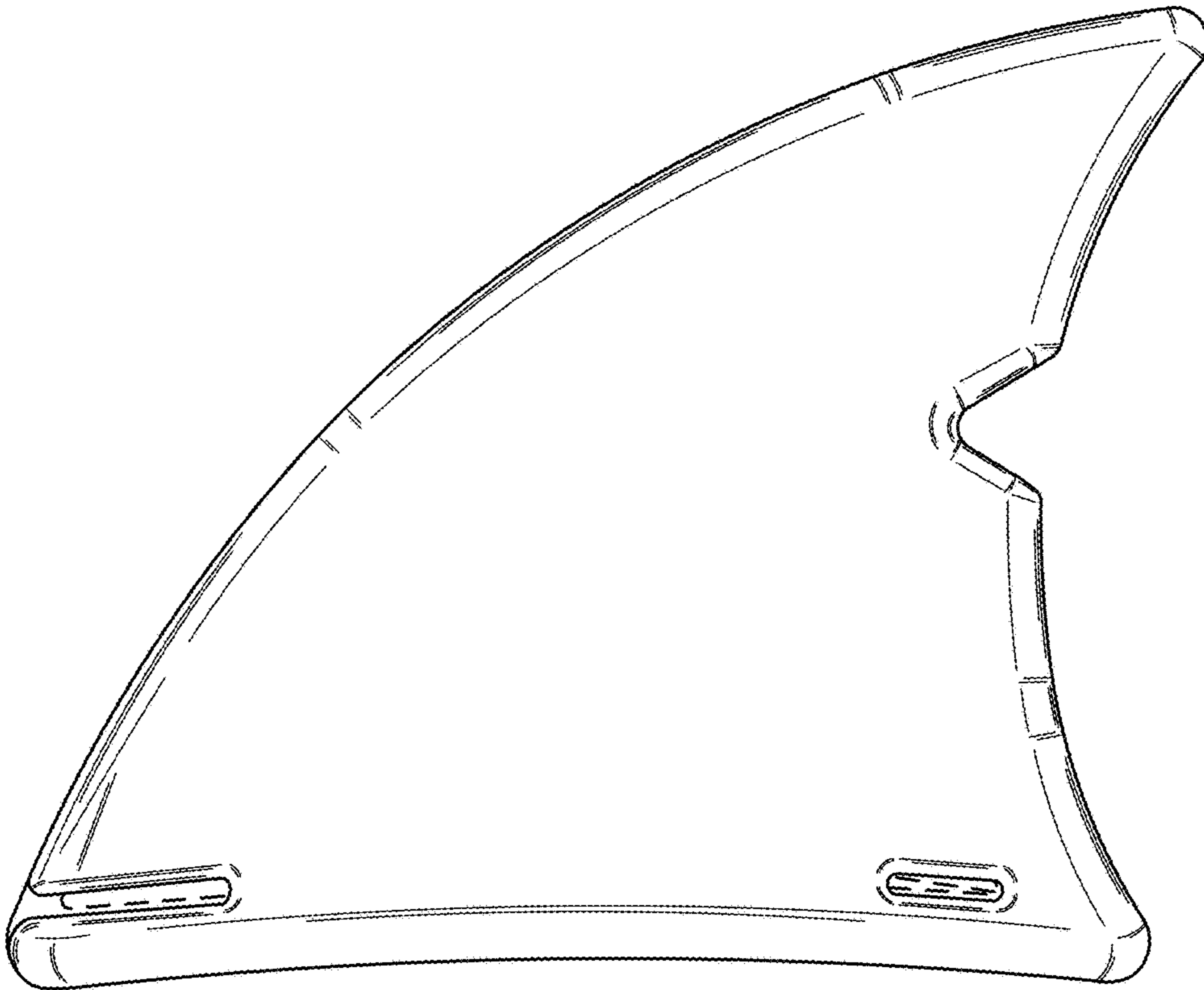


FIG. 4

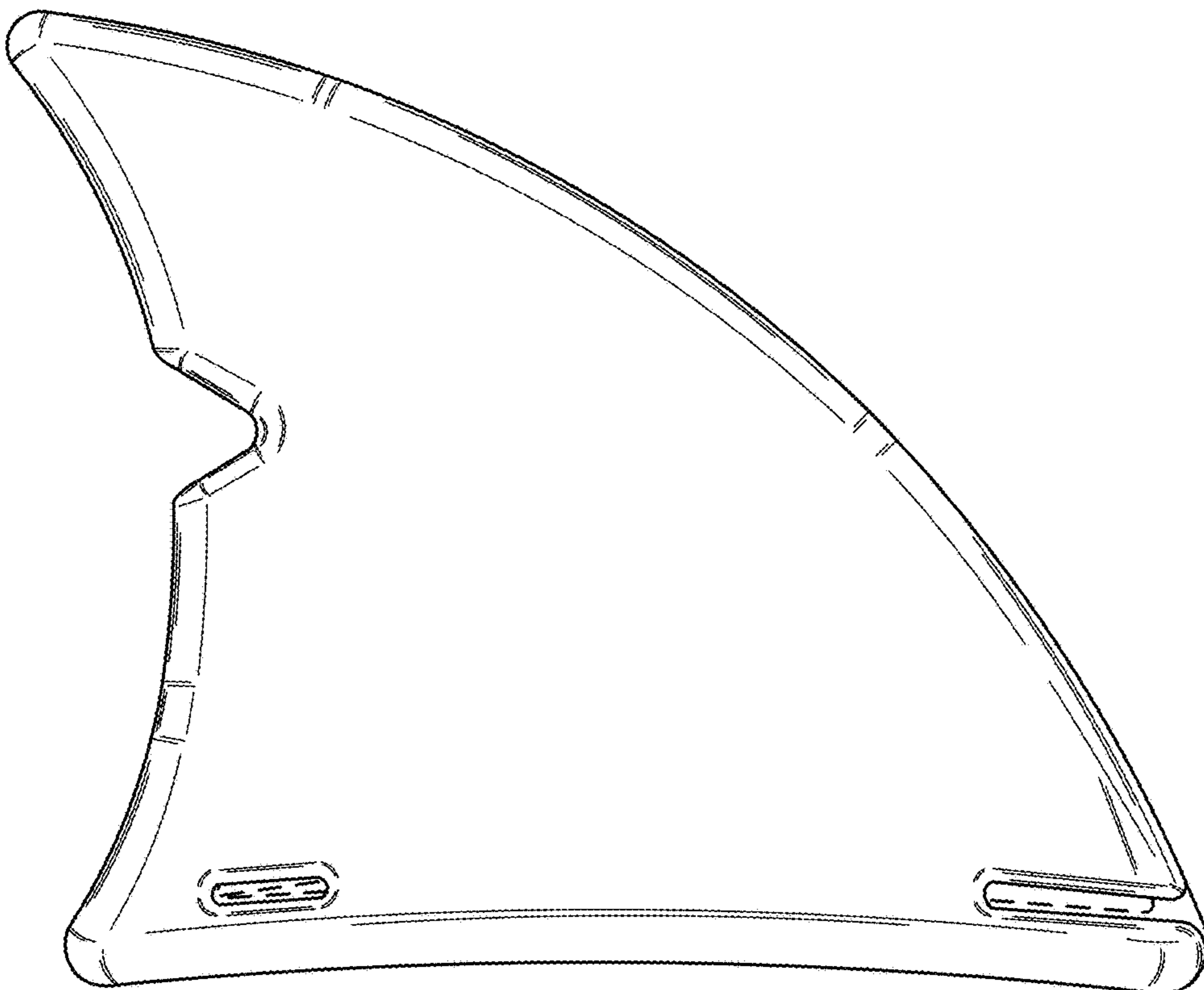


FIG. 5

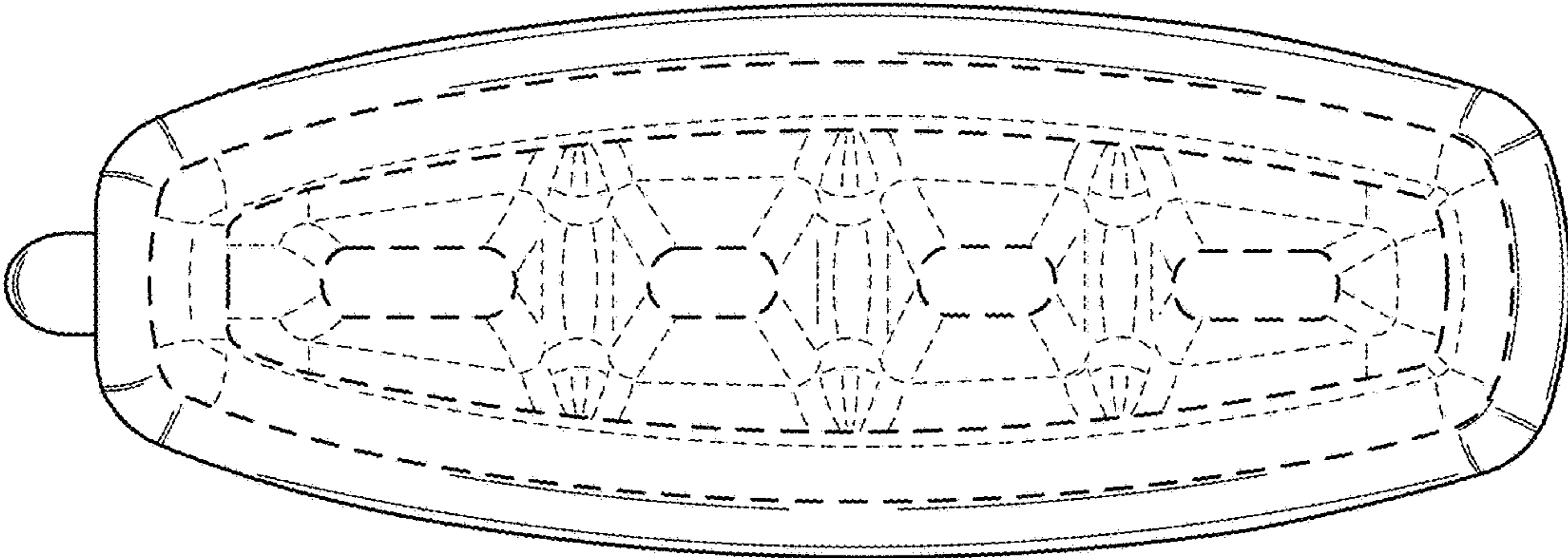


FIG. 6

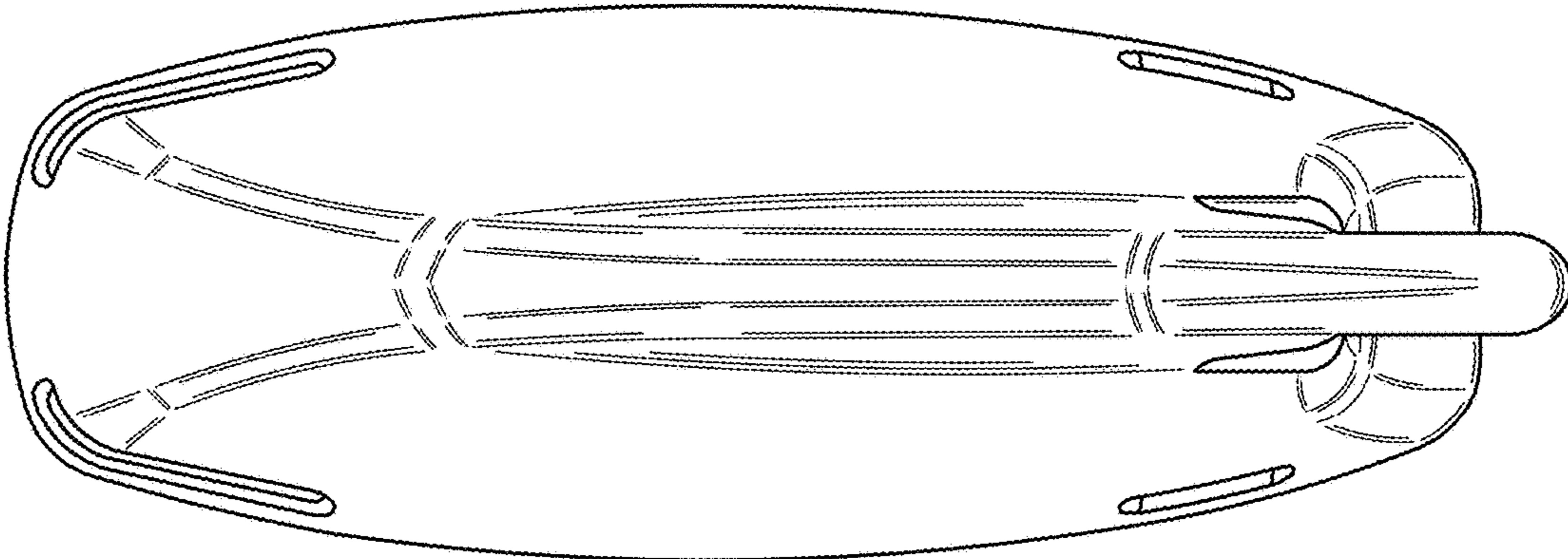


FIG. 7