



US00D857825S

(12) **United States Design Patent**
Pang

(10) **Patent No.:** **US D857,825 S**

(45) **Date of Patent:** **** Aug. 27, 2019**

(54) **SURFBOARD LEASH**
(71) Applicant: **Hongjian Pang**, Guangdong (CN)
(72) Inventor: **Hongjian Pang**, Guangdong (CN)
(73) Assignee: **Guangzhou Dingliu Supply chain management limited liability company**, Guangzhou, Guangdong (CN)

(**) Term: **15 Years**

(21) Appl. No.: **29/633,715**

(22) Filed: **Jan. 15, 2018**

(51) **LOC (12) Cl.** **21-02**

(52) **U.S. Cl.**
USPC **D21/774**

(58) **Field of Classification Search**
USPC D21/684-685, 760-761, 765-766,
D21/768-777; D3/215, 327; D28/41
CPC B63B 35/7936; B63B 35/7933; B63B
35/794
See application file for complete search history.

(56) **References Cited**

U.S. PATENT DOCUMENTS

4,610,634 A * 9/1986 Kimura B63B 35/7933
441/75

4,775,345 A * 10/1988 Gifford B63B 35/7936
36/114
D303,278 S * 9/1989 Nealy D21/774
5,362,270 A * 11/1994 Hanson B63B 35/7946
114/39.19
D677,354 S * 3/2013 Nolan D21/774

* cited by examiner

Primary Examiner — Zenia I Bennett

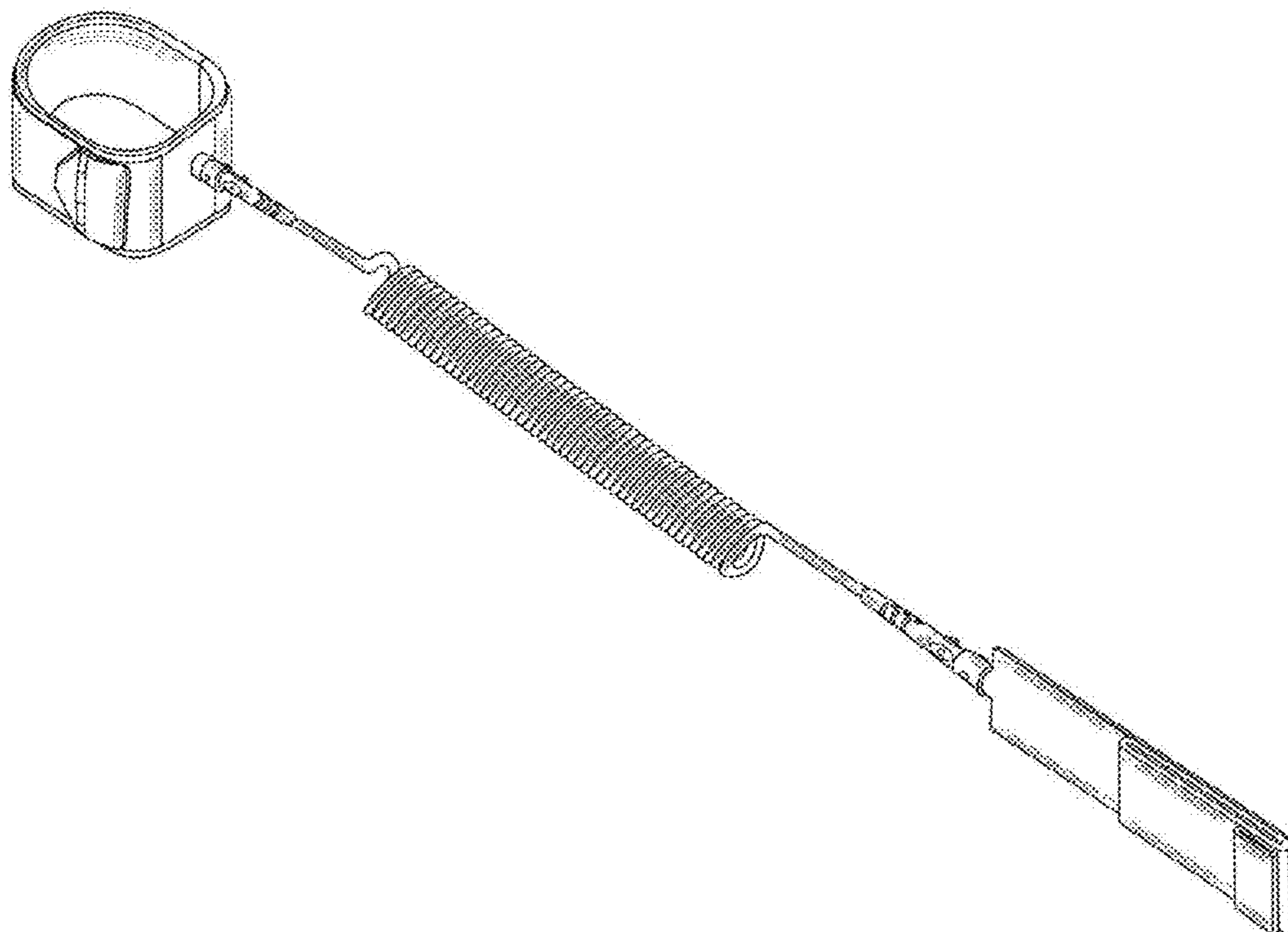
(57) **CLAIM**

The ornamental design for a surfboard leash, as shown and described.

DESCRIPTION

FIG. 1 is a perspective view of a surfboard leash showing my new design;
FIG. 2 is a front elevational view thereof;
FIG. 3 is a rear elevational view thereof;
FIG. 4 is a left side elevational view thereof;
FIG. 5 is a right side elevational view thereof;
FIG. 6 is a top plan view thereof; and,
FIG. 7 is a bottom plan view thereof.

1 Claim, 7 Drawing Sheets



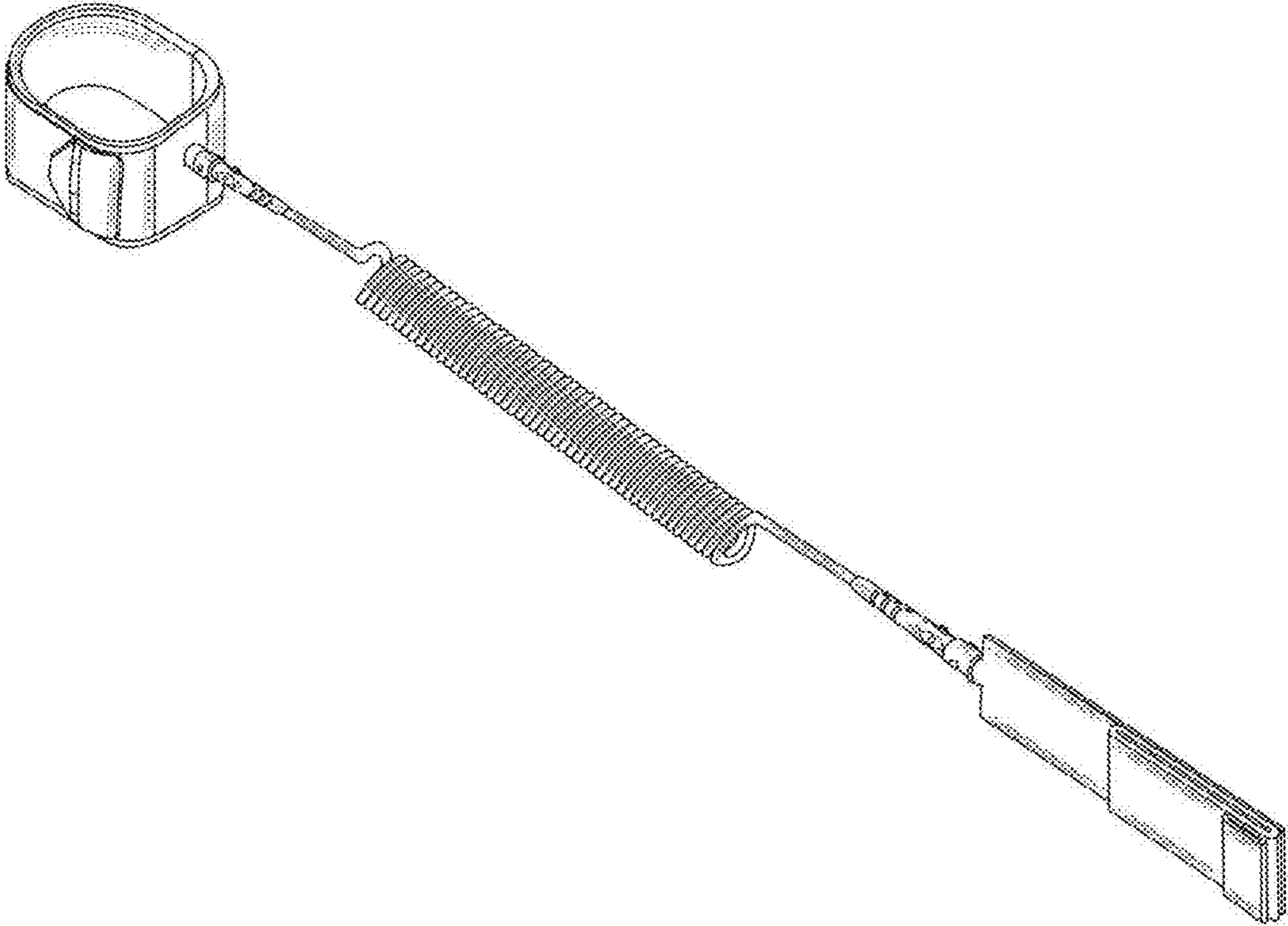


FIG.1

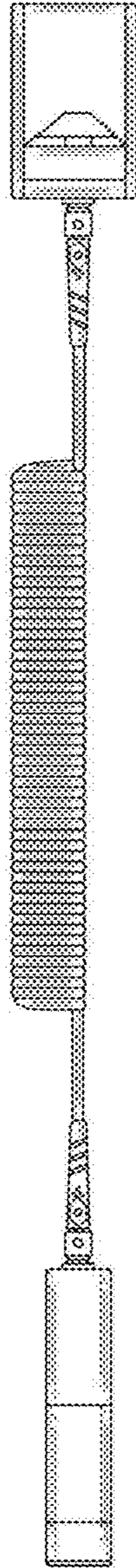


FIG.2

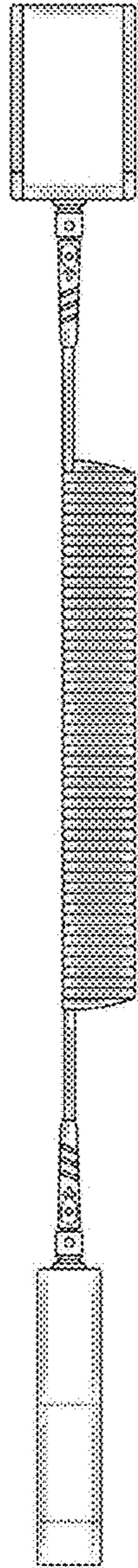


FIG.3

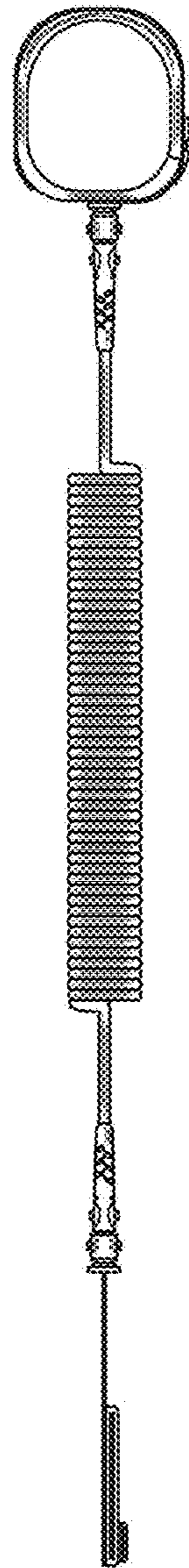


FIG.4

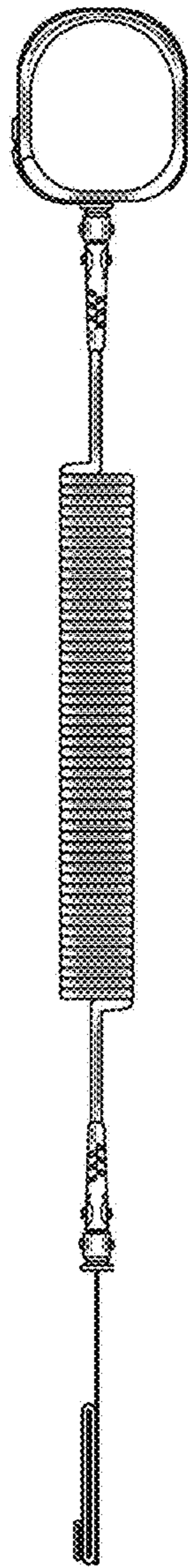


FIG.5

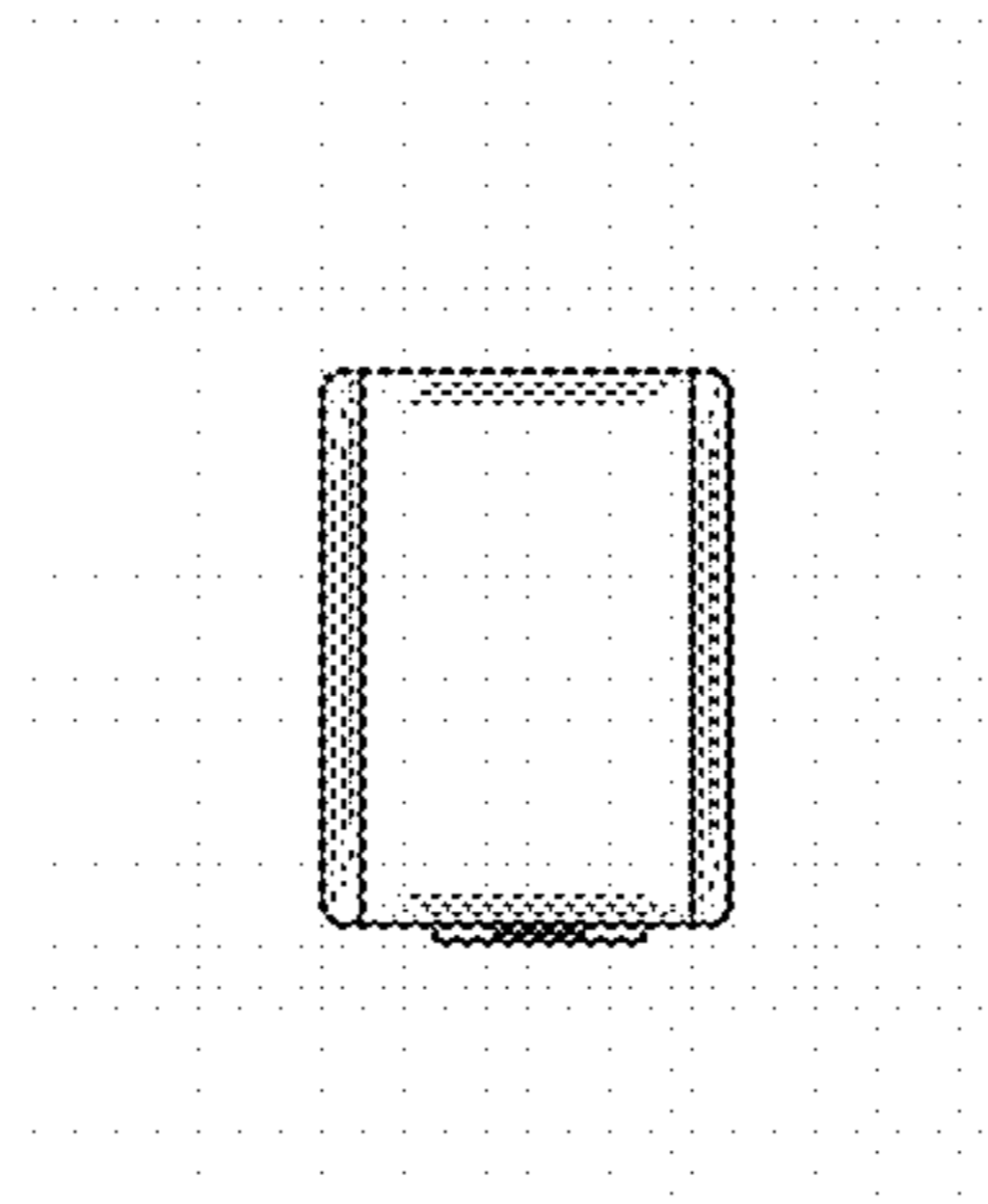


FIG.6

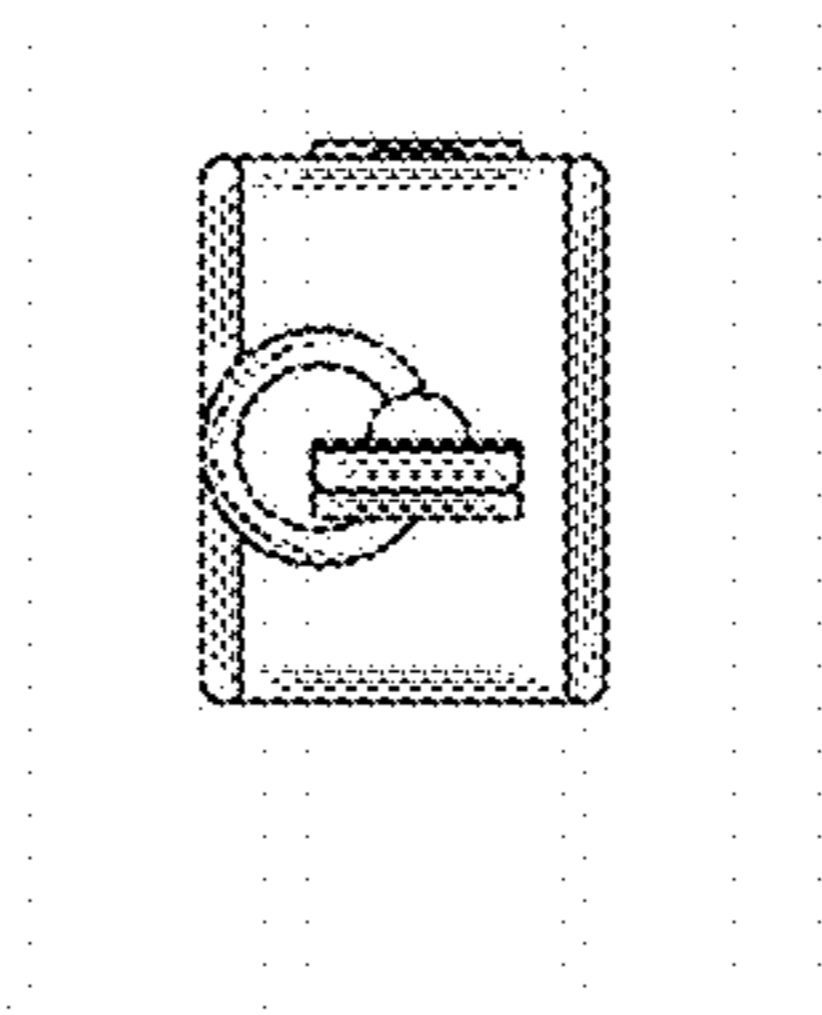


FIG. 7