



US00D857823S

(12) **United States Design Patent** (10) **Patent No.:** **US D857,823 S**
Schmidt (45) **Date of Patent:** **** Aug. 27, 2019**

(54) **VENTED DRIVER HEAD**
(71) Applicant: **Bradley Schmidt**, Hastings, NE (US)
(72) Inventor: **Bradley Schmidt**, Hastings, NE (US)
(**) Term: **15 Years**
(21) Appl. No.: **29/648,344**
(22) Filed: **May 21, 2018**
(51) **LOC (12) Cl.** **21-02**
(52) **U.S. Cl.**
USPC **D21/752**
(58) **Field of Classification Search**
USPC D21/733, 752, 759
CPC A63B 53/00; A63B 53/04; A63B 53/0466;
A63B 2053/002; A63B 2053/0445; A63B
2053/0433; A63B 2053/0491; A63B
2053/0437; A63B 60/00; A63B 60/46
See application file for complete search history.

5,772,529 A 6/1998 Ruth, Jr.
D397,750 S * 9/1998 Frazetta D21/733
5,807,187 A * 9/1998 Hamm A63B 53/04
473/327
D399,898 S * 10/1998 Stone D21/733
5,913,709 A * 6/1999 Cyr A63B 53/00
446/418
5,944,614 A * 8/1999 Yoon A63B 53/04
473/224

(Continued)

OTHER PUBLICATIONS

Is the Time Right for Non-conforming Golf Clubs? Article [online]. Mike Stachura. Golf Digest. [published on Feb. 16, 2016; retrieved on Feb. 1, 2018]. Retrieved from the Internet: <URL: https://www.golfdigest.com/story/is-the-time-right-for-non-conforming-golf-clubs>.

Primary Examiner — Mitchell I. Siegel
(74) *Attorney, Agent, or Firm* — Cramer Patent & Design, PLLC; Aaron R. Cramer

(56) **References Cited**

U.S. PATENT DOCUMENTS

780,776 A 1/1905 Brown
3,468,544 A * 9/1969 Antonious A63B 53/04
473/327
3,794,328 A * 2/1974 Gordon A63B 53/04
473/327
D285,231 S * 8/1986 Solomon D21/733
4,809,982 A * 3/1989 Kobayashi A63B 53/04
473/327
5,158,296 A * 10/1992 Lee A63B 53/04
473/327
5,271,622 A * 12/1993 Rogerson A63B 53/04
473/234
D353,176 S * 12/1994 Poggi D21/733
D356,130 S * 3/1995 Schield D21/733
D366,508 S * 1/1996 Hutin D21/752
5,524,890 A * 6/1996 Kim A63B 53/04
473/242
5,529,303 A * 6/1996 Chen A63B 53/04
473/327

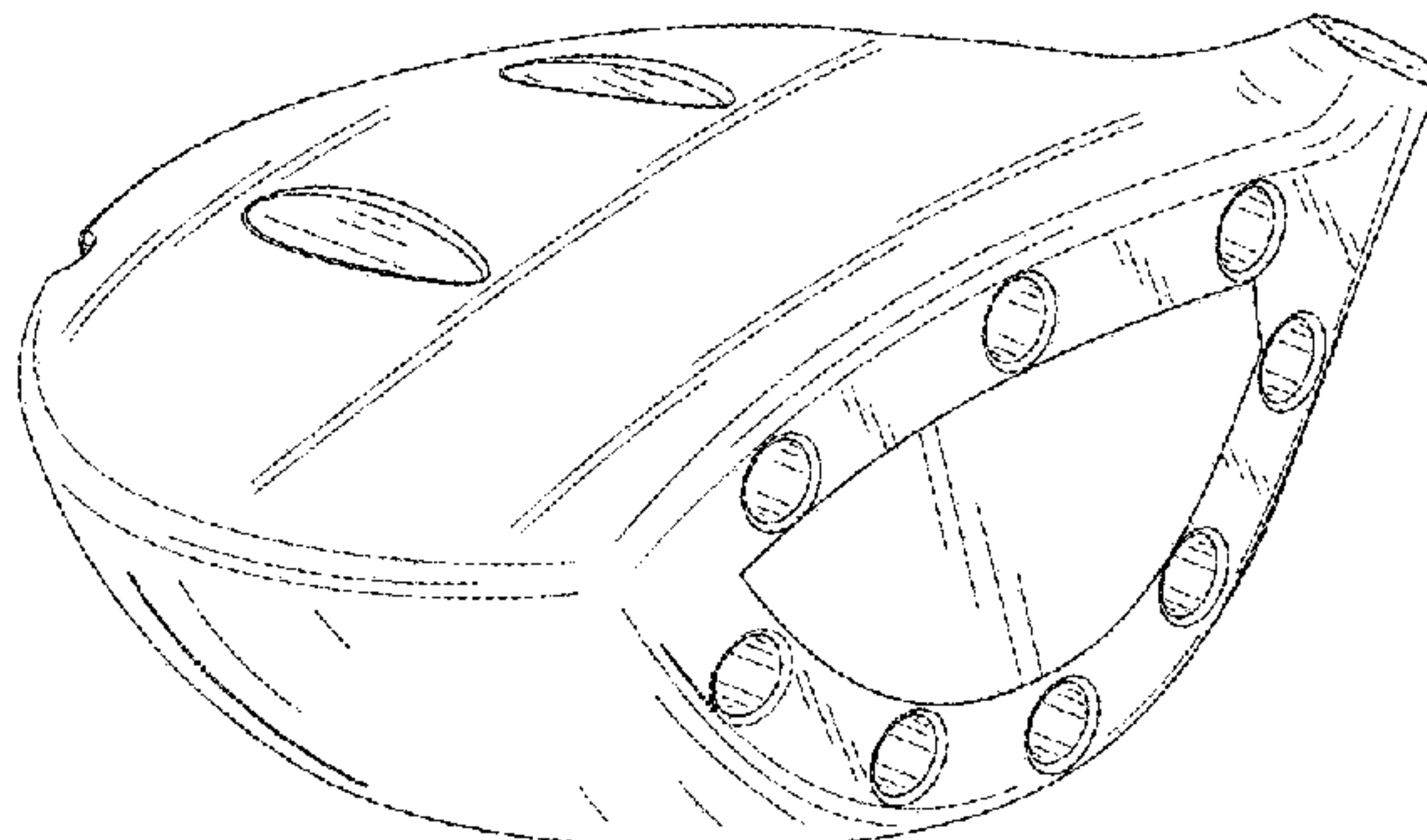
(57) **CLAIM**

The ornamental design for a vented driver head, as shown and described.

DESCRIPTION

FIG. 1 is a perspective top front right view of a vented driver head, showing my new design;
FIG. 2 is a perspective top rear left view thereof;
FIG. 3 is a front elevation view thereof;
FIG. 4 is a rear elevation view thereof;
FIG. 5 is a right elevation view thereof;
FIG. 6 is a left elevation view thereof;
FIG. 7 is a top plan view thereof; and,
FIG. 8 is a bottom plan view thereof.
The broken lines shown on the drawings are included for the purpose of illustrating unclaimed subject matter and forms no part of the claimed design.

1 Claim, 8 Drawing Sheets



(56)

References Cited

U.S. PATENT DOCUMENTS

6,165,080 A * 12/2000 Salisbury A63B 53/04
473/327
6,824,474 B1 * 11/2004 Thill A63B 53/0466
473/327
7,169,063 B2 * 1/2007 Tuttle A63B 53/02
473/345
D574,044 S * 7/2008 Dussich D21/733
8,651,973 B2 * 2/2014 Okot A63B 53/0466
473/317
8,651,974 B2 * 2/2014 Guerriero A63B 60/50
473/327
8,690,704 B2 * 4/2014 Thomas A63B 53/0466
473/327
2006/0276263 A1 12/2006 Lin et al.
2007/0093315 A1 4/2007 Kang

* cited by examiner

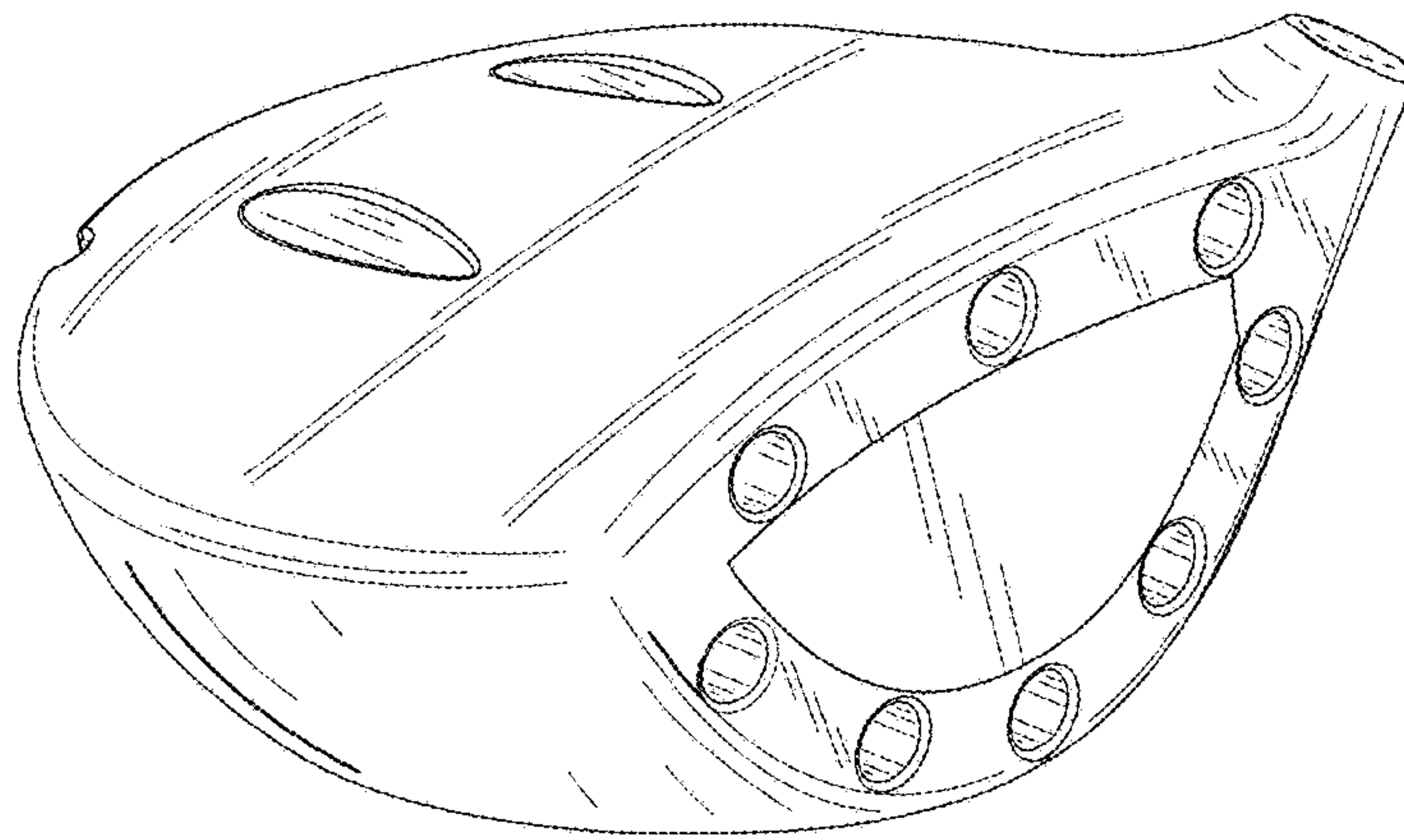


FIG. 1

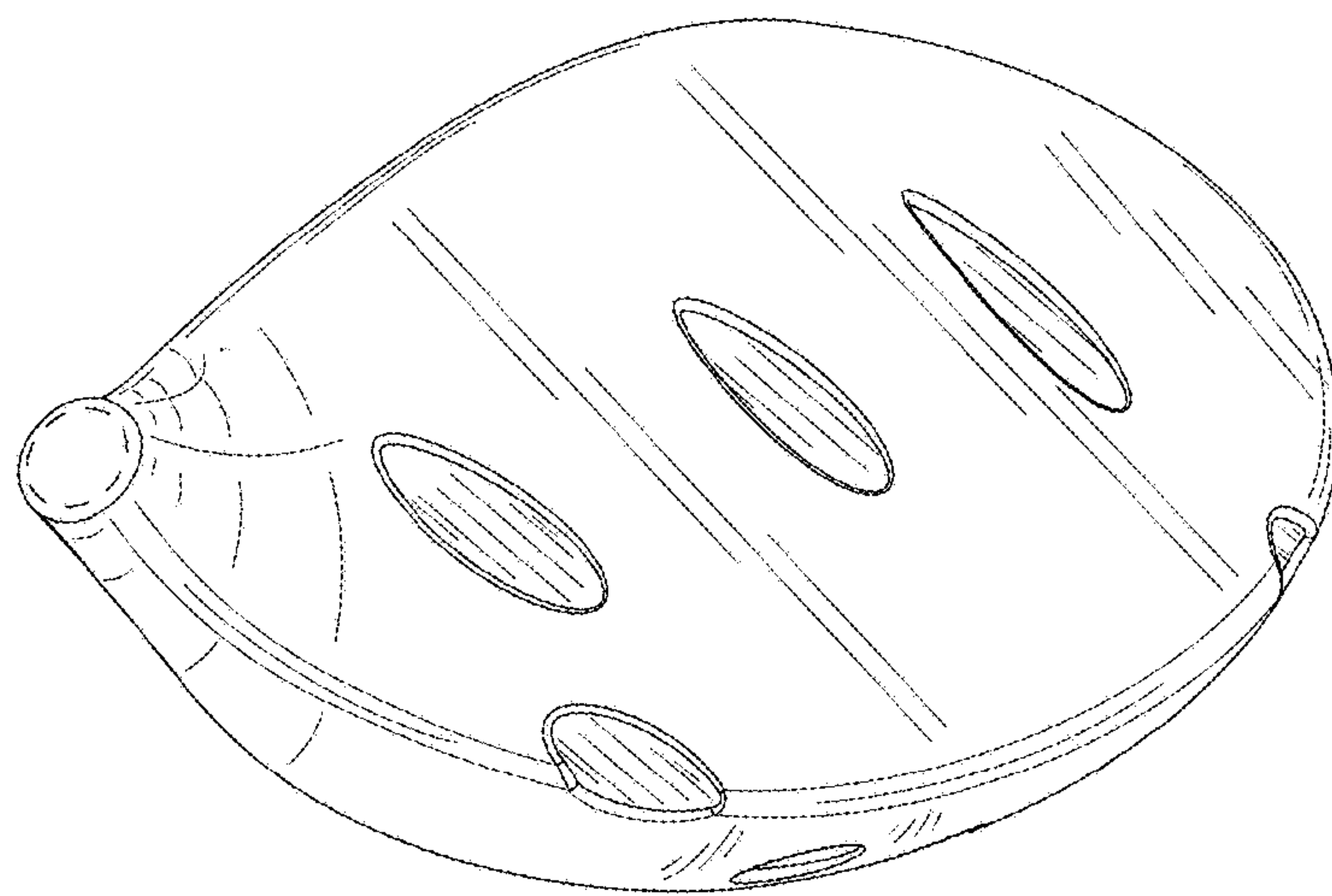


FIG. 2

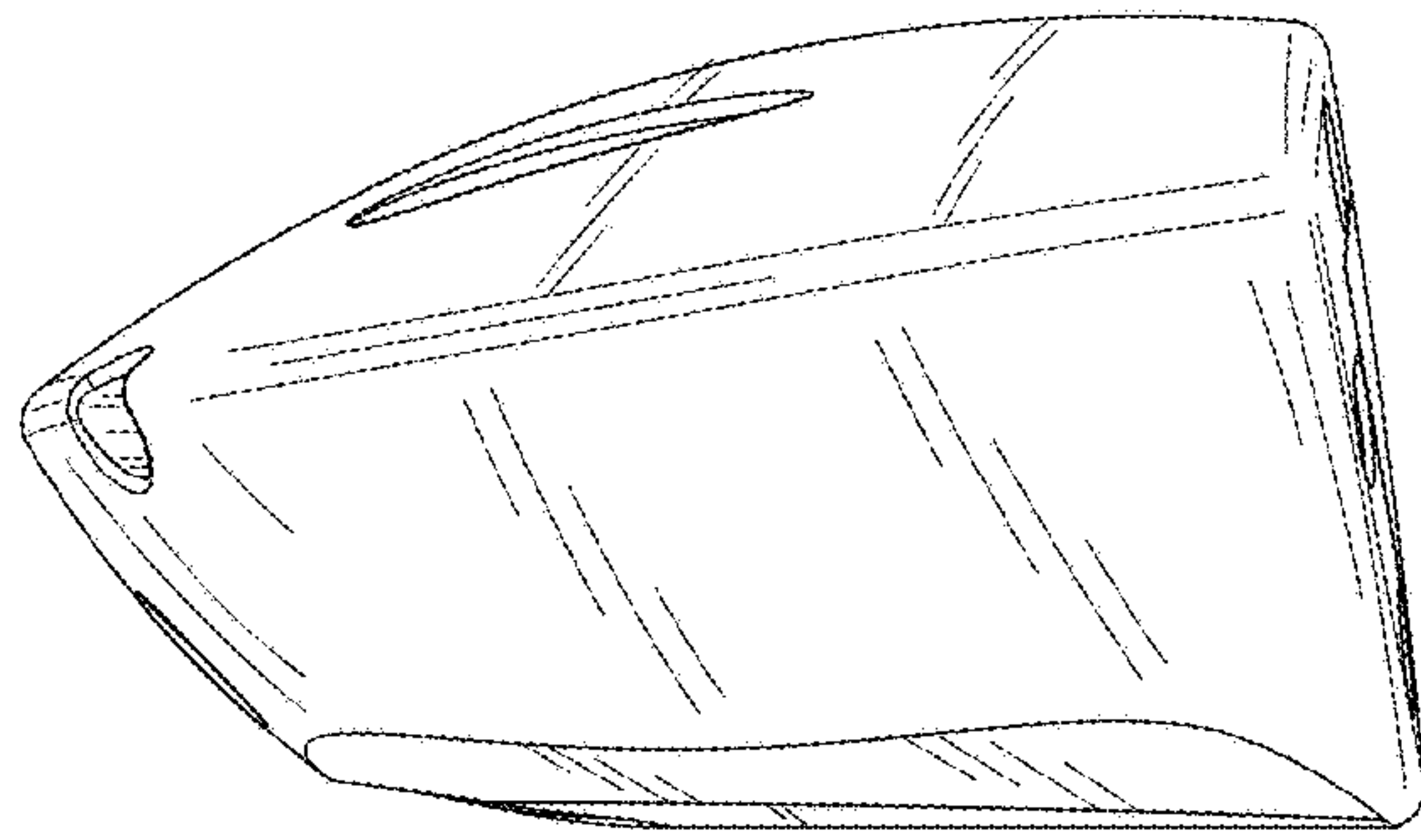


FIG. 3

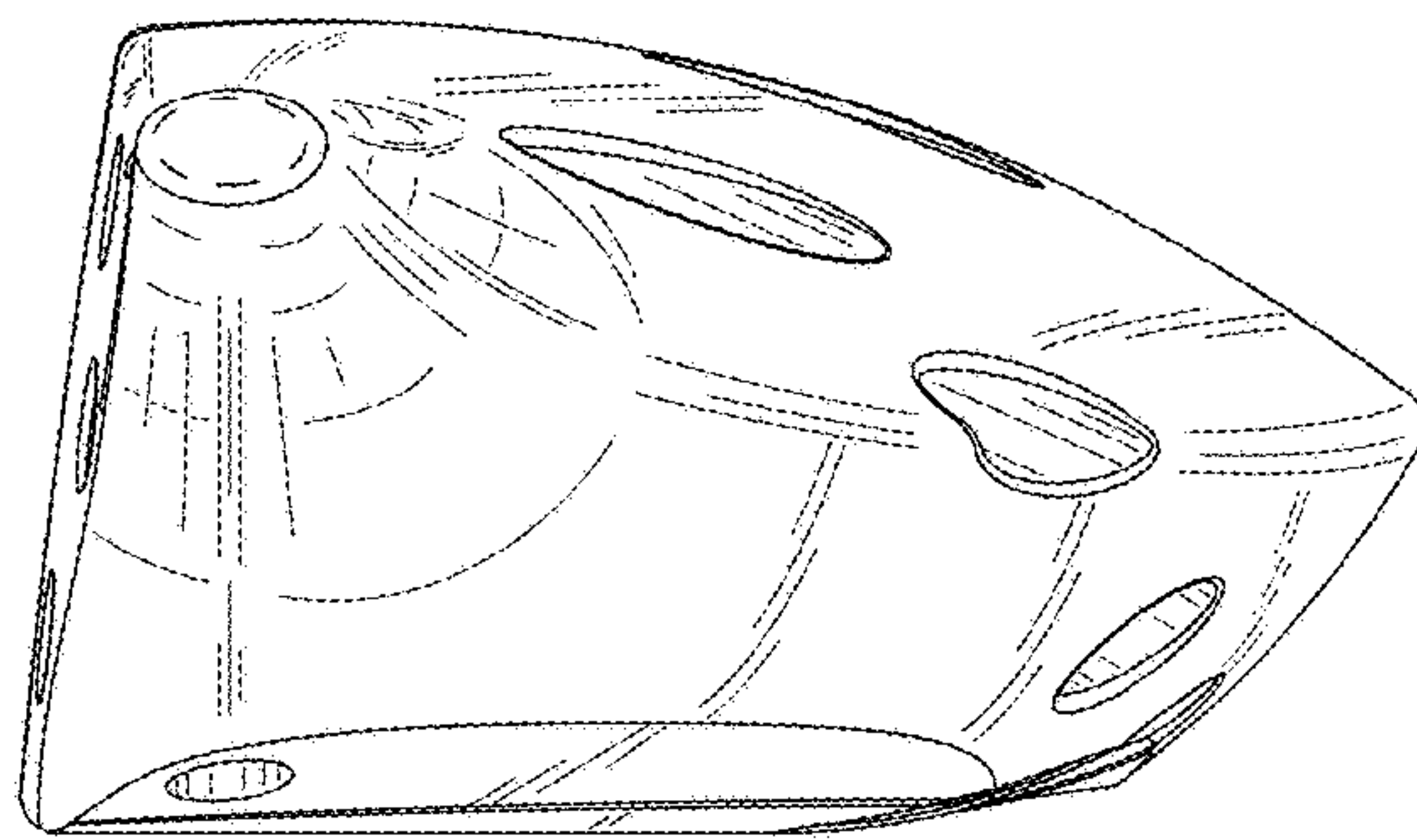


FIG. 4

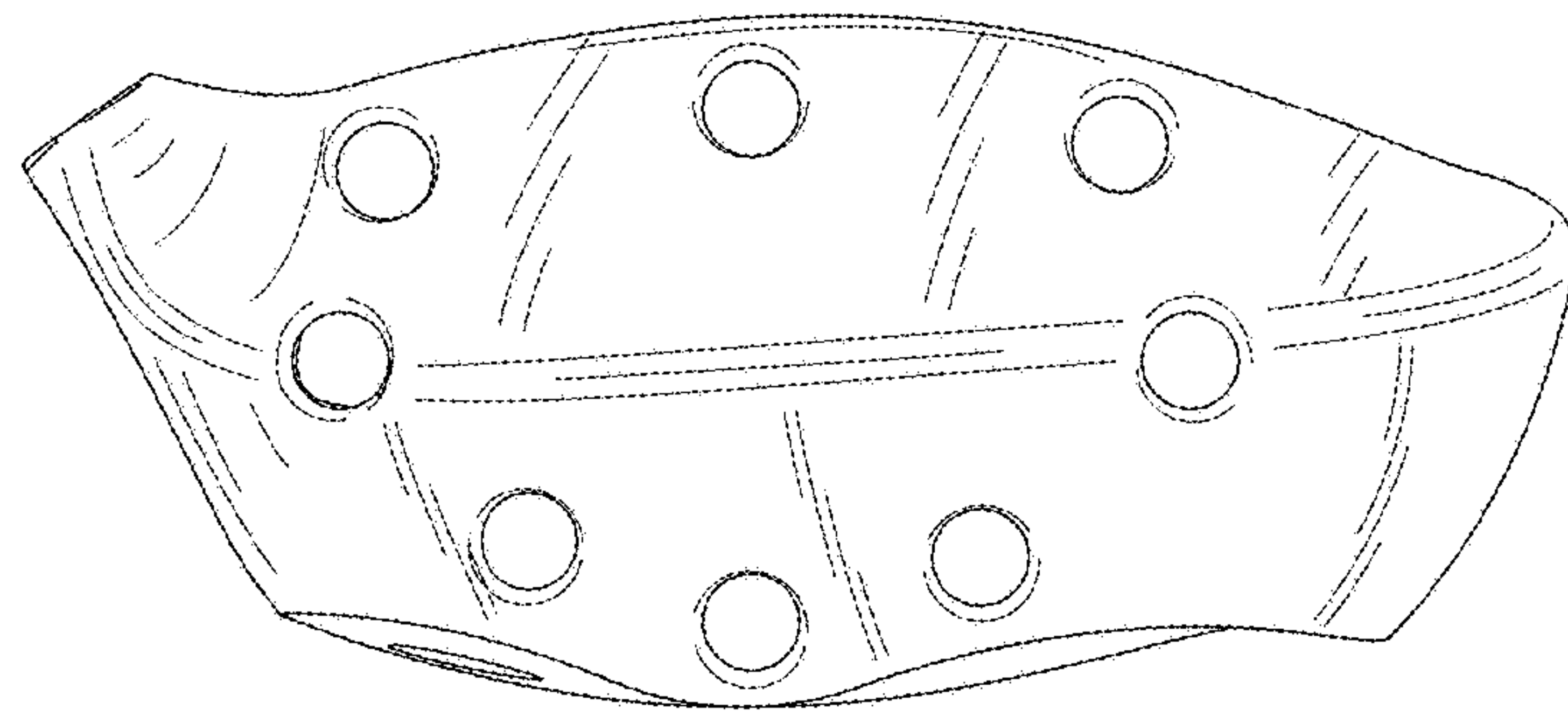


FIG. 5

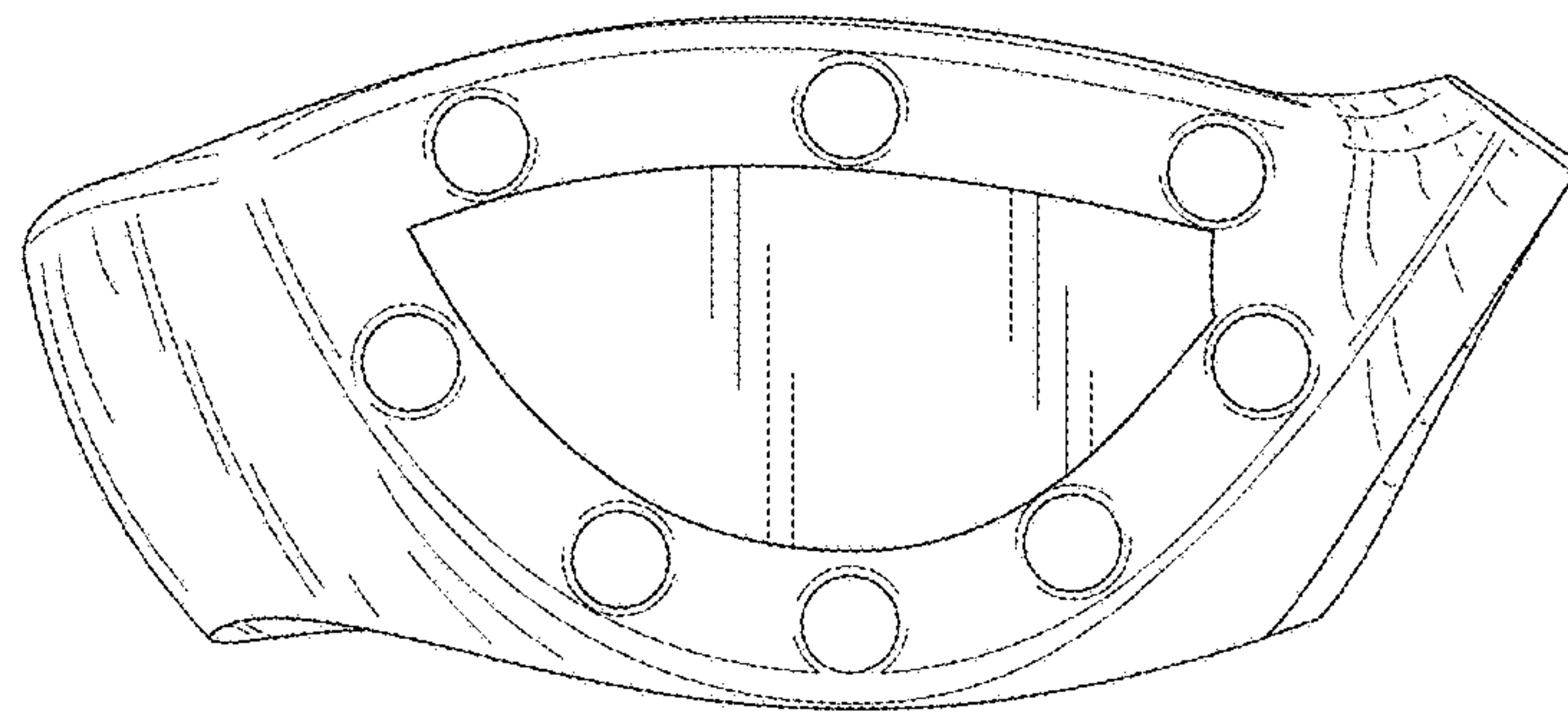


FIG. 6

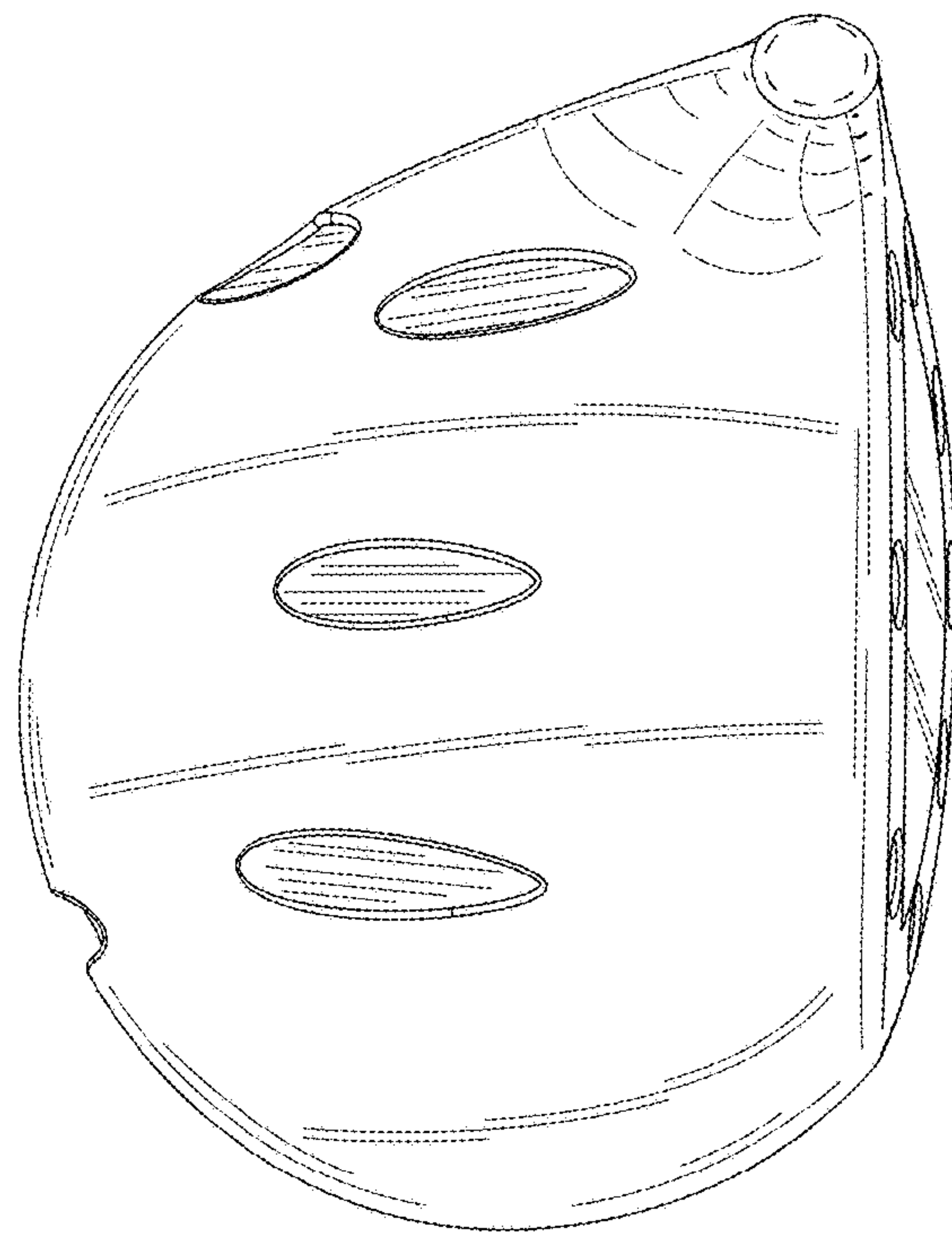


FIG. 7

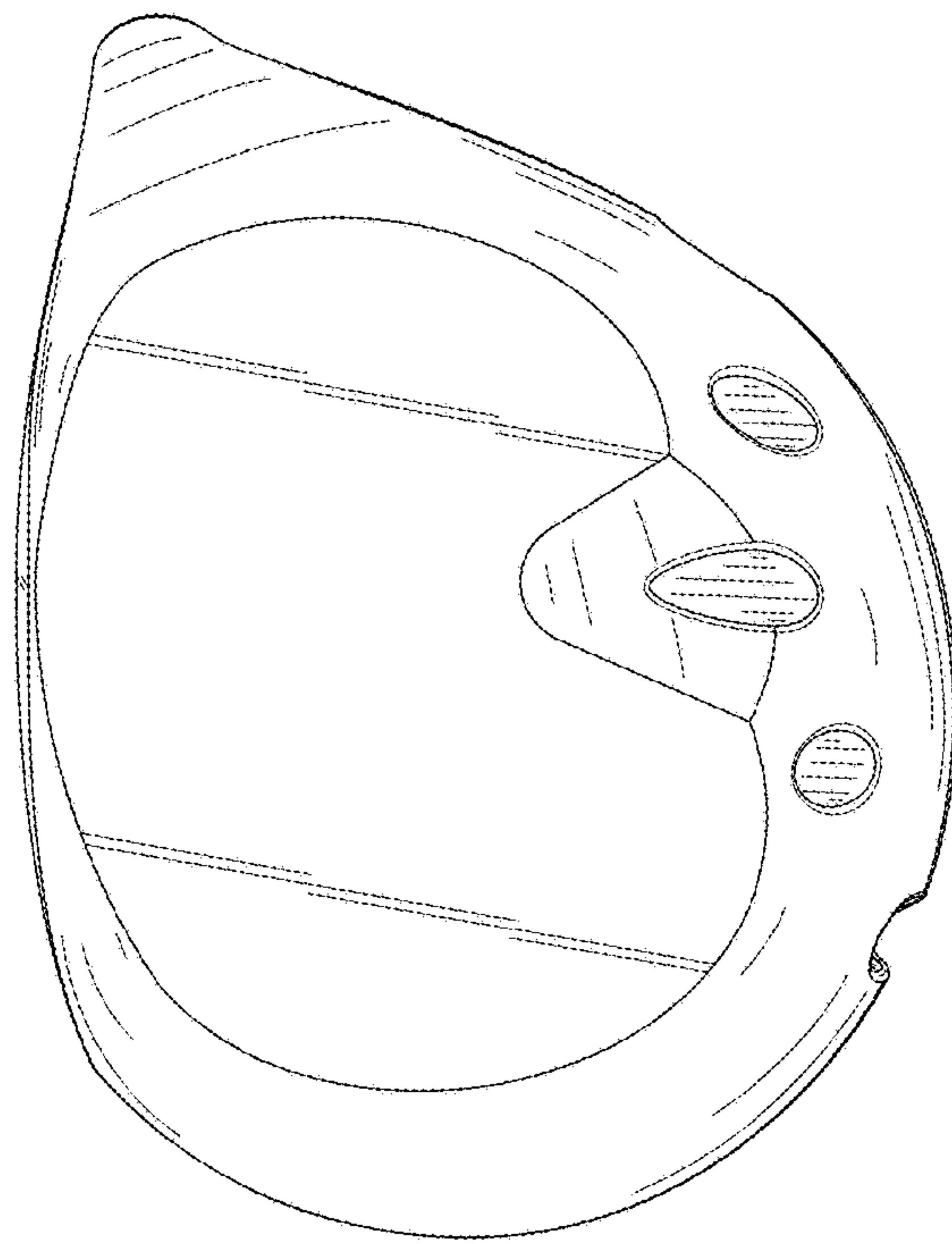


FIG. 8