



US00D857819S

(12) **United States Design Patent**
Wang et al.

(10) **Patent No.:** **US D857,819 S**
(45) **Date of Patent:** **** Aug. 27, 2019**

(54) **GOLF CLUB HEAD**

(71) Applicant: **Karsten Manufacturing Corporation**,
Phoenix, AZ (US)

(72) Inventors: **Calvin S. Wang**, Chandler, AZ (US);
David A. Higdon, Cave Creek, AZ
(US)

(73) Assignee: **Karsten Manufacturing Corporation**,
Phoenix, AZ (US)

(**) Term: **15 Years**

(21) Appl. No.: **29/626,246**

(22) Filed: **Nov. 15, 2017**

(51) **LOC (12) Cl.** **21-02**

(52) **U.S. Cl.**
USPC **D21/743**

(58) **Field of Classification Search**
USPC D21/736-746, 759
CPC A63B 53/00; A63B 53/04; A63B 53/007;
A63B 53/065; A63B 53/0487; A63B
60/00; A63B 60/46
See application file for complete search history.

(56) **References Cited**

U.S. PATENT DOCUMENTS

3,652,094	A	3/1972	Glover	
D231,375	S *	4/1974	Solheim D21/742
D234,960	S	4/1975	Swash	
D235,668	S	7/1975	Swash	
D281,092	S	10/1985	Mills	

(Continued)

FOREIGN PATENT DOCUMENTS

CN	2920325	Y	7/2007
CN	103252065	A	8/2013
GB	2133295	A	7/1984
JP	2001137400	A	5/2001
JP	1318571		1/2008

OTHER PUBLICATIONS

Odyssey Works Tank Cruiser #1w, <http://www.pgatoursuperstore.com/odyssey-works-tank-cruiser-1w/1000000005200.jsp> , Date Accessed: Dec. 14, 2016.
Cx1, <http://cureputters.com/products/cx1> , Date Accessed: Dec. 13, 2016.

Primary Examiner — Mitchell I. Siegel

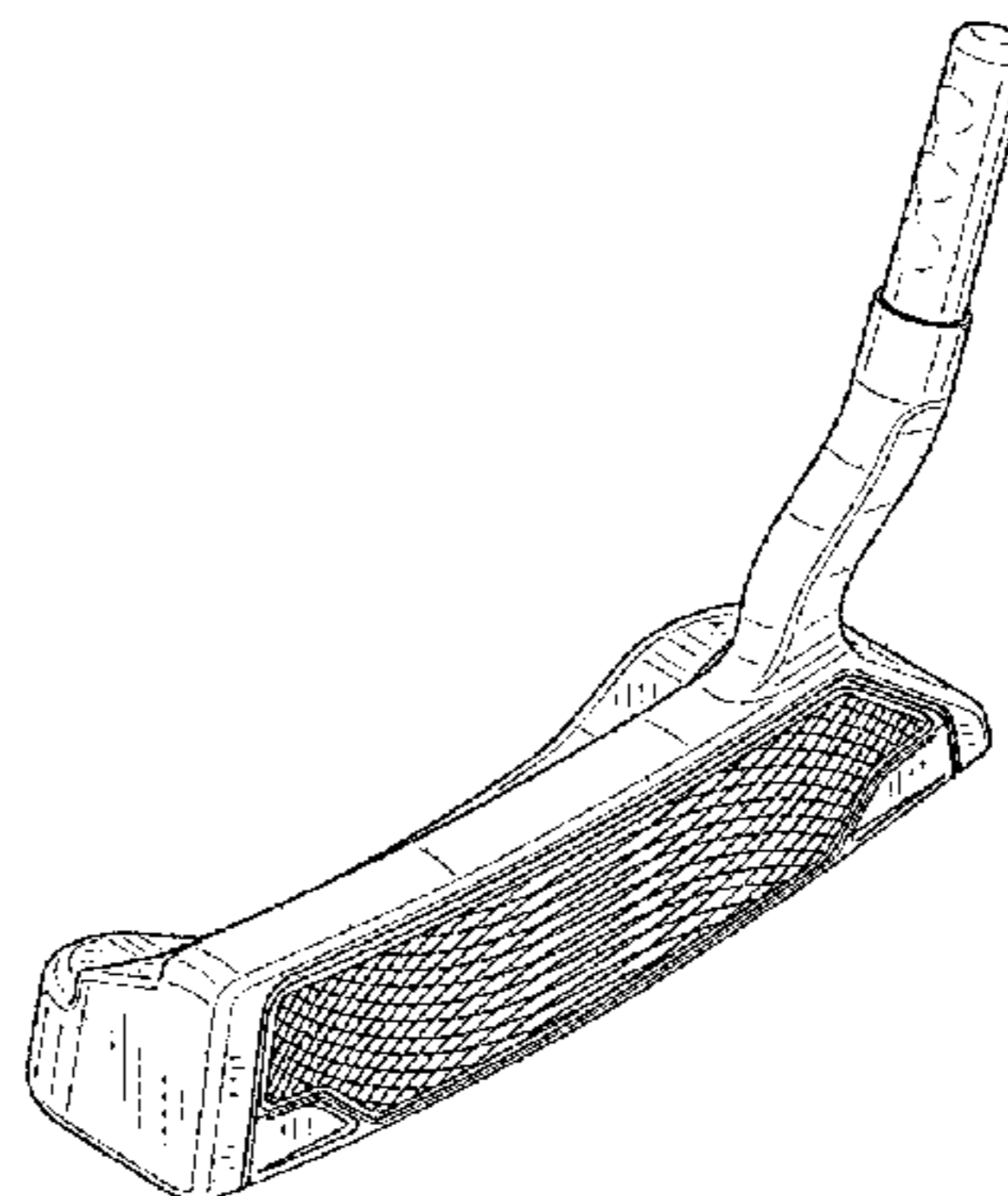
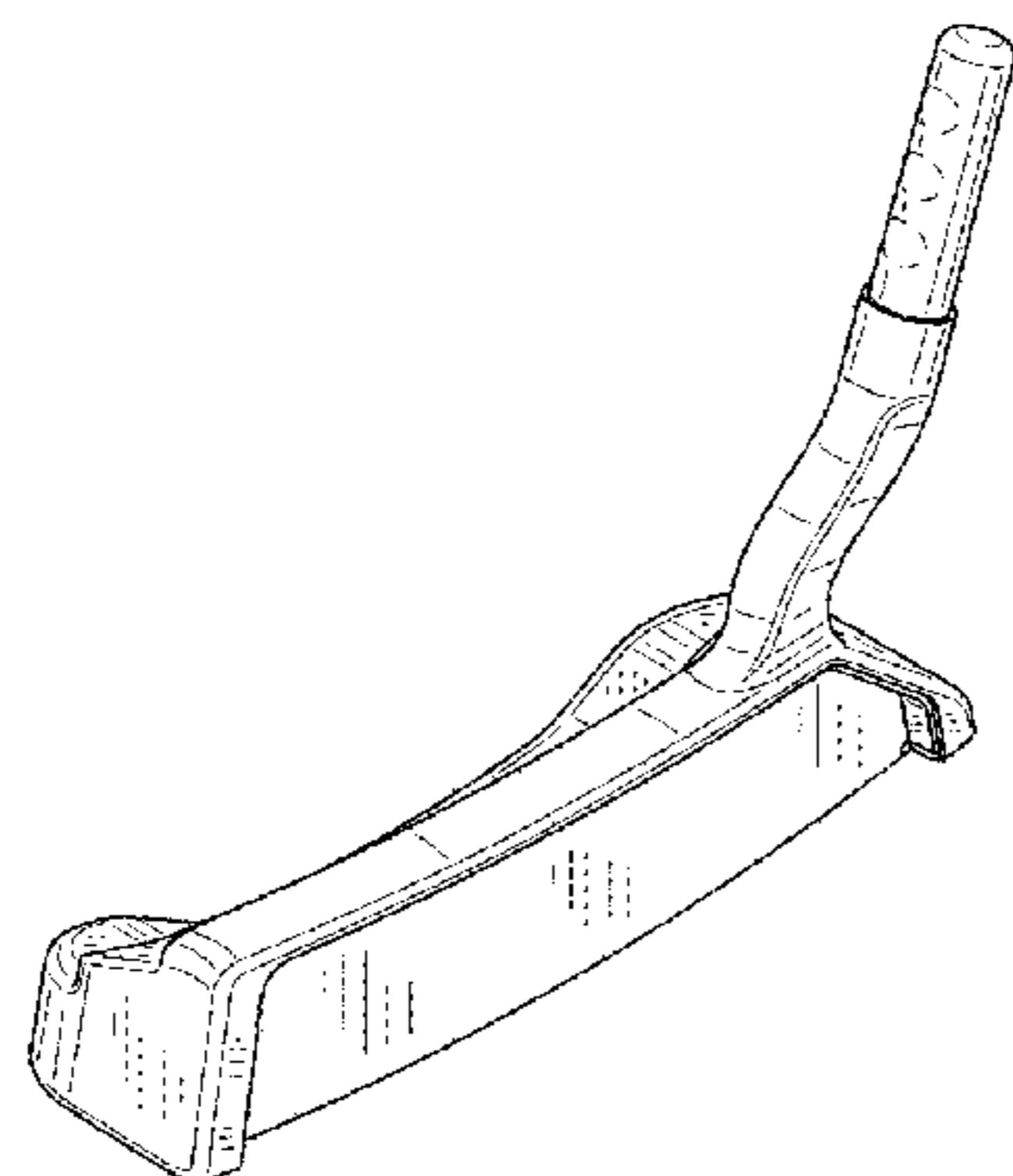
(57) **CLAIM**

The ornamental design for a golf club head, as shown and described.

DESCRIPTION

FIG. 1 is a top perspective view of a golf club head; FIG. 2 is a bottom perspective view of the golf club head of FIG. 1; FIG. 3 is a front view of the golf club head of FIG. 1; FIG. 4 is a rear view of the golf club head of FIG. 1; FIG. 5 is a heel side view of the golf club head of FIG. 1; FIG. 6 is a toe side view of the golf club head of FIG. 1; FIG. 7 is a top view of the golf club head of FIG. 1; FIG. 8 is a bottom view of the golf club head of FIG. 1; FIG. 9 is a top perspective view of another embodiment of a golf club head; FIG. 10 is a bottom perspective view of the golf club head of FIG. 9; FIG. 11 is a front view of the golf club head of FIG. 9; FIG. 12 is a rear view of the golf club head of FIG. 9; FIG. 13 is a heel side view of the golf club head of FIG. 9; FIG. 14 is a toe side view of the golf club head of FIG. 9; FIG. 15 is a top view of the golf club head of FIG. 9; and, FIG. 16 is a bottom view of the golf club head of FIG. 9. The broken line showing on the hosel of the golf club head is included for the purpose of illustrating unclaimed subject matter and forms no part of the claimed design.

1 Claim, 8 Drawing Sheets



(56)

References Cited

U.S. PATENT DOCUMENTS

4,869,507 A	9/1989	Sahm	
D306,334 S	2/1990	Alcala	
D310,115 S	8/1990	Iinuma	
D310,699 S	9/1990	Parente et al.	
D324,895 S	3/1992	Antonious	
D335,315 S	5/1993	Shearer	
D344,564 S	2/1994	Oakleaf	
D367,905 S *	3/1996	Kanazawa	D21/742
D372,752 S	8/1996	Raudman	
D385,935 S	11/1997	Cameron	
5,746,664 A	5/1998	Reynolds, Jr.	
D396,080 S	7/1998	Bottema	
D399,274 S	10/1998	Bradford	
D404,451 S	1/1999	Sheets	
D405,836 S *	2/1999	Nicolette	D21/736
D408,064 S *	4/1999	Slucker	D21/736
D410,267 S *	5/1999	Solheim	D21/736
6,048,275 A	4/2000	Gedeon	
D426,599 S	6/2000	Morgan et al.	
D427,262 S *	6/2000	Frazetta	D21/743
D435,275 S *	12/2000	Sizemore, Jr.	D21/736
D438,273 S	2/2001	Sizemore, Jr.	
D443,905 S *	6/2001	Nicolette	D21/743
D445,865 S	7/2001	Mills	
D449,085 S	10/2001	Breier et al.	
D454,169 S *	3/2002	Solheim	D21/736
D463,517 S *	9/2002	Ngon	D21/736
D472,949 S *	4/2003	Serrano	D21/736
D474,253 S	5/2003	Mills	
D483,823 S	12/2003	Swist	
D485,320 S	1/2004	Breier et al.	
D488,526 S	4/2004	Souza et al.	
D499,782 S	12/2004	Stites et al.	
D500,109 S	12/2004	Solheim et al.	
D500,110 S	12/2004	Solheim et al.	
D501,233 S	1/2005	Thomas	
6,837,801 B1	1/2005	Souza et al.	
6,893,355 B2	5/2005	Souza et al.	
D506,237 S	6/2005	Byrne et al.	
D507,612 S	7/2005	Souza et al.	
D508,546 S	8/2005	Oldknow	
6,926,615 B1	8/2005	Souza et al.	
6,960,140 B2	11/2005	Solheim et al.	
6,968,645 B2	11/2005	Epps et al.	
D513,050 S	12/2005	Grimaldo	
D515,646 S	2/2006	Perry	
D520,583 S	5/2006	Rollinson et al.	
D520,584 S	5/2006	Karlsen	
D521,582 S	5/2006	Souza et al.	
7,052,411 B2	5/2006	Solheim et al.	
D522,598 S	6/2006	Solheim et al.	
D523,102 S	6/2006	Stites et al.	
D524,887 S	7/2006	Jones et al.	
D525,328 S	7/2006	Solheim et al.	
D525,329 S	7/2006	Jones et al.	
D527,433 S	8/2006	Hueber	
7,086,957 B2	8/2006	Solheim et al.	
D527,777 S	9/2006	Solheim et al.	
D529,109 S	9/2006	Jones	
7,112,147 B2	9/2006	Solheim et al.	
D529,560 S	10/2006	Madore	
D529,564 S	10/2006	Grace	
D532,066 S	11/2006	Tang	
D532,842 S	11/2006	Jones et al.	
D532,843 S	11/2006	Jones et al.	
D533,243 S	12/2006	Fife, Jr. et al.	
D533,609 S	12/2006	Moore et al.	
D534,978 S	1/2007	Rollinson et al.	
D537,135 S	2/2007	Rollinson et al.	
D538,364 S	3/2007	Frame et al.	
D540,411 S	4/2007	Bradford et al.	
D540,897 S	4/2007	Oldknow et al.	
D541,362 S	4/2007	Oldknow	
D542,871 S	5/2007	Oldknow	
D542,873 S	5/2007	Oldknow	
D545,385 S	6/2007	Tang et al.	
7,235,021 B2	6/2007	Solheim et al.	
D547,405 S	7/2007	Serrano et al.	
D548,294 S	8/2007	Nguyen et al.	
D548,295 S	8/2007	Jertson et al.	
D548,296 S	8/2007	Rollinson	
7,255,650 B2	8/2007	Braynt et al.	
D551,310 S	9/2007	Kuan et al.	
D552,197 S	10/2007	Wells et al.	
D552,697 S	10/2007	Johnson	
D553,207 S	10/2007	Johnson	
D560,263 S	1/2008	Rubino	
D564,606 S	3/2008	Oldknow et al.	
D564,612 S	3/2008	Oldknow et al.	
D565,137 S	3/2008	Oldknow et al.	
D565,142 S	3/2008	Oldknow et al.	
D565,678 S	4/2008	Cameron	
D570,934 S	6/2008	Ban et al.	
D570,943 S	6/2008	Chen et al.	
D571,877 S	6/2008	Jones et al.	
D571,878 S	6/2008	Jones et al.	
D571,879 S	6/2008	Jones et al.	
D571,886 S	6/2008	Stites et al.	
D572,789 S	7/2008	Stites et al.	
D574,457 S	8/2008	Stites et al.	
D574,906 S	8/2008	Jones et al.	
D574,907 S	8/2008	Jones et al.	
D574,909 S	8/2008	Jones et al.	
D574,910 S	8/2008	Jones et al.	
D574,911 S *	8/2008	Jones	D21/743
D574,912 S *	8/2008	Jones	D21/743
7,407,443 B2	8/2008	Franklin et al.	
D577,085 S *	9/2008	Nicolette	D21/743
D577,086 S *	9/2008	Nicolette	D21/743
D578,593 S	10/2008	Oldknow et al.	
D578,594 S	10/2008	Oldknow et al.	
D579,505 S	10/2008	Jones	
D579,506 S *	10/2008	Nicolette	D21/743
D579,995 S *	11/2008	Nicolette	D21/743
7,452,283 B2	11/2008	Hettinger et al.	
7,455,599 B2	11/2008	Jones	
D583,003 S	12/2008	Solheim et al.	
D584,780 S	1/2009	Ines et al.	
D587,325 S	2/2009	Solheim et al.	
D592,719 S *	5/2009	Hettinger	D21/743
D596,683 S *	7/2009	Hettinger	D21/746
D599,423 S	9/2009	Serrano et al.	
D599,424 S	9/2009	Serrano et al.	
D599,869 S	9/2009	Serrano et al.	
D599,870 S	9/2009	Serrano et al.	
D600,298 S	9/2009	Serrano et al.	
D600,760 S	9/2009	Serrano et al.	
D600,762 S	9/2009	Serrano et al.	
D601,214 S	9/2009	Serrano et al.	
7,803,066 B2	9/2010	Solheim et al.	
8,100,779 B2	1/2012	Solheim et al.	
D733,817 S *	7/2015	Jorgensen	D21/736
D807,454 S *	1/2018	Serrano	D21/744
D832,948 S *	11/2018	Stokke	D21/736
2003/0083149 A1	5/2003	Scarpa et al.	
2006/0089206 A1	4/2006	Lo	
2006/0116216 A1	6/2006	Sorenson	
2007/0010348 A1	1/2007	Jung	
2007/0021230 A1	1/2007	Haack	
2007/0135232 A1	6/2007	Billings	
2008/0045353 A1	2/2008	Lo et al.	
2008/0293514 A1	11/2008	Franklin et al.	
2009/0029800 A1	1/2009	Jones et al.	
2010/0048321 A1	2/2010	Beach et al.	
2010/0222155 A1	9/2010	Jones et al.	
2014/0179459 A1	6/2014	Schartiger et al.	
2015/0360099 A1	12/2015	Ban et al.	

* cited by examiner

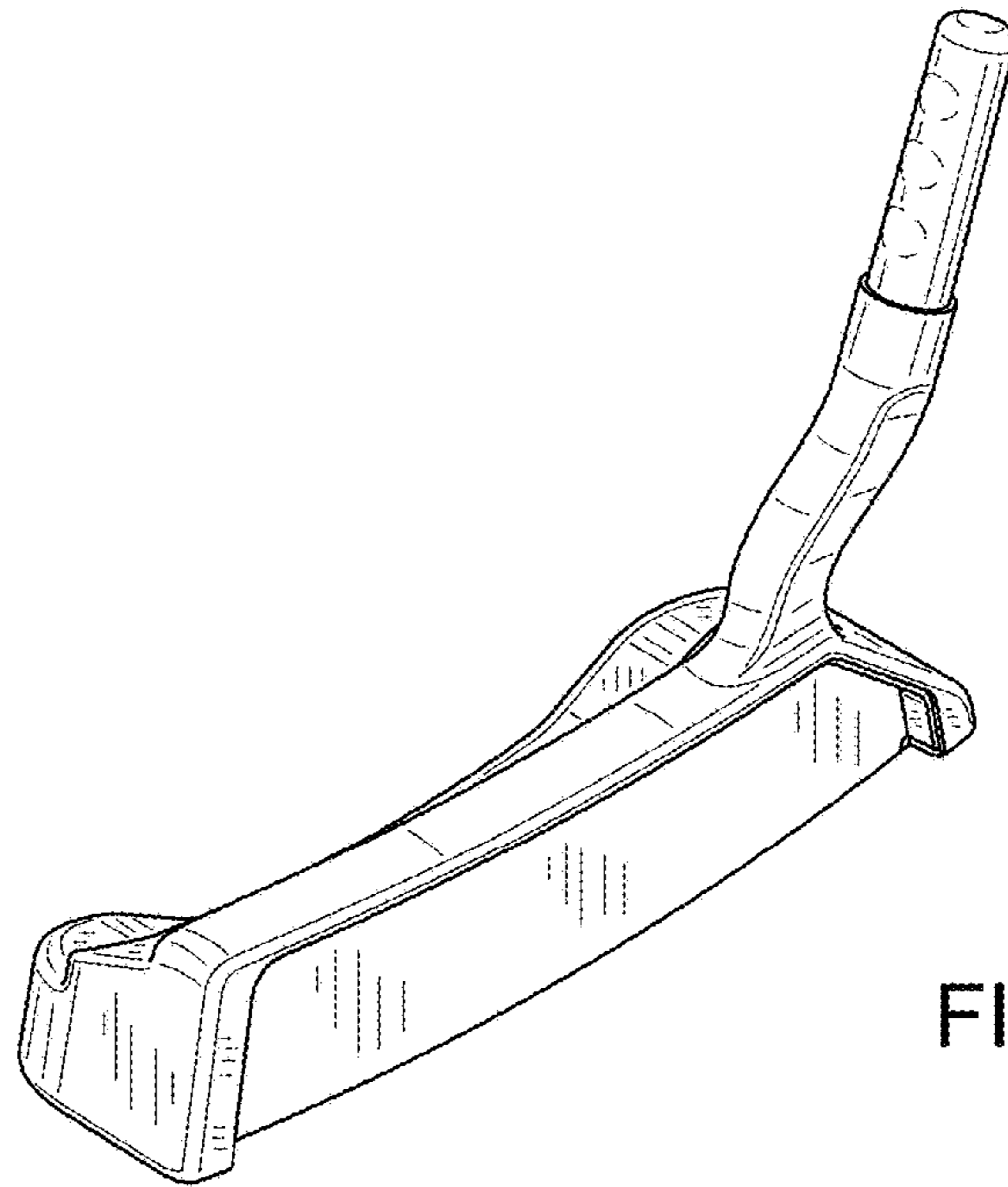


FIG.1

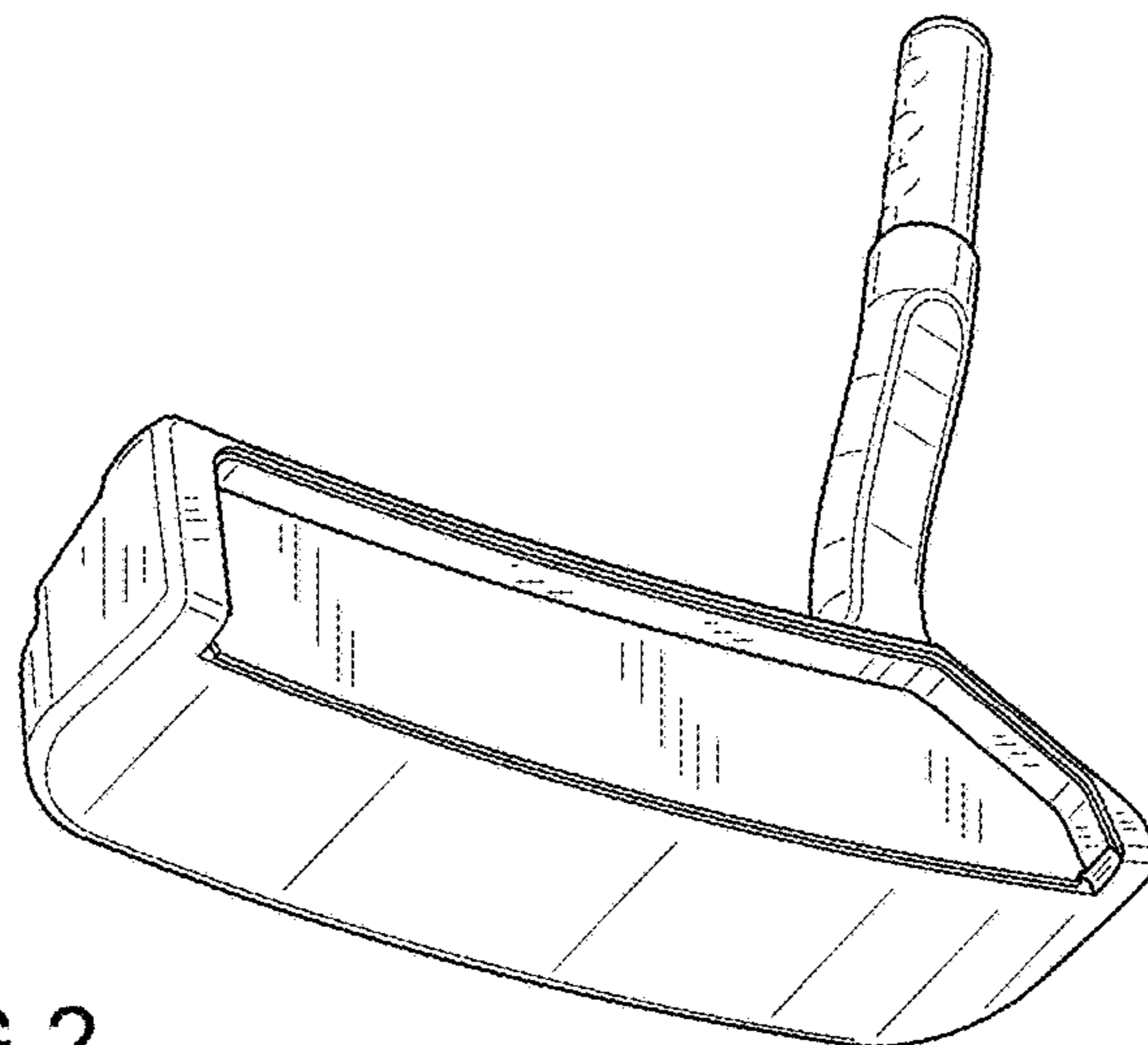


FIG.2

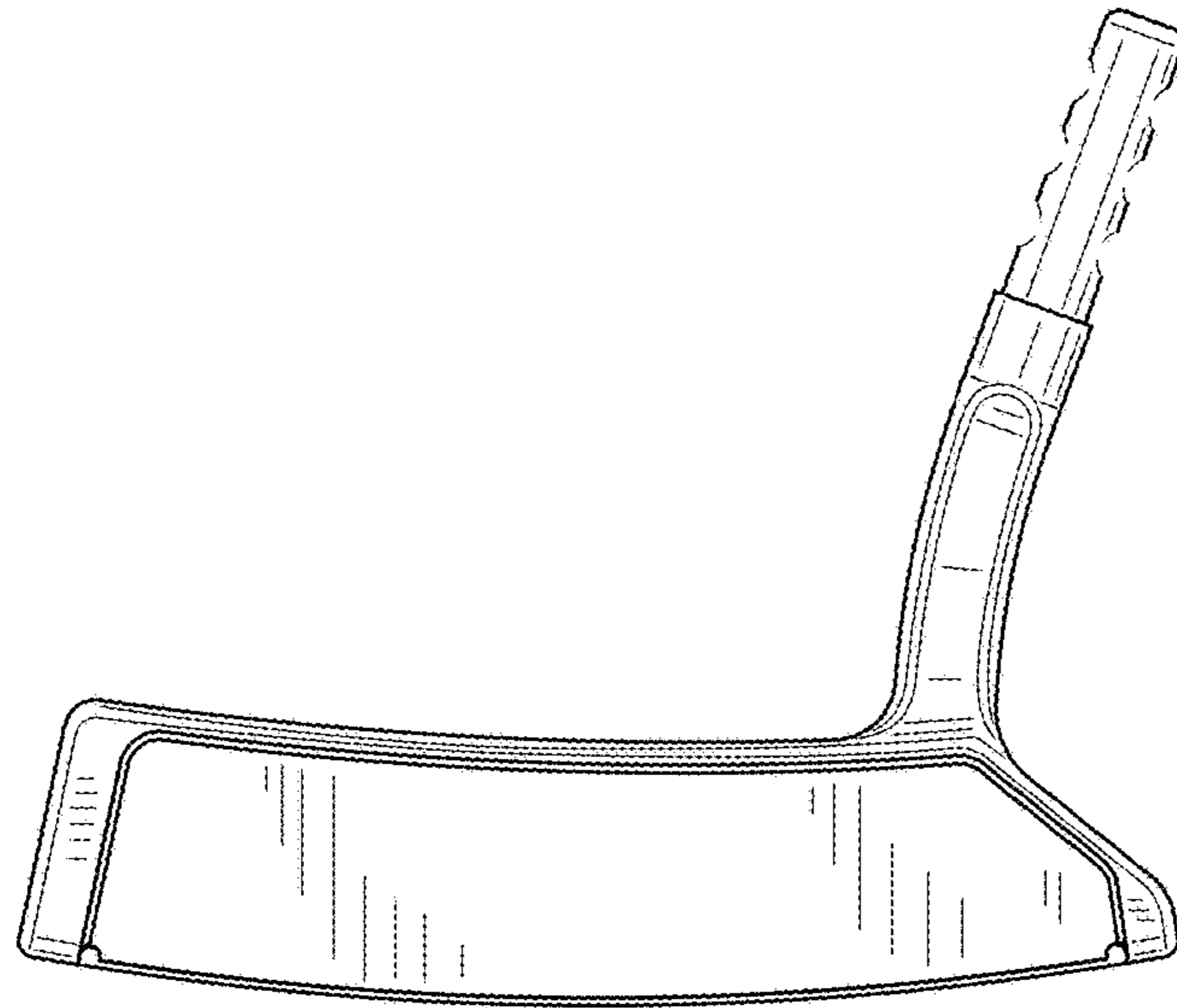


FIG.3

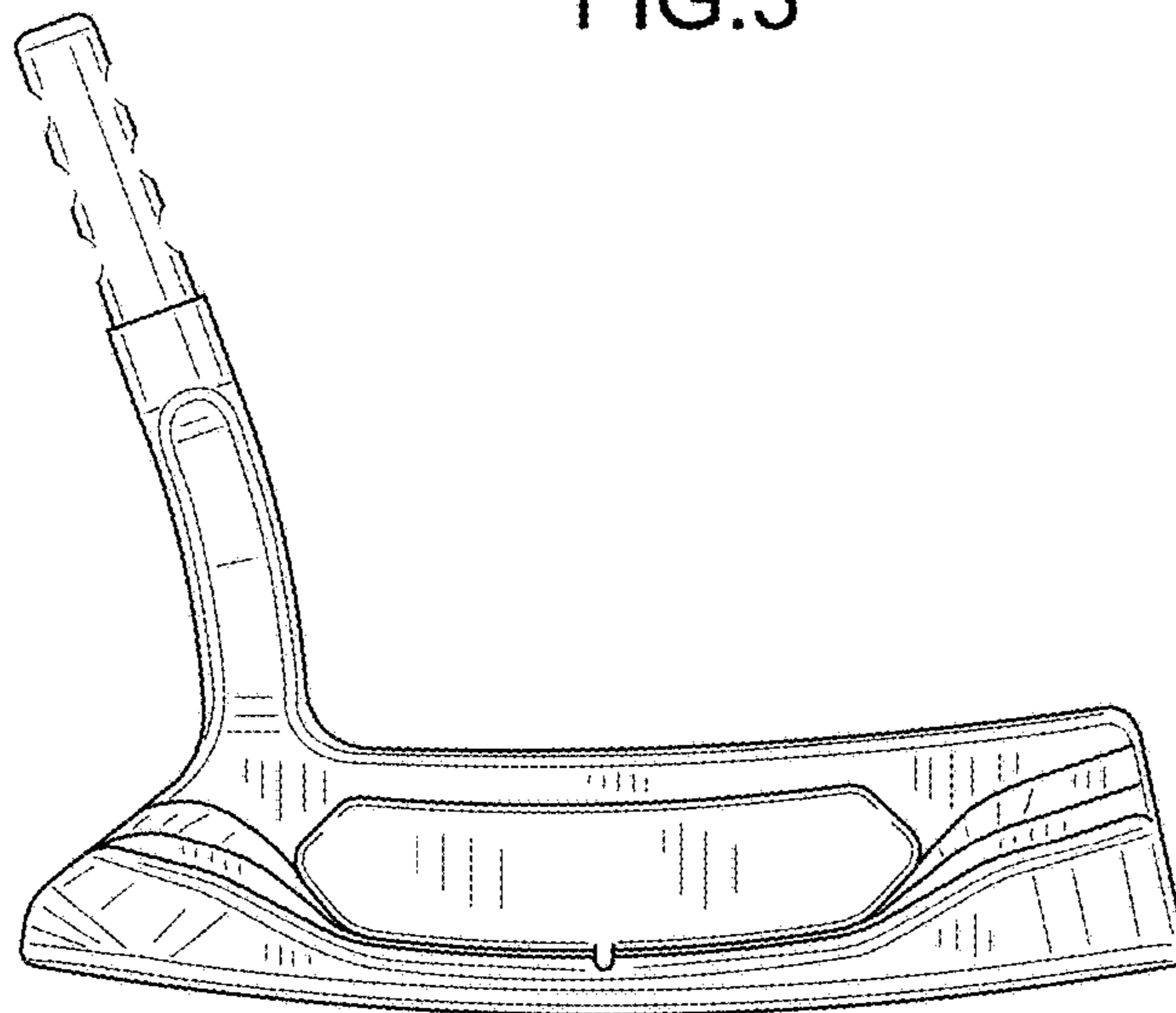


FIG.4

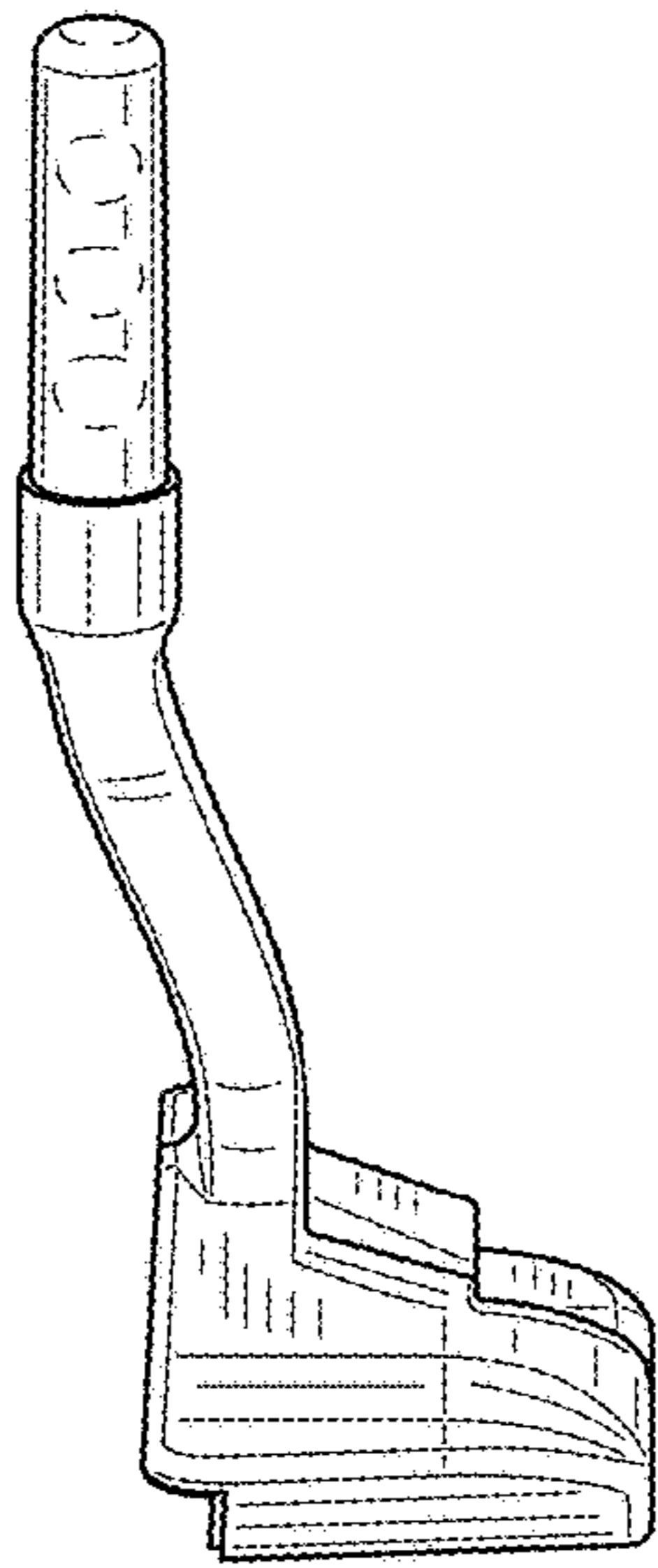


FIG.5

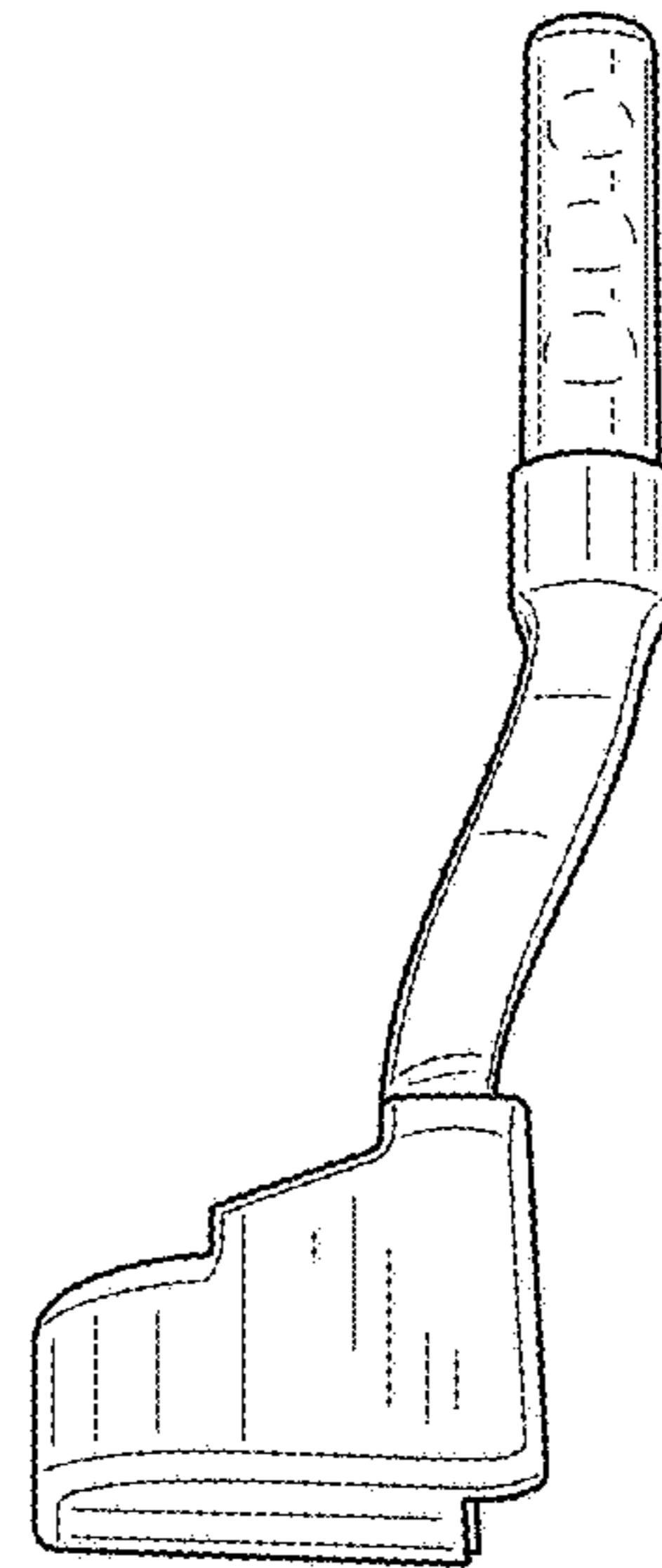


FIG.6

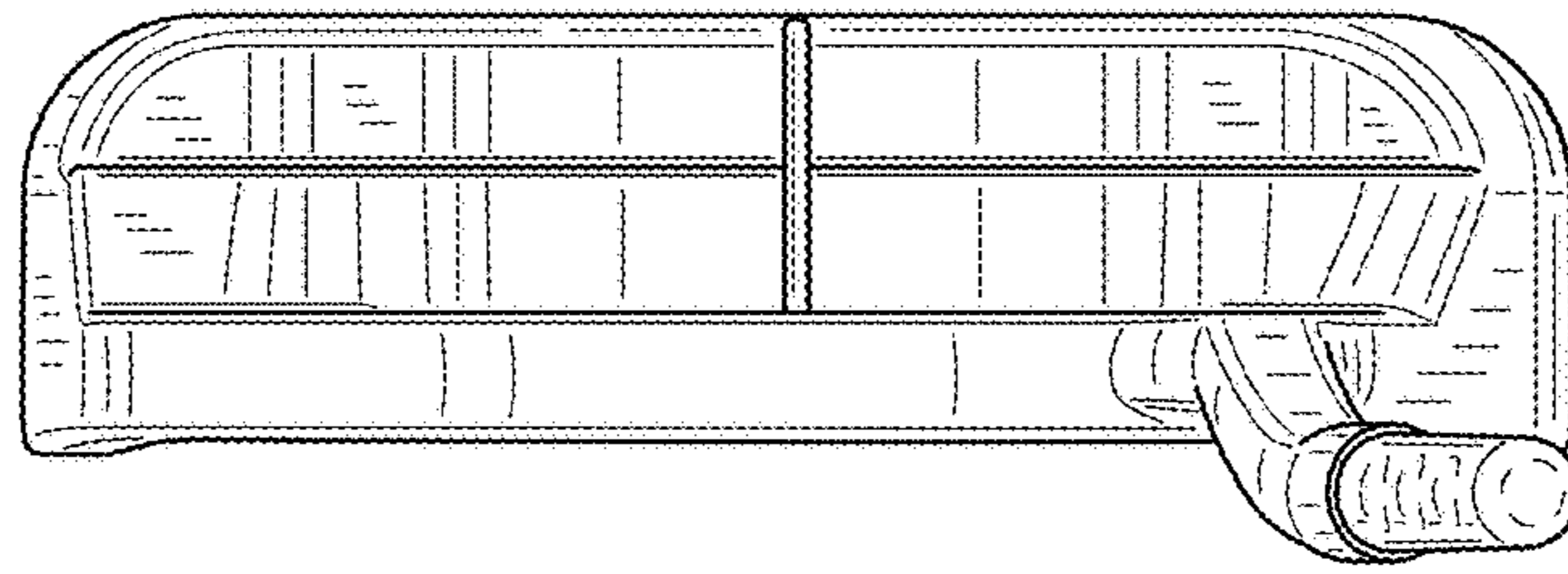


FIG. 7

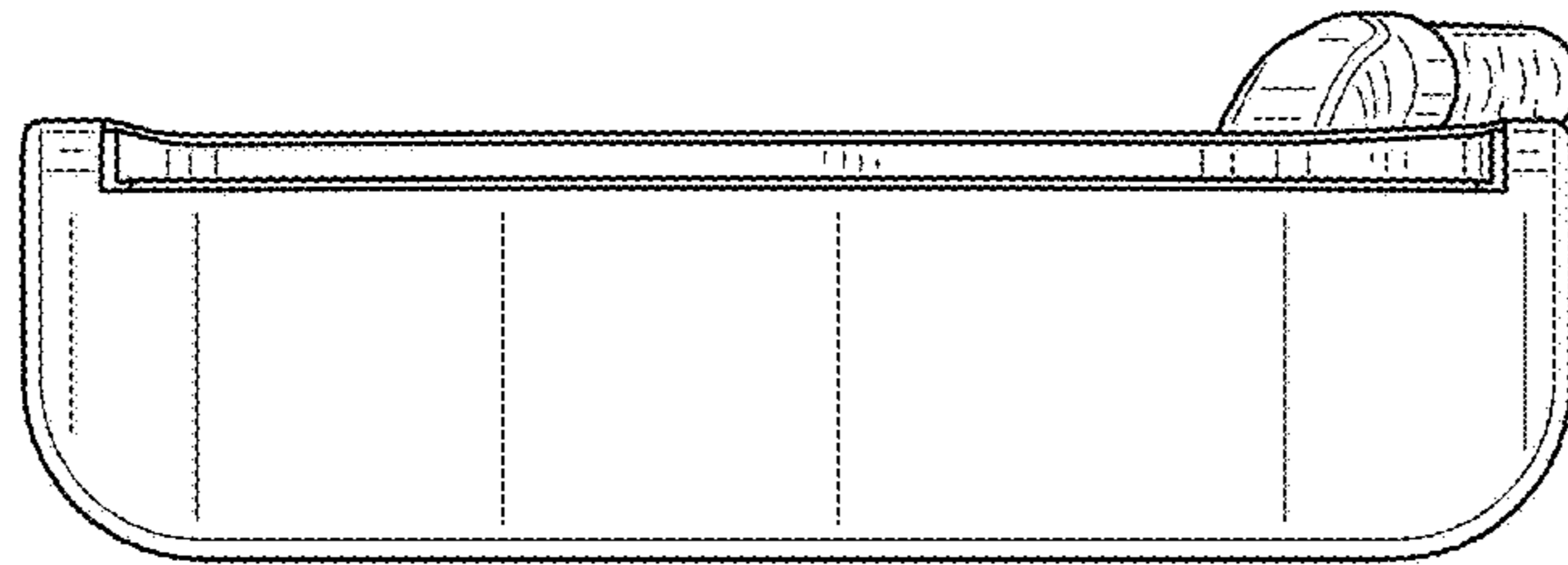


FIG. 8

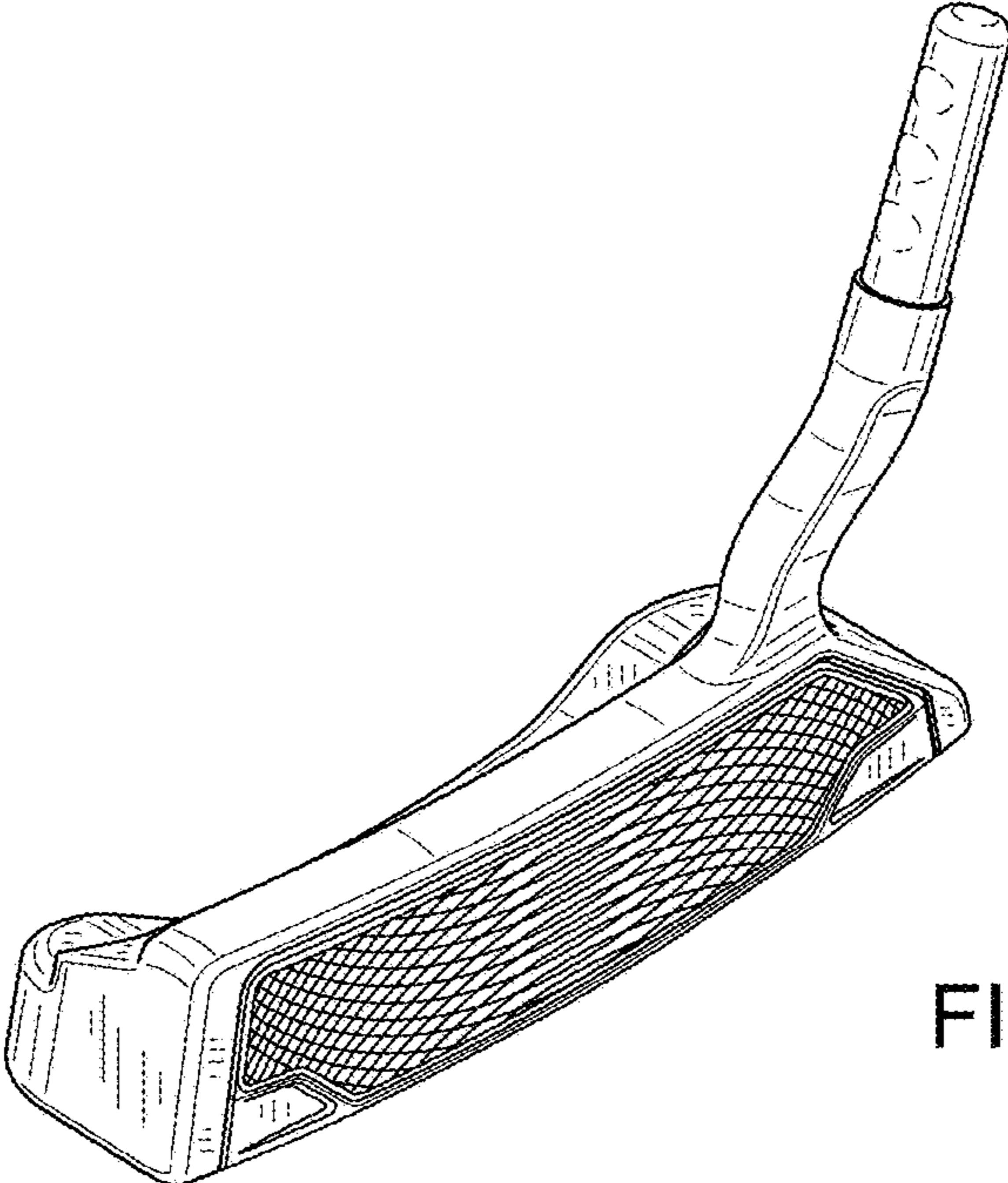


FIG.9

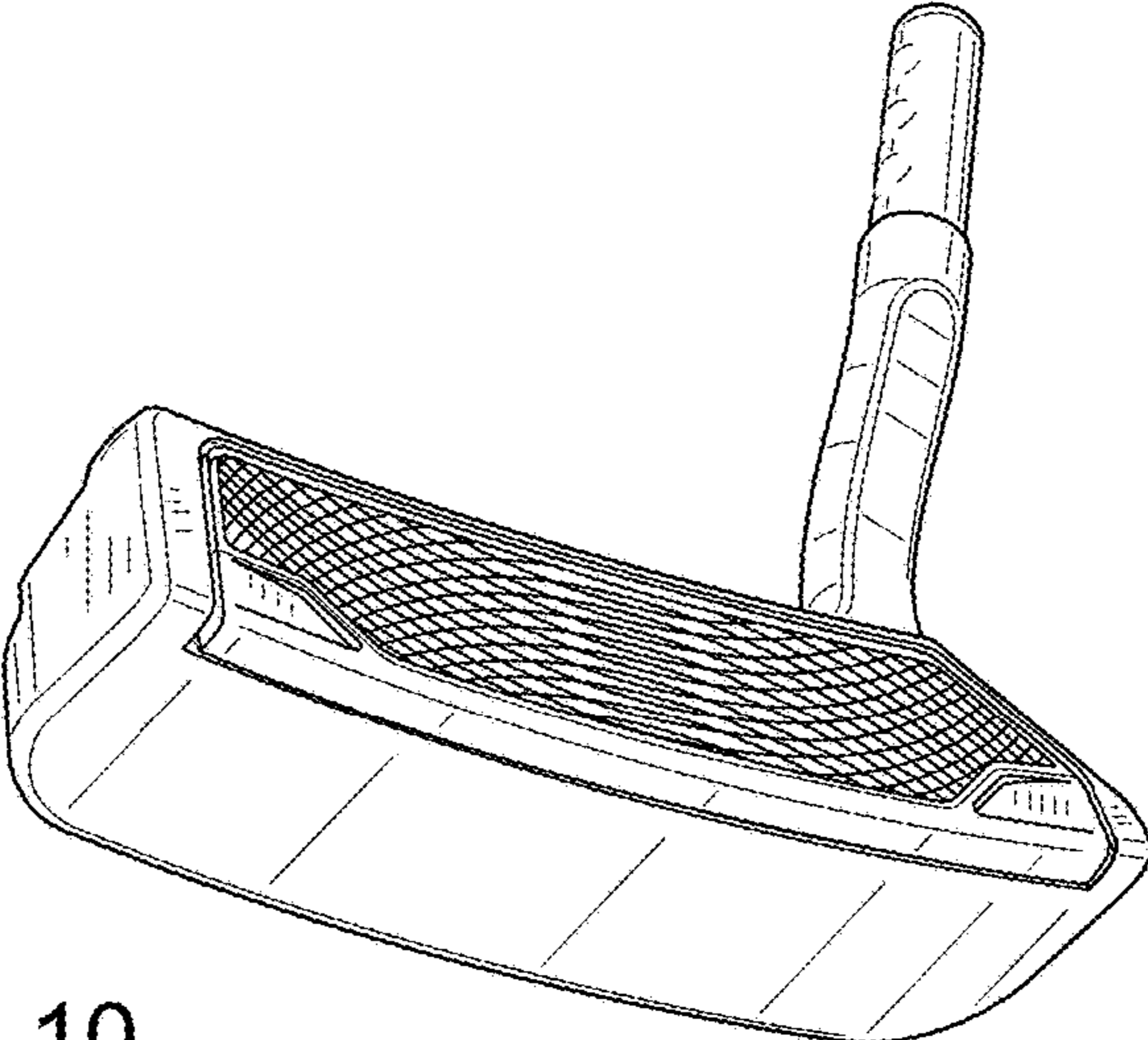


FIG.10

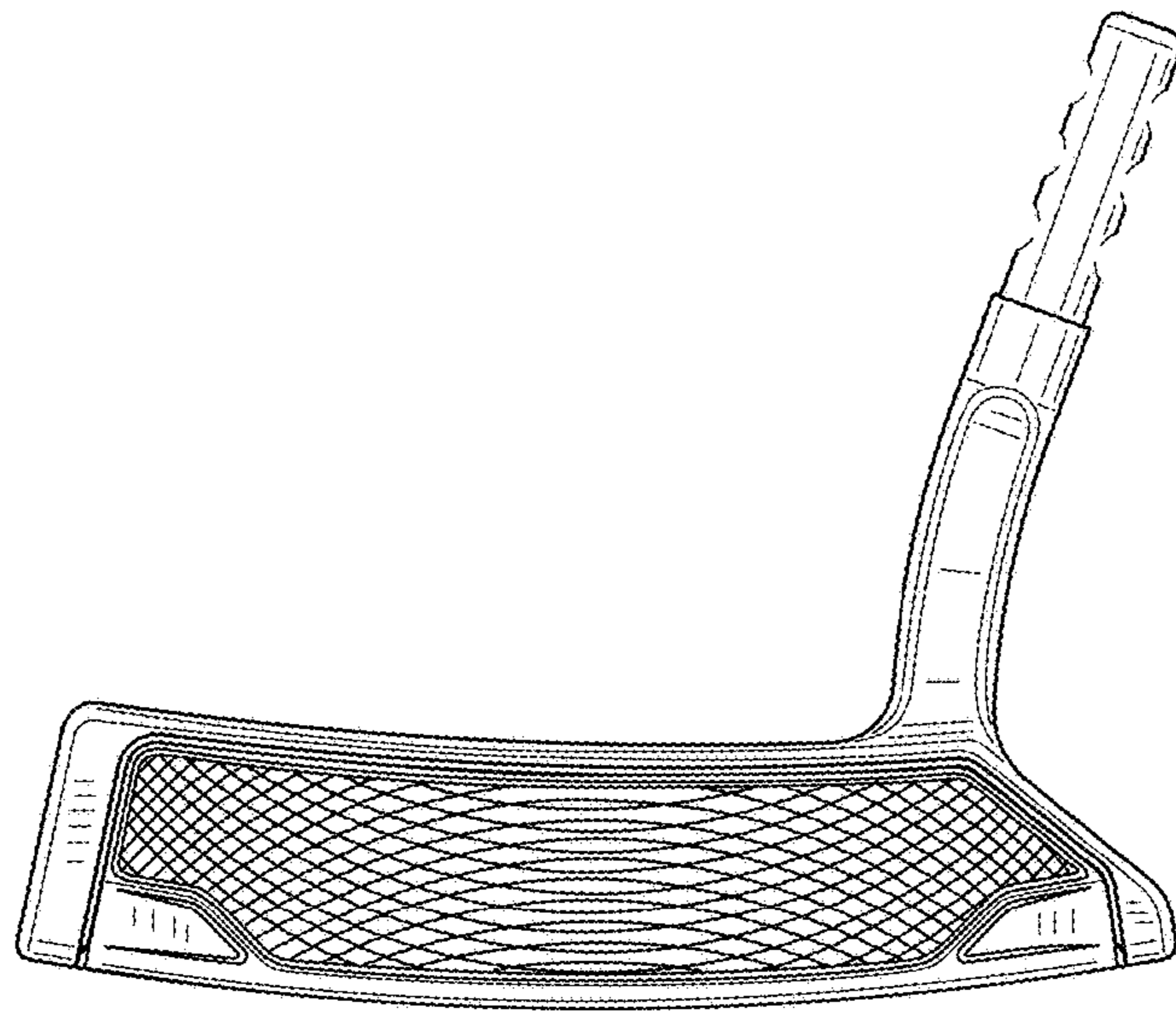


FIG. 11

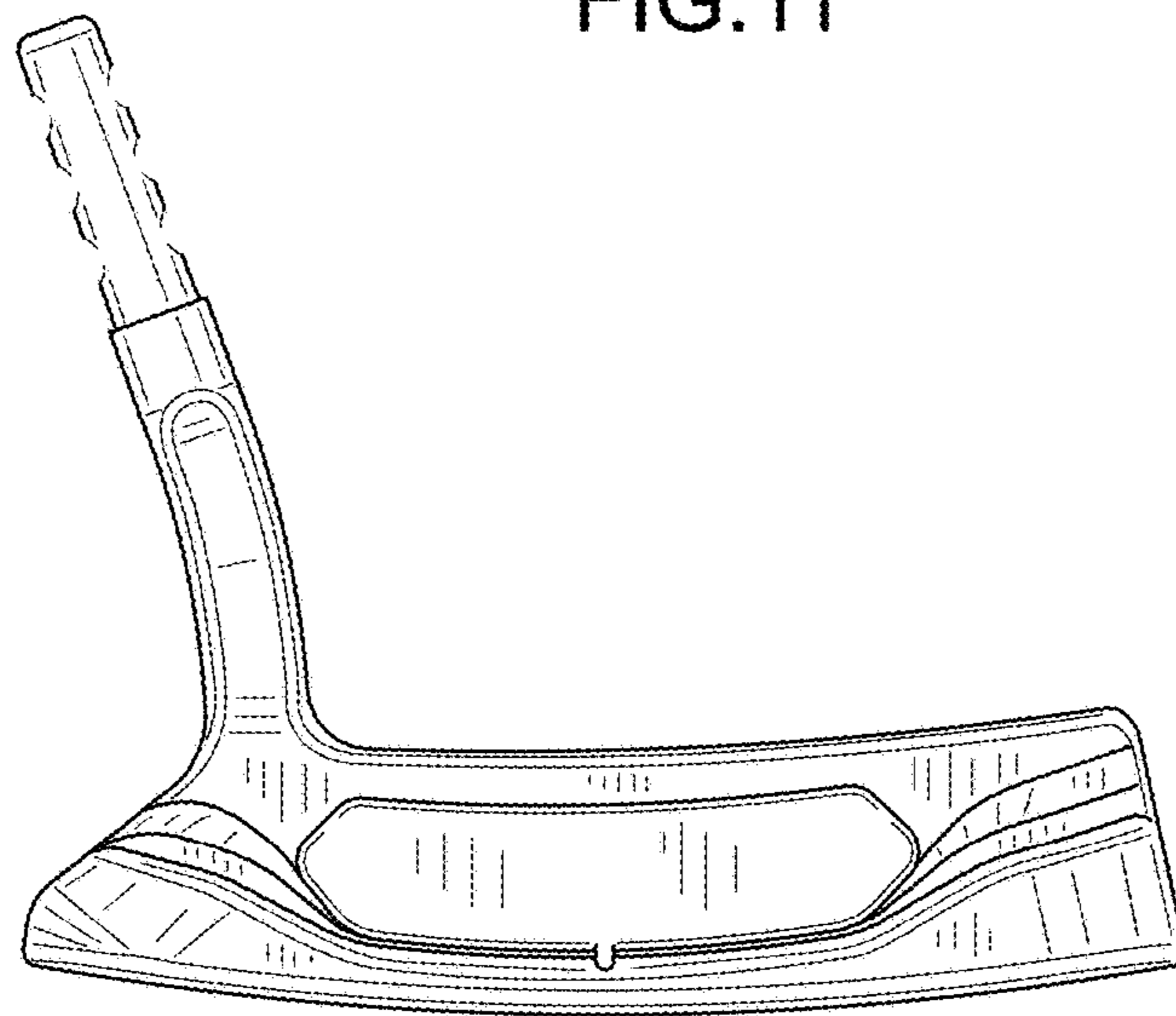


FIG. 12

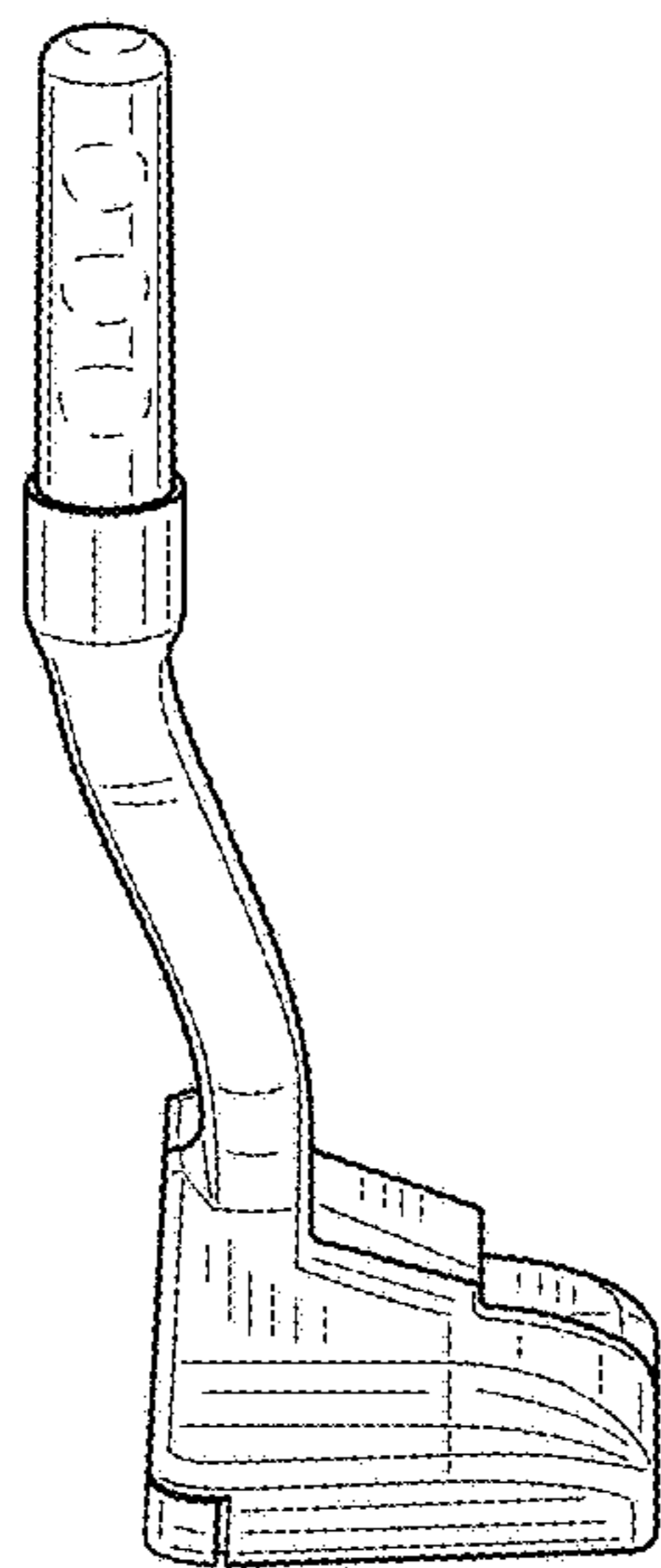


FIG.13

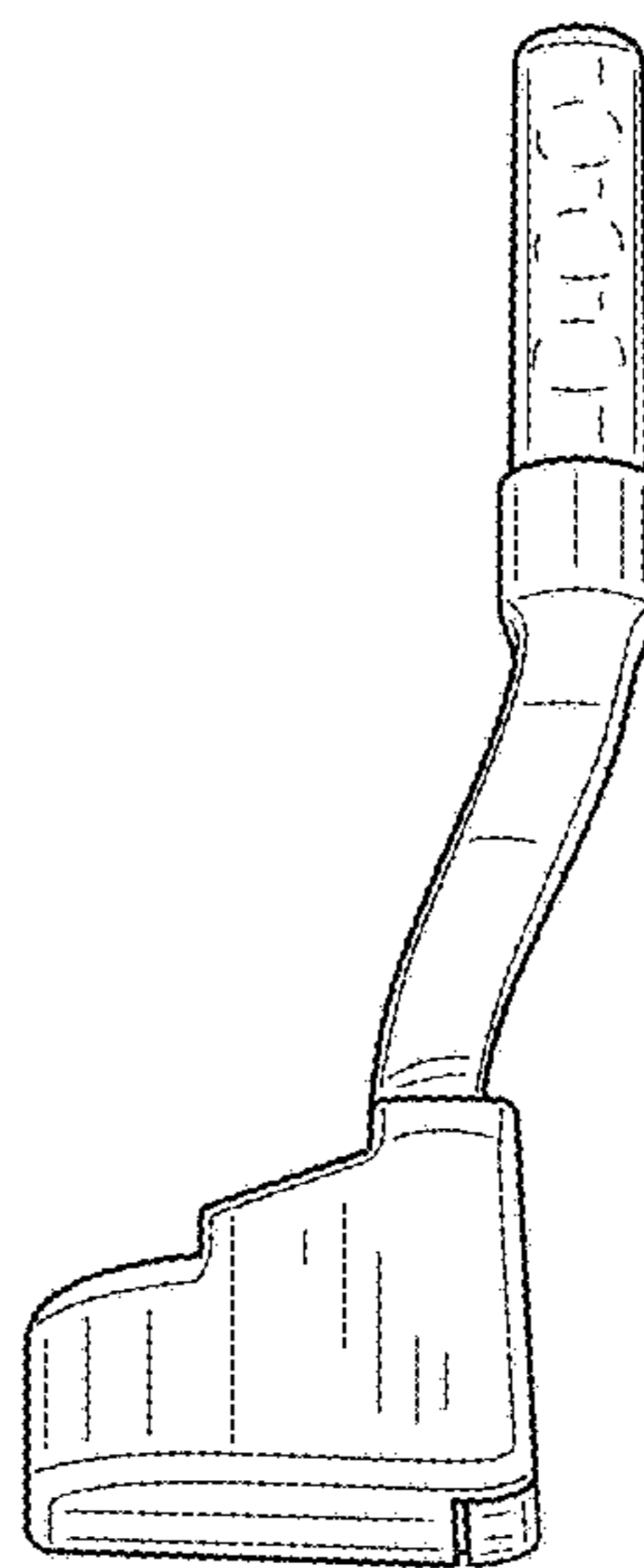


FIG.14

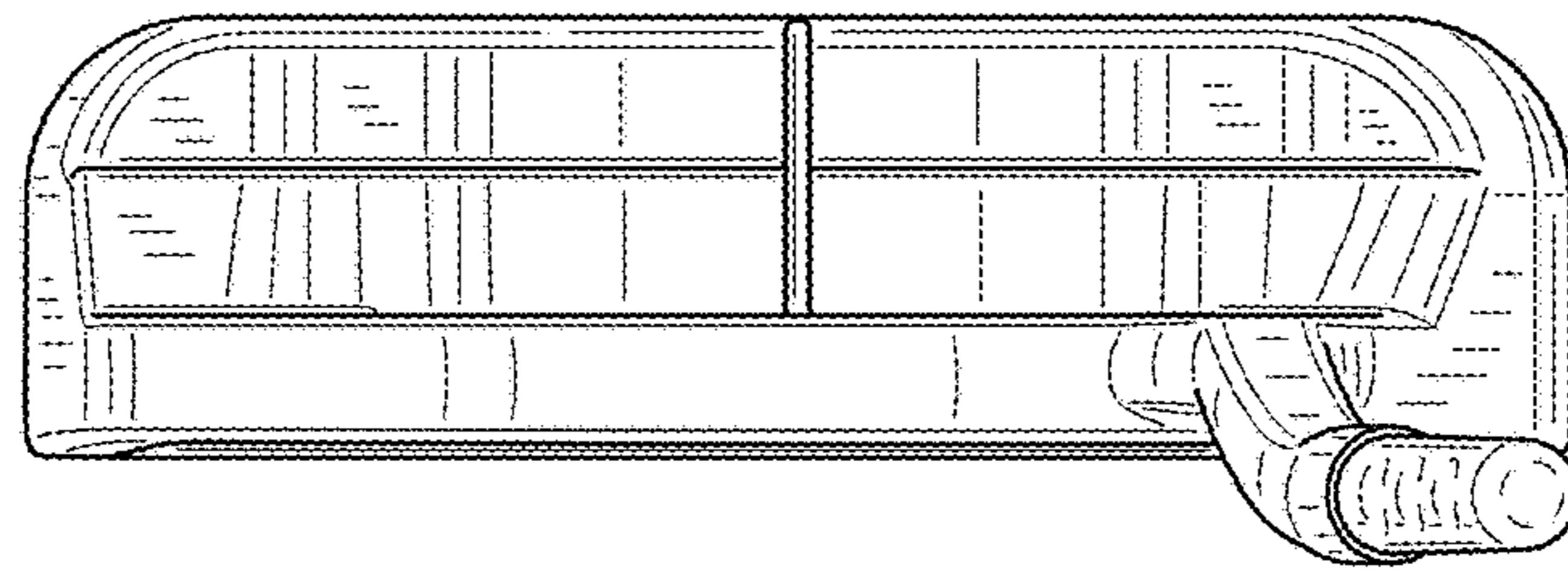


FIG. 15

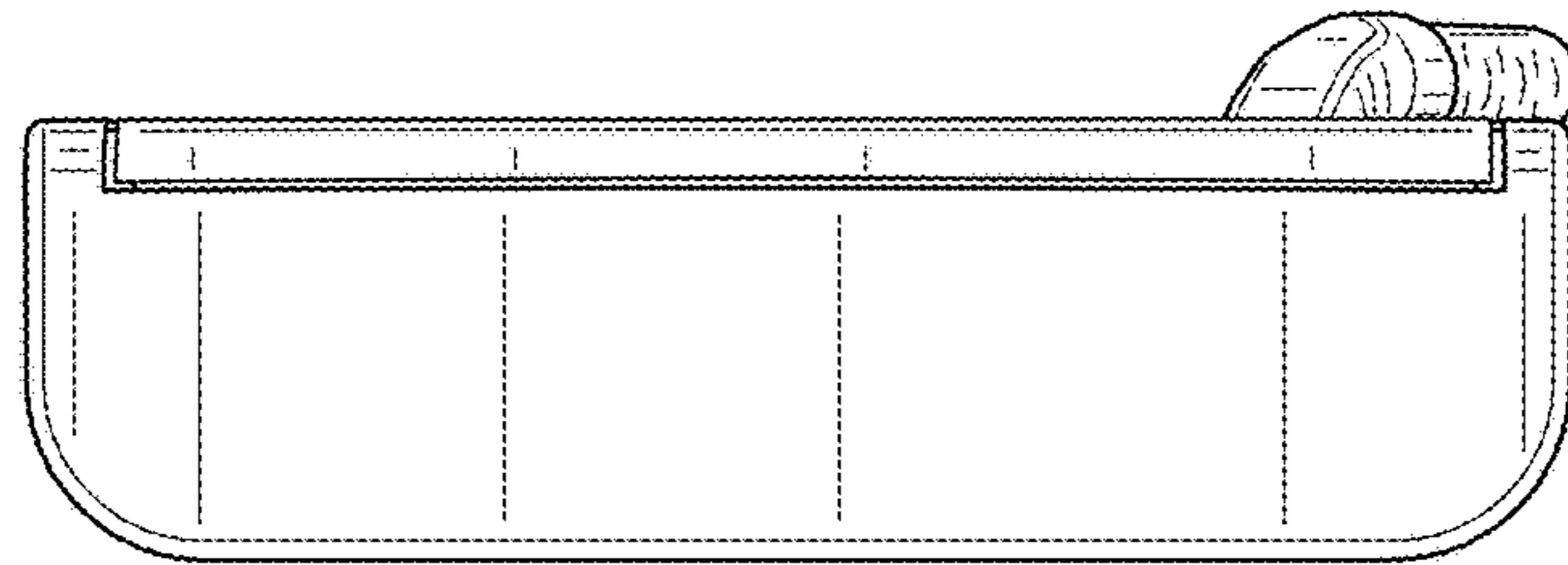


FIG. 16