



US00D857811S

(12) **United States Design Patent** (10) **Patent No.:** **US D857,811 S**
Hendrickson et al. (45) **Date of Patent:** **** Aug. 27, 2019**

(54) **DUMBBELL**

(71) Applicant: **Peloton Interactive, Inc.**, New York, NY (US)

(72) Inventors: **Lee Hendrickson**, Brooklyn, NY (US); **Jason Poure**, Hastings on Hudson, NY (US); **Benjamin Gregory Schultz**, New York, NY (US)

(73) Assignee: **Peloton Interactive, Inc.**, New York, NY (US)

(**) Term: **15 Years**

(21) Appl. No.: **29/632,289**

(22) Filed: **Jan. 5, 2018**

(51) **LOC (12) Cl.** **21-02**

(52) **U.S. Cl.**
USPC **D21/681**

(58) **Field of Classification Search**
USPC D21/364, 400, 505, 662, 678, 679, 680, D21/681, 683, 694; 482/106, 108
(Continued)

(56) **References Cited**

U.S. PATENT DOCUMENTS

D306,886 S * 3/1990 Shiek D21/662
D418,881 S * 1/2000 Cousins D21/681
(Continued)

Primary Examiner — Ian Simmons

Assistant Examiner — Keith Frank

(74) *Attorney, Agent, or Firm* — Lee & Hayes, P.C.

(57) **CLAIM**

The ornamental design for a dumbbell, as shown and described.

DESCRIPTION

FIG. 1 is a front perspective view of a first embodiment of a dumbbell, showing our new design;

FIG. 2 is a front view thereof. The side of the dumbbell shown in broken lines opposite the claimed side of the dumbbell depicted in FIG. 2 is a mirror image of the claimed side of the dumbbell depicted in FIG. 2;

FIG. 3 is a rear view thereof;

FIG. 4 is a left-side view thereof;

FIG. 5 is a right-side view thereof;

FIG. 6 is a top view thereof;

FIG. 7 is a bottom view thereof;

FIG. 8 is a front perspective view of a second embodiment of a dumbbell, showing our new design;

FIG. 9 is a front view thereof. The side of the dumbbell shown in broken lines opposite the claimed side of the dumbbell depicted in FIG. 9 is a mirror image of the claimed side of the dumbbell depicted in FIG. 9;

FIG. 10 is a rear view thereof;

FIG. 11 is a left-side view thereof;

FIG. 12 is a right-side view thereof;

FIG. 13 is a top view thereof;

FIG. 14 is a bottom view thereof;

FIG. 15 is a front perspective view of a third embodiment of a dumbbell, showing our new design;

FIG. 16 is a front view thereof. The side of the dumbbell shown in broken lines opposite the claimed side of the dumbbell depicted in FIG. 16 is a mirror image of the claimed side of the dumbbell depicted in FIG. 16;

FIG. 17 is a rear view thereof;

FIG. 18 is a left-side view thereof;

FIG. 19 is a right-side view thereof;

FIG. 20 is a top view thereof;

FIG. 21 is a bottom view thereof;

FIG. 22 is a front perspective view of a fourth embodiment of a dumbbell, showing our new design;

FIG. 23 is a front view thereof. The side of the dumbbell shown in broken lines opposite the claimed side of the dumbbell depicted in FIG. 23 is a mirror image of the claimed side of the dumbbell depicted in FIG. 23;

FIG. 24 is a rear view thereof;

FIG. 25 is a left-side view thereof;

FIG. 26 is a right-side view thereof;

FIG. 27 is a top view thereof;

FIG. 28 is a bottom view thereof;

(Continued)

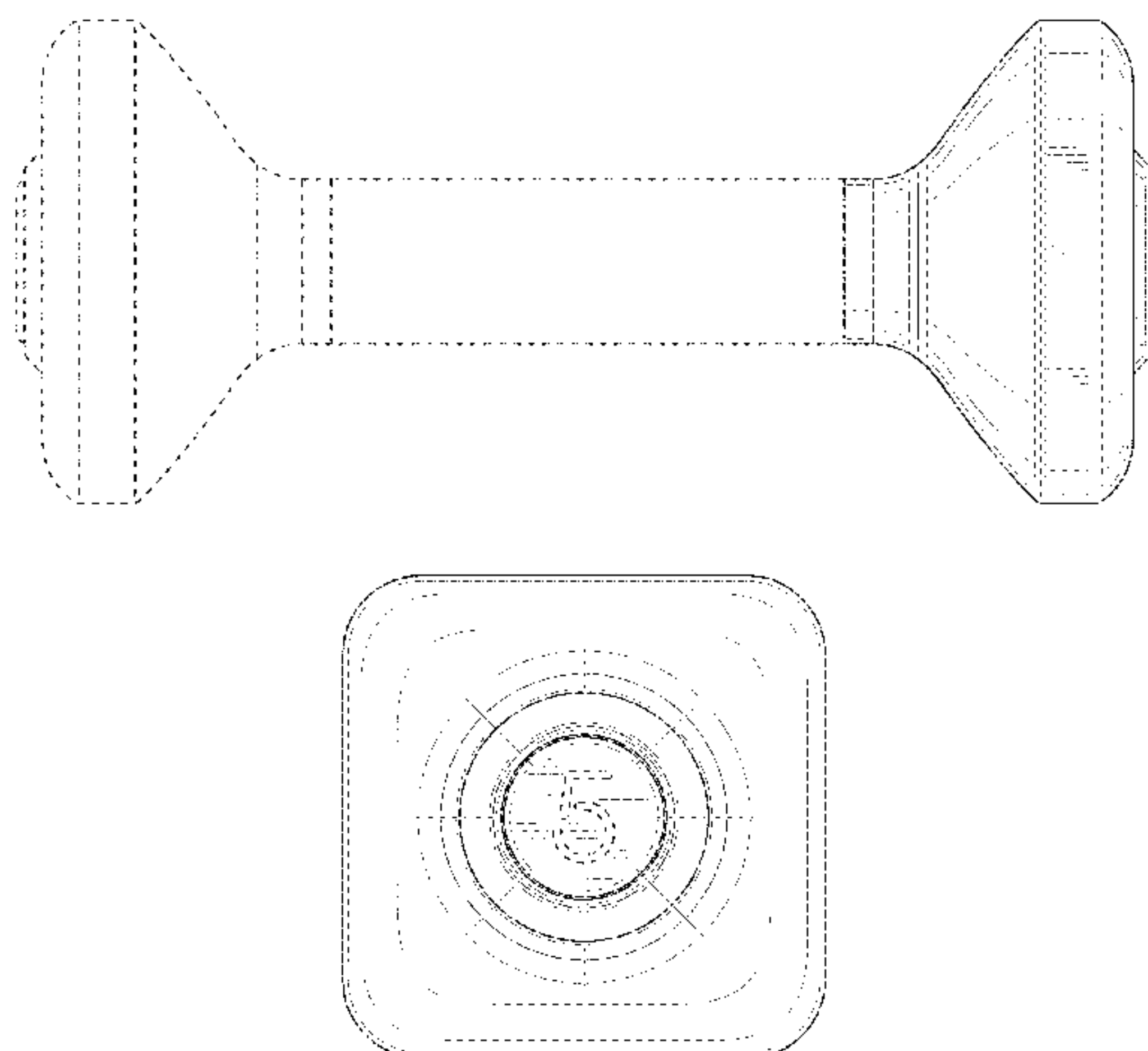


FIG. 29 is a front perspective view of a fifth embodiment of a dumbbell, showing our new design;
 FIG. 30 is a front view thereof. The side of the dumbbell shown in broken lines opposite the claimed side of the dumbbell depicted in FIG. 30 is a mirror image of the claimed side of the dumbbell depicted in FIG. 30;
 FIG. 31 is a rear view thereof;
 FIG. 32 is a left-side view thereof;
 FIG. 33 is a right-side view thereof;
 FIG. 34 is a top view thereof;
 FIG. 35 is a bottom view thereof;
 FIG. 36 is a front perspective view of a sixth embodiment of a dumbbell, showing our new design;
 FIG. 37 is a front view thereof. The side of the dumbbell shown in broken lines opposite the claimed side of the dumbbell depicted in FIG. 37 is a mirror image of the claimed side of the dumbbell depicted in FIG. 37;
 FIG. 38 is a rear view thereof;
 FIG. 39 is a left-side view thereof;
 FIG. 40 is a right-side view thereof;
 FIG. 41 is a top view thereof; and,
 FIG. 42 is a bottom view thereof.
 The dashed broken lines depict portions of the dumbbell which form no part of the claimed design.
 The dot-dashed broken lines represent a boundary line of the claimed design and forms no part of the claimed design.

1 Claim, 42 Drawing Sheets

(58) **Field of Classification Search**

CPC A63B 21/072; A63B 21/0726

See application file for complete search history.

(56) **References Cited**

U.S. PATENT DOCUMENTS

D597,612	S *	8/2009	Lien	D21/681
D624,614	S *	9/2010	Lien	D21/681
D650,289	S *	12/2011	Bosiljevac	D21/681
D663,795	S *	7/2012	Hillson	D21/681
D687,274	S *	8/2013	Onischuk	D8/15
D692,072	S *	10/2013	Childs	D21/681
D739,482	S *	9/2015	Lien	D21/681
D740,379	S *	10/2015	Lien	D21/681
D763,370	S *	8/2016	Tung	D21/681
D801,452	S *	10/2017	Buikema	D21/681
D802,064	S *	11/2017	Hillson	D21/681
D844,077	S *	3/2019	Arceta	D21/680
2006/0240959	A1 *	10/2006	Huang	A63B 21/0726 482/108
2009/0156375	A1 *	6/2009	Chiang	A63B 21/0726 482/108
2014/0005013	A1 *	1/2014	Kassemi	A63B 21/0726 482/108

* cited by examiner

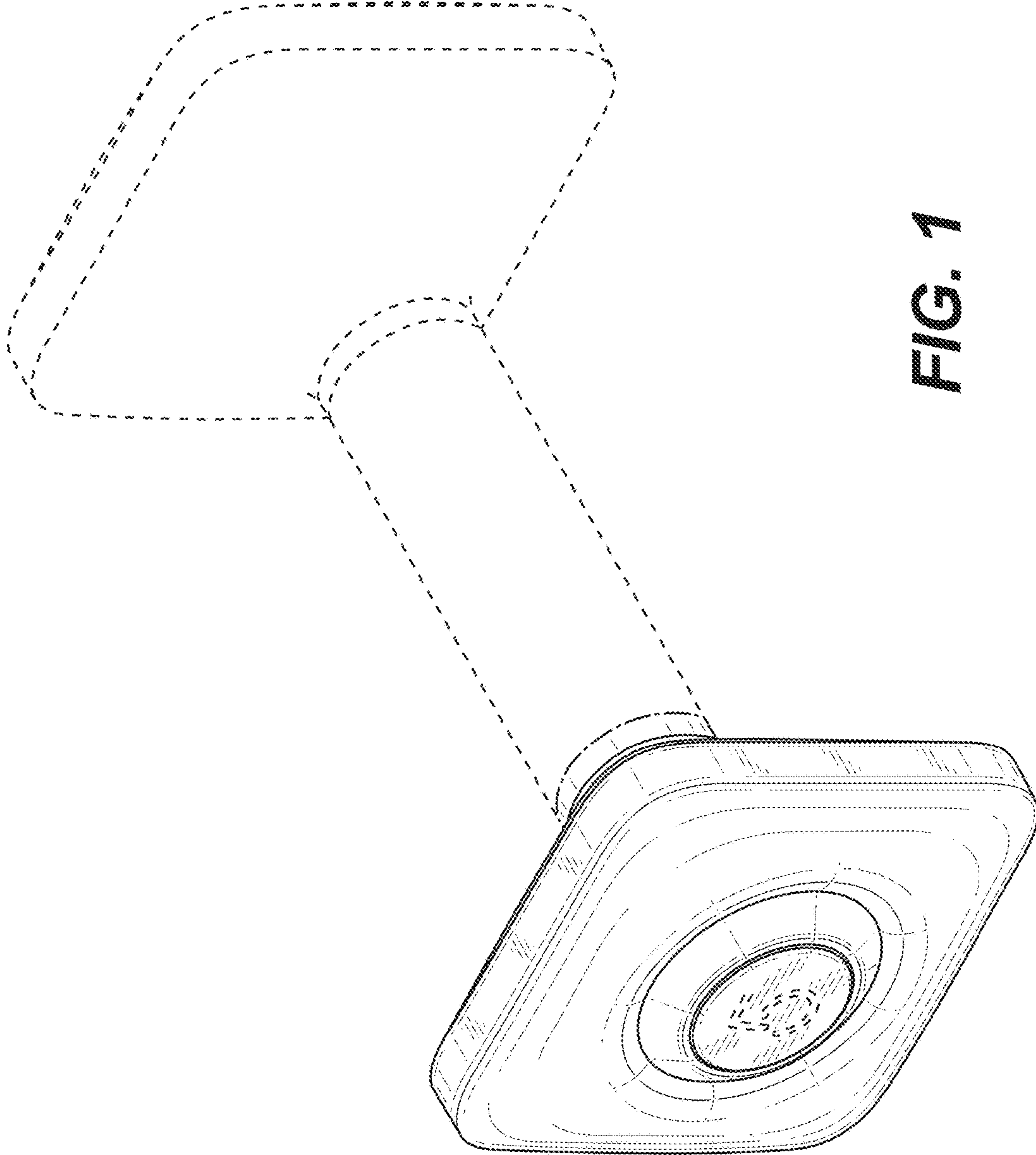


FIG. 1

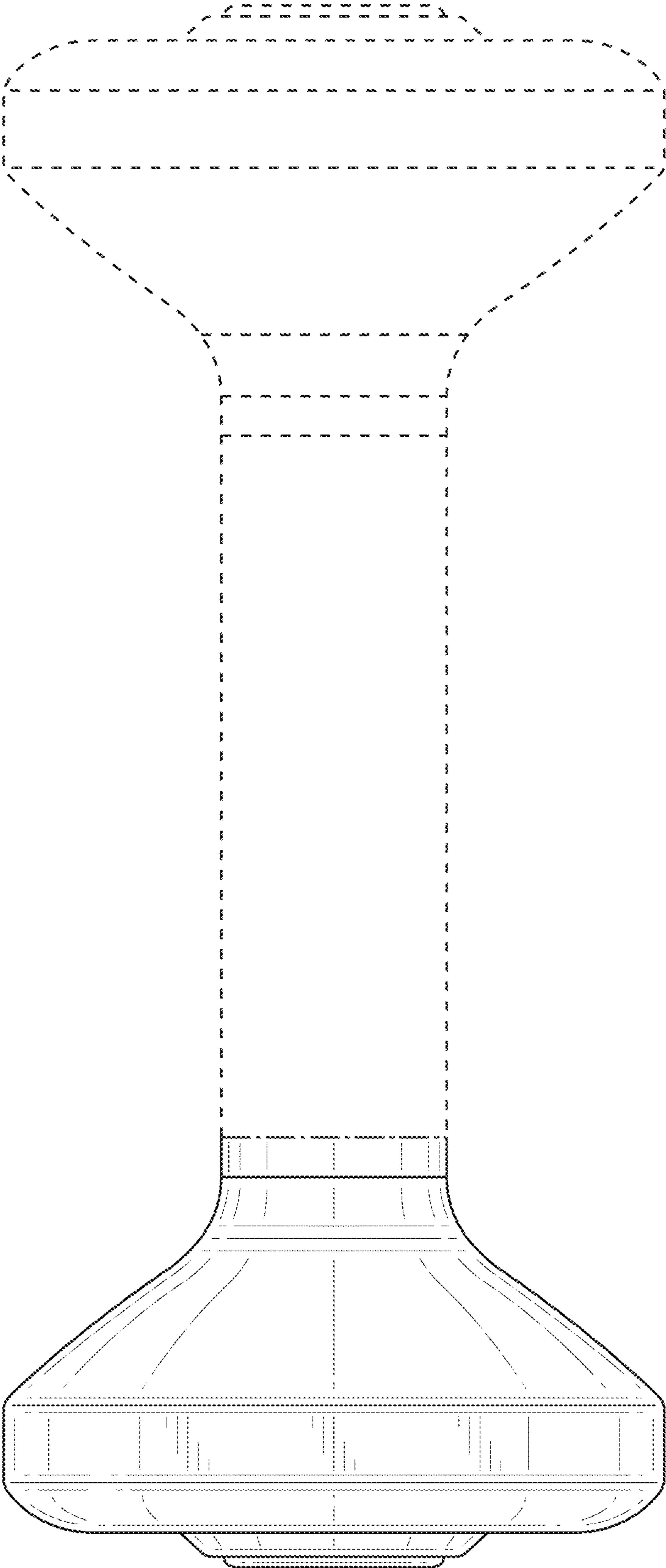


FIG. 2

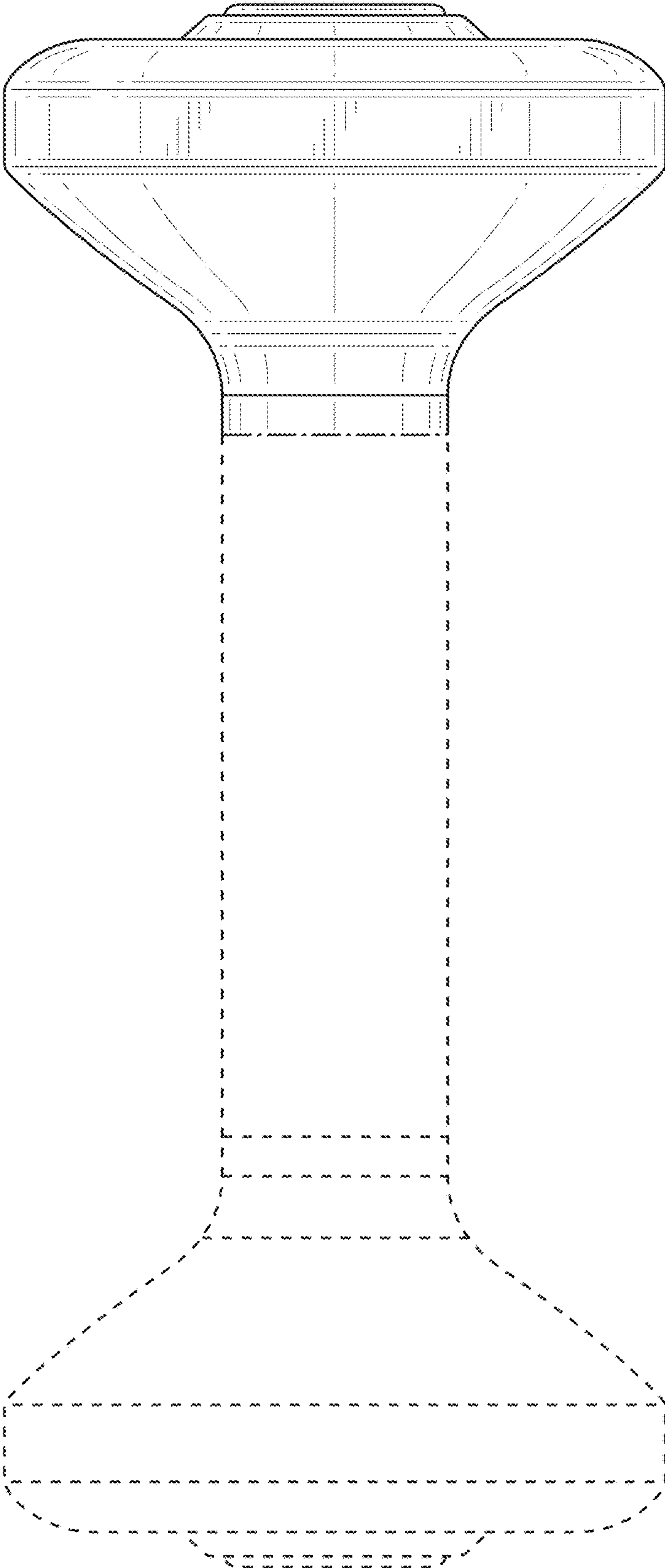


FIG. 3

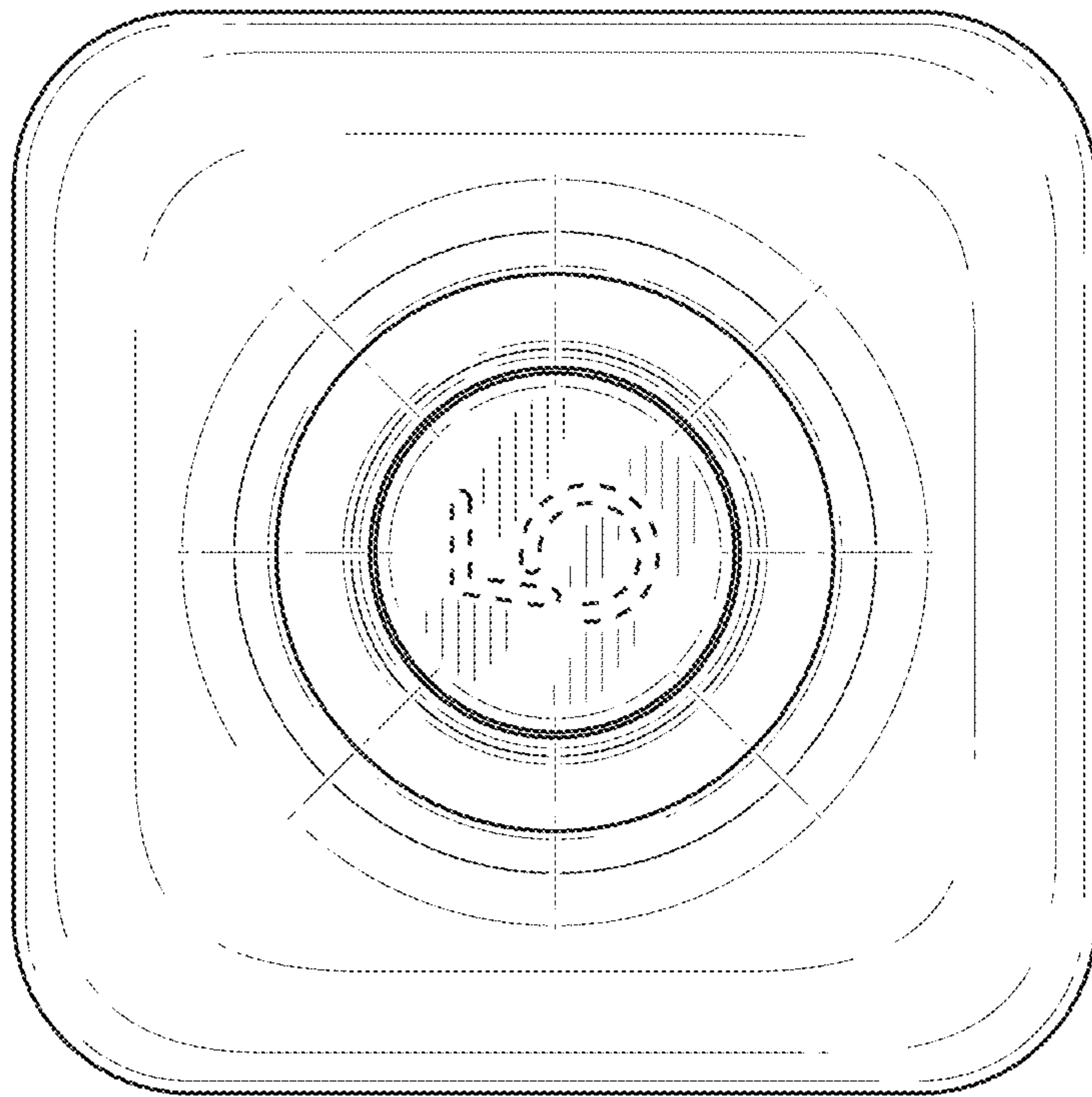


FIG. 4

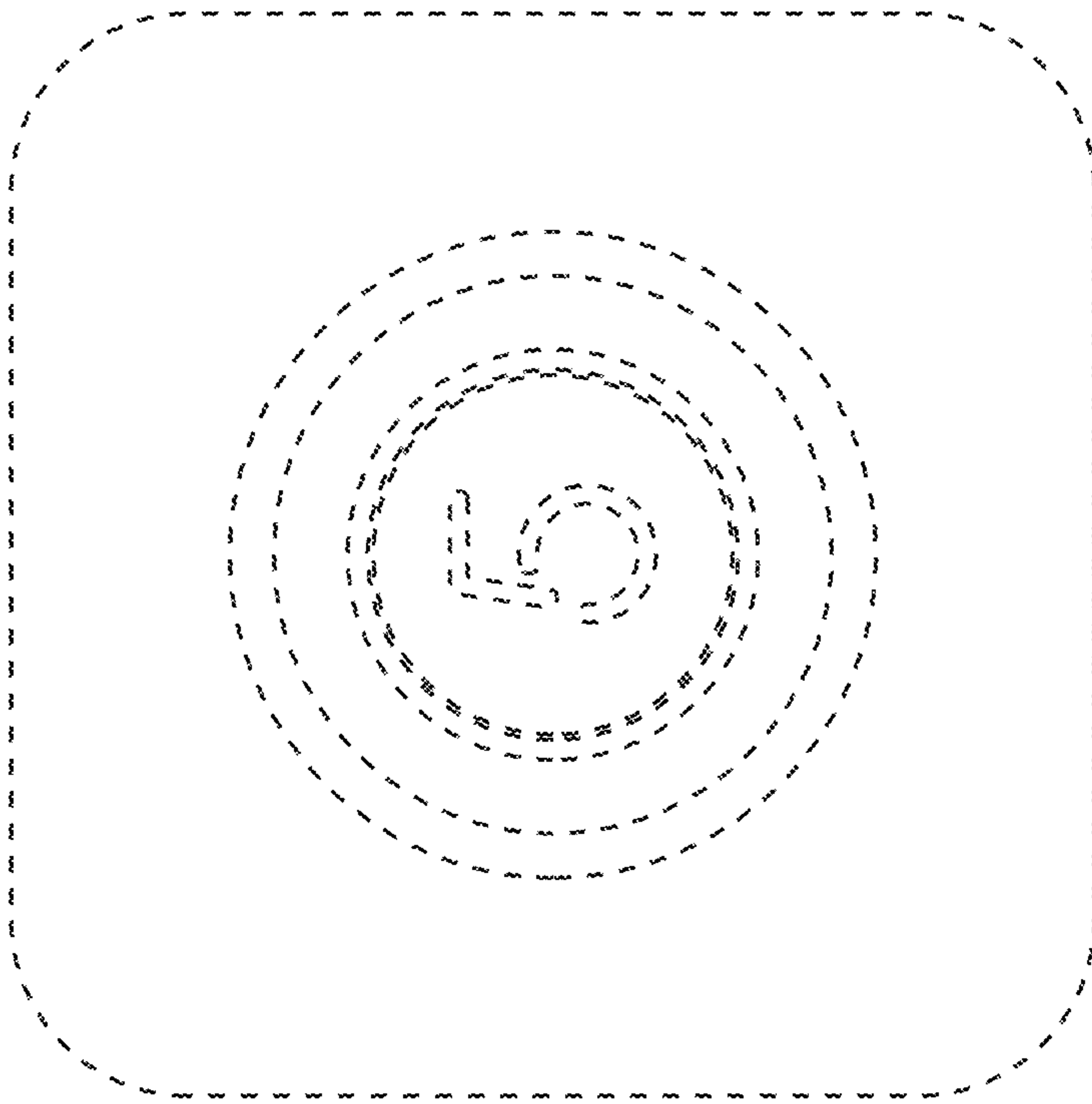


FIG. 5

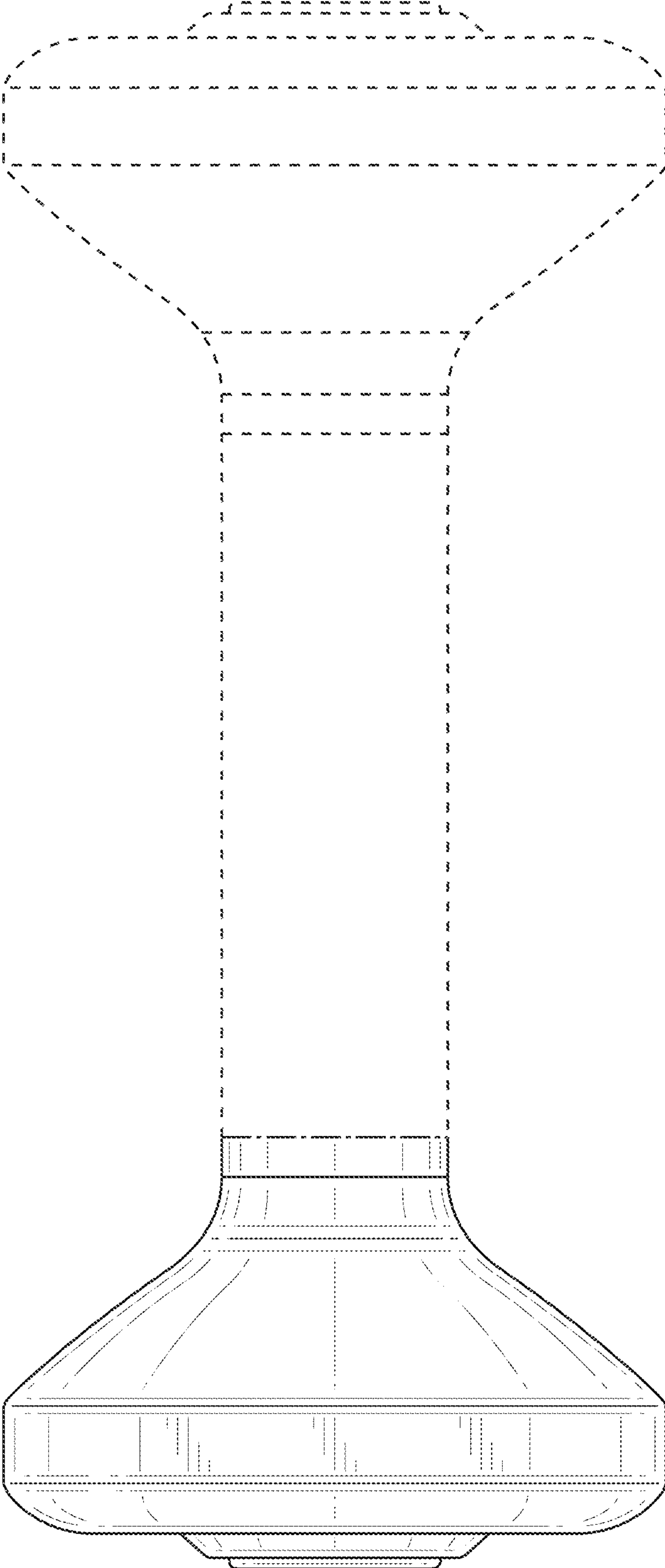


FIG. 6

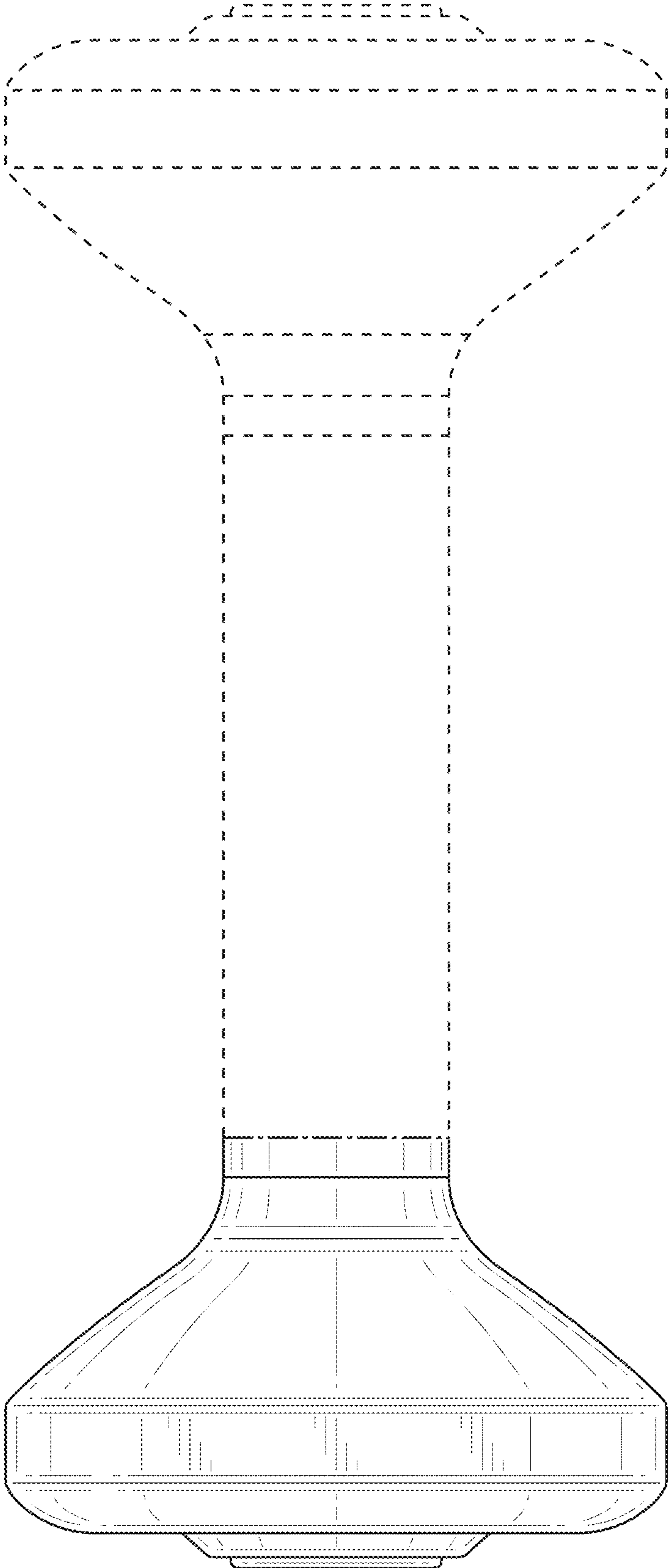


FIG. 7

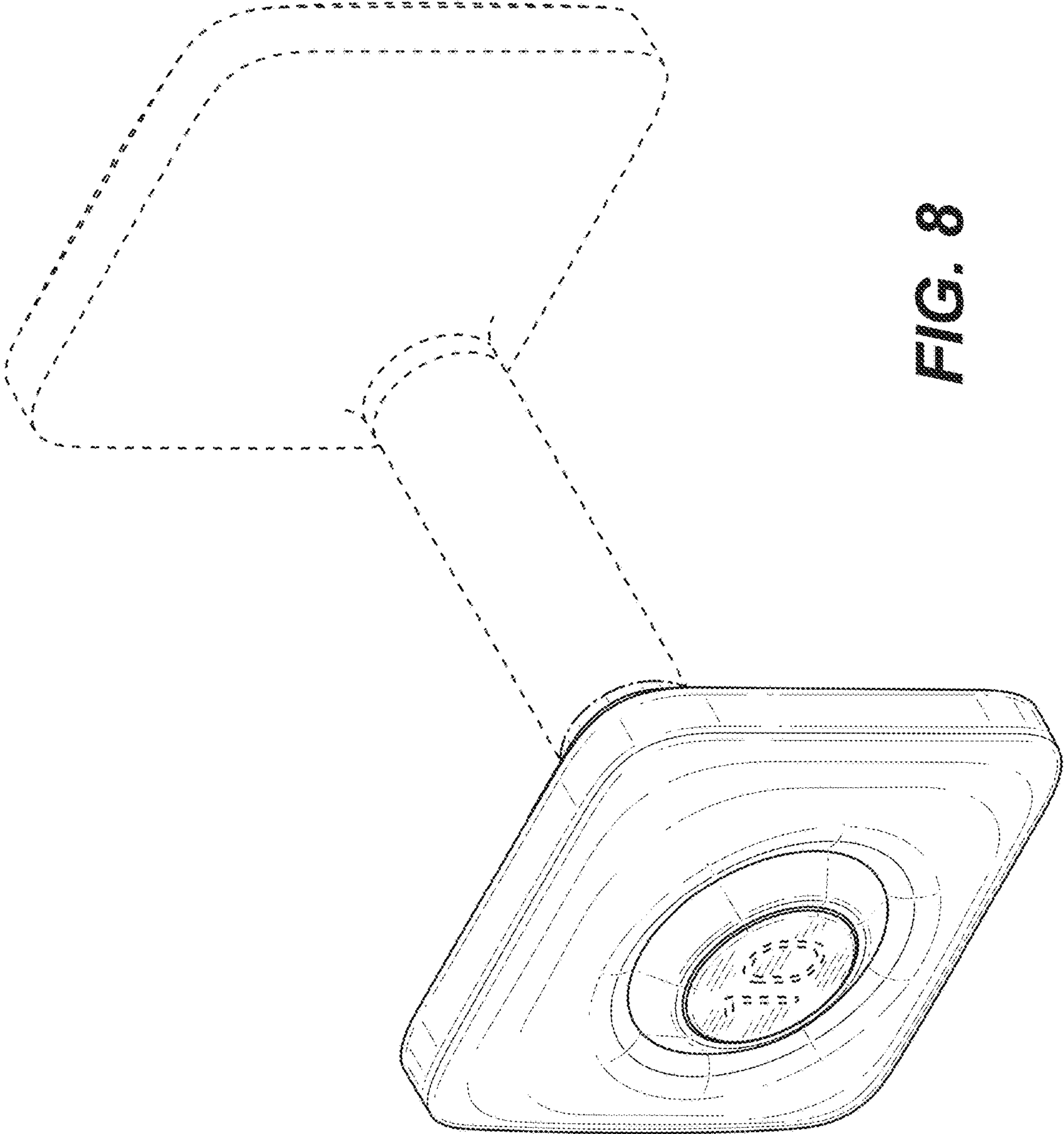


FIG. 8

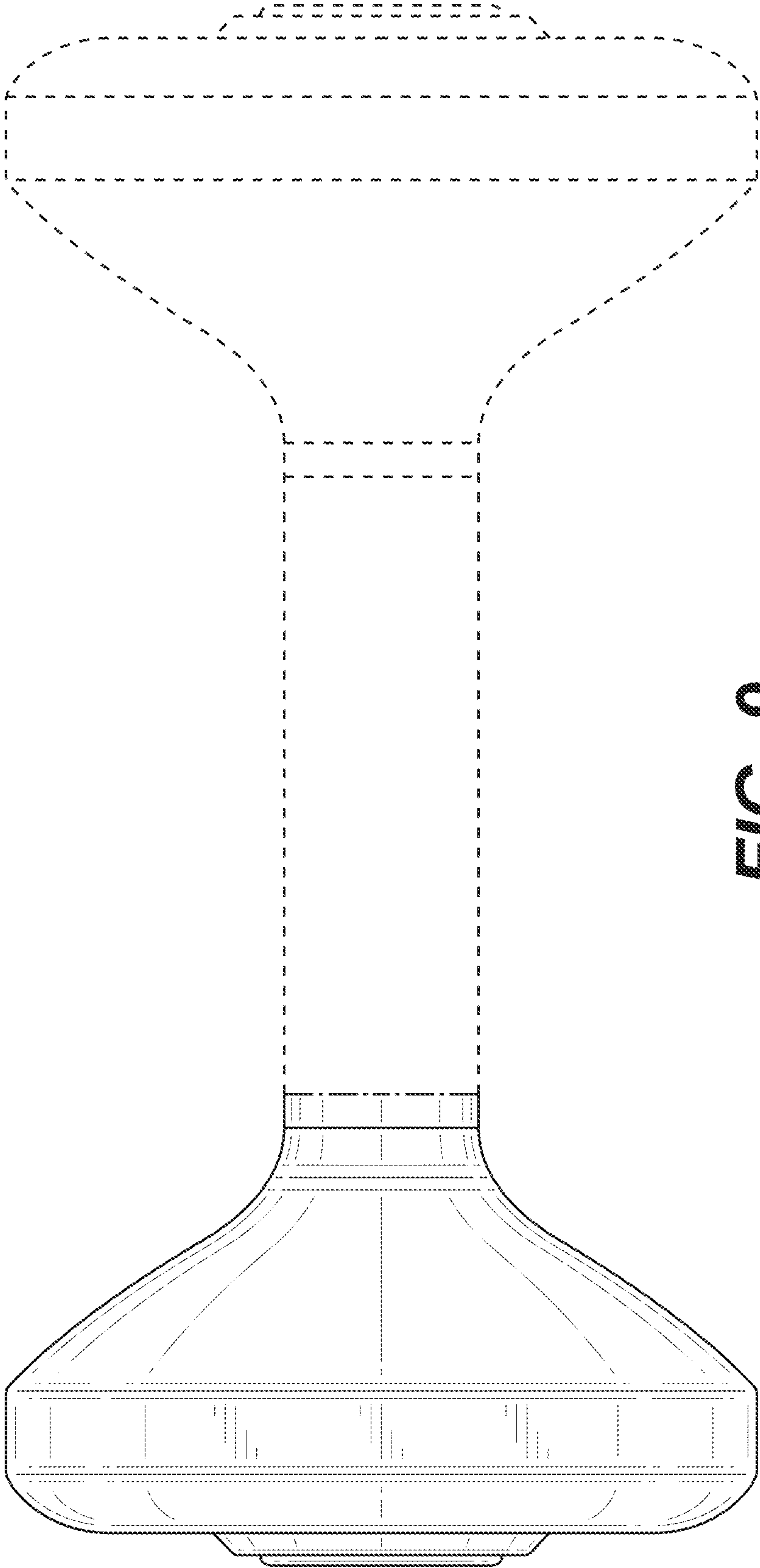


FIG. 9

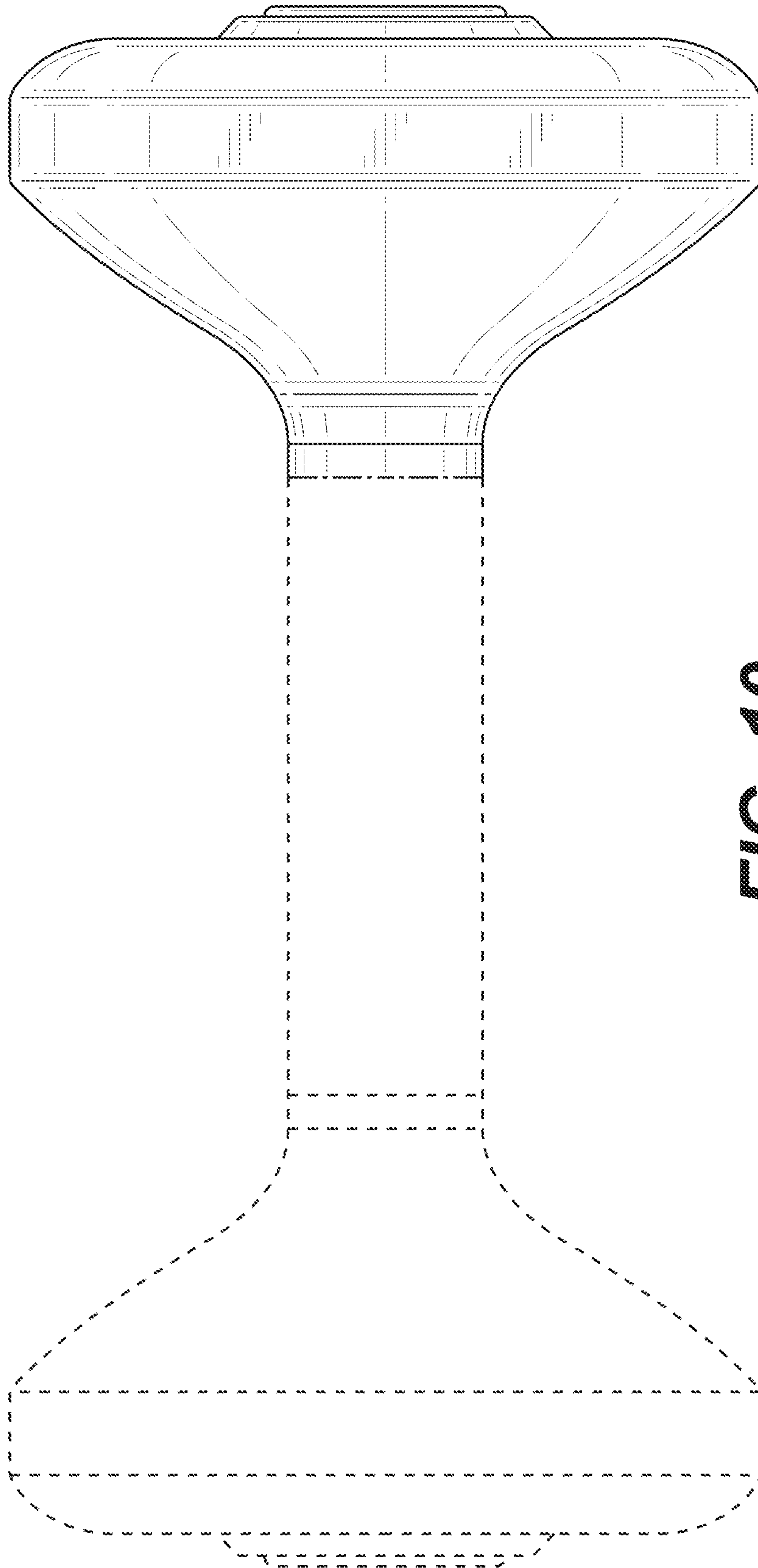


FIG. 10

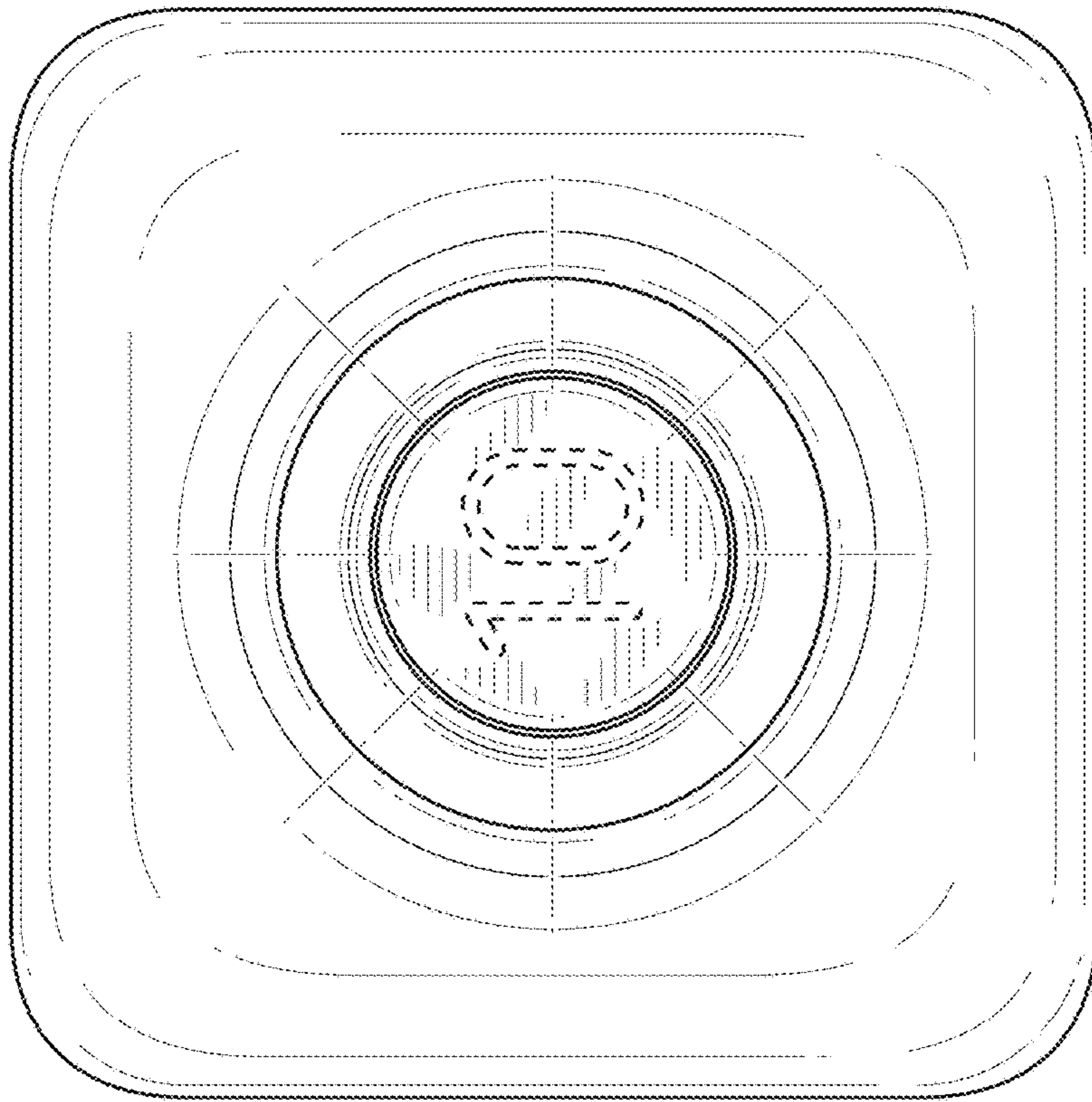


FIG. 11

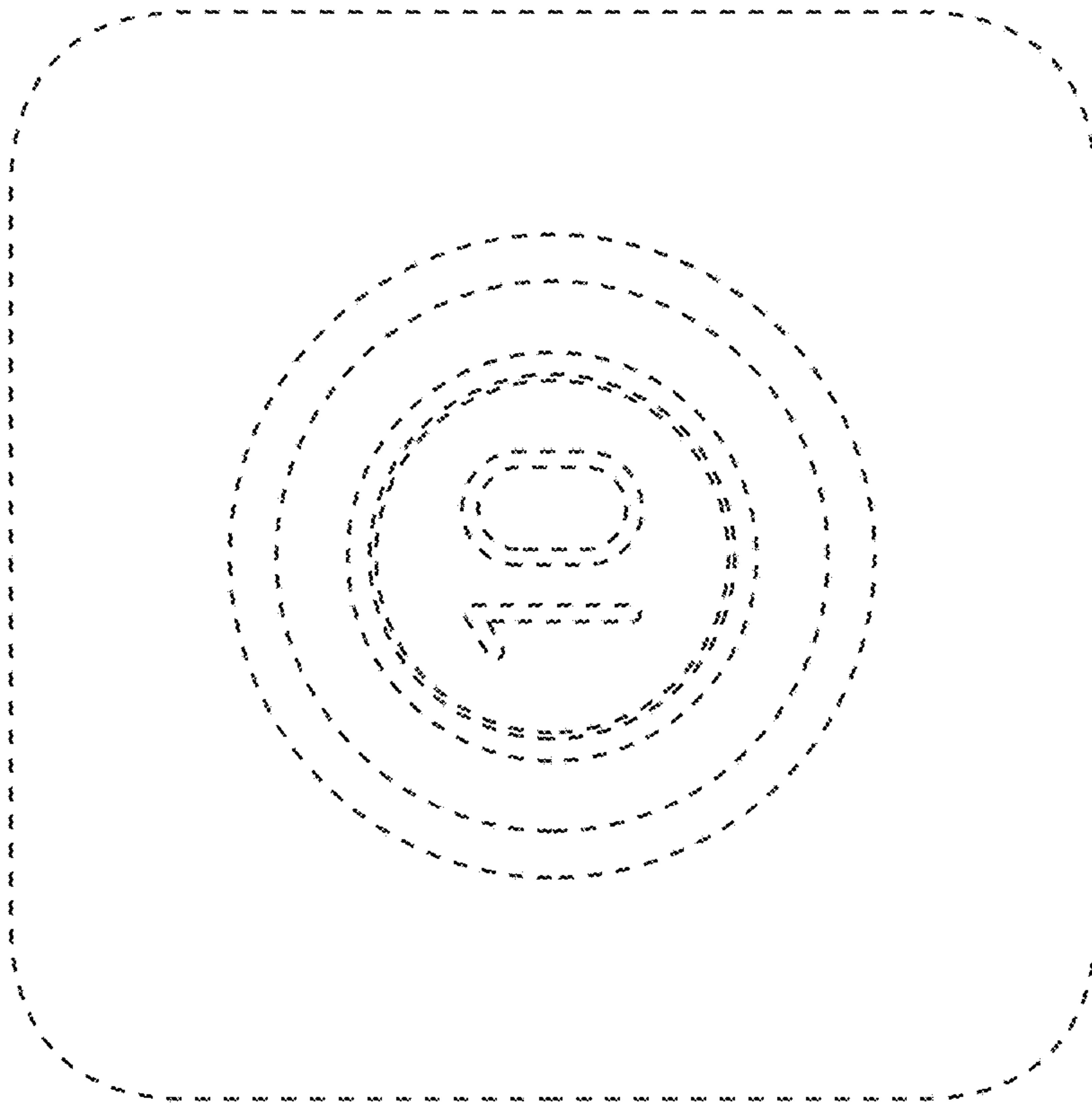


FIG. 12

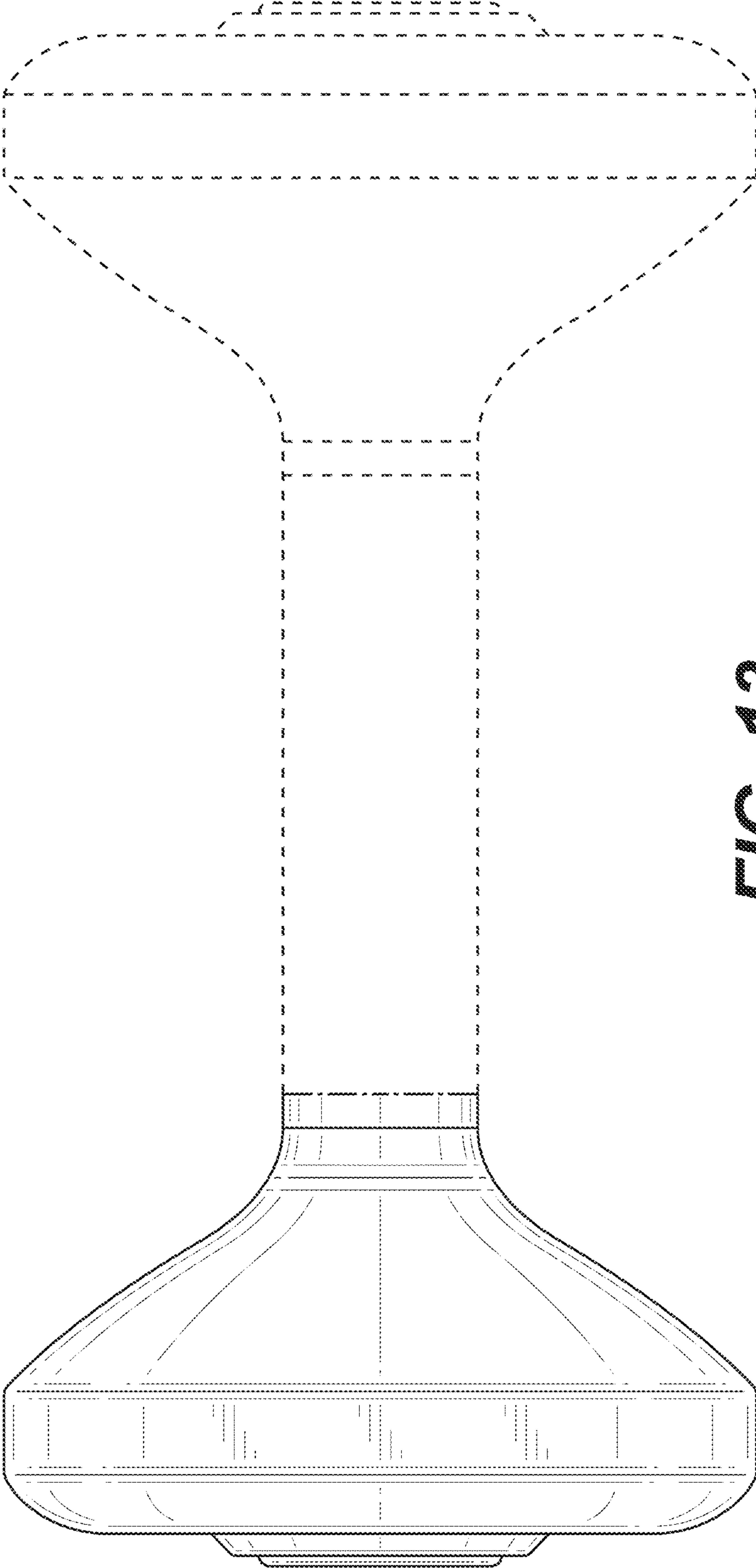


FIG. 13

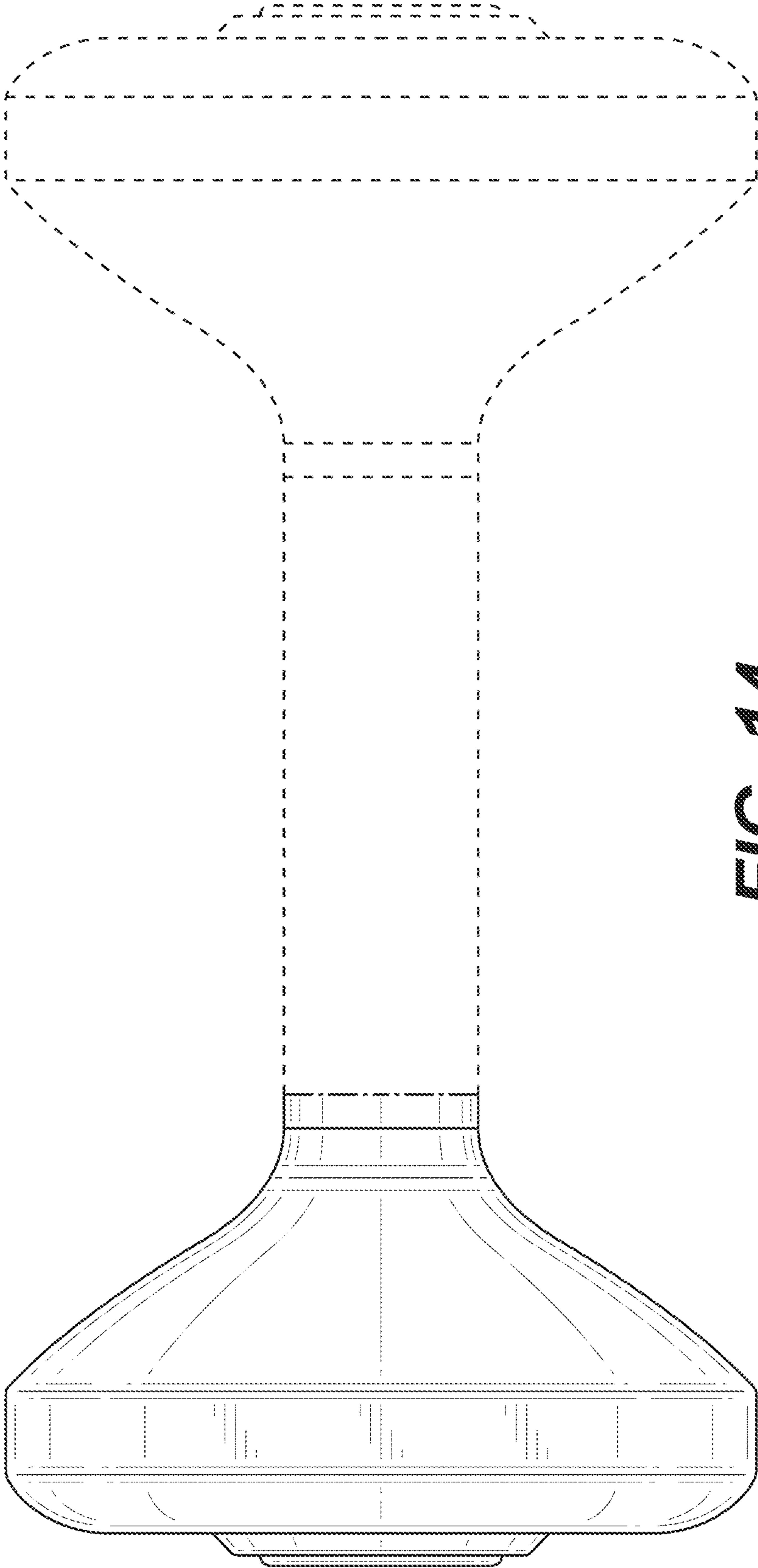


FIG. 14

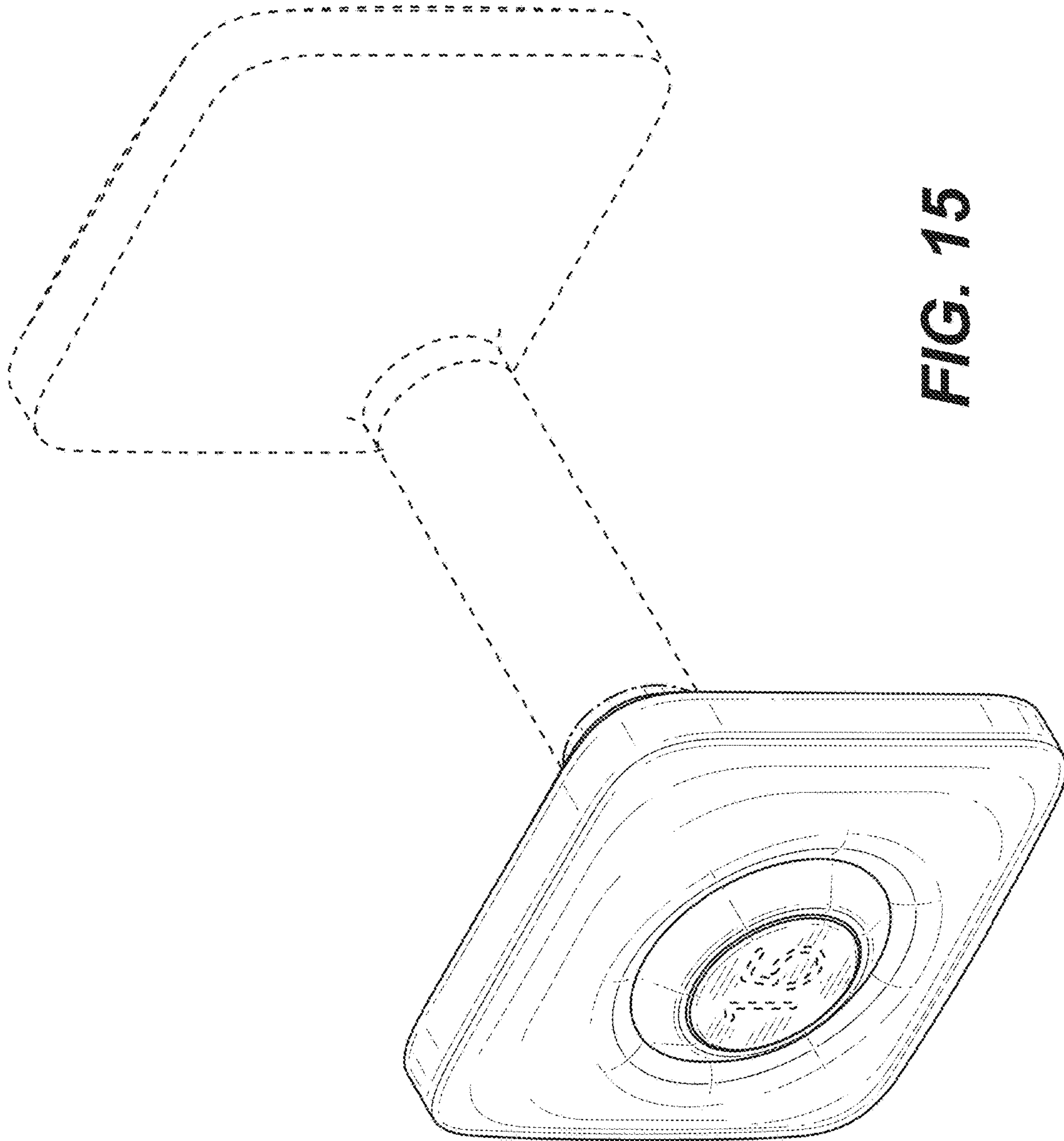


FIG. 15

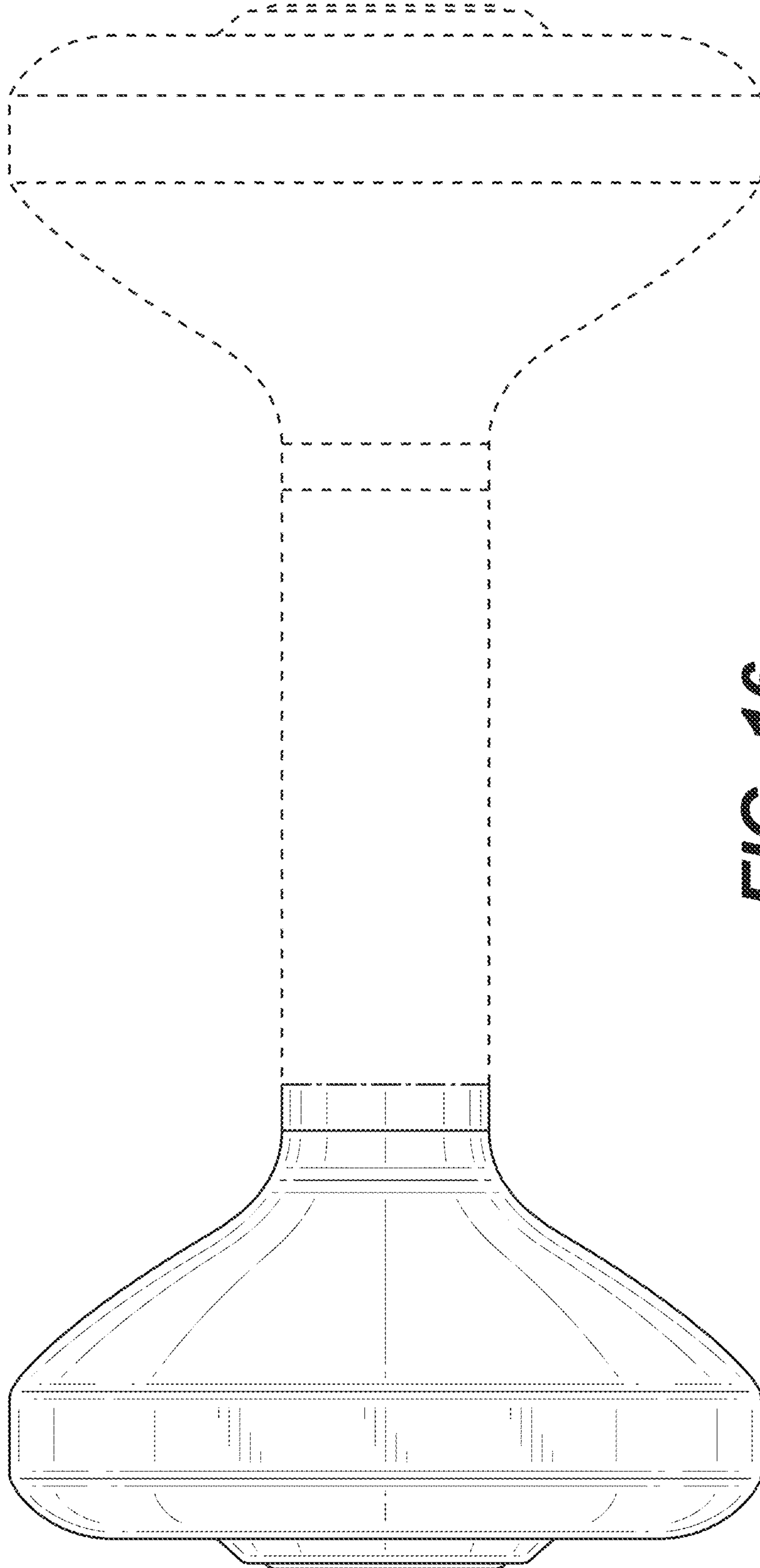


FIG. 16

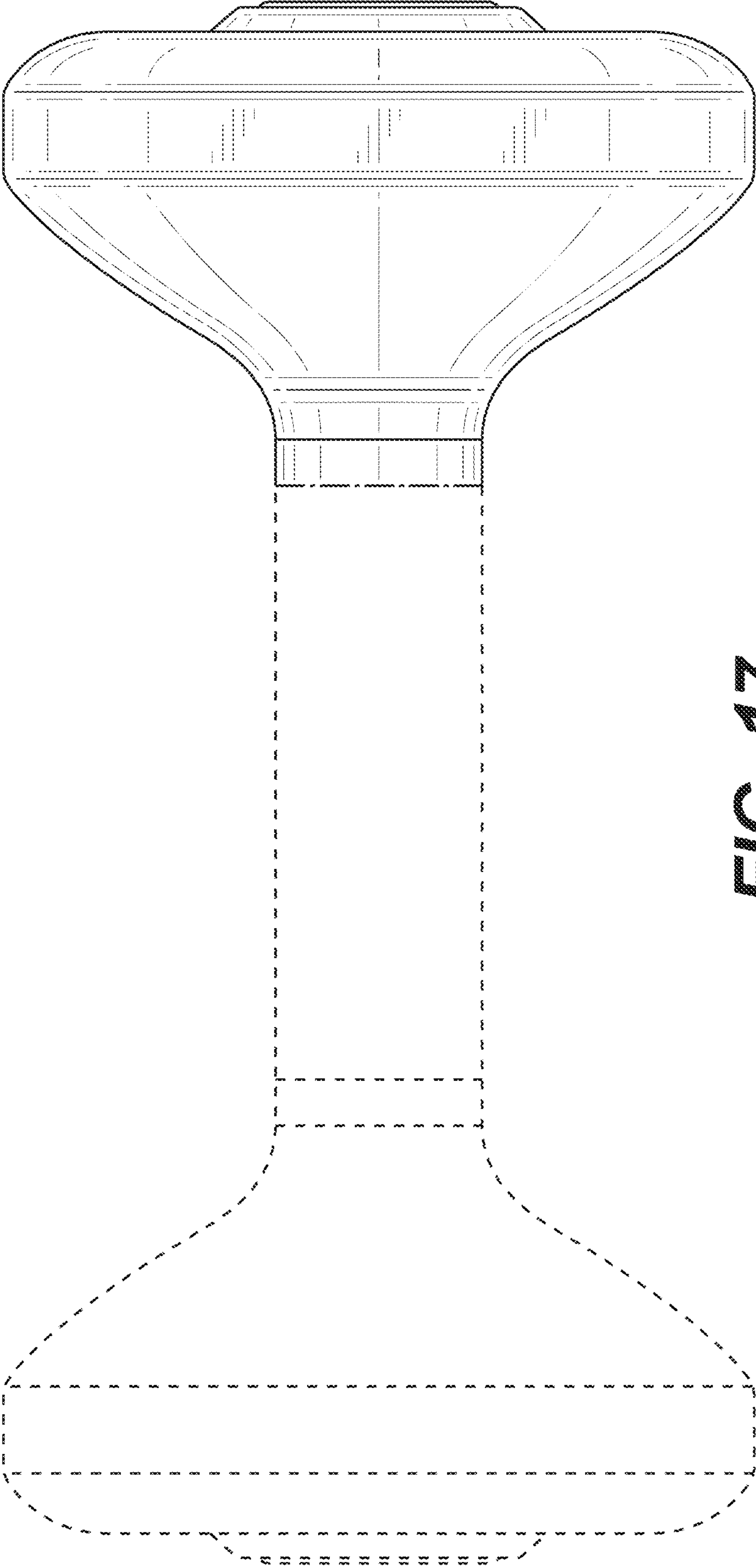


FIG. 17

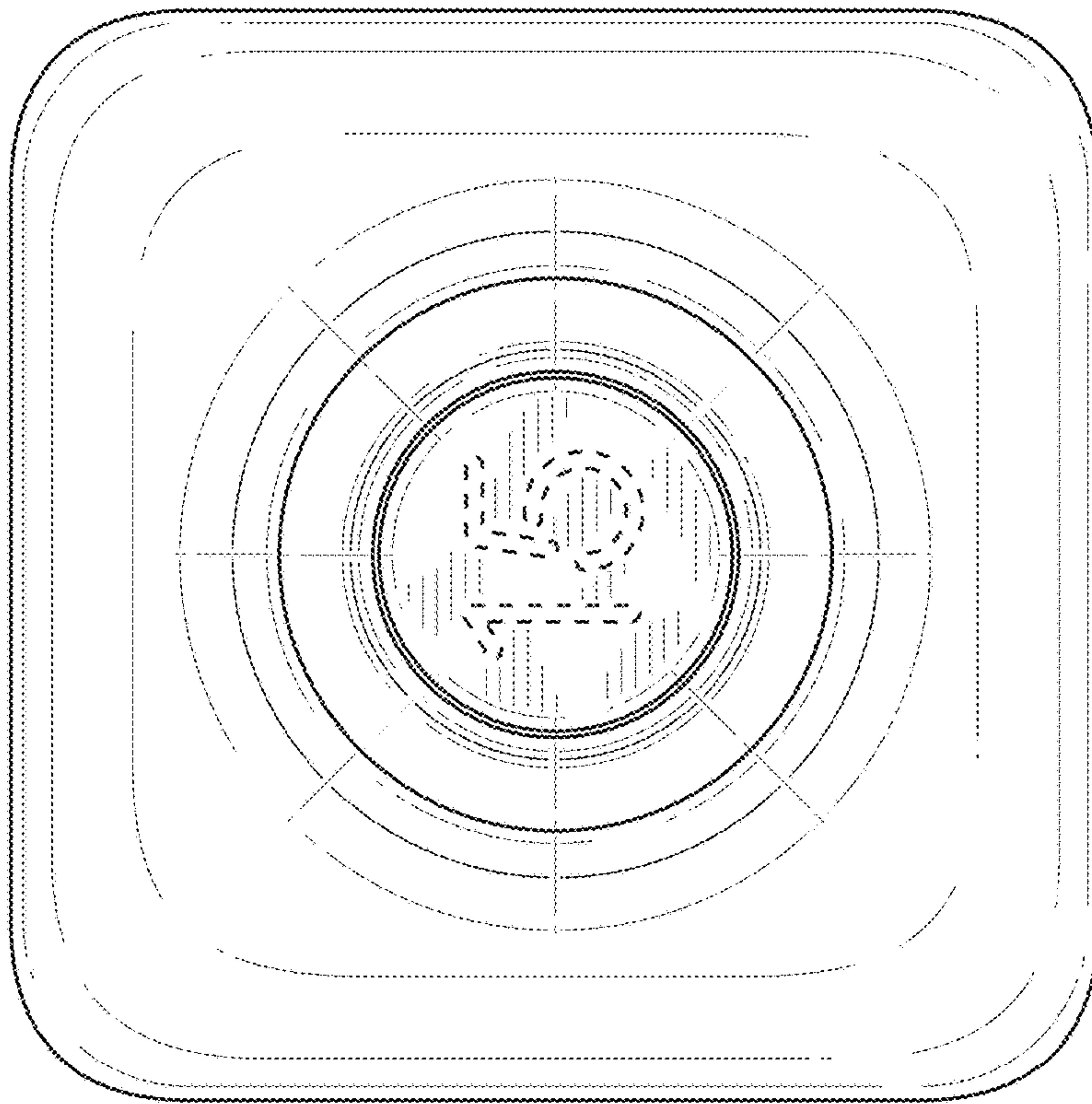


FIG. 18

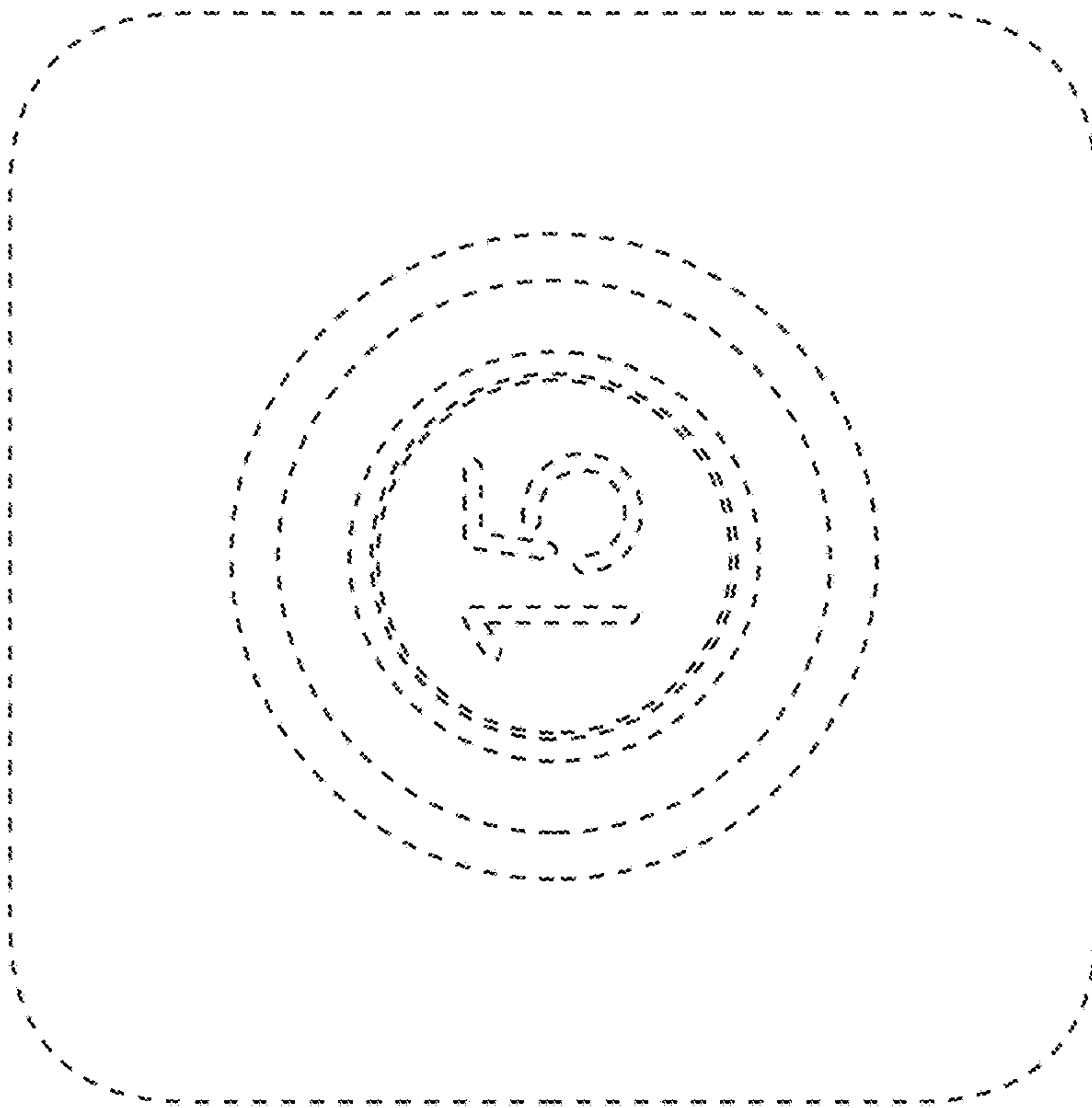


FIG. 19

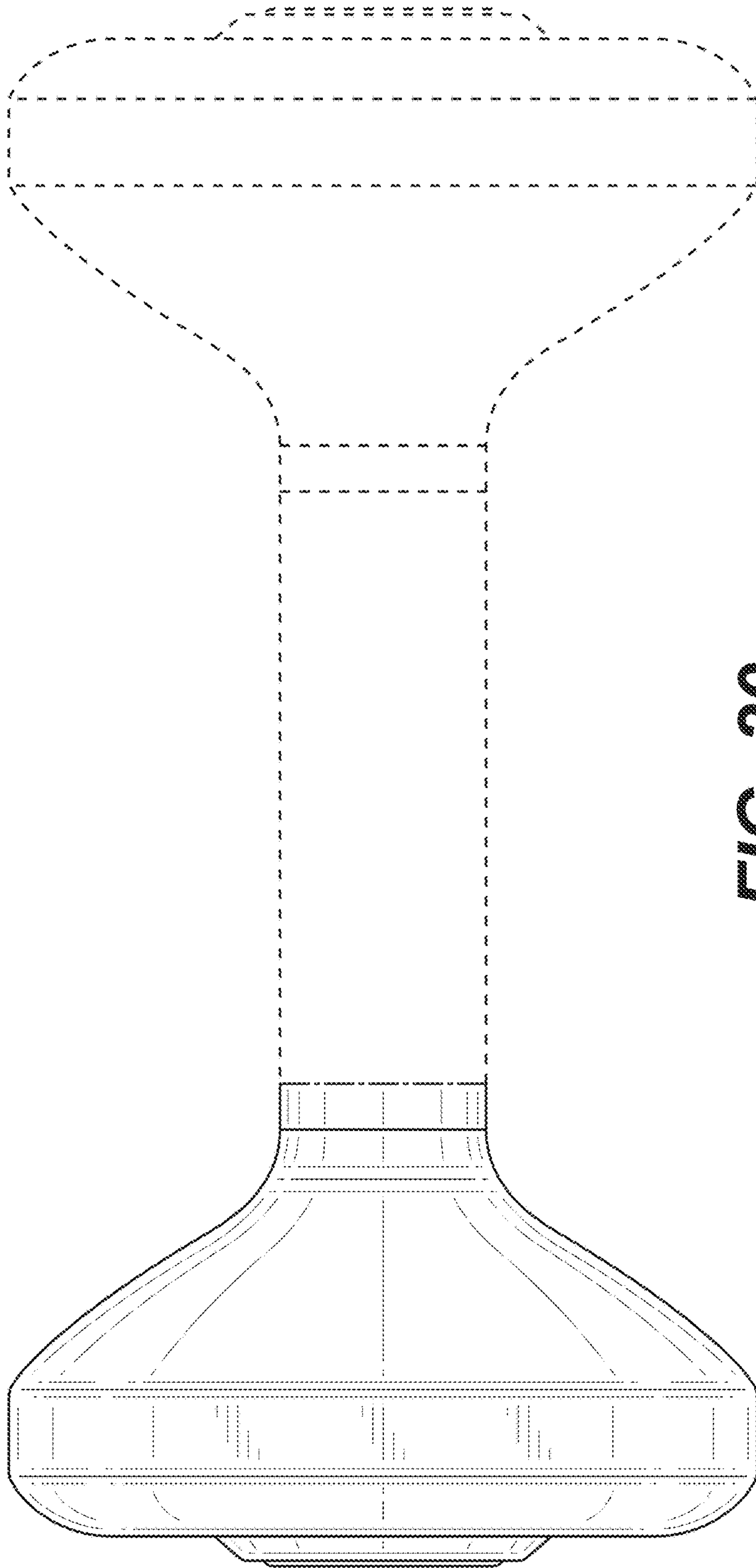


FIG. 20

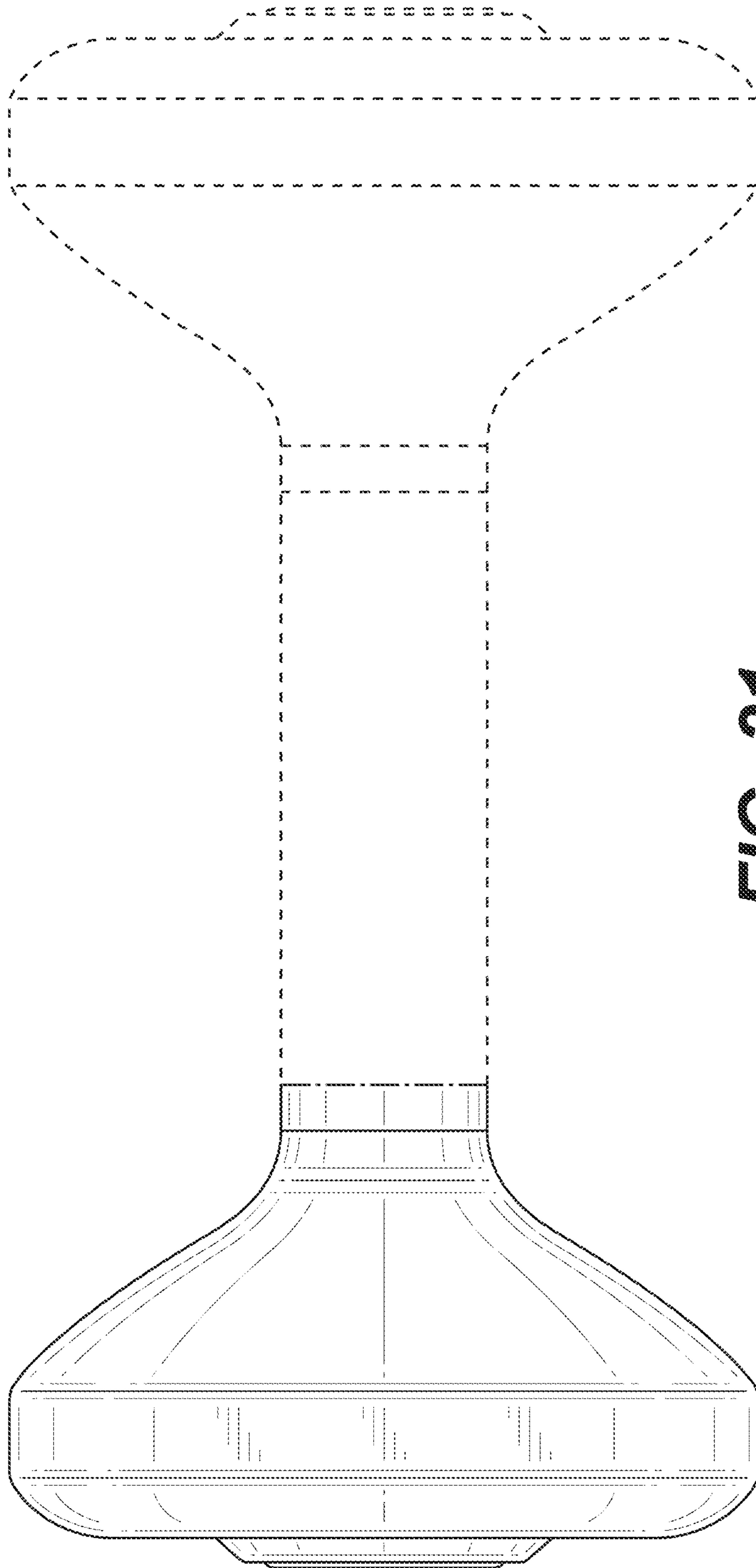


FIG. 21

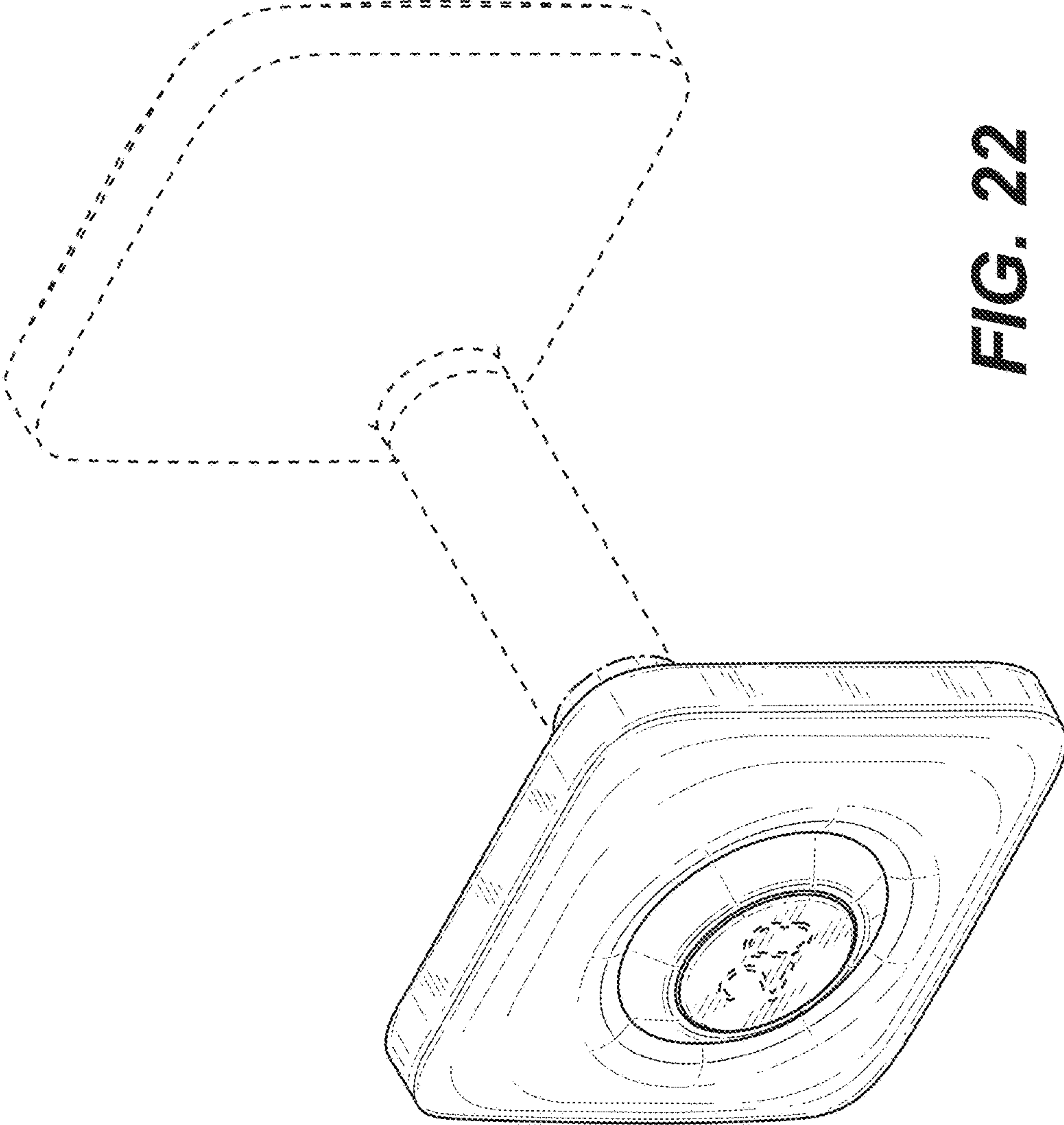


FIG. 22

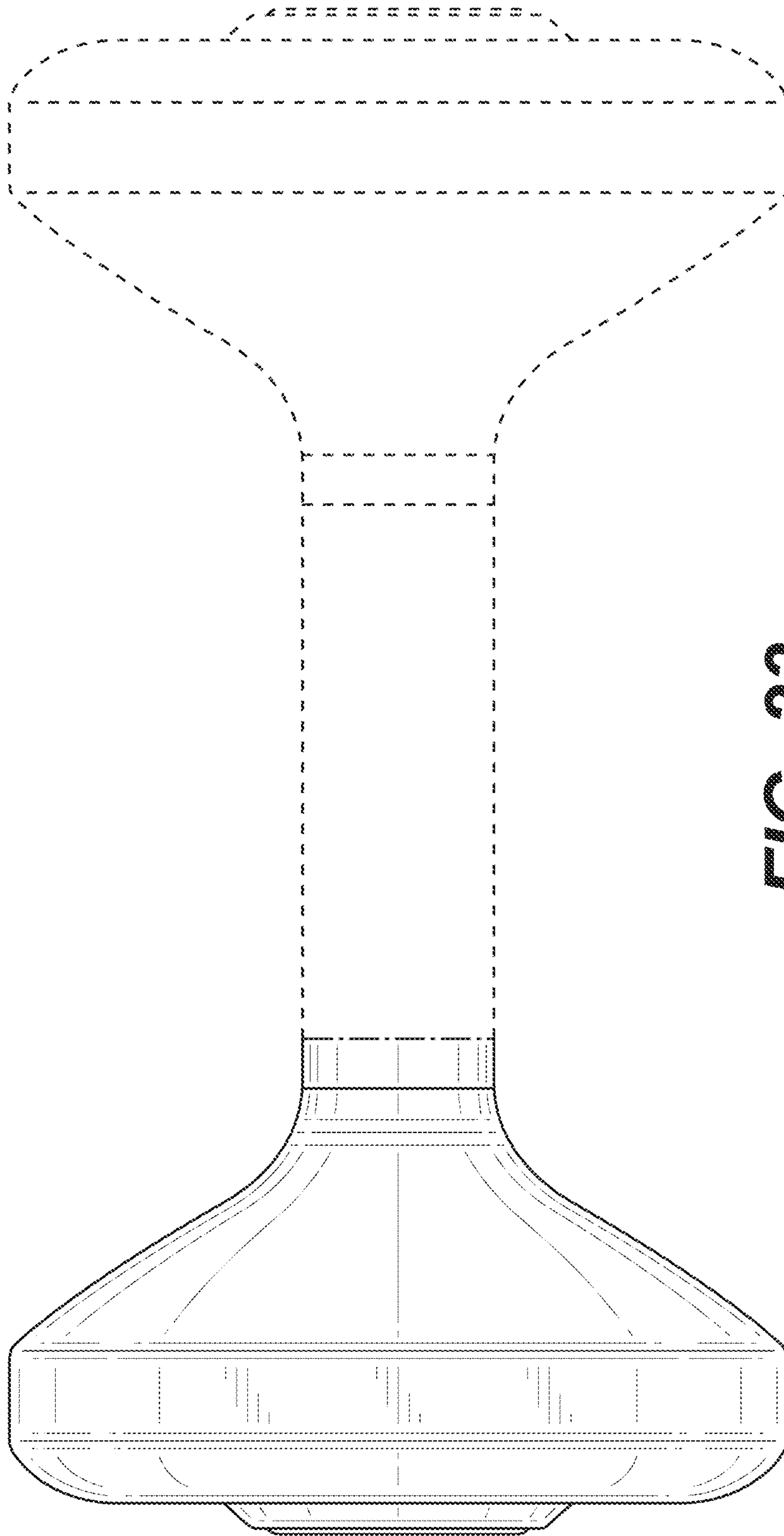


FIG. 23

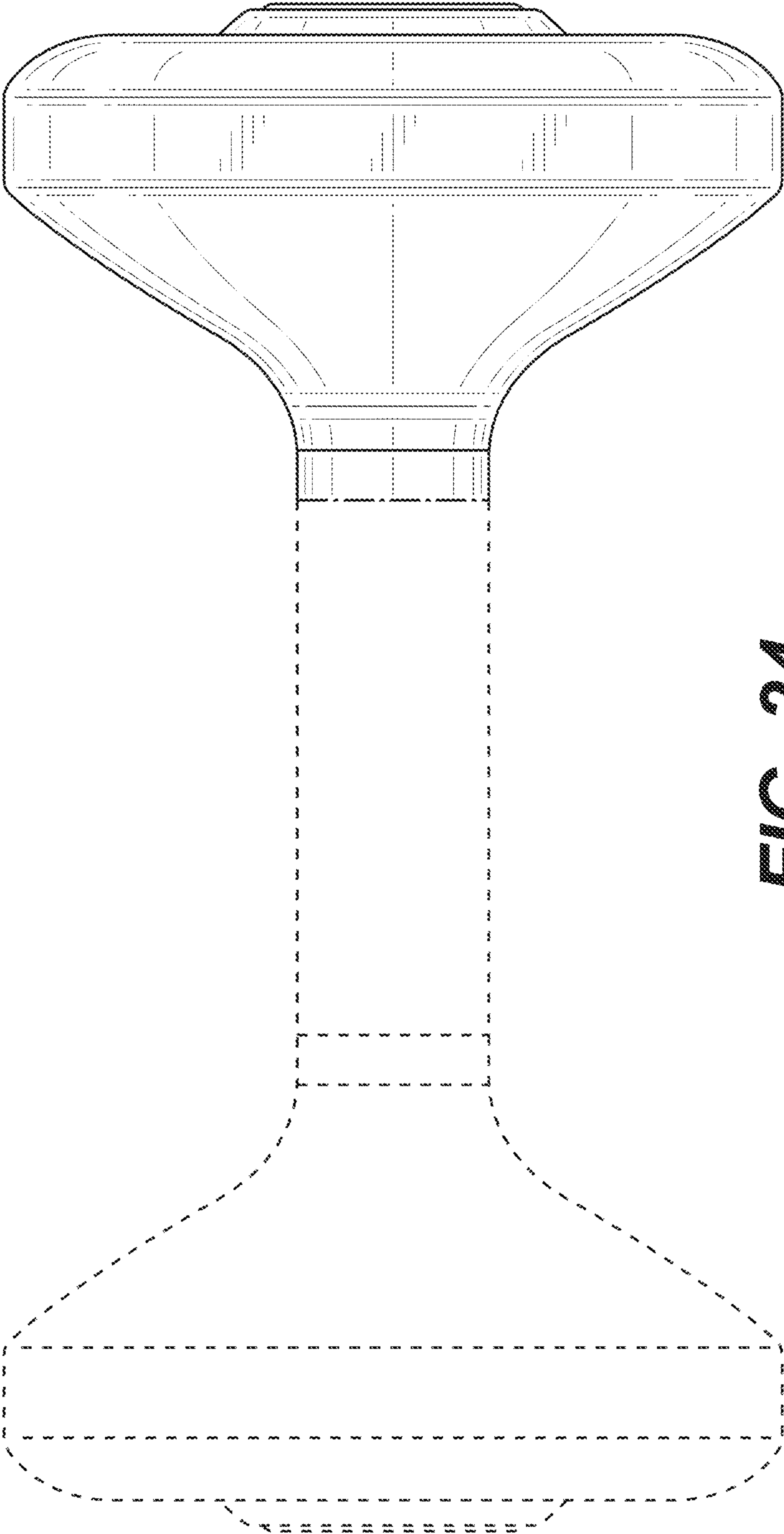


FIG. 24

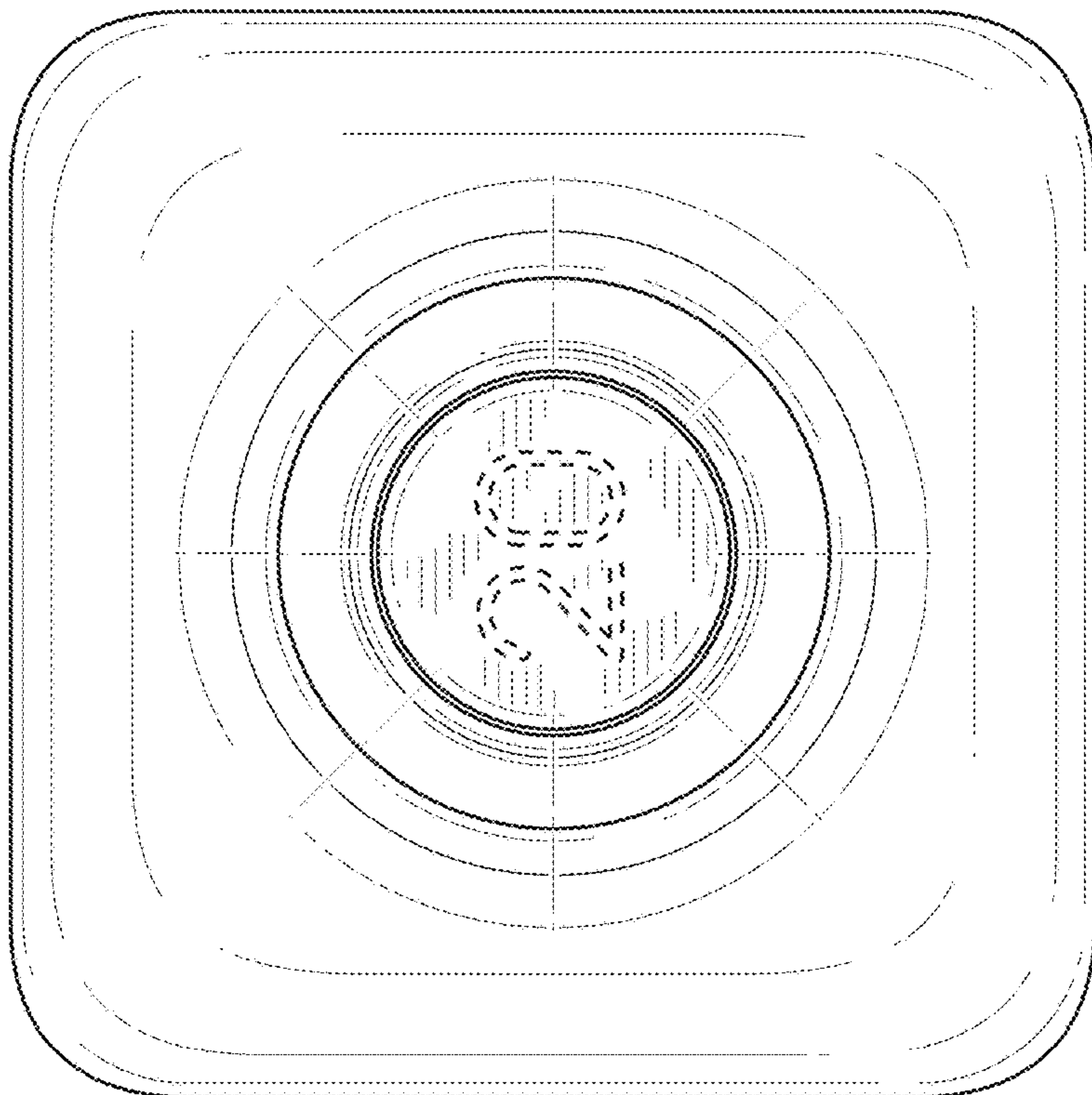


FIG. 25

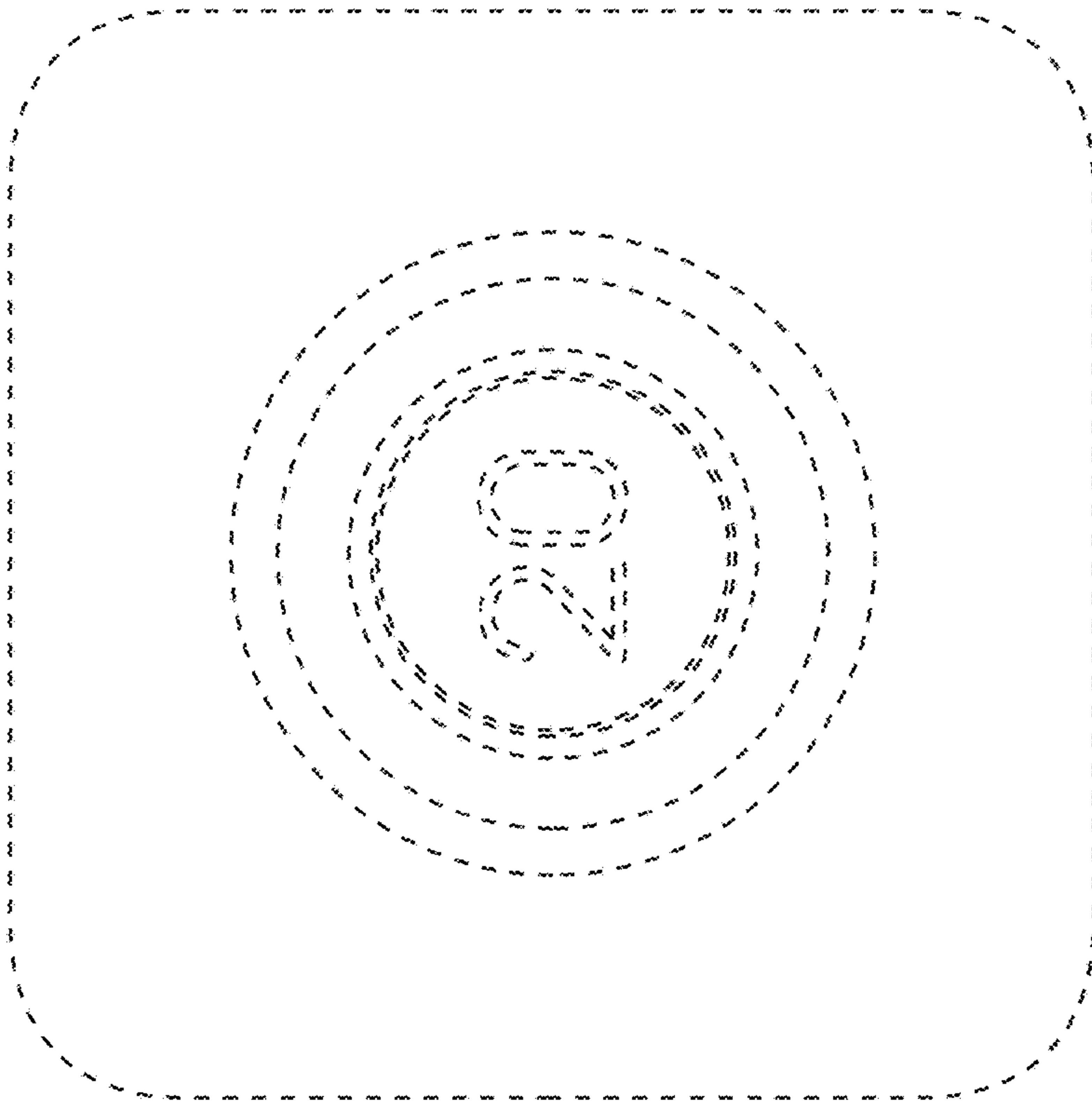


FIG. 26

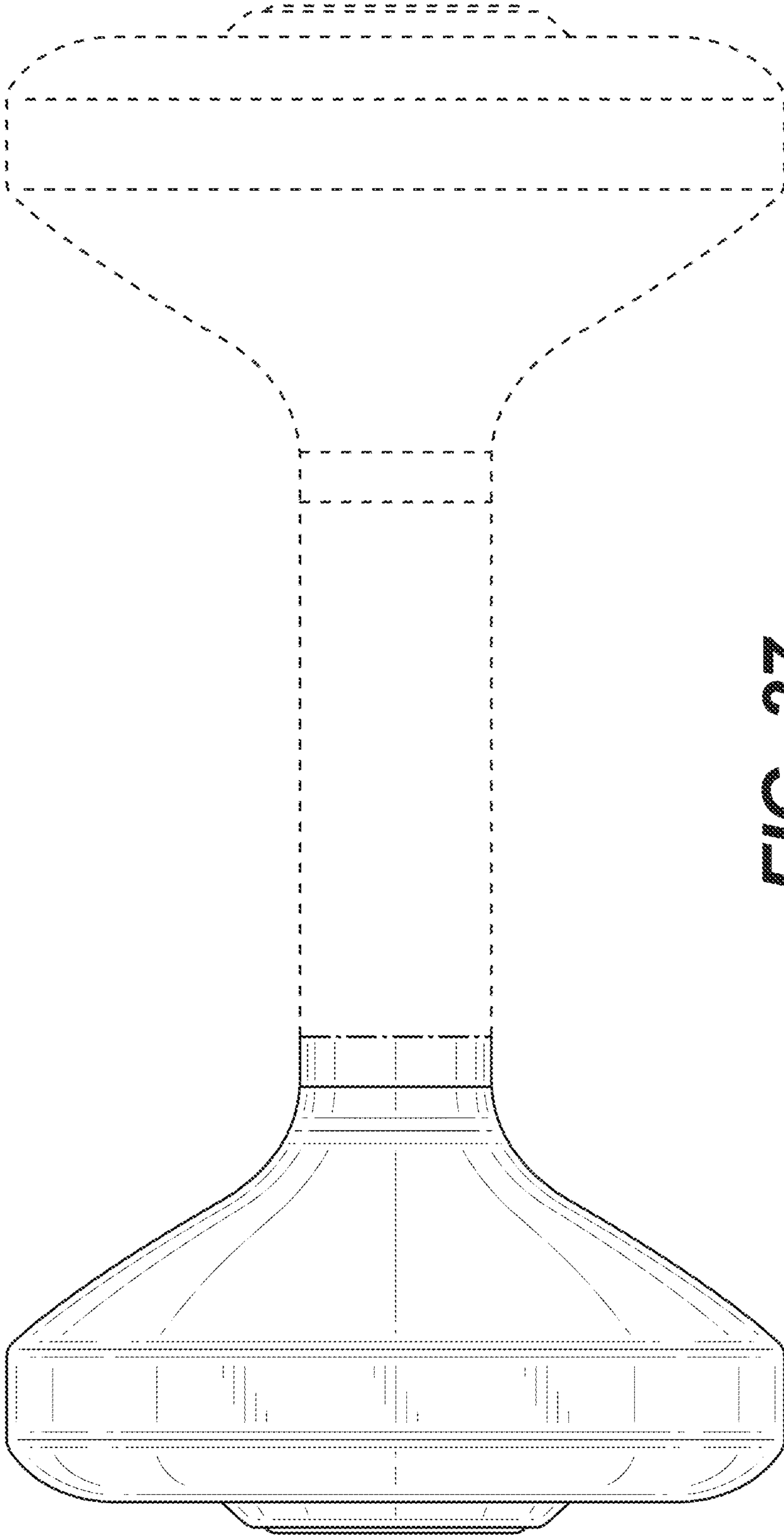


FIG. 27

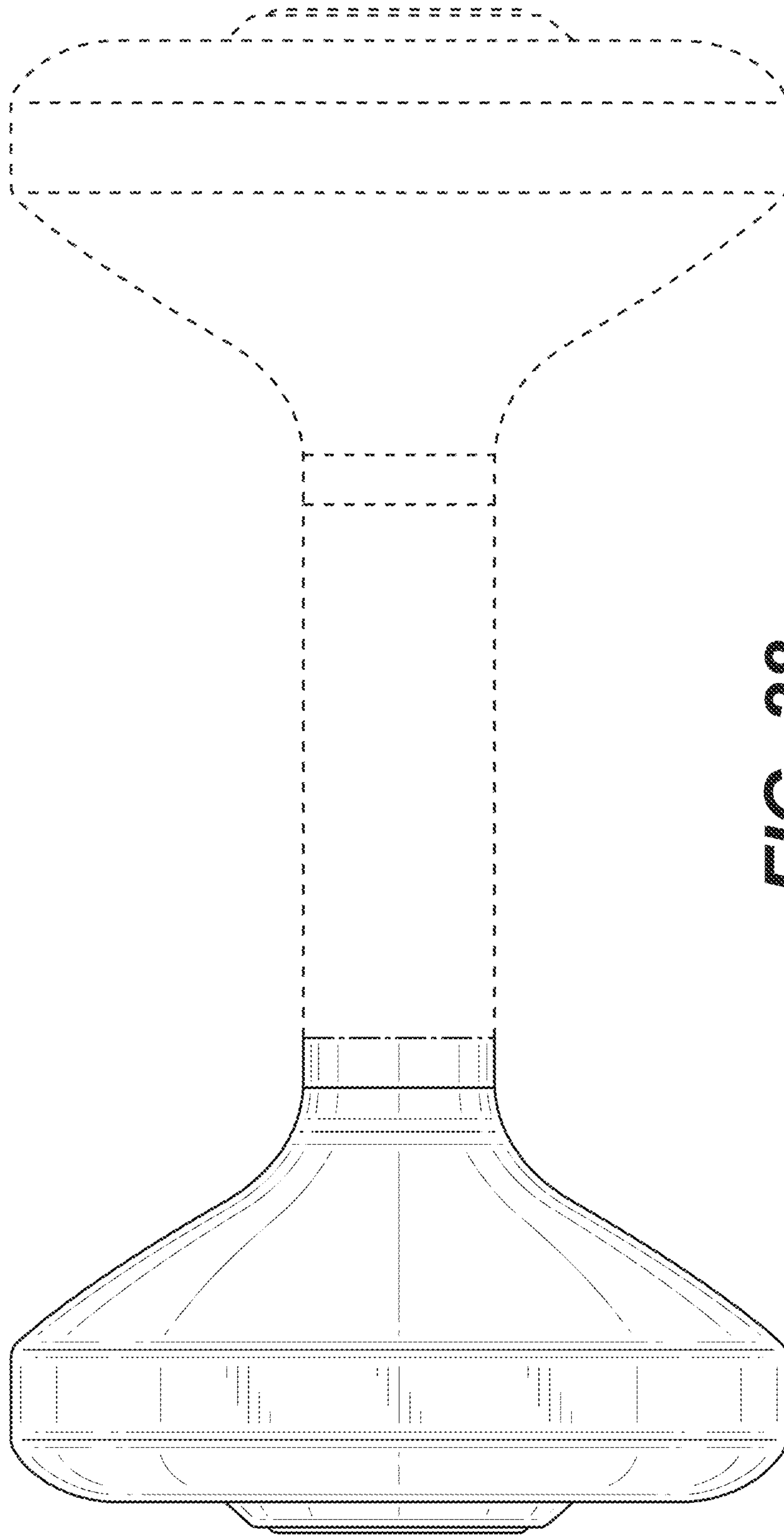


FIG. 28

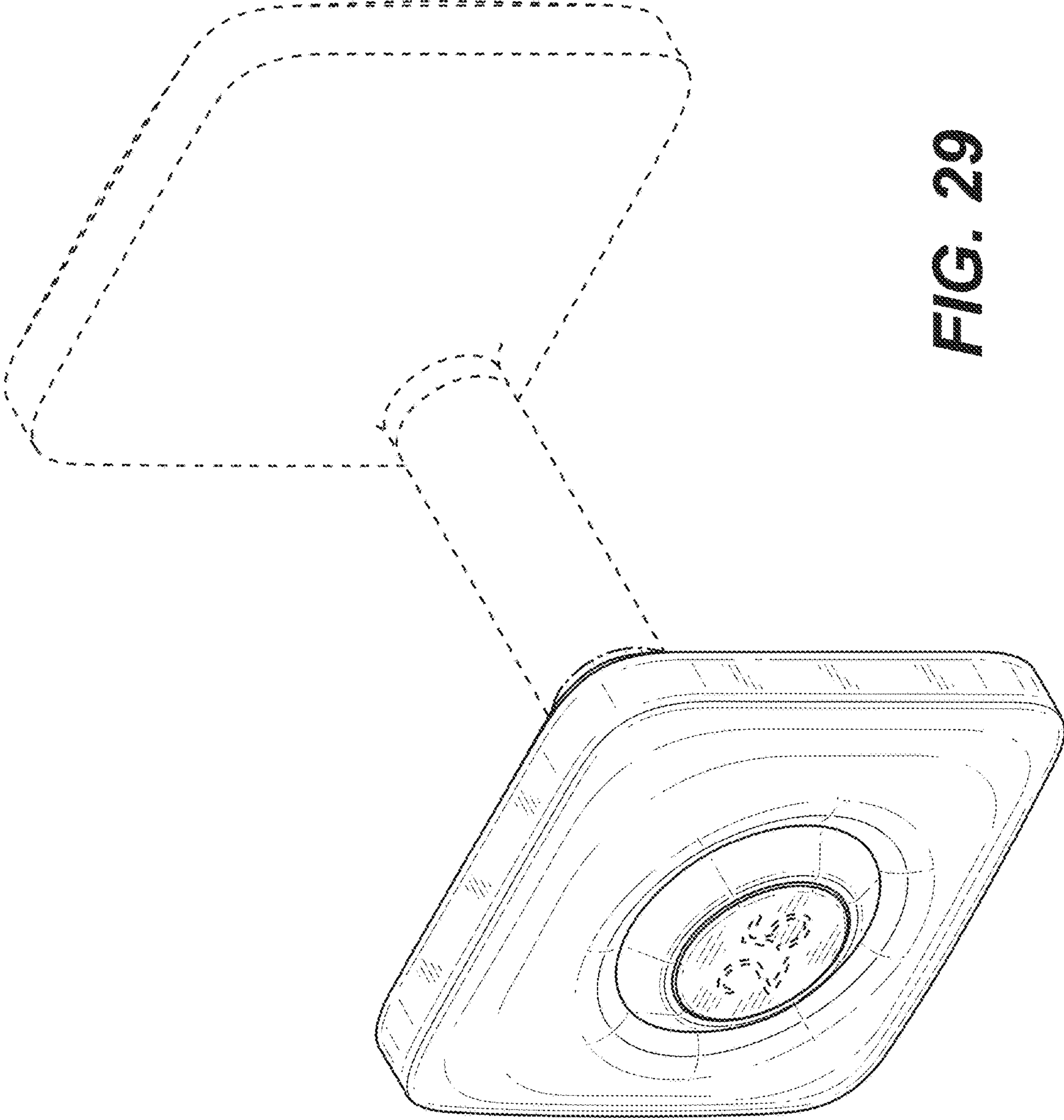


FIG. 29

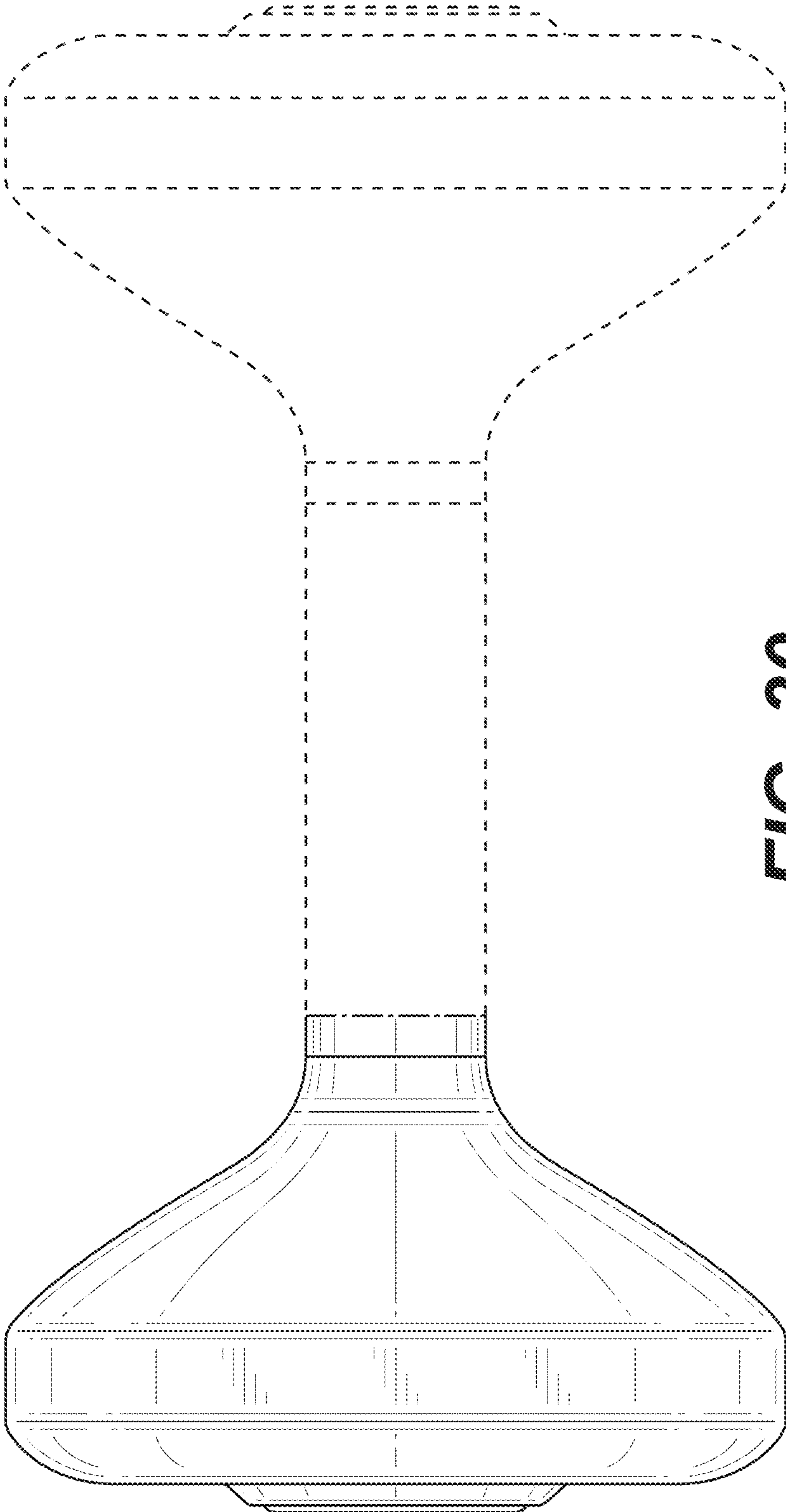


FIG. 30

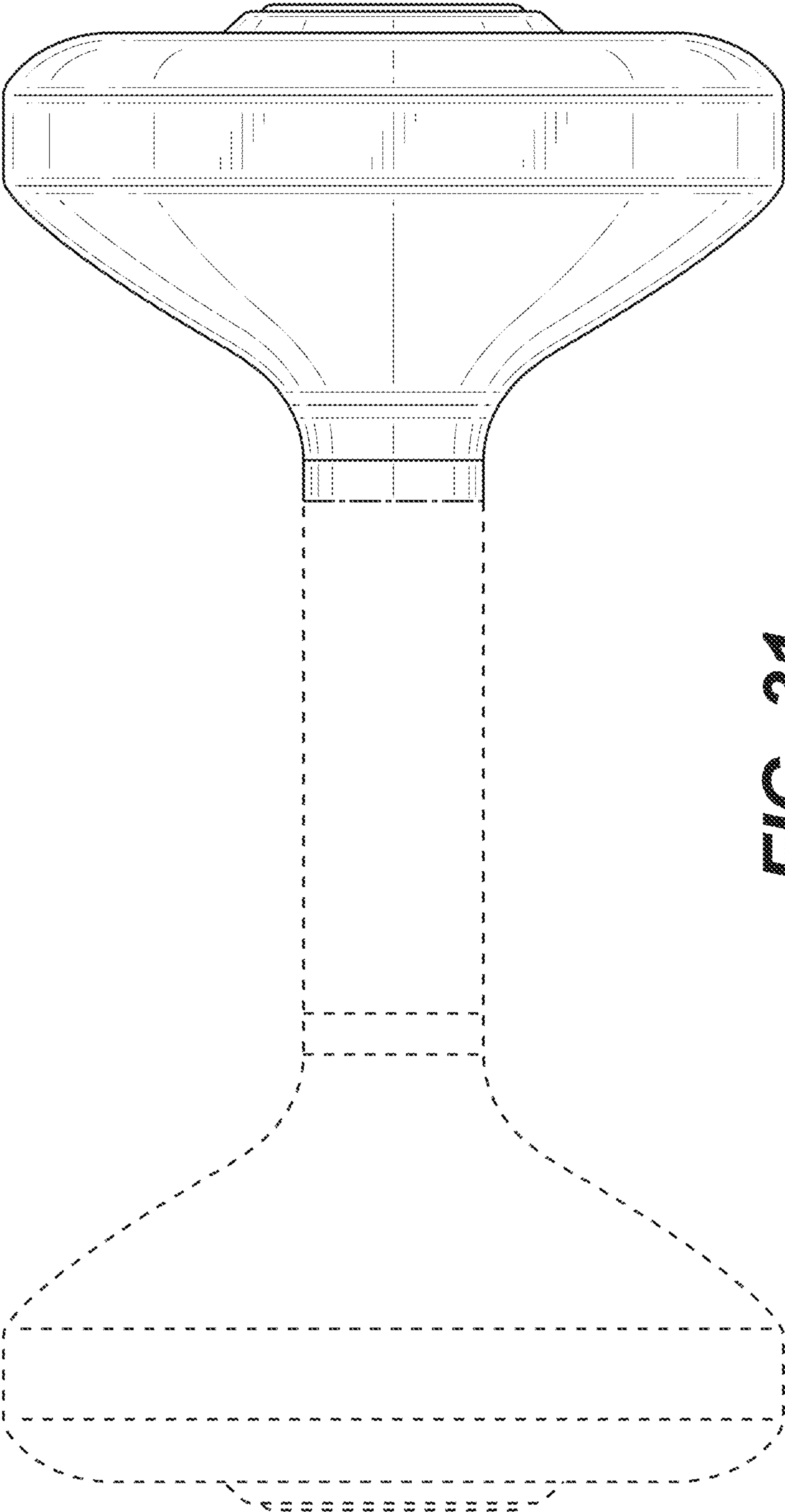


FIG. 31

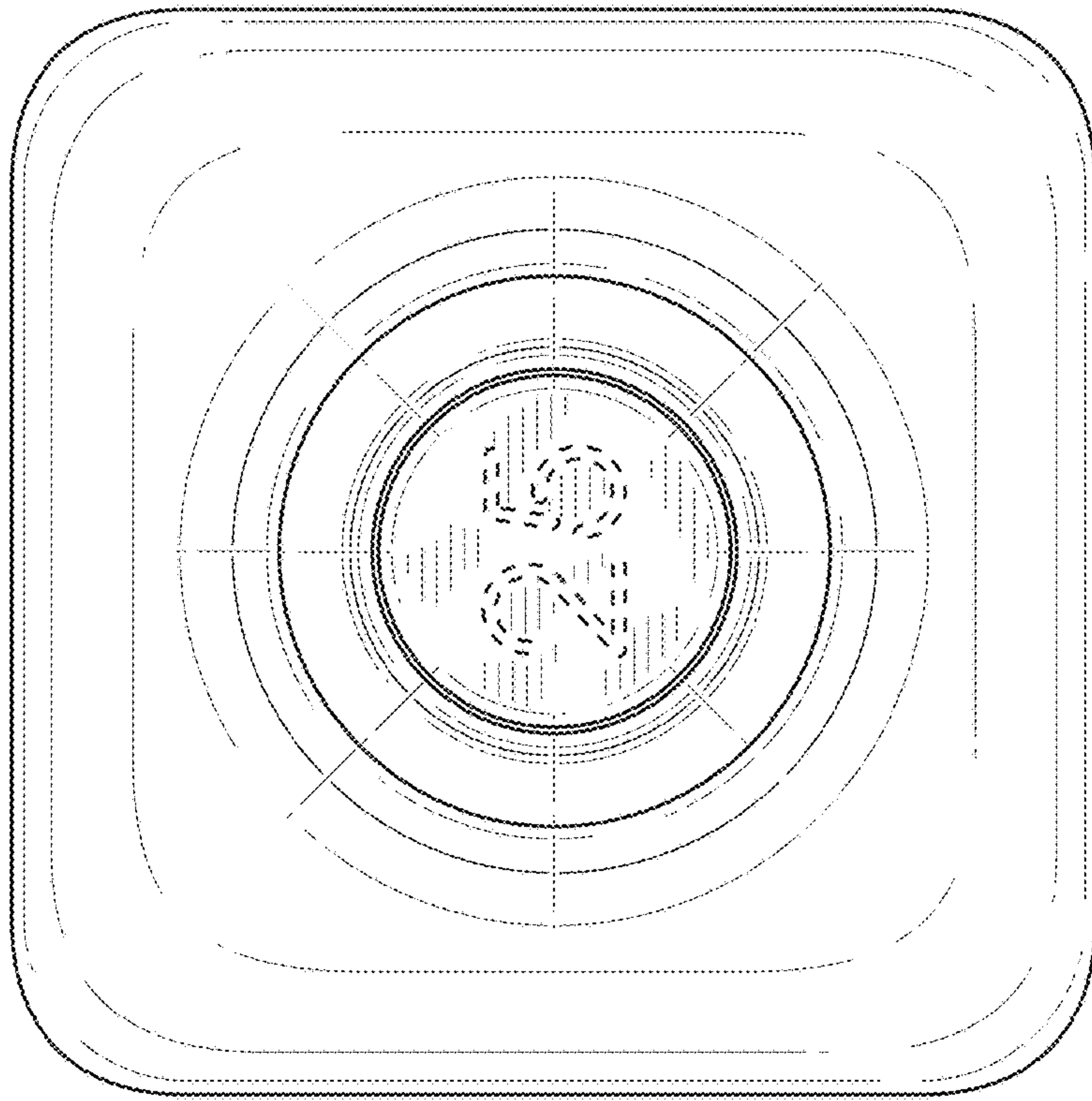


FIG. 32

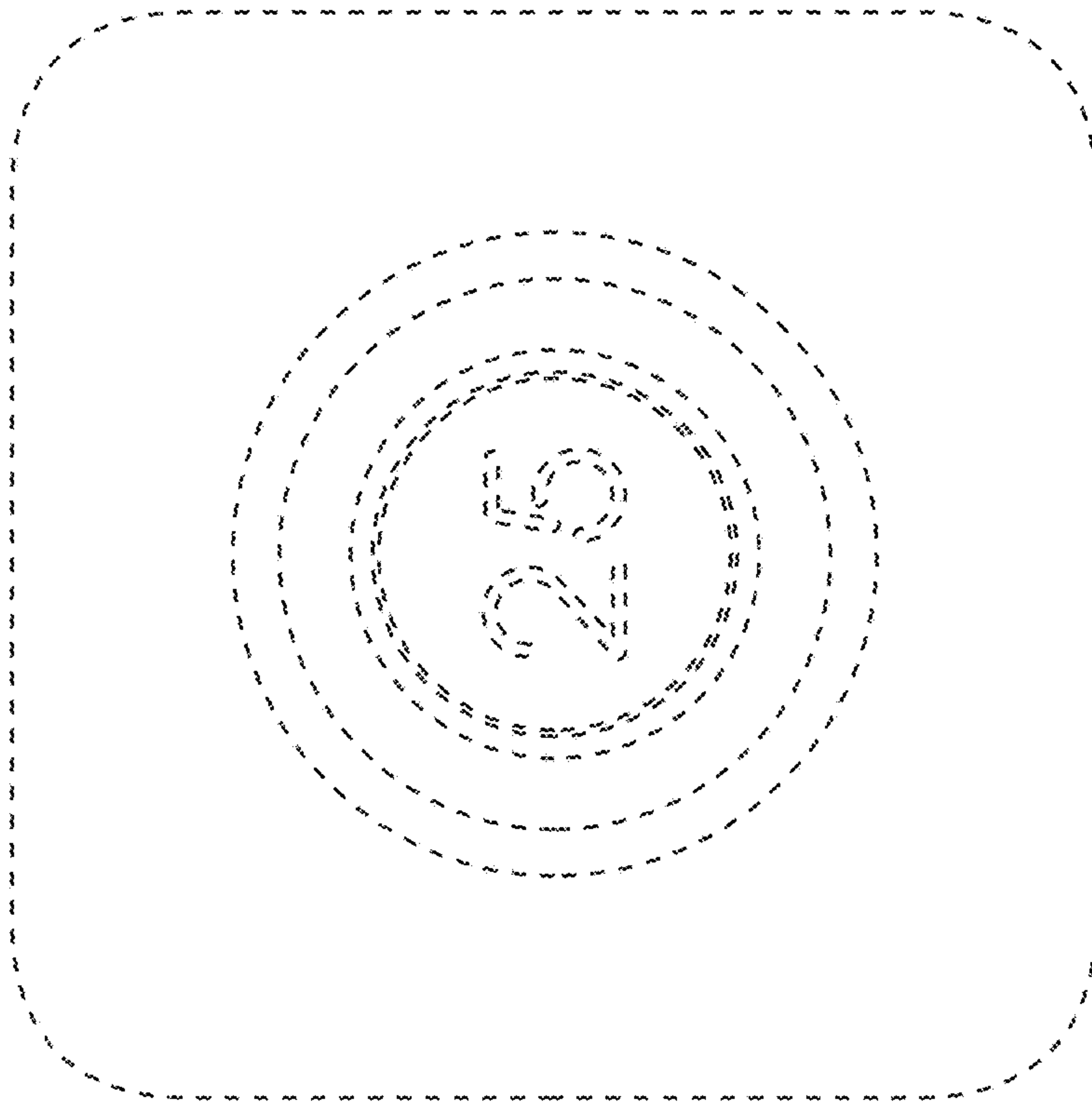


FIG. 33

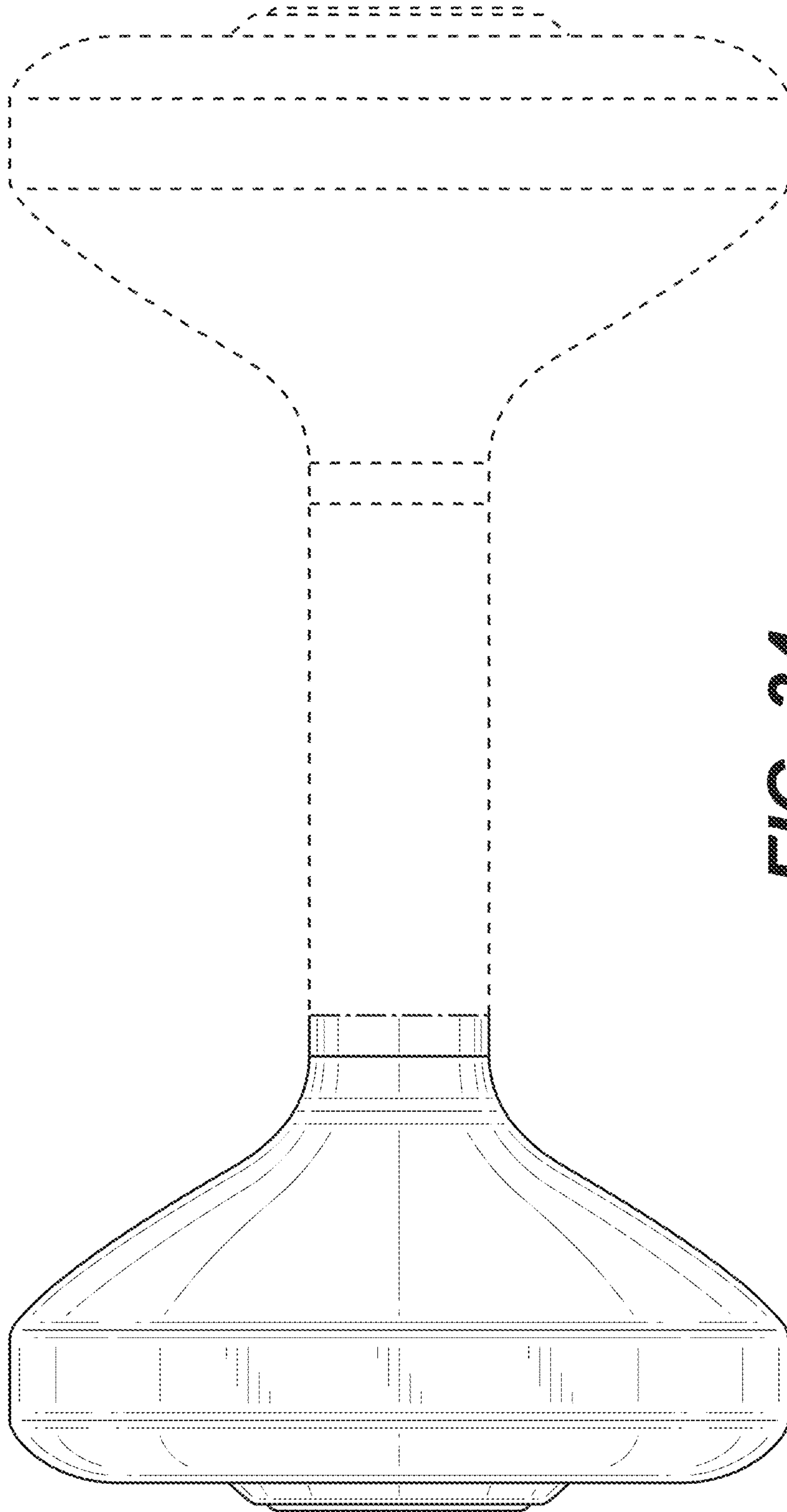


FIG. 34

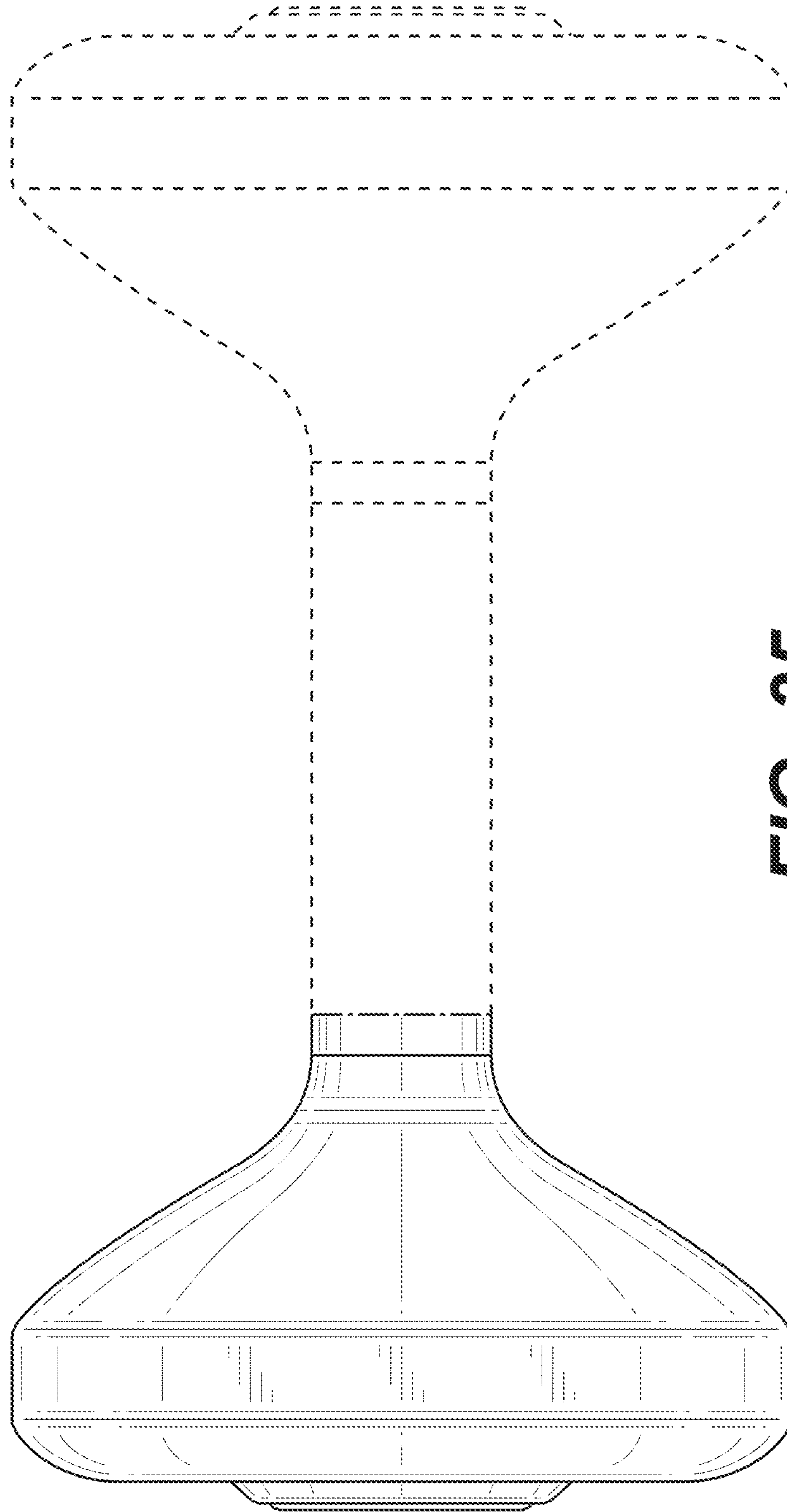


FIG. 35

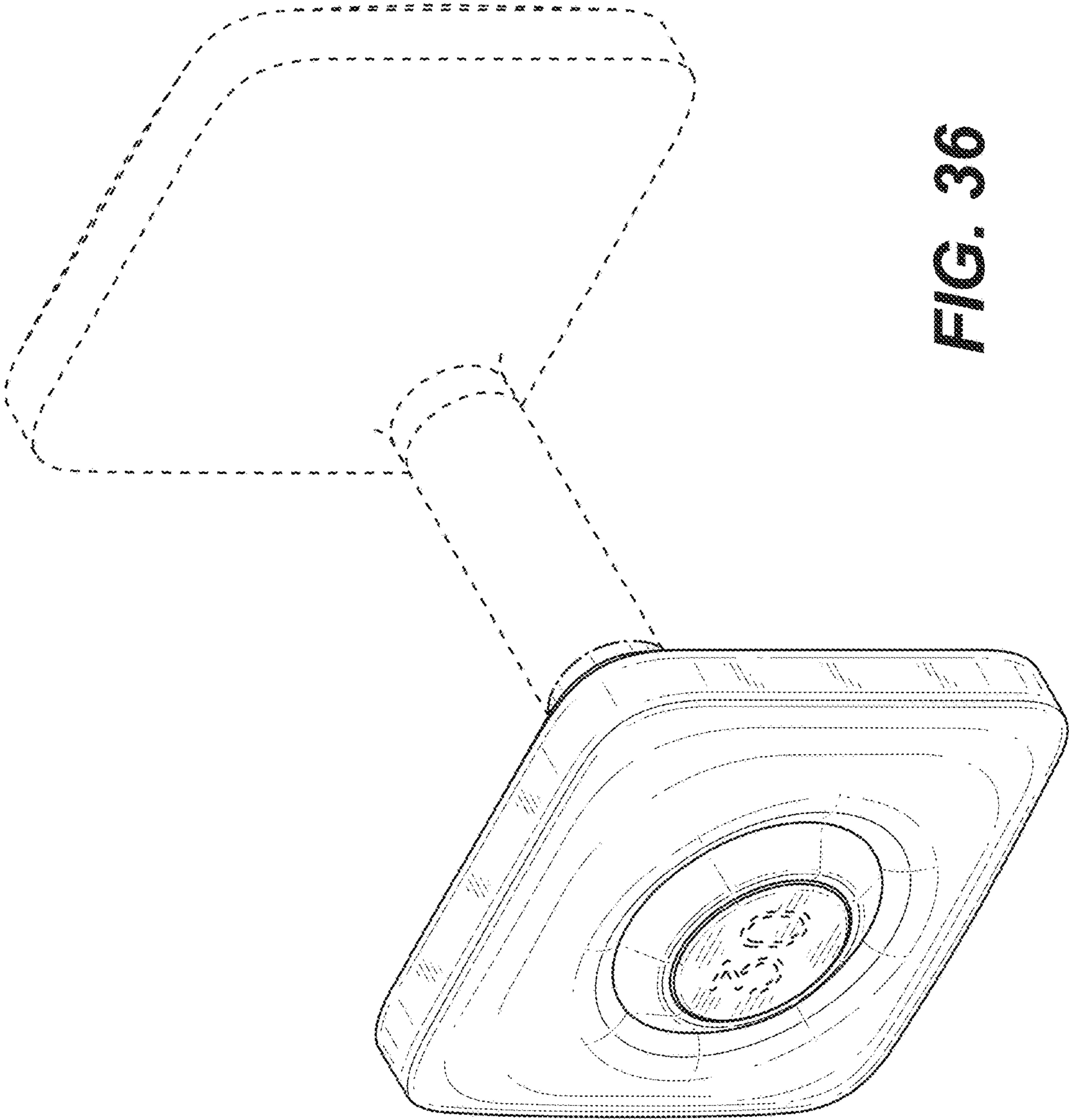


FIG. 36

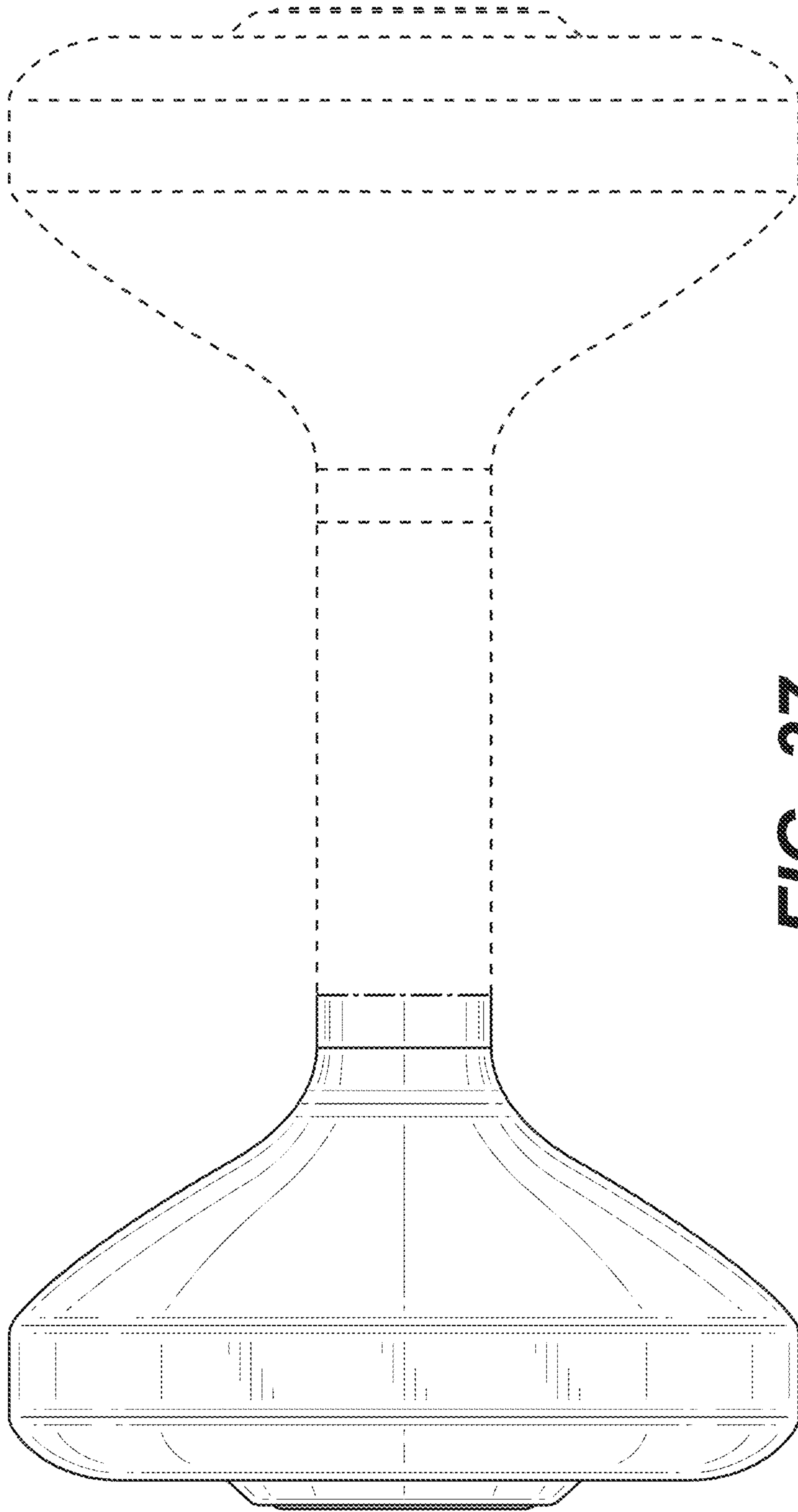


FIG. 37

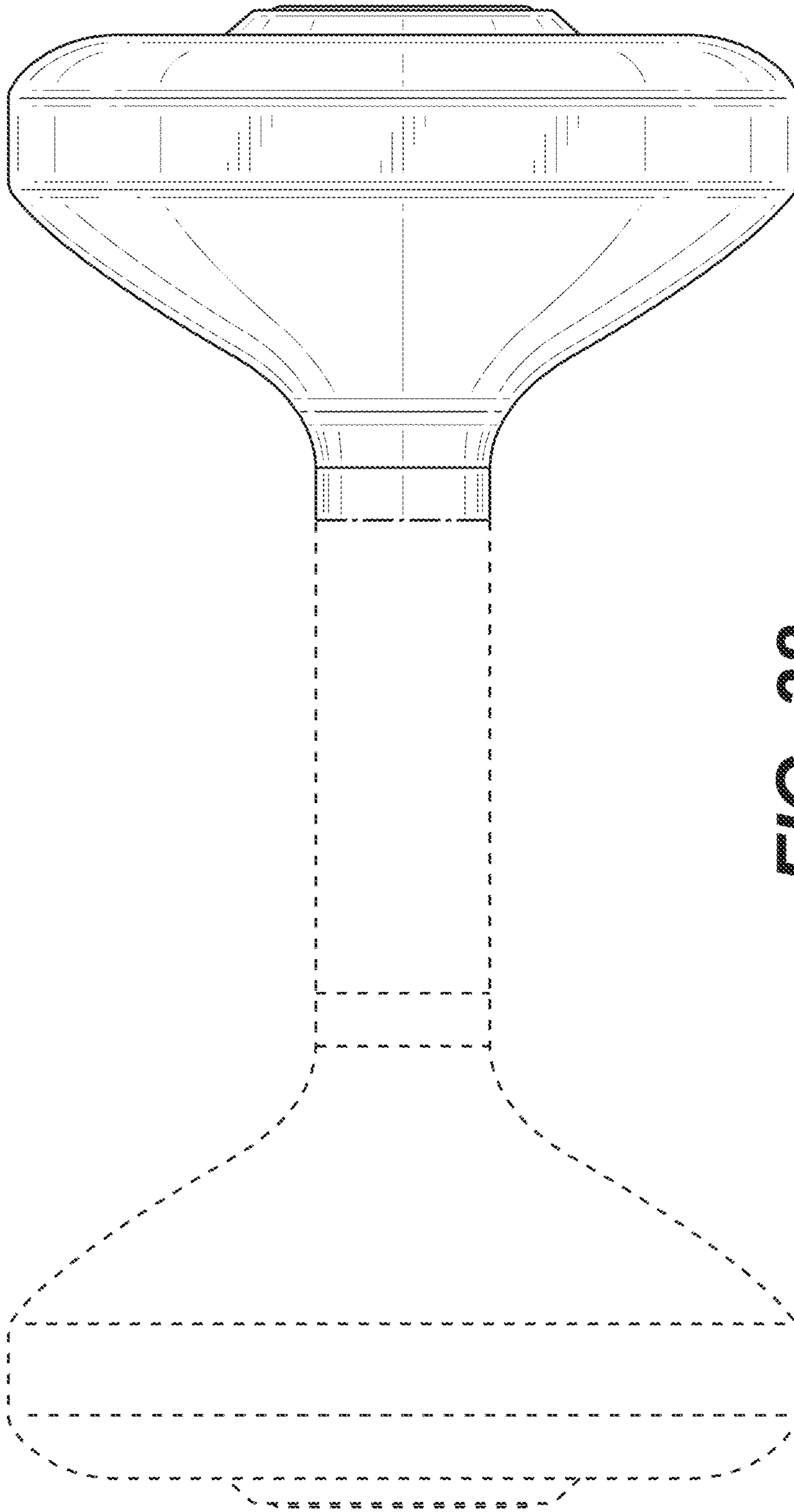


FIG. 38

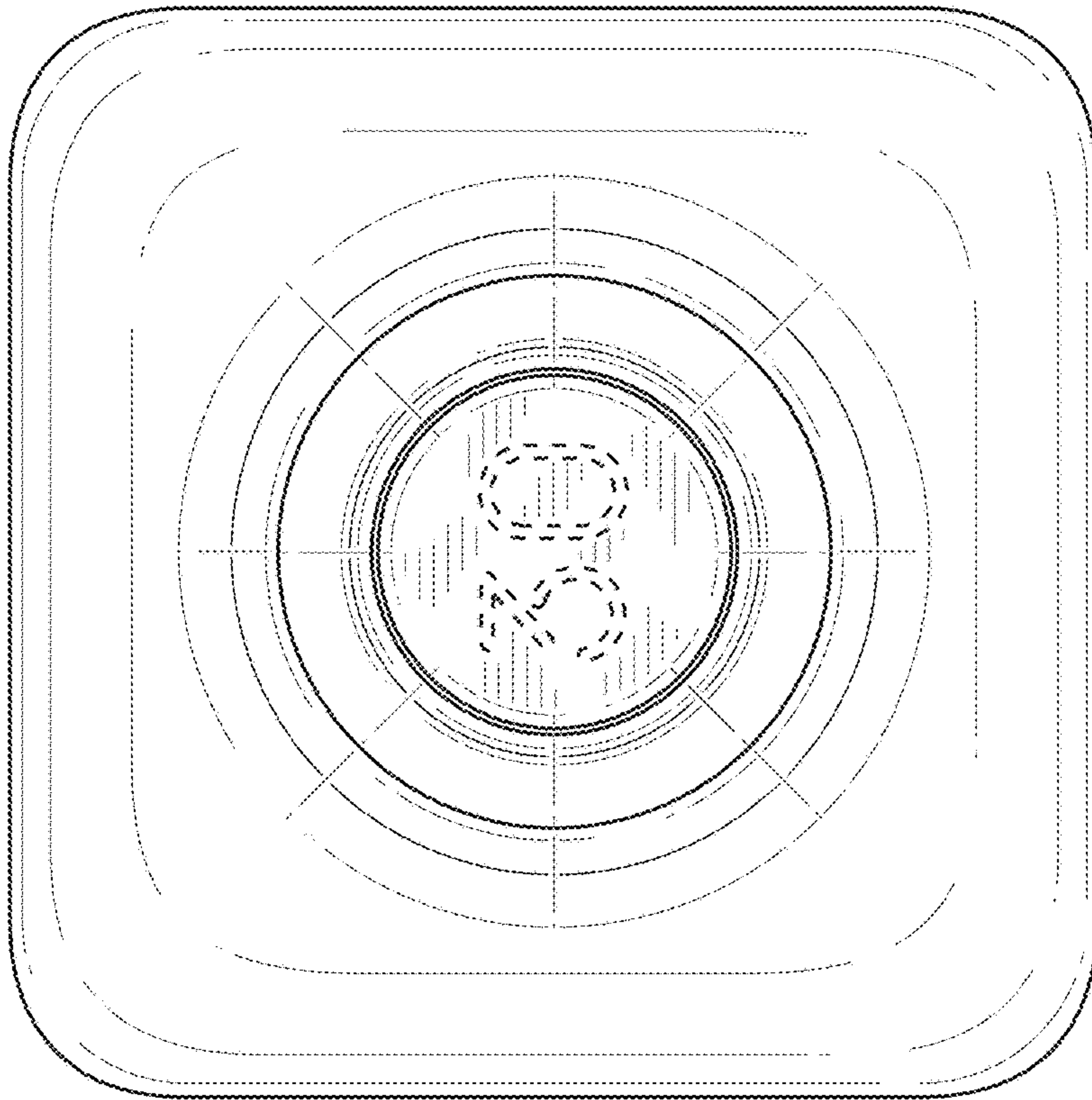


FIG. 39

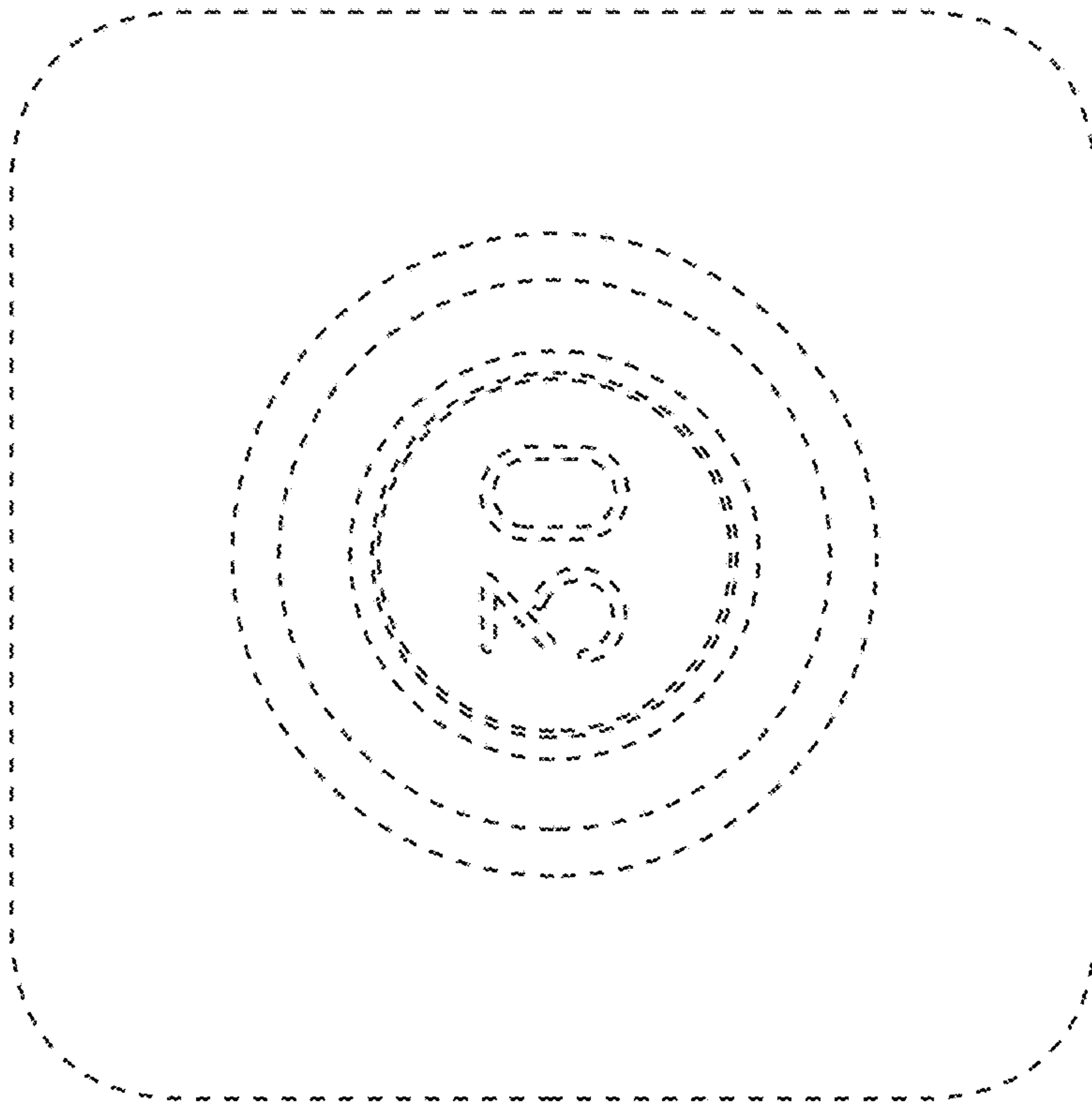


FIG. 40

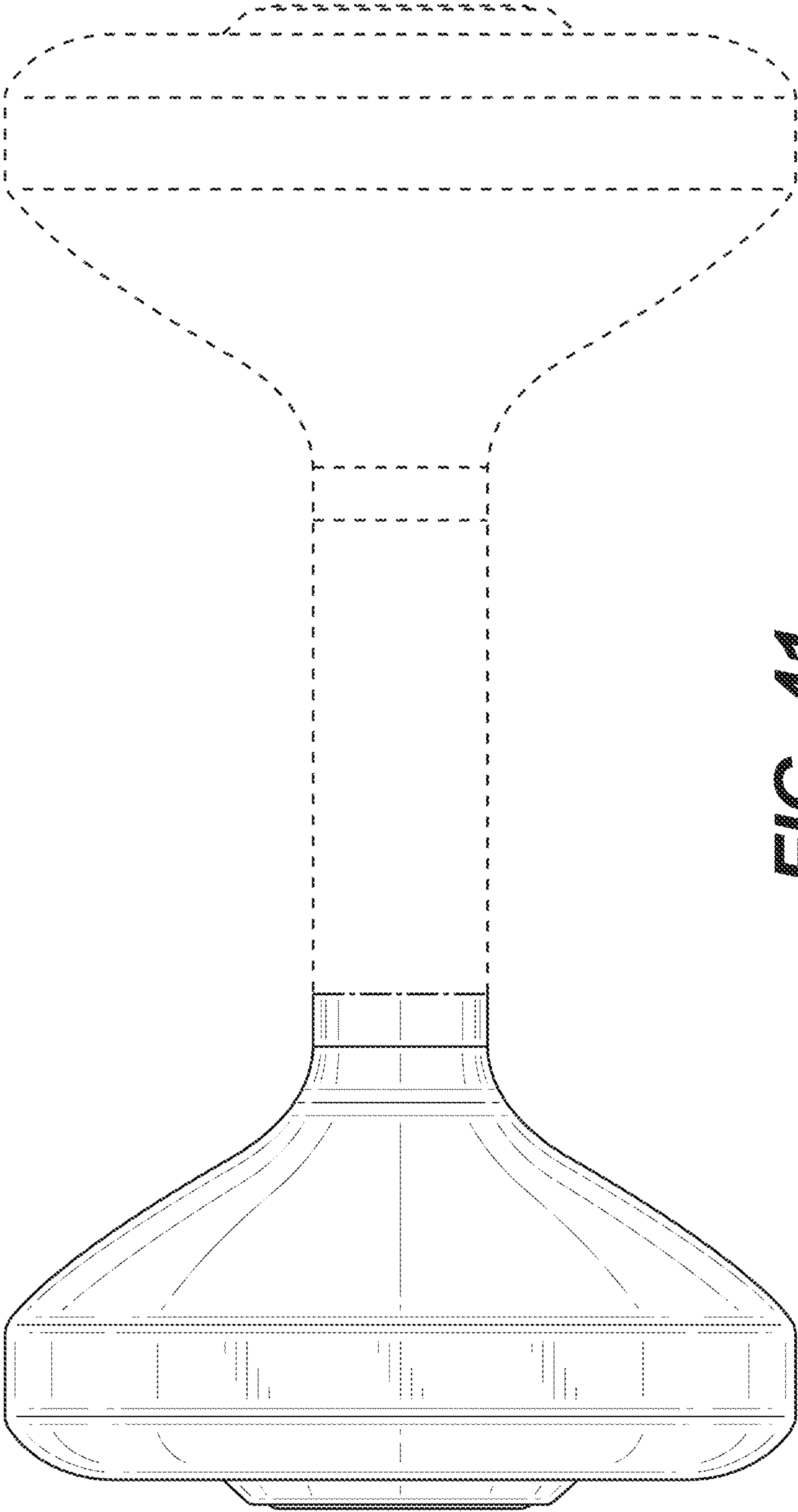


FIG. 41

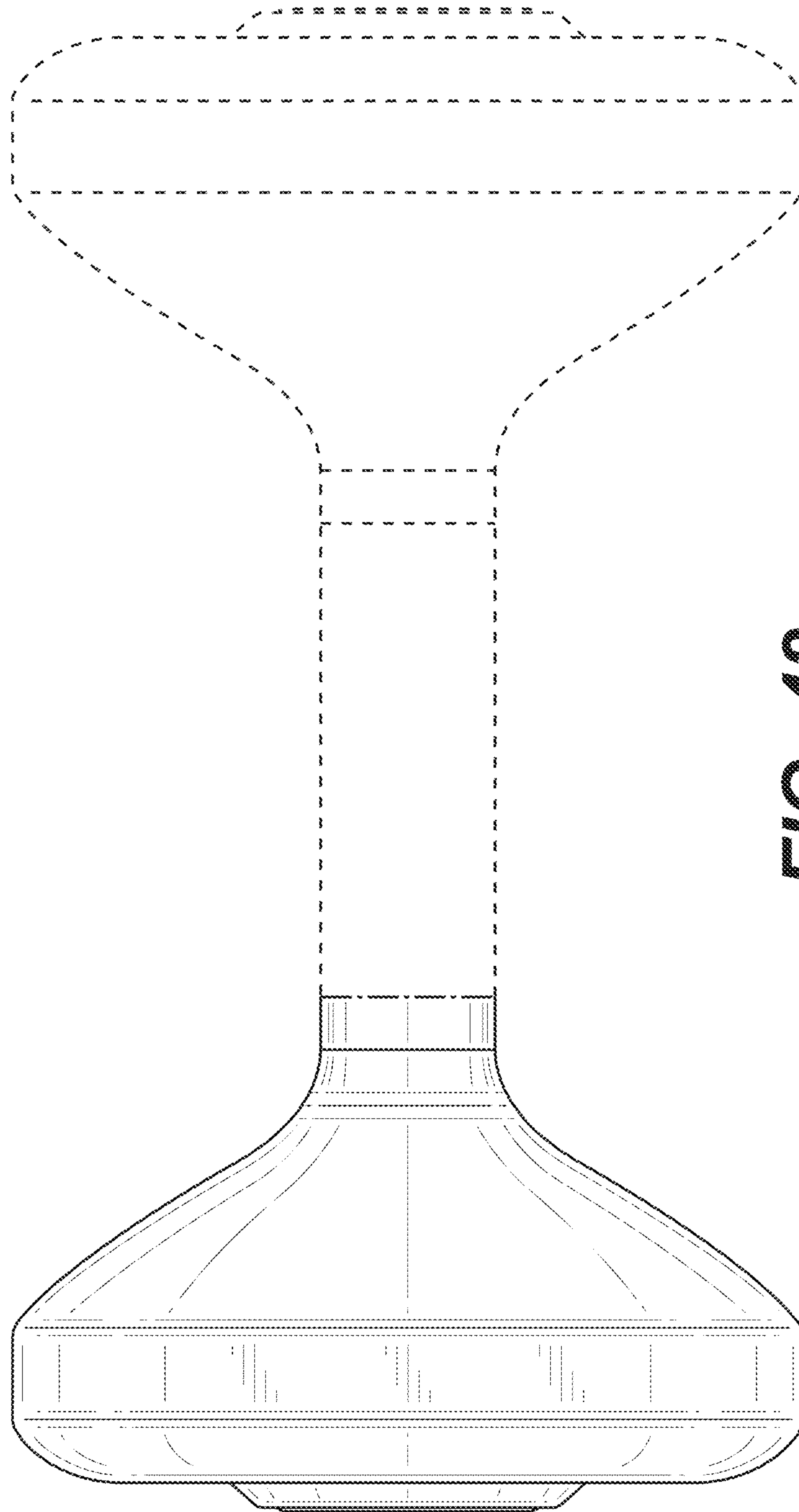


FIG. 42