



US00D857808S

(12) **United States Design Patent** (10) **Patent No.:** **US D857,808 S**  
**Gong** (45) **Date of Patent:** **\*\* Aug. 27, 2019**

(54) **TOY GUN BARREL**

(71) Applicant: **Qiao-Bin Gong**, Guangdong Province (CN)

(72) Inventor: **Qiao-Bin Gong**, Guangdong Province (CN)

(73) Assignee: **Shenzhen Chuangliansizhong Technology Co., Ltd.**, Shenzhen (CN)

(\*\*) Term: **15 Years**

(21) Appl. No.: **29/633,051**

(22) Filed: **Jan. 11, 2018**

(51) **LOC (12) Cl.** ..... **21-01**

(52) **U.S. Cl.**  
 USPC ..... **D21/573; D22/108**

(58) **Field of Classification Search**  
 USPC ..... D21/573; D22/108  
 CPC .... A63F 9/02; A63F 9/24; A63F 13/00; A63F 13/04; A63H 5/04; F41A 21/48; F41A 21/00; F41A 21/16; F41A 21/24  
 See application file for complete search history.

(56) **References Cited**

U.S. PATENT DOCUMENTS

D353,853 S \* 12/1994 Albritton ..... D21/572  
 5,782,030 A \* 7/1998 French ..... F41C 9/08  
 42/76.01  
 D440,262 S \* 4/2001 Fernandez ..... D21/570  
 6,668,815 B1 \* 12/2003 Fernandez ..... F41A 11/00  
 124/83  
 D541,884 S \* 5/2007 Orr ..... D21/573  
 D559,923 S \* 1/2008 Broersma ..... D21/573  
 D592,271 S \* 5/2009 Salva ..... D22/108  
 D593,630 S \* 6/2009 Salva ..... D22/108  
 D593,631 S \* 6/2009 Salva ..... D22/108  
 D605,238 S \* 12/2009 Gan ..... D21/573

D606,154 S \* 12/2009 Casas Salva ..... D22/108  
 D661,767 S \* 6/2012 Siddle ..... F41A 21/00  
 D22/103  
 D662,169 S \* 6/2012 Arnedo Vera ..... D22/108  
 D666,269 S \* 8/2012 Heath ..... D22/108  
 D693,422 S \* 11/2013 Vera ..... D22/108  
 D697,995 S \* 1/2014 Kera ..... D22/108  
 D748,218 S \* 1/2016 Kera ..... D22/108  
 D829,845 S \* 10/2018 Oglesby ..... D22/108  
 2005/0066953 A1 \* 3/2005 Zouboulakis ..... F41A 11/02  
 124/73  
 2010/0307042 A1 \* 12/2010 Jarboe ..... F41A 3/18  
 42/6  
 2014/0237881 A1 \* 8/2014 MacK ..... F41A 21/325  
 42/90  
 2016/0216055 A1 \* 7/2016 Wilkinson ..... F41A 5/28

\* cited by examiner

*Primary Examiner* — Robin V Webster  
*Assistant Examiner* — Keith J Wilson

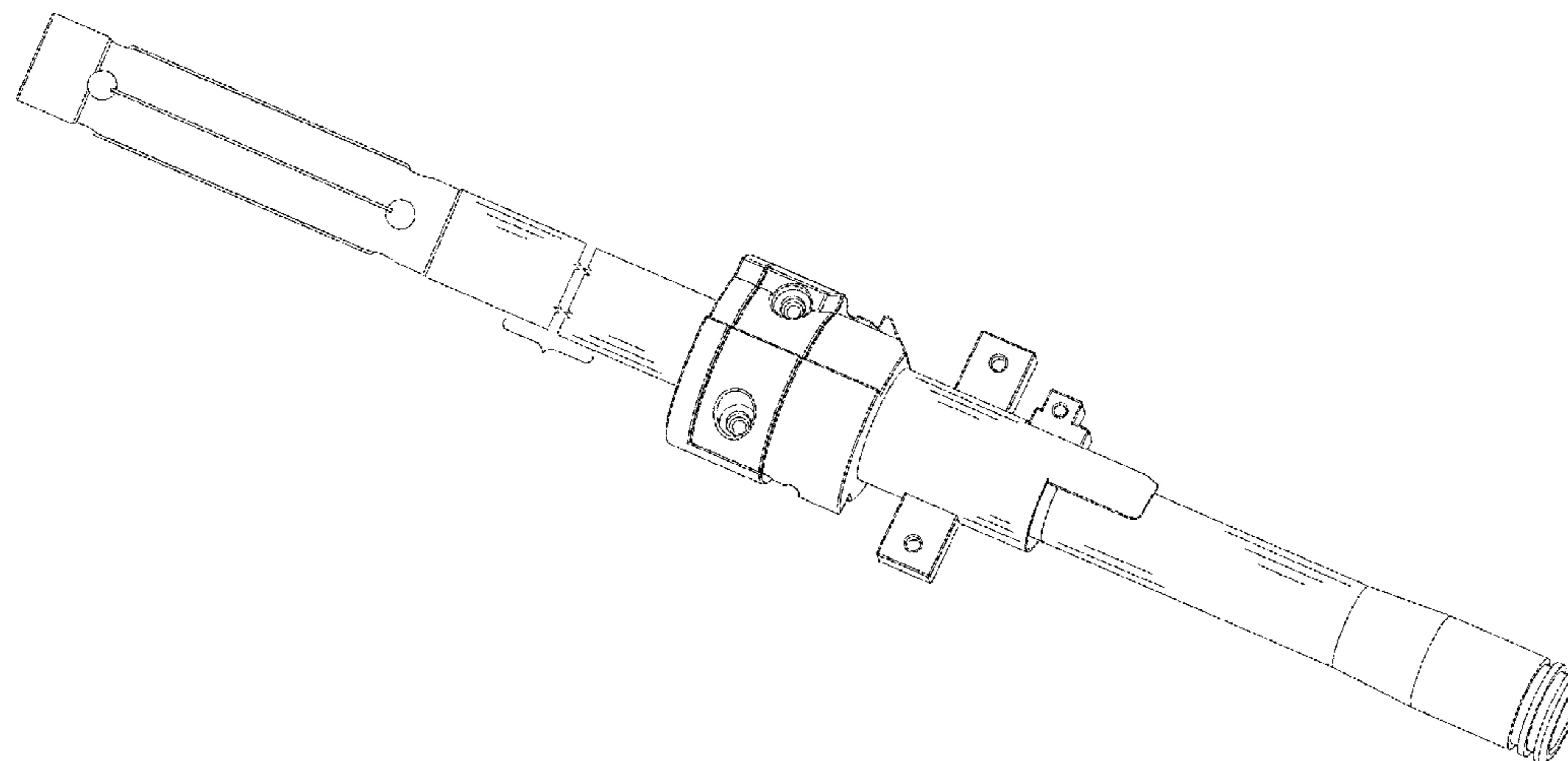
(57) **CLAIM**

I claim the ornamental design for a toy gun barrel, as shown and described.

**DESCRIPTION**

FIG. 1 is a perspective view of a toy gun barrel showing my new design;  
 FIG. 2 is a front elevational view thereof;  
 FIG. 3 is a top plan view thereof;  
 FIG. 4 is a left side elevational view thereof;  
 FIG. 5 is a rear elevational view thereof;  
 FIG. 6 is a right side view thereof; and,  
 FIG. 7 is a bottom plan view thereof.  
 The toy gun barrel is shown with a break to indicate non-specified length. The appearance of any portion of the article between the break lines forms no part of the claimed design.

**1 Claim, 7 Drawing Sheets**



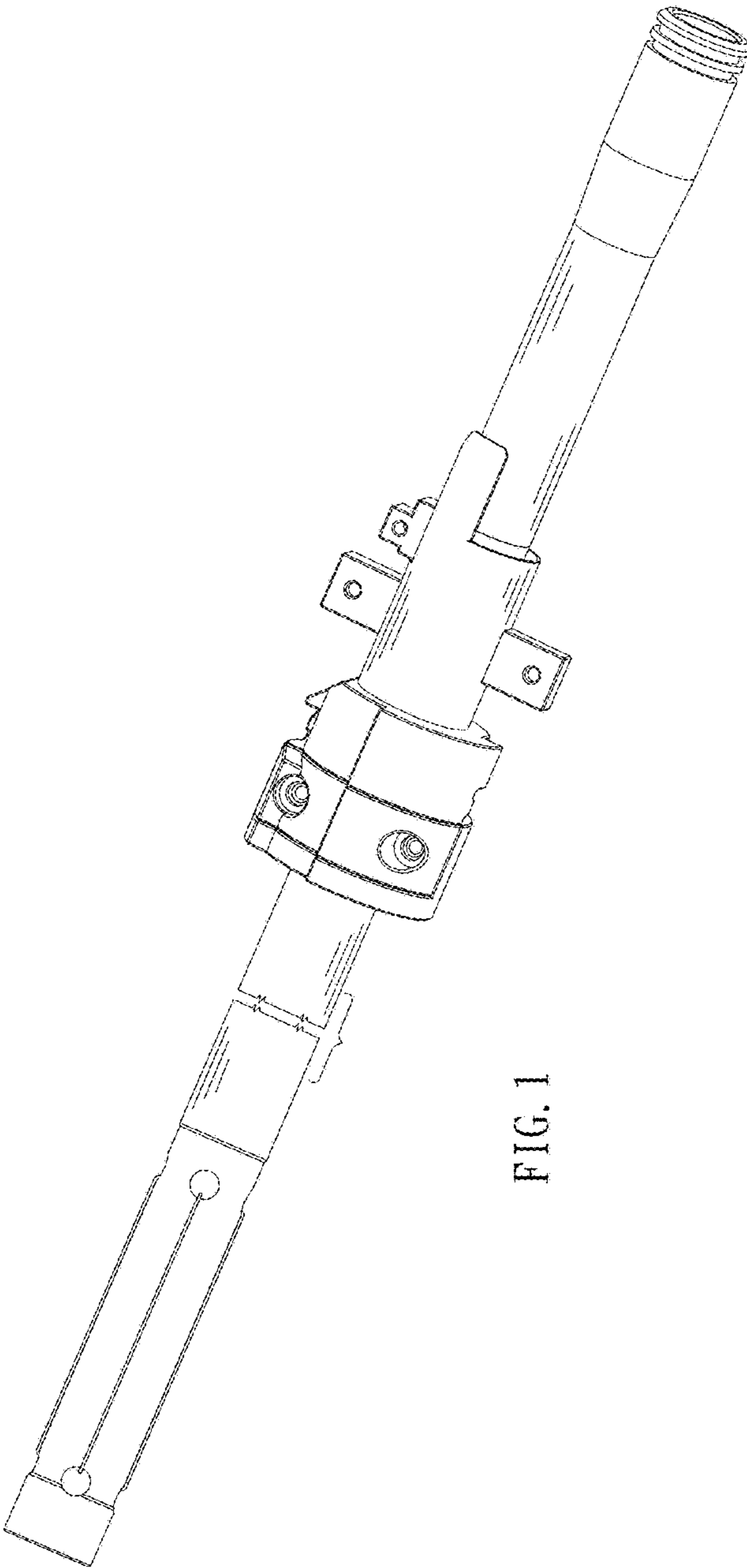


FIG. 1

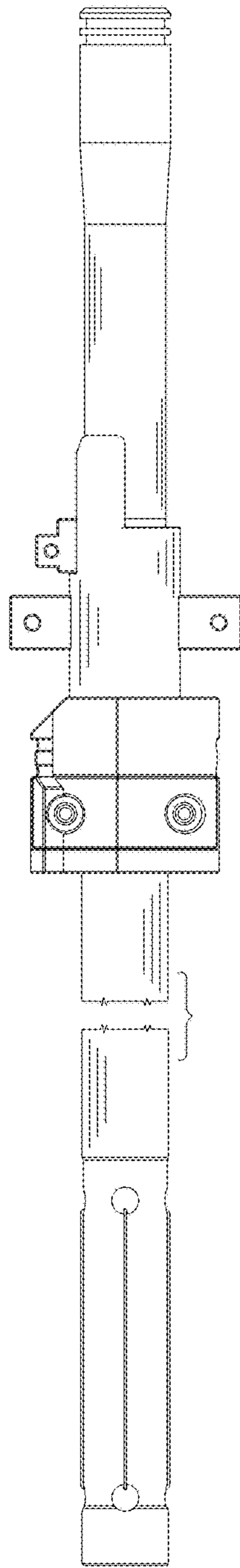


FIG. 2

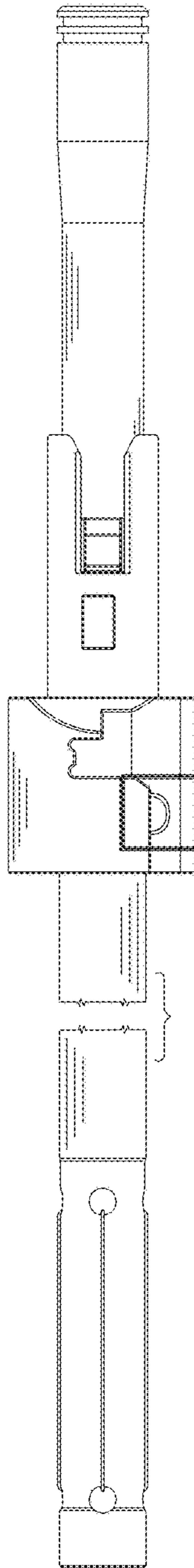


FIG. 3

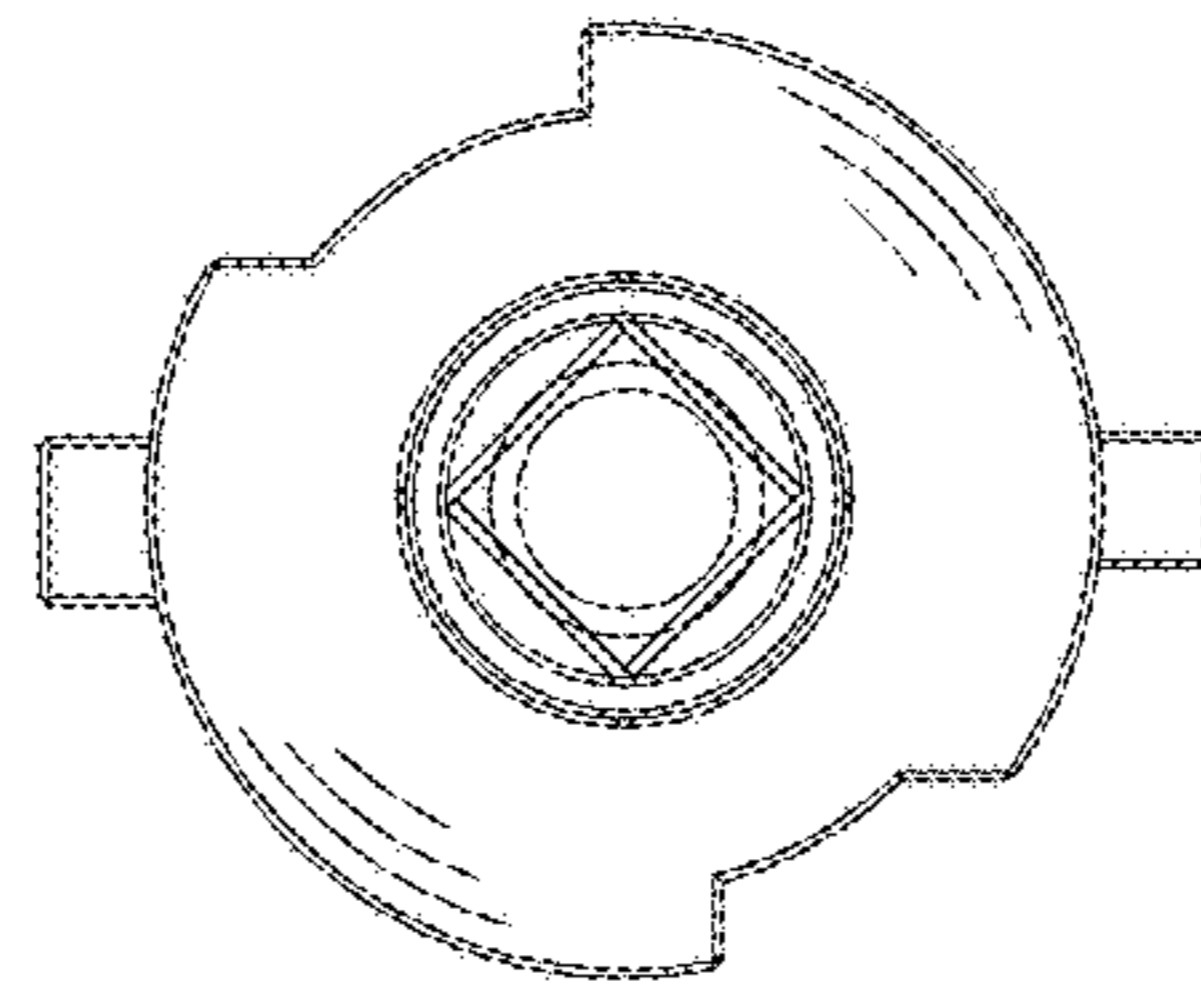


FIG. 4

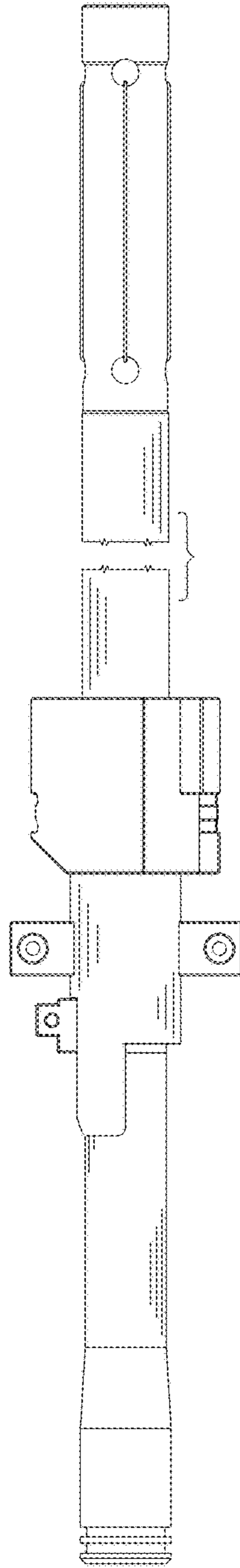


FIG. 5

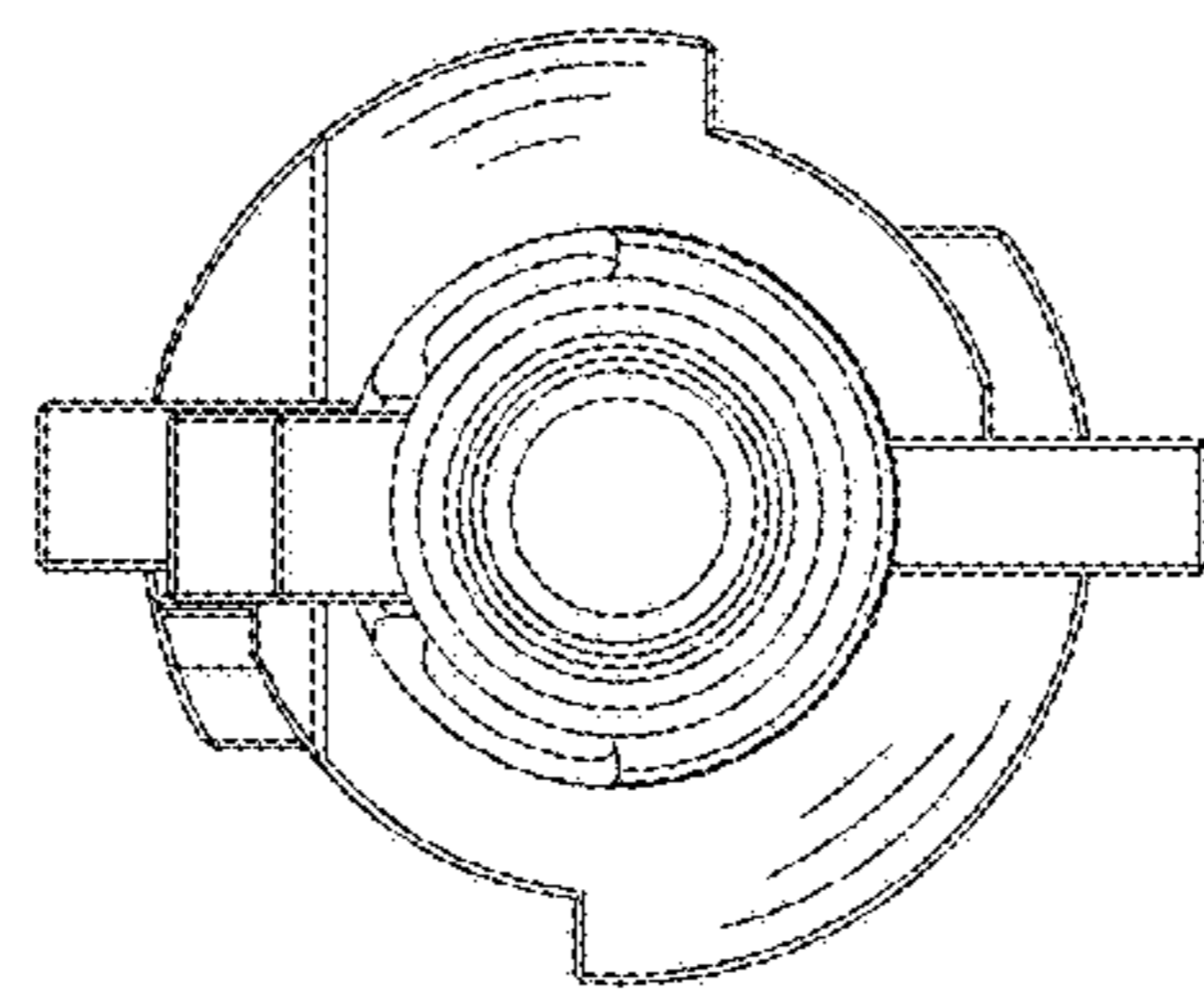


FIG. 6

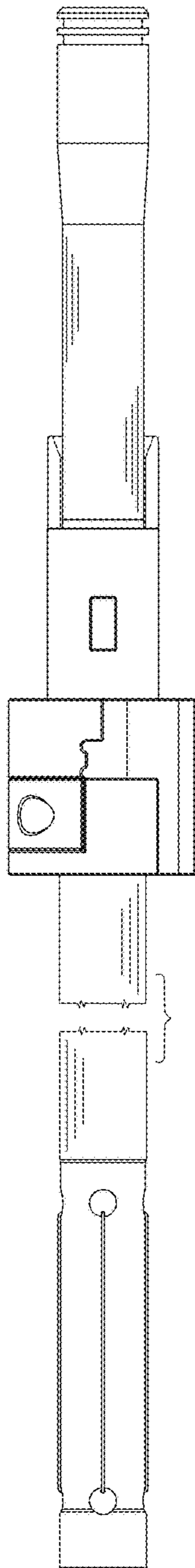


FIG. 7