



US00D857807S

(12) **United States Design Patent**  
**Wood**

(10) **Patent No.:** **US D857,807 S**

(45) **Date of Patent:** **\*\* Aug. 27, 2019**

(54) **REAR SIDE MOLDING FOR A MODEL VEHICLE**

D832,168 S \* 10/2018 Platto ..... D12/190  
D836,508 S \* 12/2018 Shinohara ..... D12/190  
D836,509 S \* 12/2018 Grand ..... D12/190

(71) Applicant: **TRAXXAS LP**, McKinney, TX (US)

\* cited by examiner

(72) Inventor: **Jonathan Scott Wood**, Plano, TX (US)

*Primary Examiner* — Robin V Webster

(73) Assignee: **TRAXXAS LP**, McKinney, TX (US)

*Assistant Examiner* — Keith J Wilson

(\*\*) Term: **15 Years**

(74) *Attorney, Agent, or Firm* — Daryl R. Wright; Greg Carr

(21) Appl. No.: **29/623,942**

(57) **CLAIM**

I claim the ornamental design for a rear side molding for a model vehicle, as shown and described.

(22) Filed: **Oct. 27, 2017**

(51) **LOC (12) Cl.** ..... **21-01**

**DESCRIPTION**

(52) **U.S. Cl.**

USPC ..... **D21/561**; D12/190

(58) **Field of Classification Search**

USPC ..... D12/90, 91, 106, 114, 163, 169, 171,  
D12/190; D21/561, 562; D11/81, 211;  
D20/11, 23, 24, 25, 30, 31, 32

CPC ..... B60J 10/35; B60J 10/0011; B60J 10/02  
See application file for complete search history.

FIG. 1 is a top, left, front perspective view of a rear side molding for a model vehicle;

FIG. 2 is front elevation view thereof;

FIG. 3 is a rear elevation view thereof;

FIG. 4 is a left side elevation view thereof;

FIG. 5 is a right side elevation view thereof;

FIG. 6 is a top plan view thereof;

FIG. 7 is a bottom plan view thereof;

FIG. 8 is a top, right, rear perspective view; and,

FIG. 9 is a top, left, front perspective environmental view.

In the drawings, the broken line showing of features of the rear side molding for a model vehicle illustrate portions of the rear side molding for a model vehicle that form no part of the claimed design; whereas, the broken line showing of the environmental view depicts environmental subject matter and is provided for the purposes of illustrating environmental structure and context.

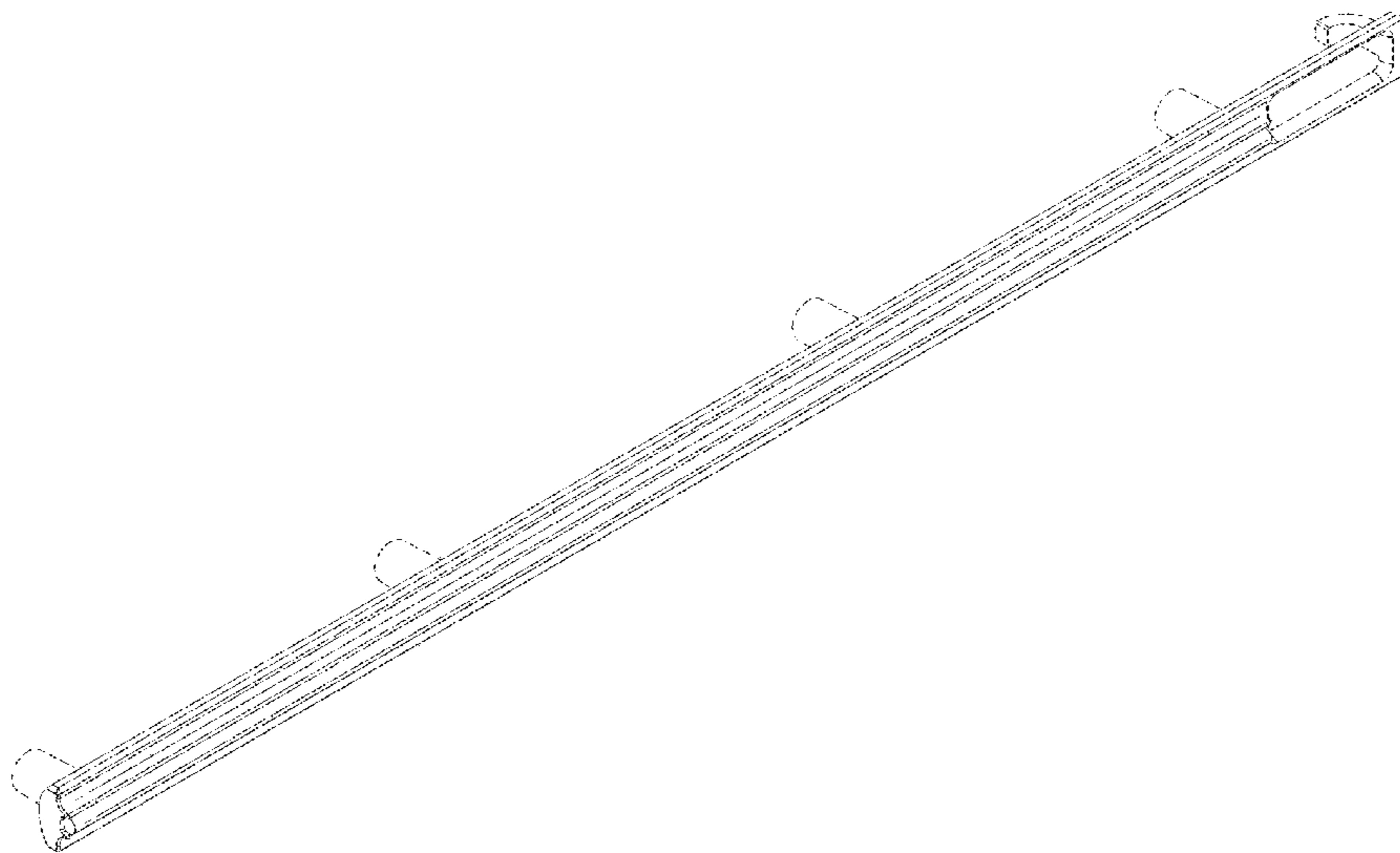
In addition, in the drawings the representative front side molding depicted is a left rear side molding. The right rear side molding is a mirror image of the left rear side molding.

(56) **References Cited**

**U.S. PATENT DOCUMENTS**

D623,104 S \* 9/2010 Akasawa ..... D12/190  
D709,419 S \* 7/2014 Watkins ..... D12/190  
D709,420 S \* 7/2014 Watkins ..... D12/190  
D710,264 S \* 8/2014 Watkins ..... D12/169  
D746,201 S \* 12/2015 Schlater ..... D12/190  
D746,202 S \* 12/2015 Schlater ..... D12/190  
D746,745 S \* 1/2016 Schoonover ..... D12/190  
D746,746 S \* 1/2016 Schlater ..... D12/190  
D748,549 S \* 2/2016 Battams ..... D12/190  
D761,175 S \* 7/2016 Stoynov ..... D12/190  
D811,301 S \* 2/2018 Peat ..... D12/190  
D820,179 S \* 6/2018 Kladde ..... D12/190

**1 Claim, 5 Drawing Sheets**



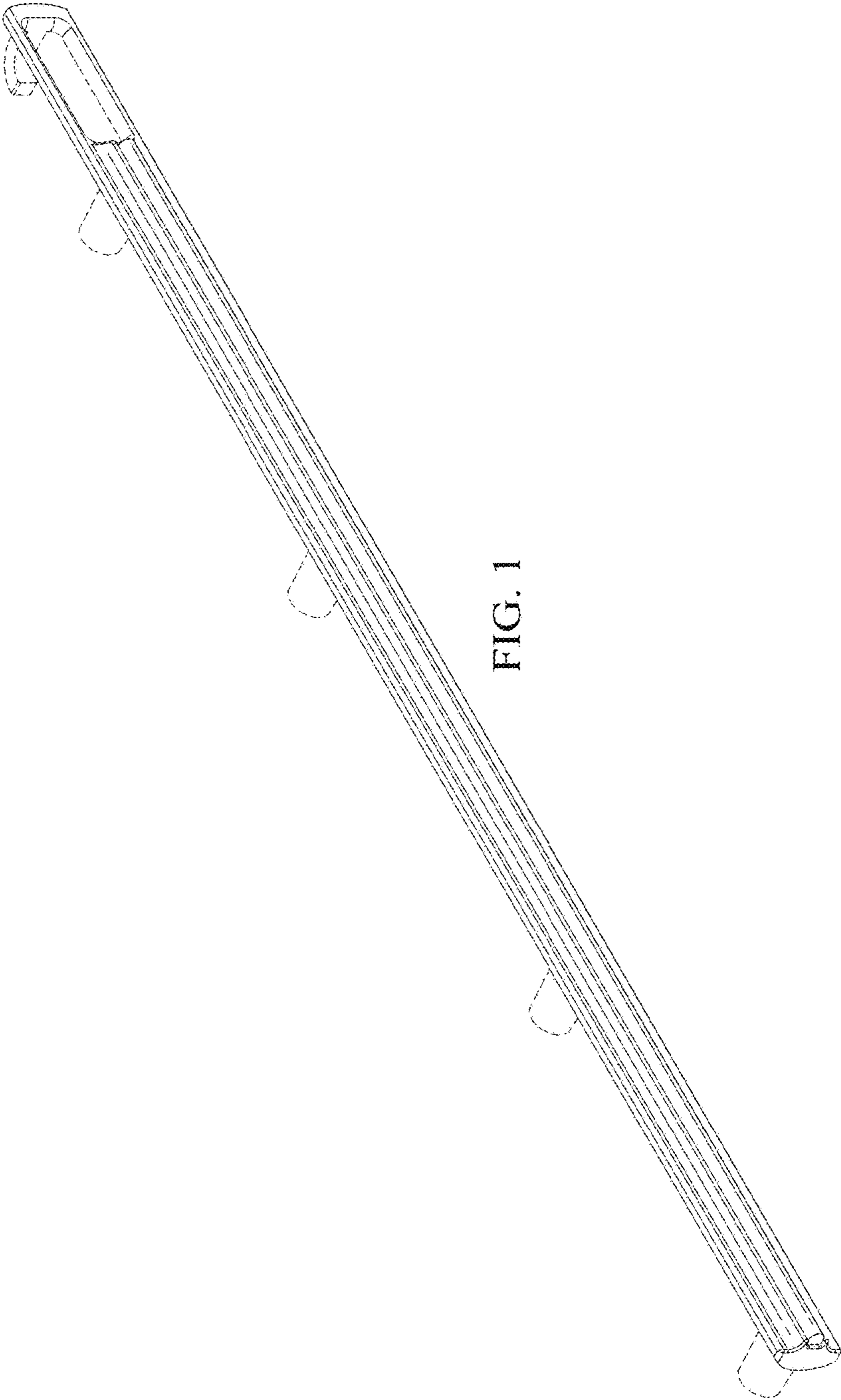


FIG. 1



FIG. 2



FIG. 3

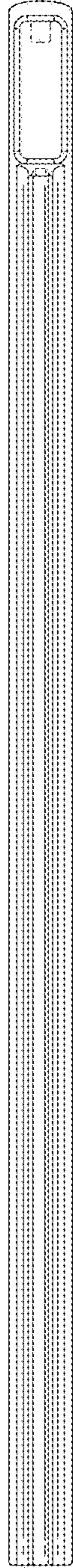


FIG. 4

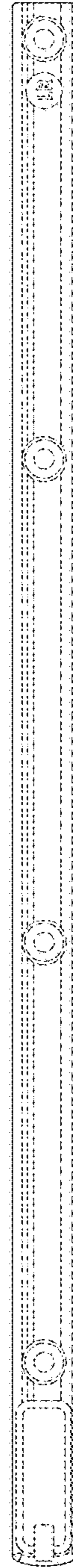


FIG. 5

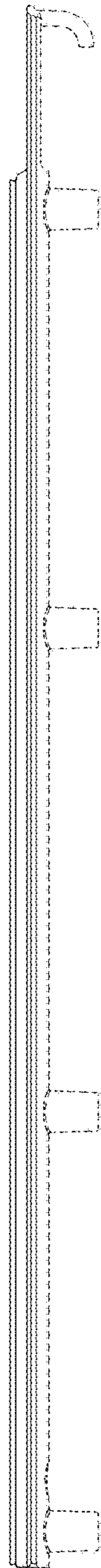


FIG. 6



FIG. 7

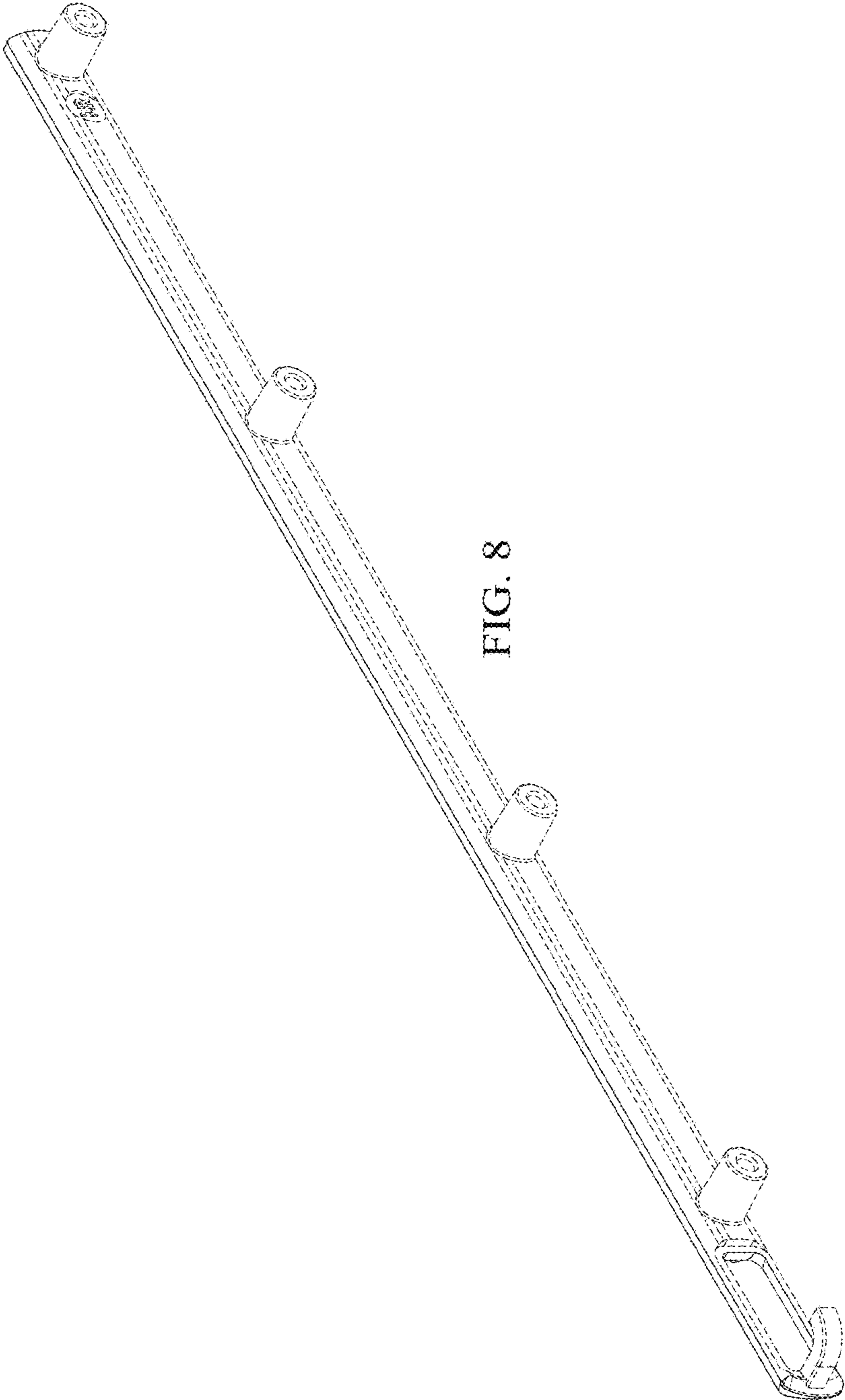


FIG. 8

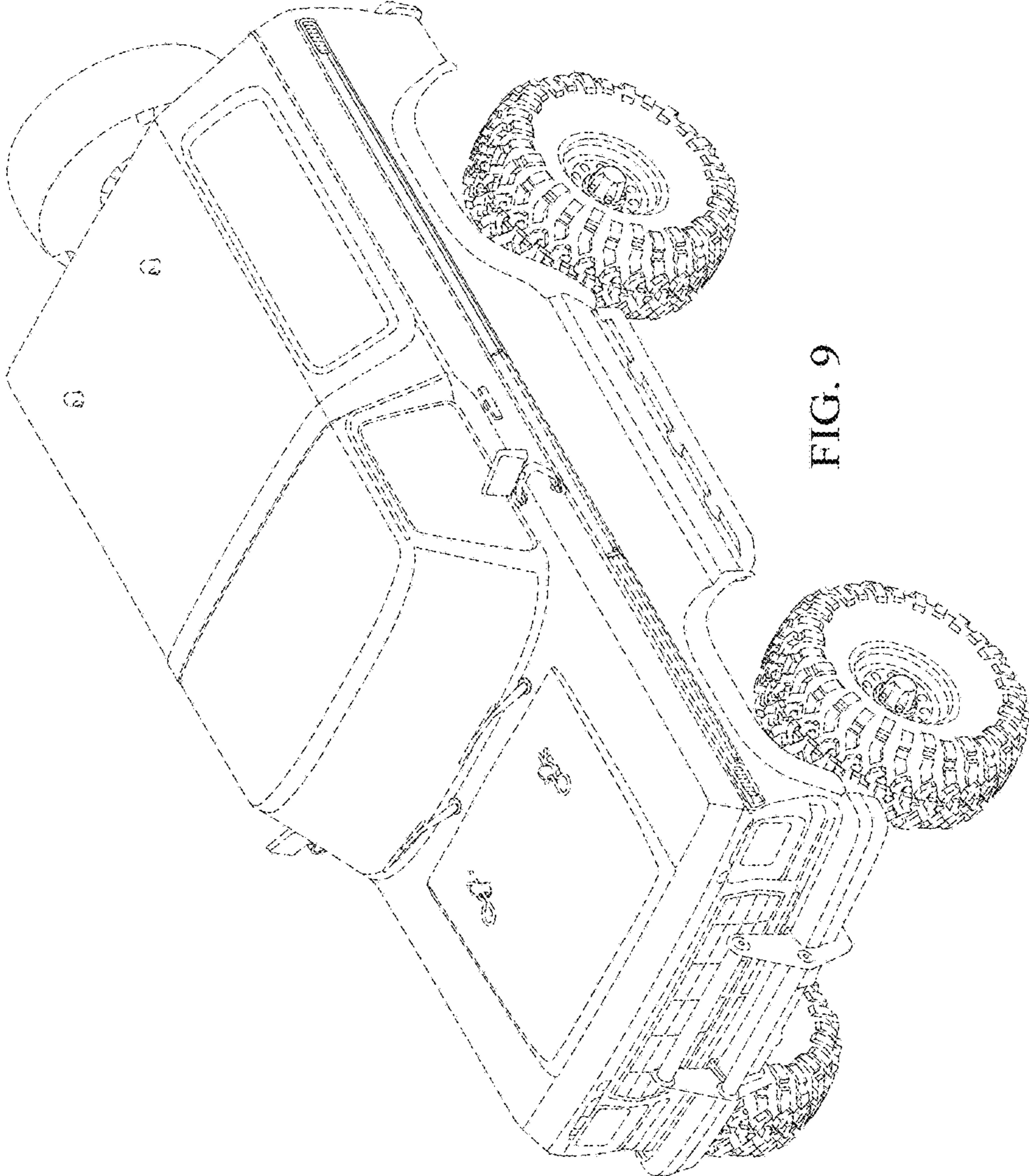


FIG. 9