



US00D857806S

(12) **United States Design Patent** (10) **Patent No.:** **US D857,806 S**  
**Ladislao** (45) **Date of Patent:** **\*\* Aug. 27, 2019**

(54) **MODEL VEHICLE**  
(71) Applicant: **SPIN MASTER LTD.**, Toronto (CA)  
(72) Inventor: **Mark Ladislao**, Hong Kong (CN)  
(\*\*) Term: **15 Years**  
(21) Appl. No.: **29/603,885**  
(22) Filed: **May 12, 2017**  
(51) **LOC (12) Cl.** ..... **21-01**  
(52) **U.S. Cl.**  
USPC ..... **D21/542**  
(58) **Field of Classification Search**  
USPC ..... D21/542–547; D12/300–318  
CPC .. B63B 1/16; B63B 1/24; B63B 1/242; B63B  
1/244; B63B 1/246; B63B 1/248; B63B  
1/26; B63B 1/28; B63B 1/322; B63B  
1/10; B63B 1/12; B63B 1/14  
See application file for complete search history.

9,045,226 B2 6/2015 Piasecki et al.  
D781,382 S \* 3/2017 Etcheparre ..... D21/542  
9,809,211 B2 11/2017 Schulz  
9,868,431 B1 1/2018 Ladislao  
9,919,796 B2 3/2018 Giovenga  
9,944,389 B2 4/2018 Piasecki  
9,963,228 B2 5/2018 McCullough  
2004/0050602 A1 3/2004 Jones  
2004/0139905 A1\* 7/2004 Chen ..... B63B 1/246  
114/274

(Continued)

**FOREIGN PATENT DOCUMENTS**

WO 02/060550 A1 8/2002

**OTHER PUBLICATIONS**

U.S. Appl. No. 29/603,881, Restriction Requirement—Notice of References Cited, dated May 17, 2018, USPTO.

*Primary Examiner* — Cynthia M. Chin  
(74) *Attorney, Agent, or Firm* — Millman IP Inc.

(56) **References Cited**

**U.S. PATENT DOCUMENTS**

D212,566 S \* 10/1968 Maloof ..... 446/307  
D219,077 S \* 10/1970 Voyce ..... D12/305  
3,765,356 A \* 10/1973 Cook ..... B63B 1/24  
114/280  
4,080,922 A 3/1978 Brubaker  
4,712,630 A 12/1987 Blum  
D313,584 S \* 1/1991 Linebaugh ..... D12/305  
5,267,626 A 12/1993 Tanfield, Jr.  
D345,542 S \* 3/1994 Duncan ..... D12/300  
5,357,894 A 10/1994 Jacobson  
5,415,365 A 5/1995 Ratliff  
5,727,495 A 3/1998 Reslein  
6,014,940 A 1/2000 Jacobson  
6,158,540 A 12/2000 Rice et al.  
D451,560 S \* 12/2001 Tilbor ..... D21/542  
D544,927 S \* 6/2007 Sanger, II ..... D21/542  
D591,364 S \* 4/2009 Nagaoka ..... D21/542  
D646,198 S \* 10/2011 Desberg ..... D12/305  
8,657,053 B2 2/2014 Novikov-Kopp

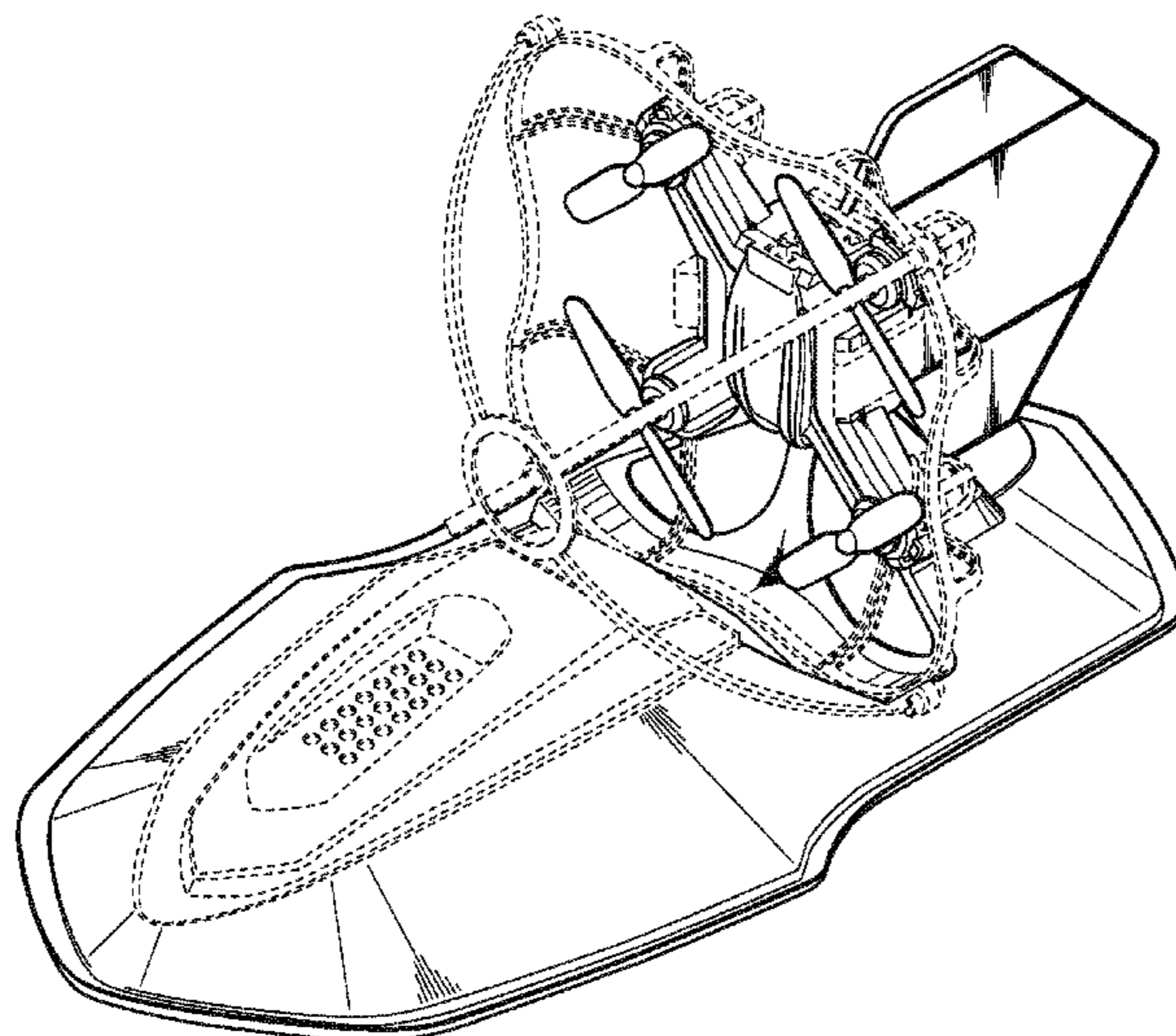
(57) **CLAIM**

The ornamental design for a model vehicle, as shown and described.

**DESCRIPTION**

FIG. 1 is a perspective view from above, to the front and to one side of a new design for a model vehicle;  
FIG. 2 is a perspective view from above, to the rear and to one side thereof;  
FIG. 3 is a top view thereof;  
FIG. 4 is a left side view thereof;  
FIG. 5 is a right side view thereof;  
FIG. 6 is a front view thereof; and,  
FIG. 7 is a rear view thereof.  
In the drawings, the broken lines are for the purpose of illustrating portions of the article that form no part of the claim.

**1 Claim, 7 Drawing Sheets**



(56)

**References Cited**

U.S. PATENT DOCUMENTS

2007/0010159 A1 1/2007 Butler et al.  
2009/0008499 A1 1/2009 Shaw  
2009/0294573 A1 12/2009 Wilson et al.  
2011/0315806 A1 12/2011 Piasecki et al.  
2015/0217837 A1 8/2015 Szydłowski et al.  
2016/0167470 A1 6/2016 Seydoux et al.  
2016/0176514 A1 6/2016 Lavagen et al.

\* cited by examiner

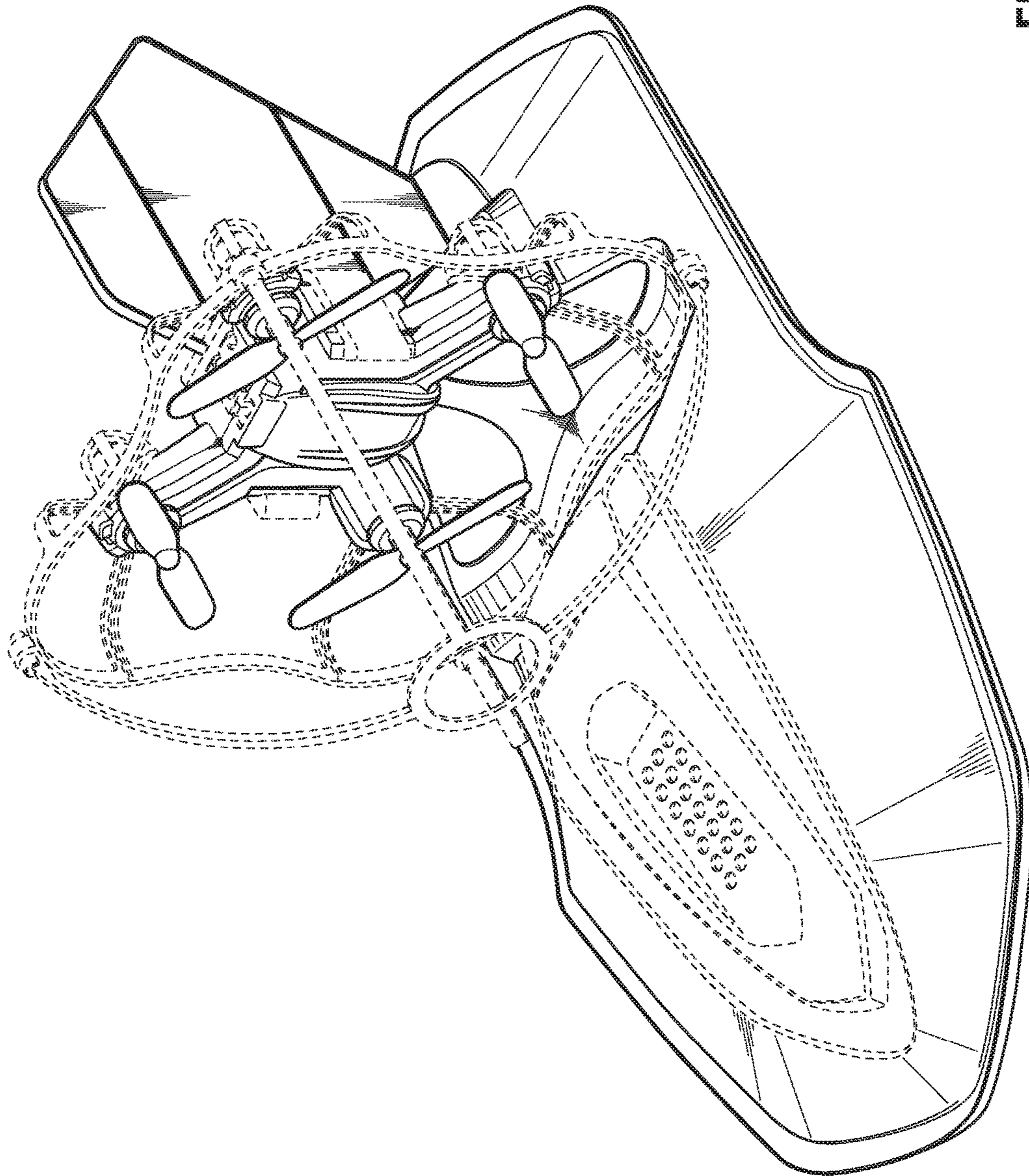


FIG. 1

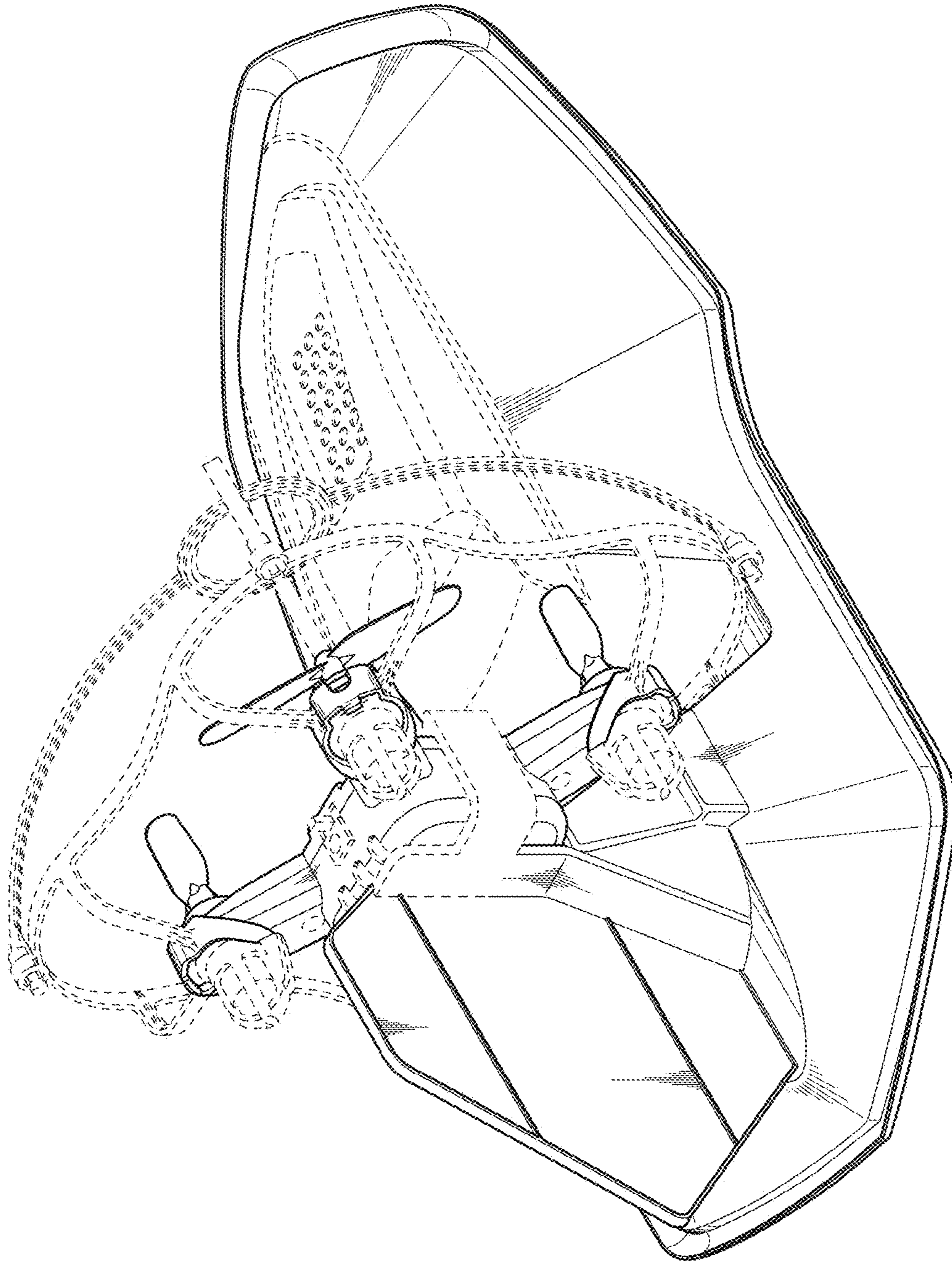


FIG. 2

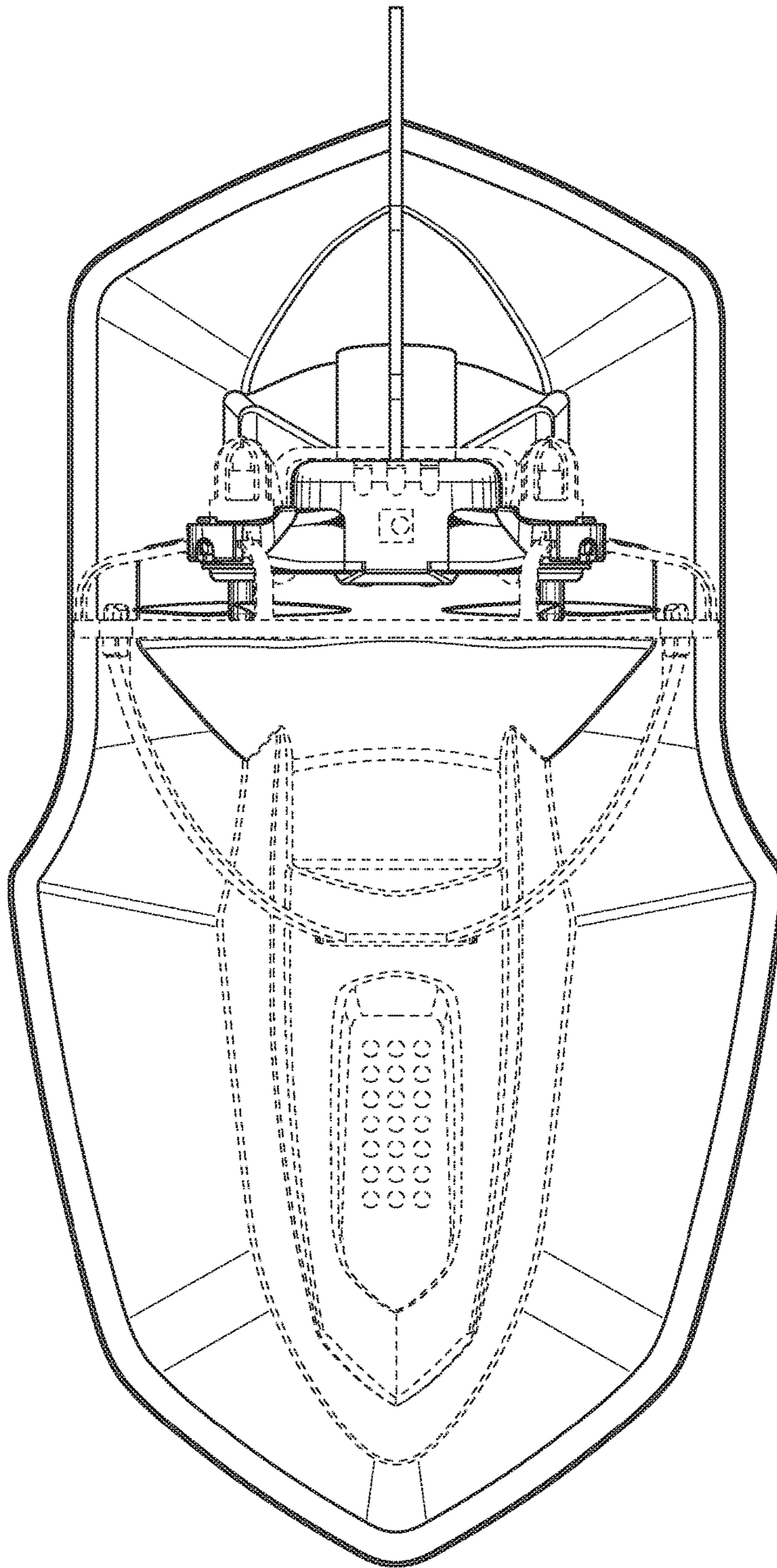


FIG. 3

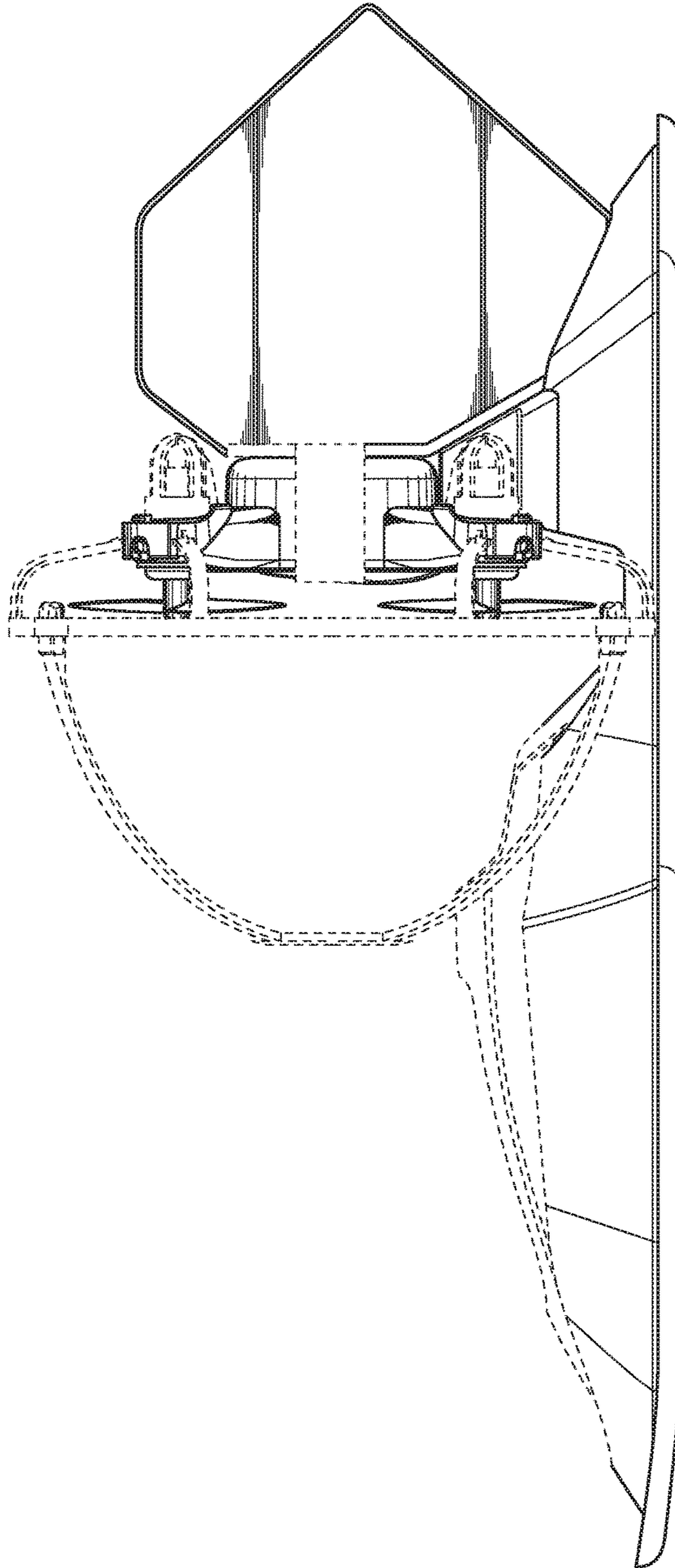


FIG. 4

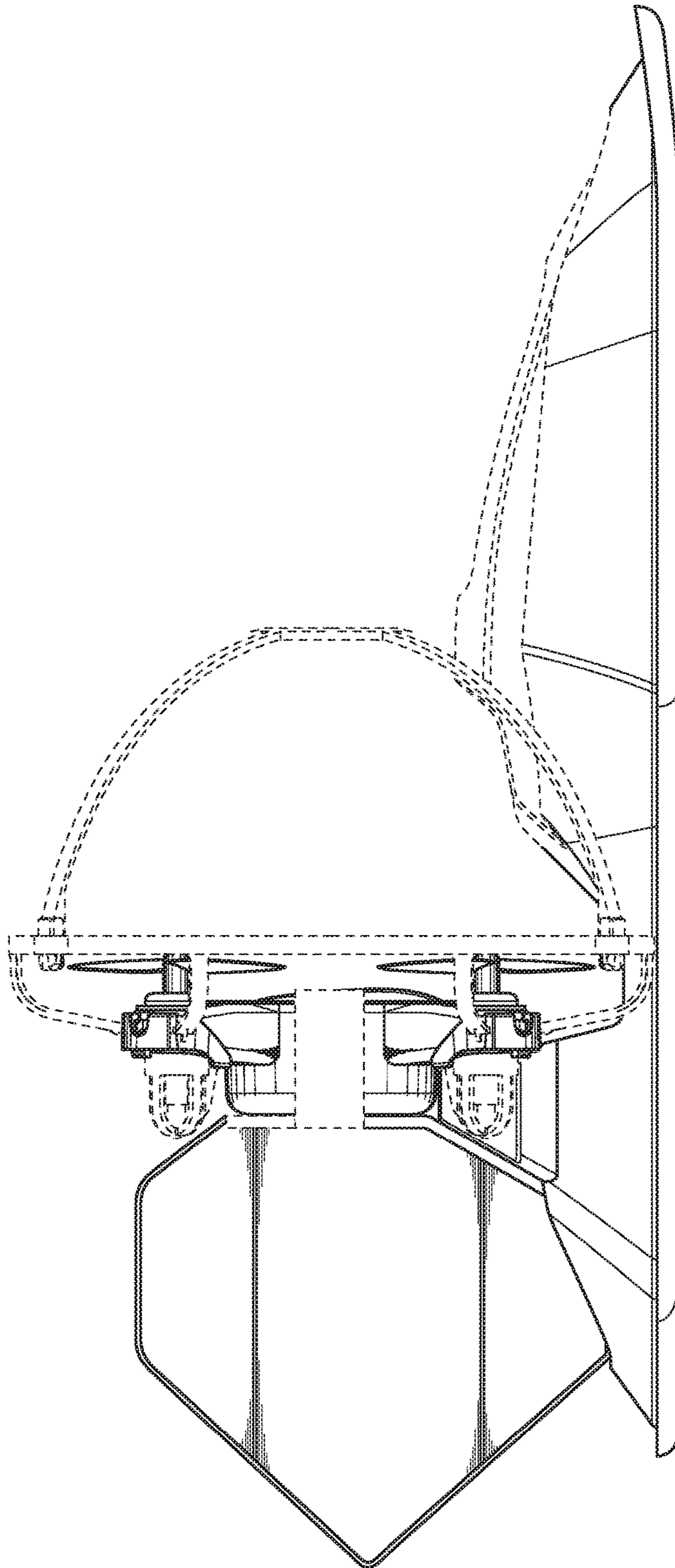


FIG. 5

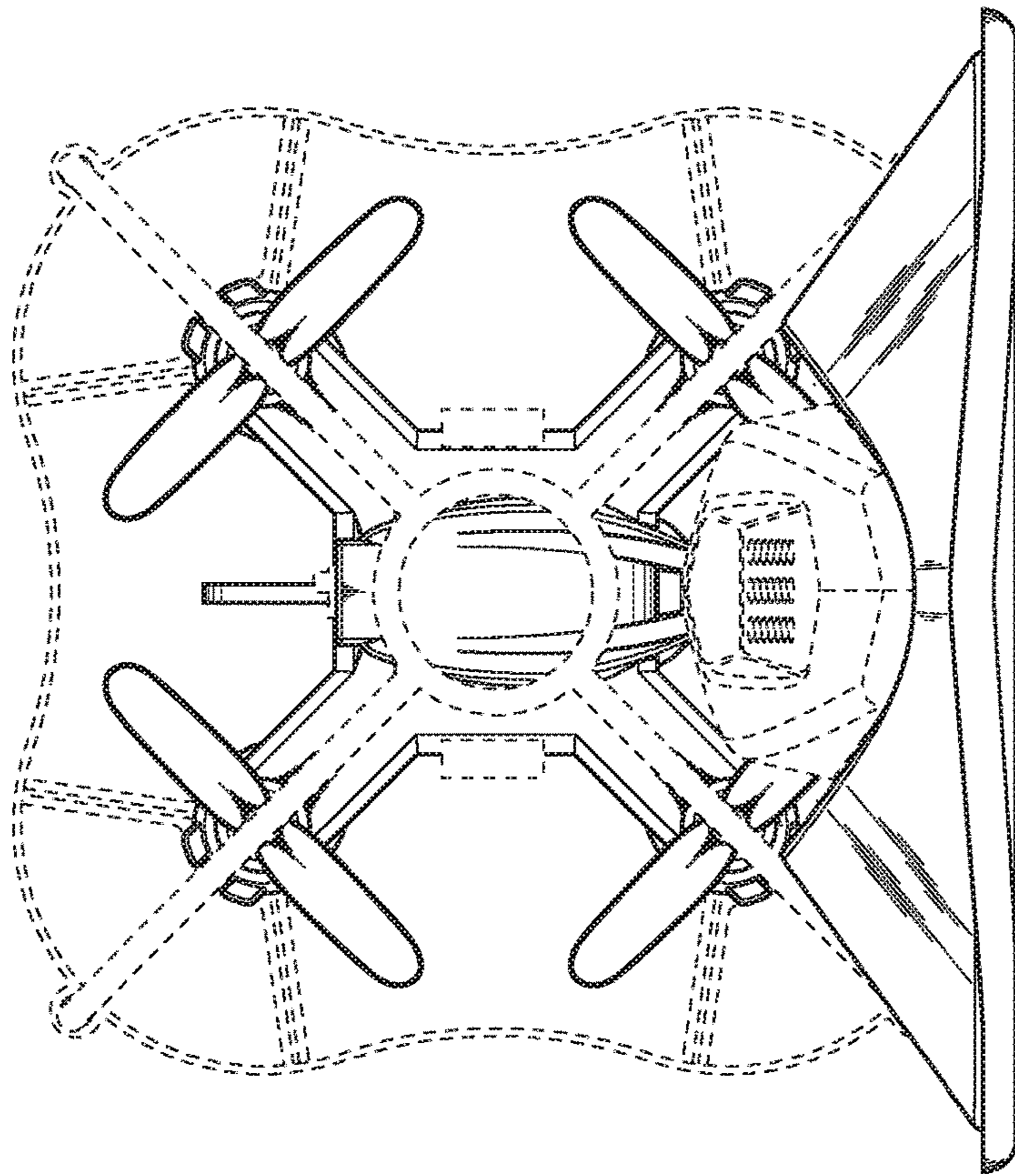


FIG. 6



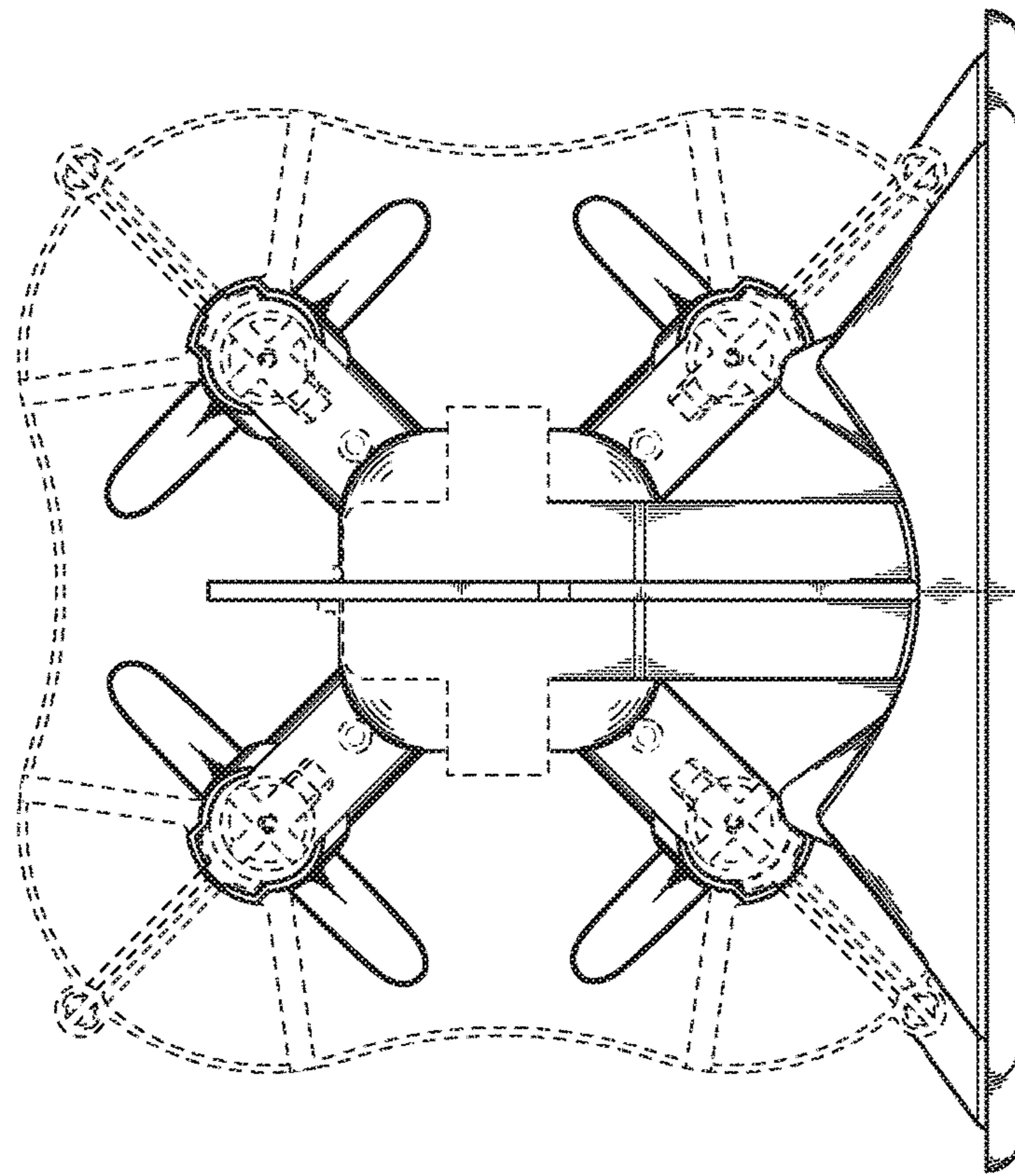


FIG. 7