



US00D857805S

(12) **United States Design Patent** (10) **Patent No.:** **US D857,805 S**
Jensen (45) **Date of Patent:** **** Aug. 27, 2019**

(54) **TOY BUILDING BRICK**

(71) Applicant: **LEGO A/S**, Billund (DK)

(72) Inventor: **Kurt Jensen**, Vejle (DK)

(73) Assignee: **LEGO A/S**, Billund (DK)

(**) Term: **15 Years**

(21) Appl. No.: **29/645,215**

(22) Filed: **Apr. 24, 2018**

Related U.S. Application Data

(62) Division of application No. 35/502,465, filed on Dec. 8, 2016 (U.S. filing date under 35 U.S.C. 384), and having an international filing date of Dec. 8, 2016, now Pat. No. Des. 830,477.

(51) **LOC (12) Cl.** **21-01**

(52) **U.S. Cl.**
USPC **D21/499**

(58) **Field of Classification Search**
USPC D21/386, 389, 404, 468, 470, 471, D21/484-505
CPC A63H 33/00; A63H 33/04; A63H 33/044; A63H 33/06; A63H 33/08; A63H 33/084; A63H 33/086; A63H 33/088; A63H 33/10; A63H 33/12; A63H 33/105; A63H 33/108; A63H 3/00; A63H 3/16; A63H 3/46; E04C 1/00; E04C 1/40; E04B 2/14; E04B 2/16; E04B 2/18

See application file for complete search history.

(56) **References Cited**

U.S. PATENT DOCUMENTS

D281,183 S *	10/1985	Kato	D21/502
D410,044 S *	5/1999	Krog	D21/503
D688,328 S *	8/2013	Holm	D21/484
D695,851 S *	12/2013	Holm	D21/504
D707,305 S *	6/2014	Norman	D21/503

* cited by examiner

Primary Examiner — Zenia I Bennett

(74) *Attorney, Agent, or Firm* — Day Pitney LLP

(57) **CLAIM**

The ornamental design for toy building brick, as shown and described.

DESCRIPTION

FIG. 1 is a front perspective view of my ornamental design for toy building brick;
FIG. 2 is a top plan view thereof;
FIG. 3 is a rear elevational view thereof;
FIG. 4 is a left side elevational view thereof;
FIG. 5 is a front elevational view thereof;
FIG. 6 is a right side elevational view thereof;
FIG. 7 is a bottom plan view thereof; and,
FIG. 8 is a bottom perspective view thereof.

1 Claim, 8 Drawing Sheets

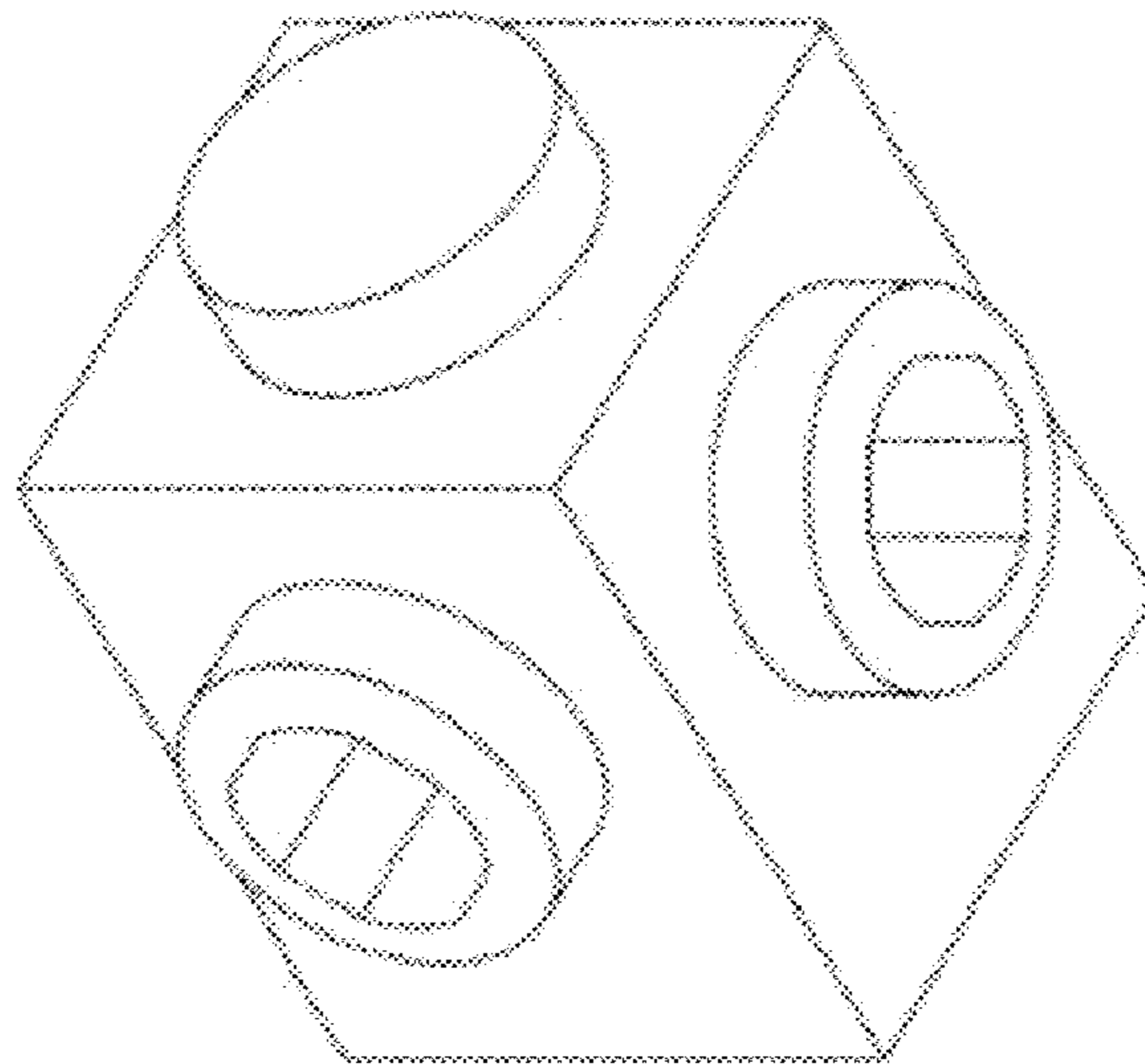


FIG. 1

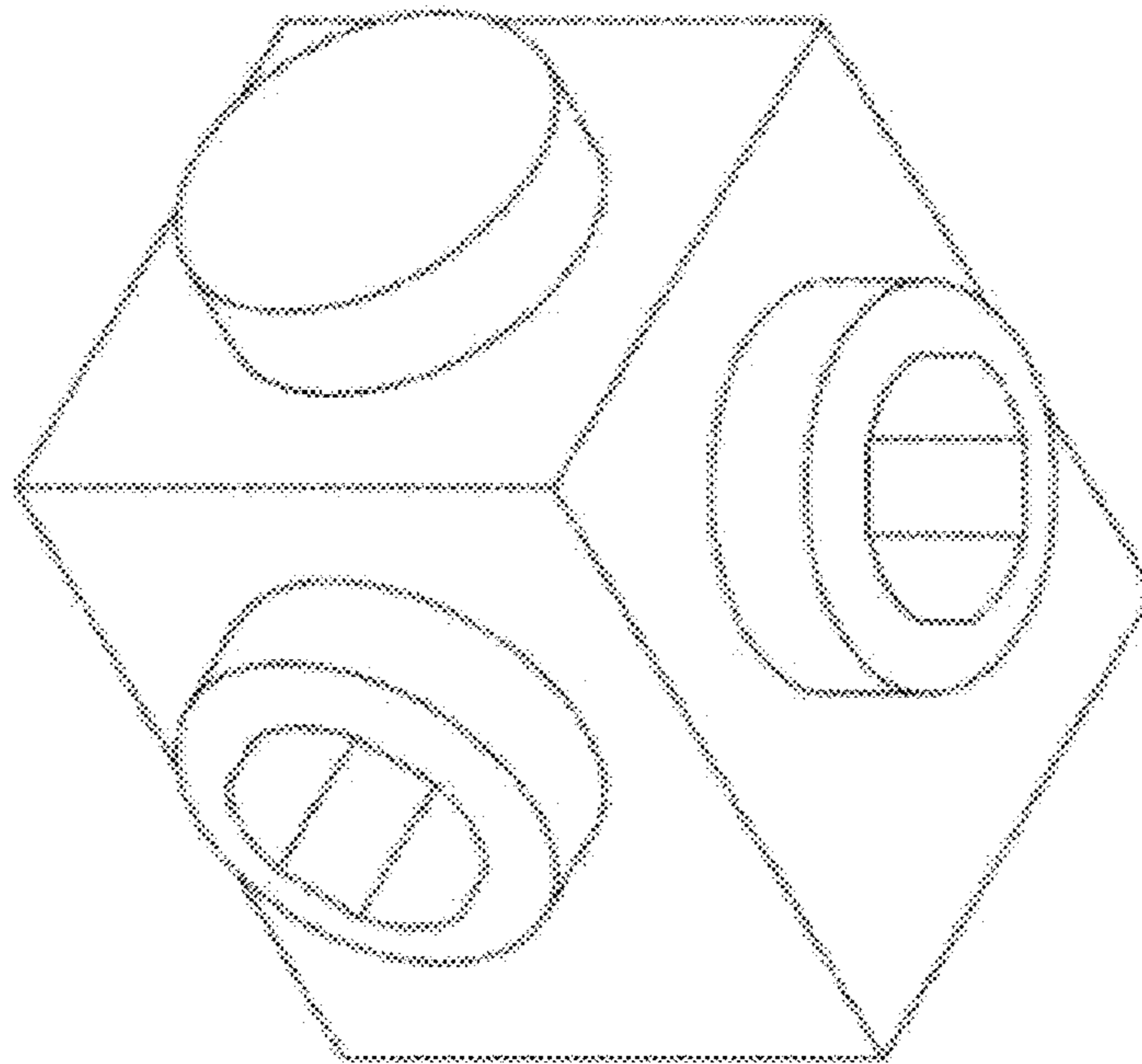


FIG. 2

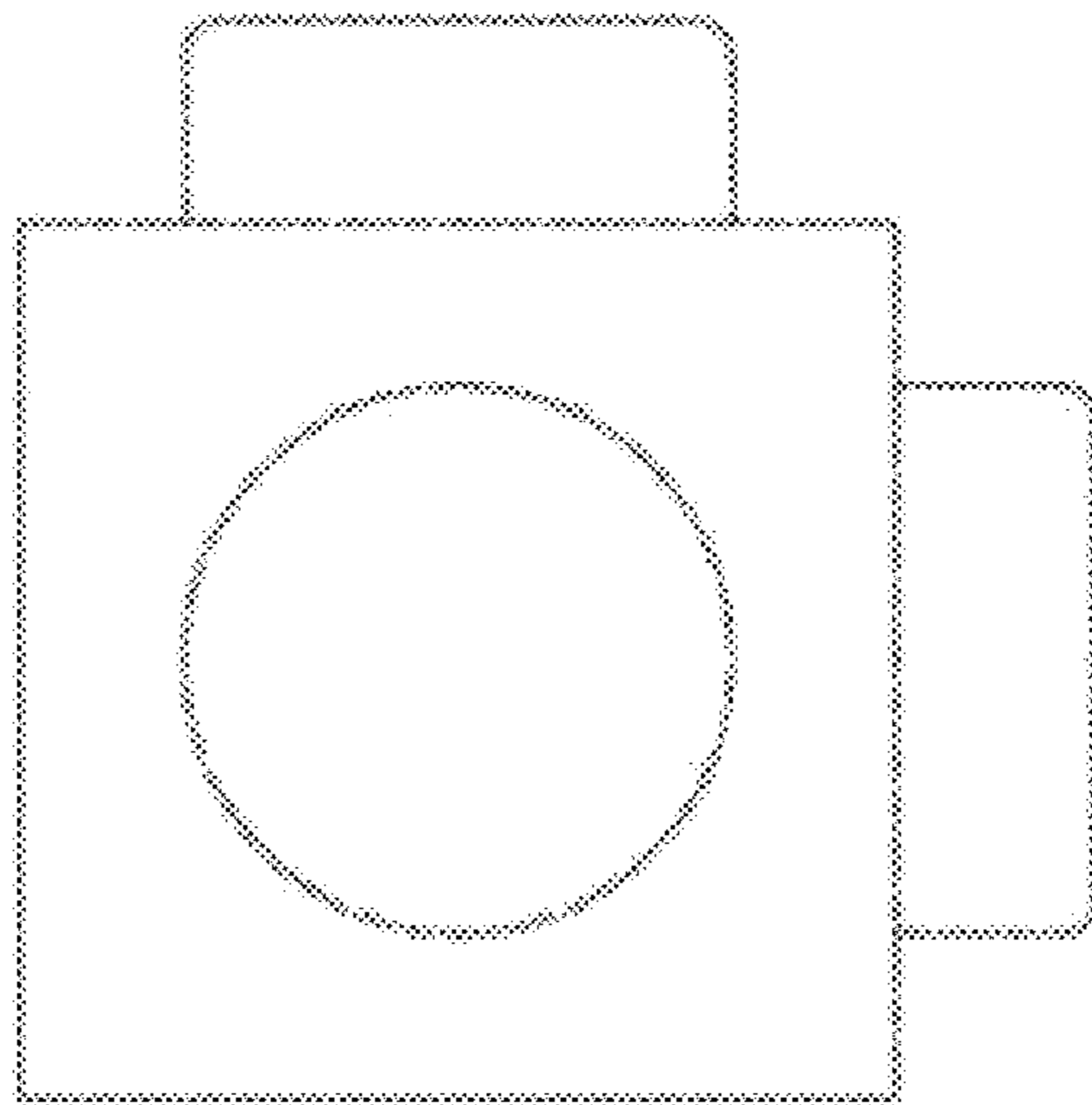


FIG. 3

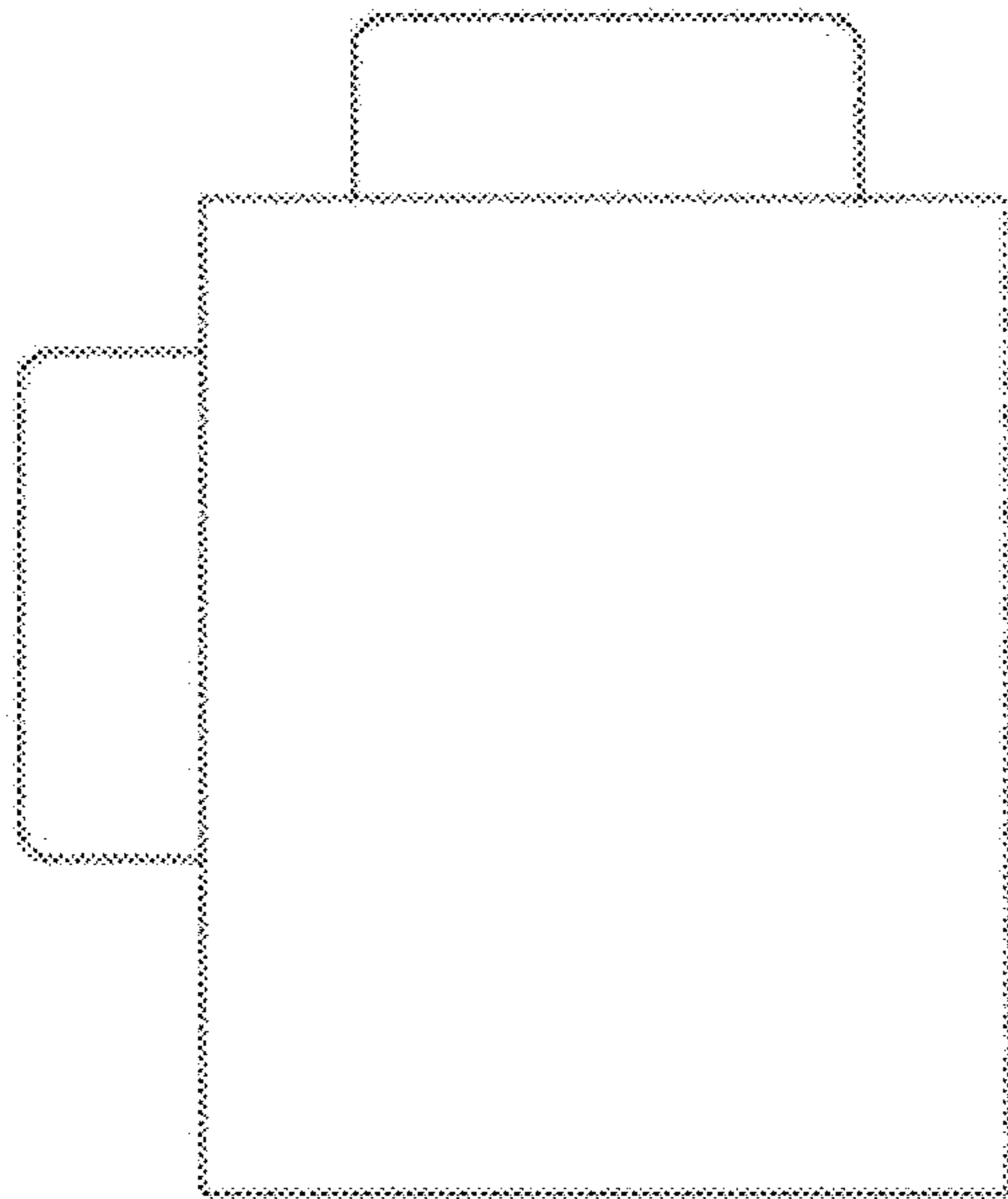


FIG. 4

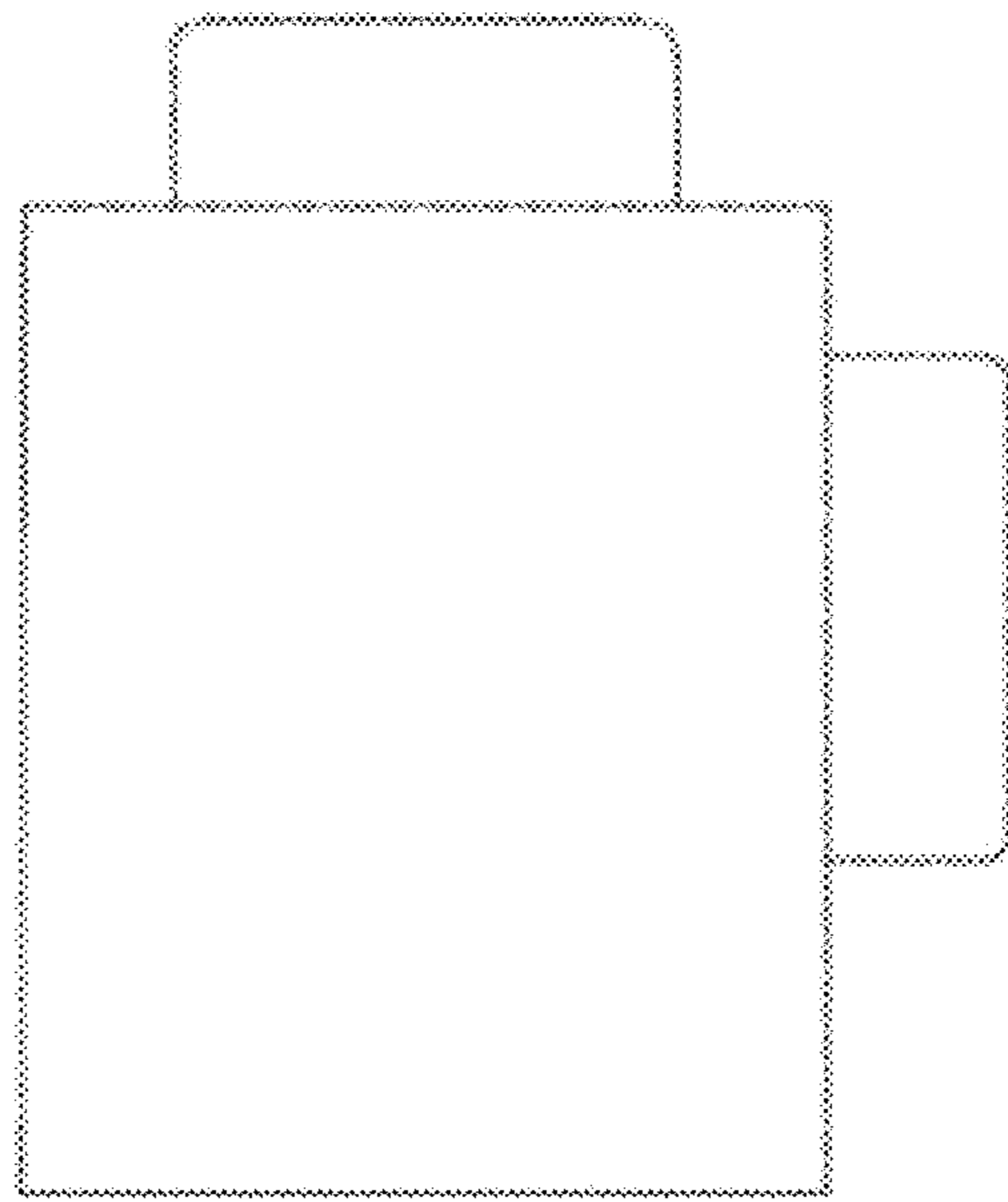


FIG. 5

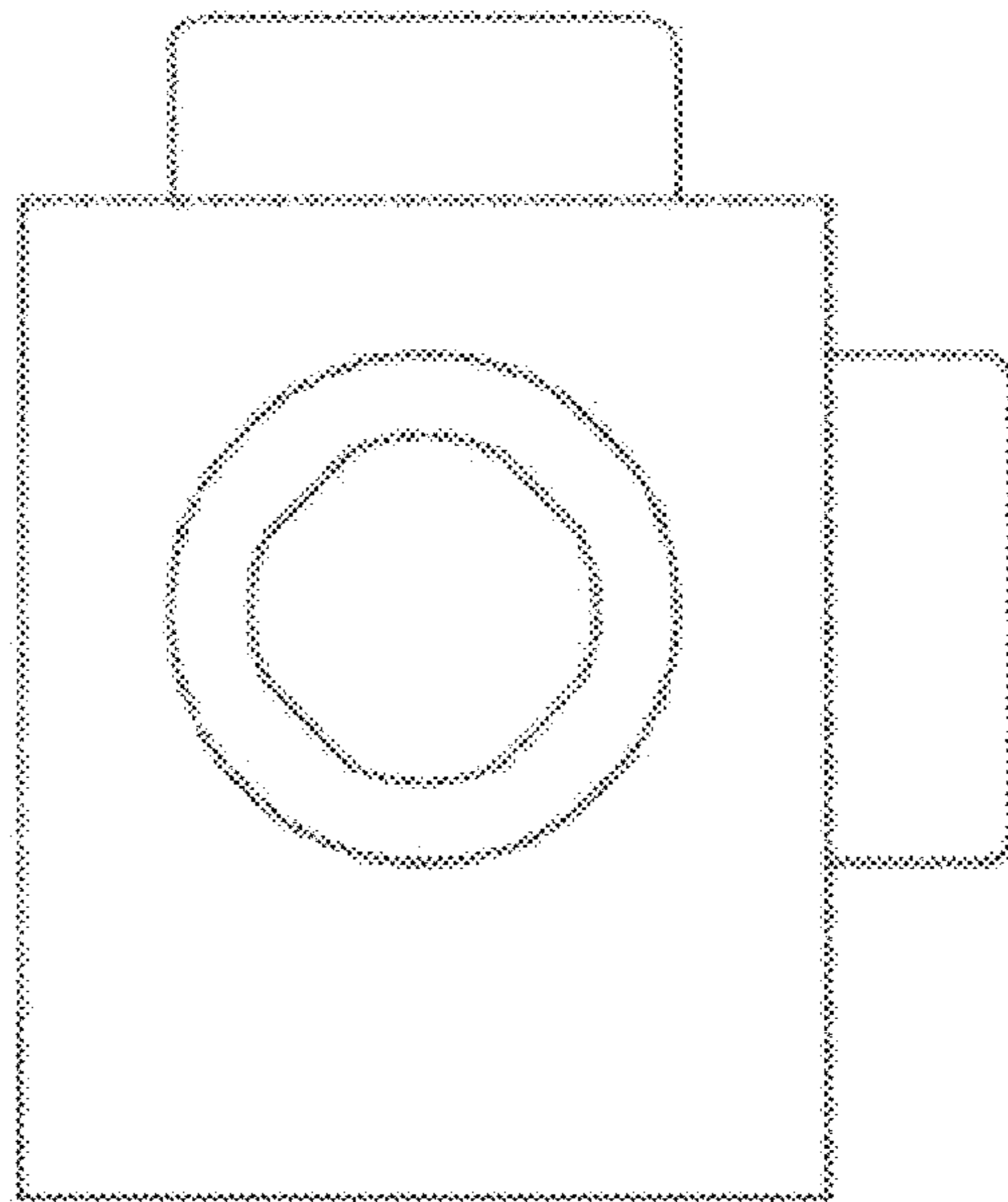


FIG. 6

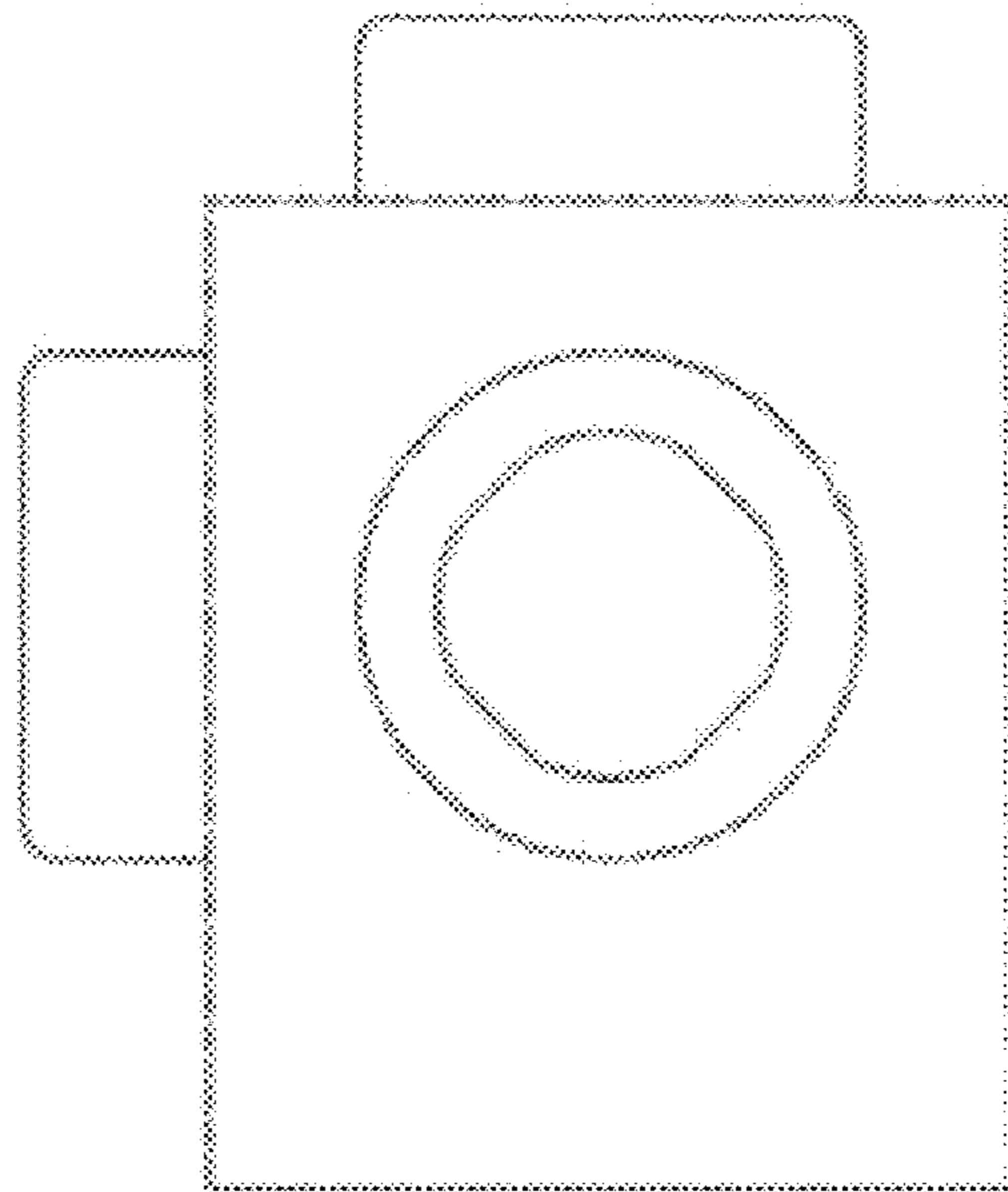


FIG. 7

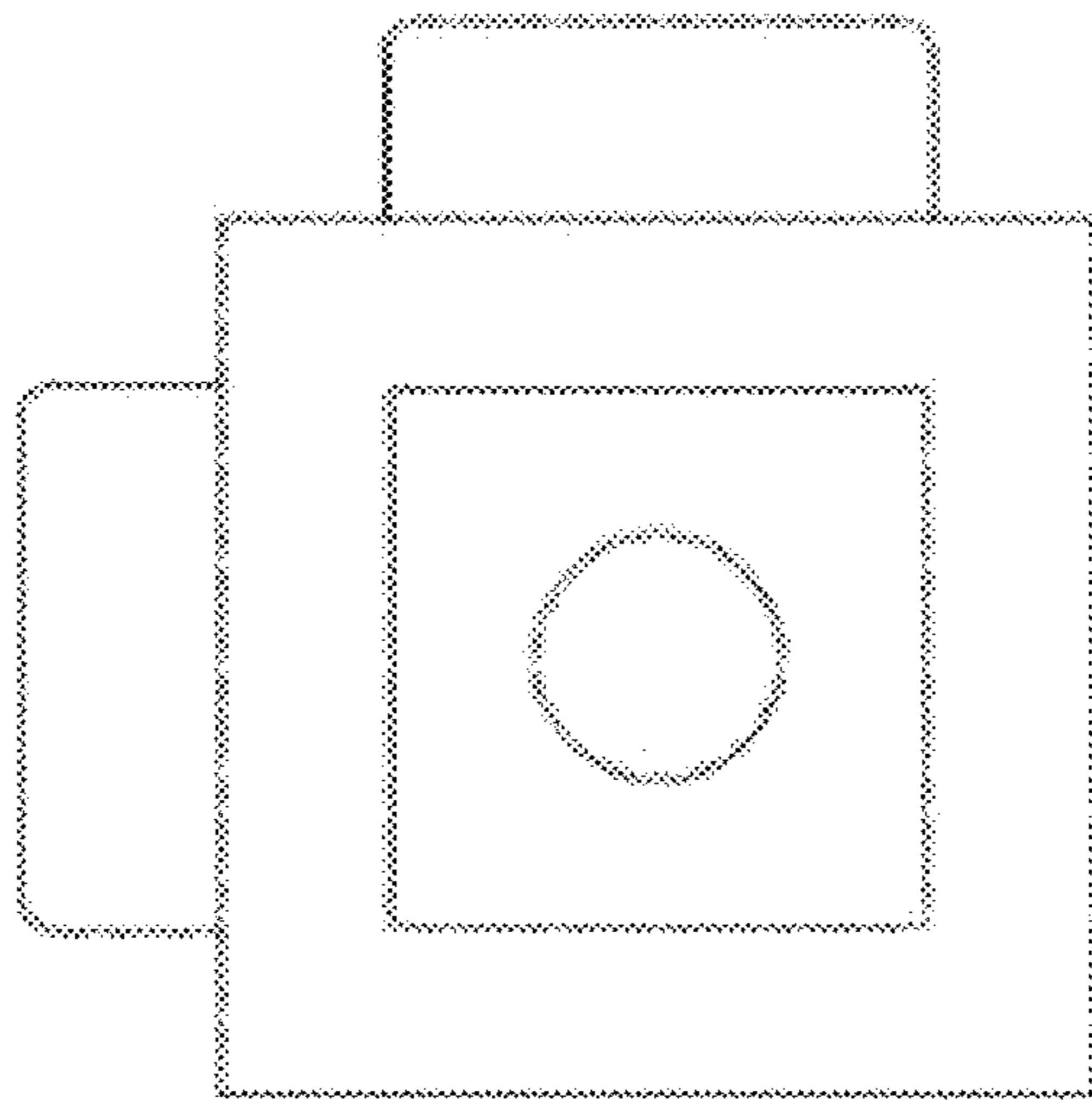


FIG. 8

