

US00D857802S

(12) **United States Design Patent** (10) **Patent No.:** **US D857,802 S**
Felker et al. (45) **Date of Patent:** **** Aug. 27, 2019**

(54) **ENERGY KITE WING**
(71) Applicant: **Makani Technologies LLC**, Alameda, CA (US)
(72) Inventors: **Fort Felker**, Alameda, CA (US); **Florian Kapsenberg**, Alameda, CA (US)
(73) Assignee: **Makani Technologies LLC**, Alameda, CA (US)

D404,705 S * 1/1999 Eccker D12/321
D406,618 S * 3/1999 Harada D21/450
D407,126 S * 3/1999 Wang D21/445
D430,529 S * 9/2000 Hajek D12/319
D476,289 S * 6/2003 Kendall D12/319
D492,970 S * 7/2004 Tabor D21/445
D495,376 S * 8/2004 Zee D21/450
D495,761 S * 9/2004 Darack D12/321
D496,074 S * 9/2004 Darack D12/321
D543,248 S * 5/2007 Winston D21/450
D624,867 S * 10/2010 Gall D12/345

(Continued)

(**) Term: **15 Years**

OTHER PUBLICATIONS

(21) Appl. No.: **29/611,063**

Google's giant kite by Dacia J. Ferris. posted Dec. 6, 2018. found online [Mar. 25, 2019] <https://www.teslarati.com/google-x-clean-energy-kite-wind-power-generation-anywhere/>.*

(22) Filed: **Jul. 18, 2017**

(51) **LOC (12) Cl.** **21-01**

(52) **U.S. Cl.**
USPC **D21/445**

(58) **Field of Classification Search**
USPC D21/437-454; D12/16.1, 319-345
CPC B64C 31/06; B64C 27/52; B64D 1/02
See application file for complete search history.

Primary Examiner — Marissa J Cash

(74) *Attorney, Agent, or Firm* — McDonnell Boehnen Hulbert & Berghoff LLP

(57) **CLAIM**

The ornamental design for an energy kite wing, as shown and described.

(56) **References Cited**

DESCRIPTION

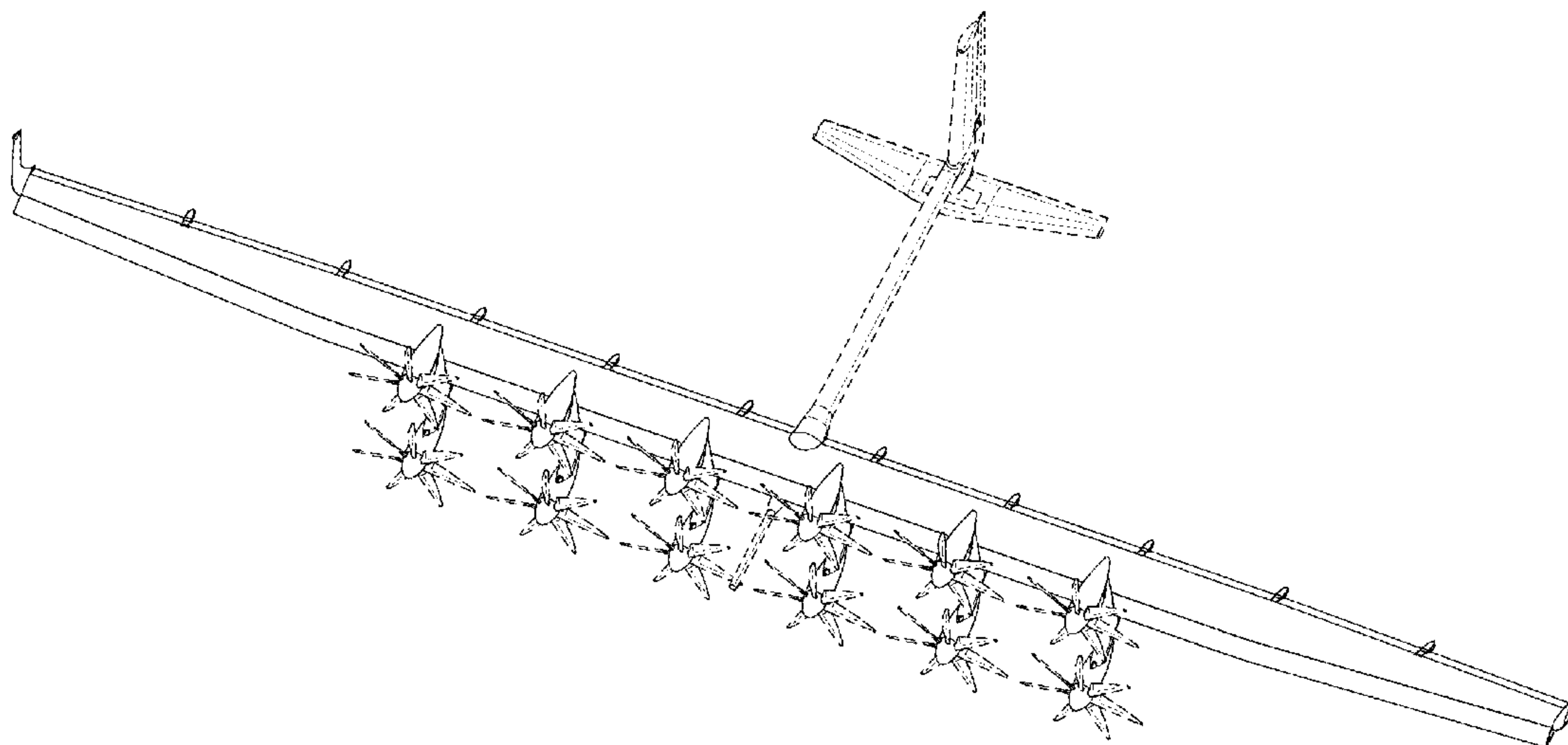
U.S. PATENT DOCUMENTS

D121,431 S * 7/1940 Taylor et al. D12/336
D128,173 S * 7/1941 Oliver D12/335
D133,913 S * 9/1942 Maycen 244/13
D142,862 S * 11/1945 Hall 244/13
D172,969 S * 9/1954 Johnson et al. D12/341
D183,383 S * 8/1958 Projo de Asis D12/324
D201,892 S * 8/1965 Katz D21/450
D232,711 S * 9/1974 Kirchner 244/13
D232,712 S * 9/1974 Brown D12/337
D245,637 S * 8/1977 Jewett D21/450
D276,996 S * 1/1985 McNab D12/345
D280,113 S * 8/1985 Lorist D21/446
D325,940 S * 5/1992 Ninomiya D21/449
D348,426 S * 7/1994 Rinaldibarbosa D12/321
D388,392 S * 12/1997 McGinnis D12/319

FIG. 1 is a perspective view of an energy kite wing;
FIG. 2 is a further perspective view thereof;
FIG. 3 is a front view thereof;
FIG. 4 is a rear view thereof;
FIG. 5 is a right side view thereof;
FIG. 6 is a left side view thereof;
FIG. 7 is a top view thereof; and,
FIG. 8 is a bottom view thereof.

In the drawings, broken lines immediately adjacent shaded surfaces represent boundaries of the claim and form no part thereof; all other broken lines depict environmental subject matter that forms no part of the claim.

1 Claim, 8 Drawing Sheets



(56)

References Cited

U.S. PATENT DOCUMENTS

D628,528 S * 12/2010 Cabezas Carrasco D12/319
D665,331 S * 8/2012 Sands D12/319
D678,169 S * 3/2013 Kennelly D12/319
D706,678 S * 6/2014 Earon D12/16.1
D725,548 S * 3/2015 Herald D12/16.1
D733,029 S * 6/2015 Dutertre D12/319
9,732,731 B2 * 8/2017 Hachtmann B64C 31/06
D807,273 S * 1/2018 Koppenwallner D12/337
D813,143 S * 3/2018 Belik D12/326
D818,931 S * 5/2018 Schmiderer D12/345
2016/0355259 A1 * 12/2016 Vander Lind B64D 1/08
2018/0072404 A1 * 3/2018 Prager B64C 19/00
2018/0072417 A1 * 3/2018 Shannon B64D 1/02

* cited by examiner

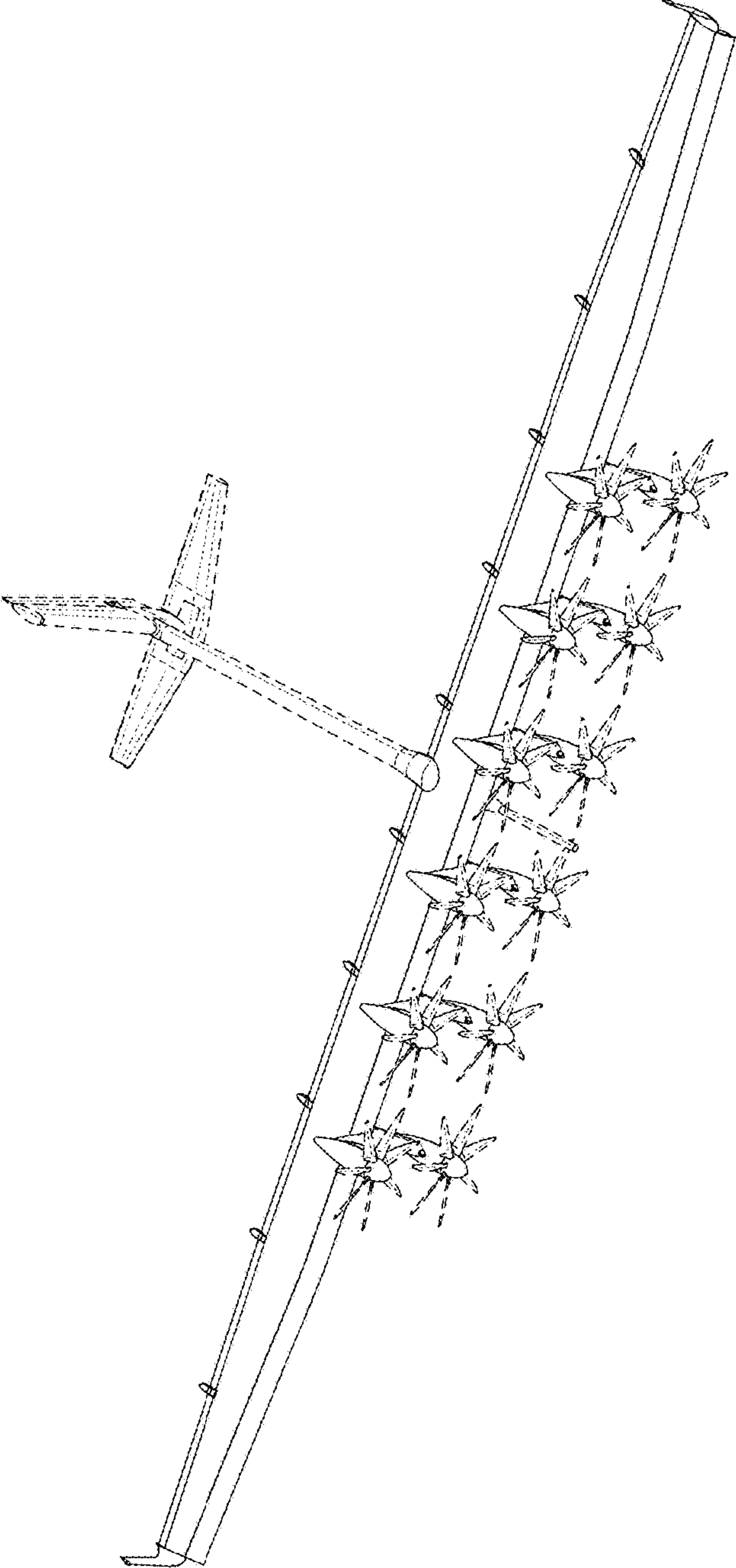


FIG. 1

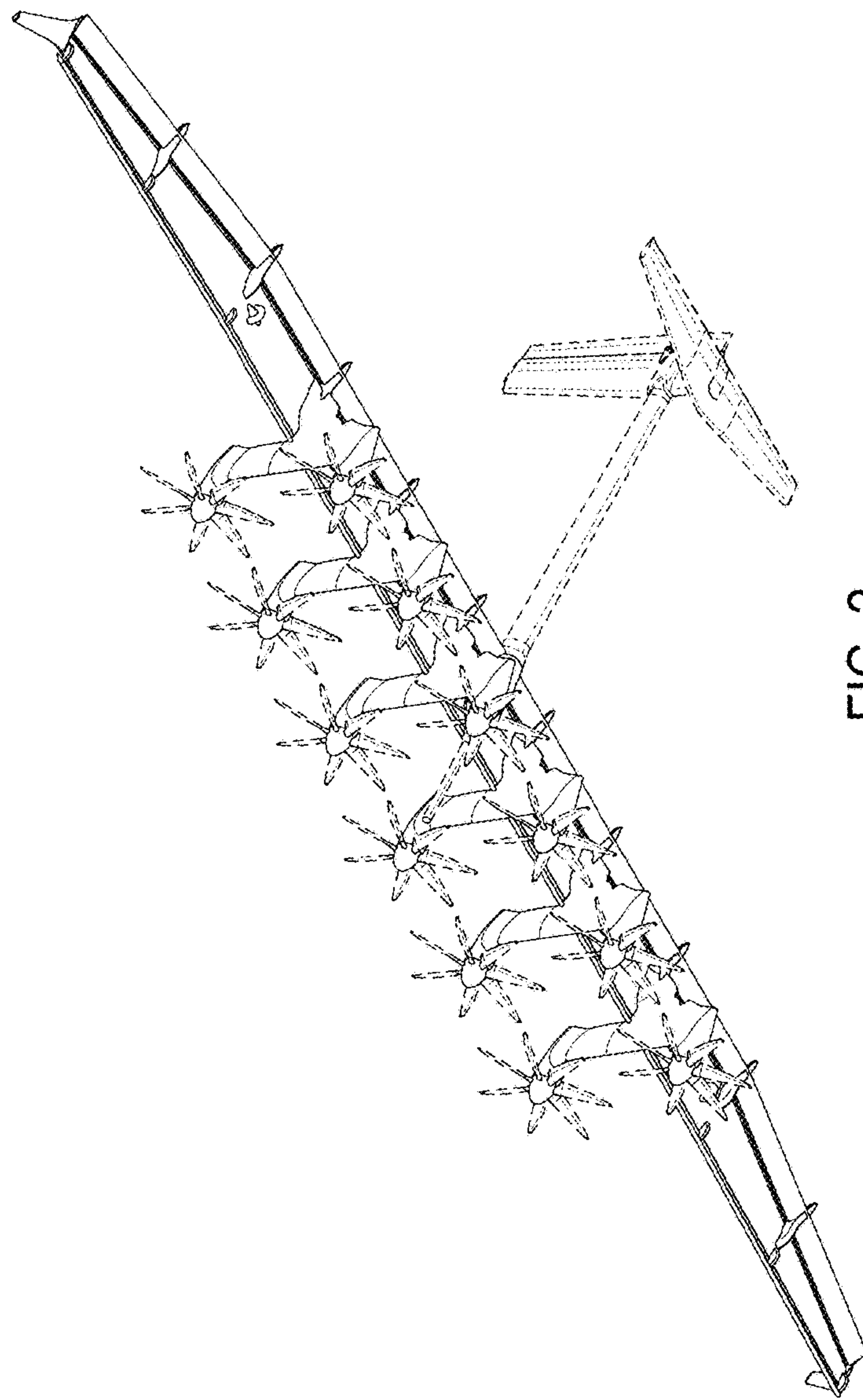


FIG. 2

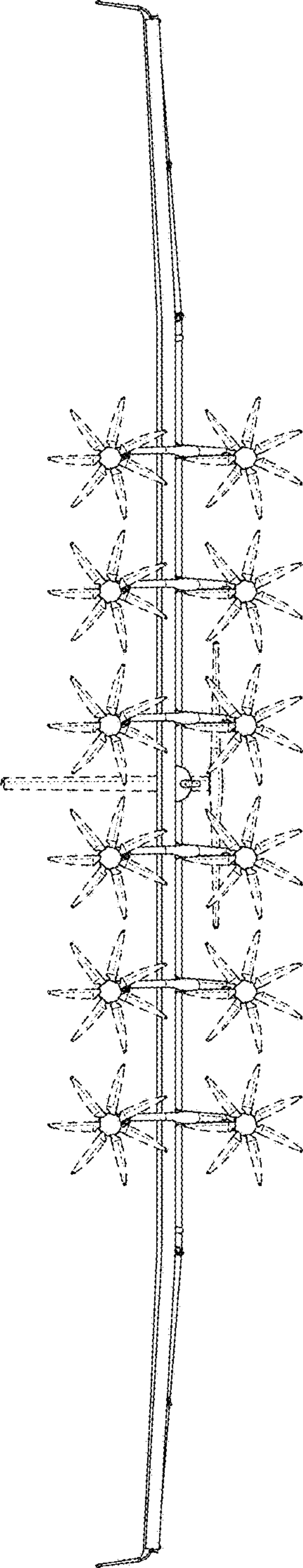


FIG. 3

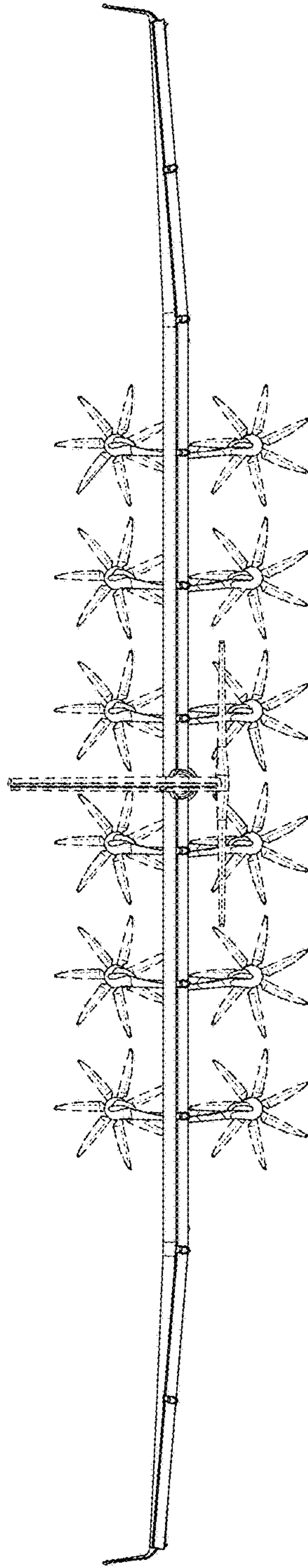


FIG. 4

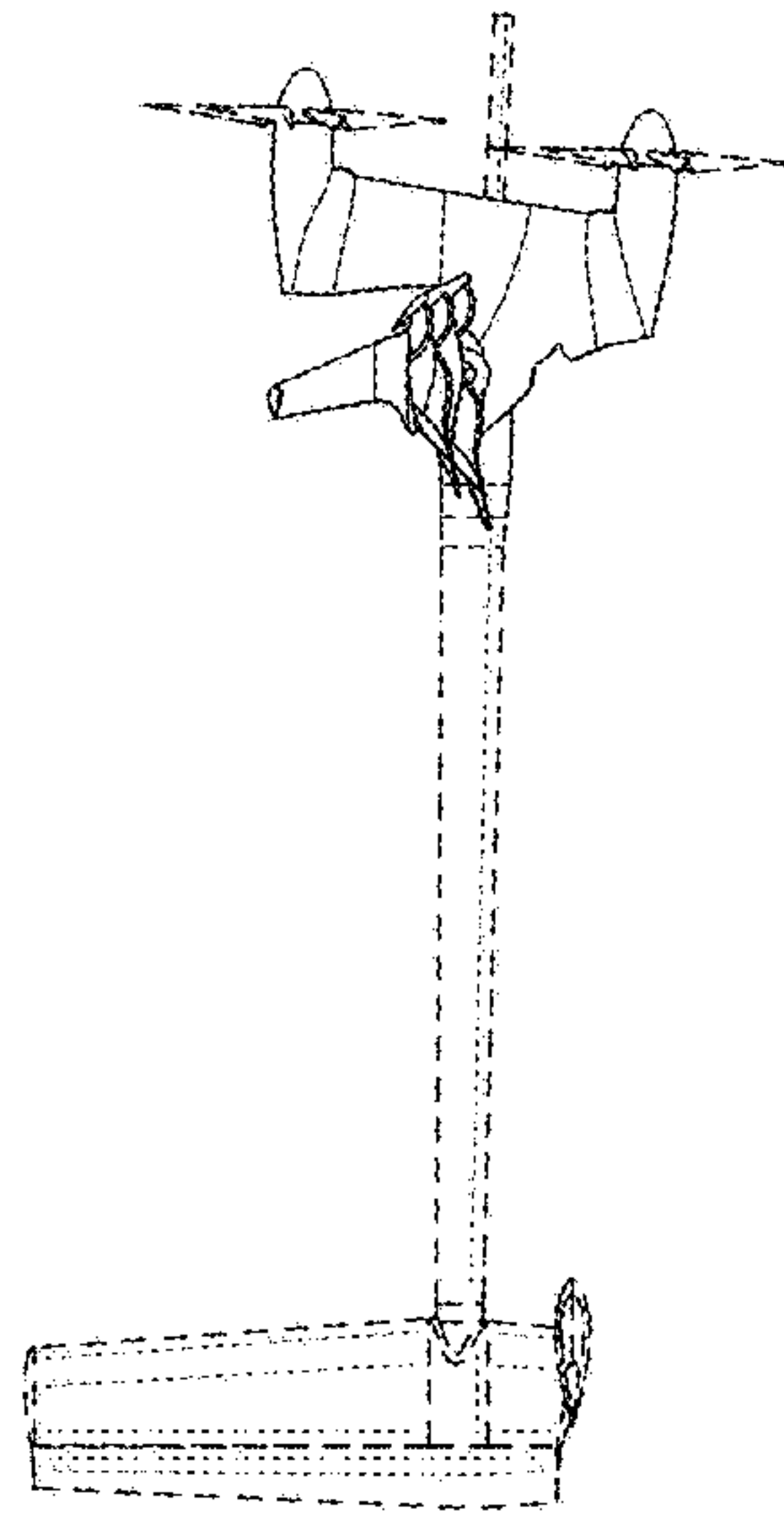


FIG. 5

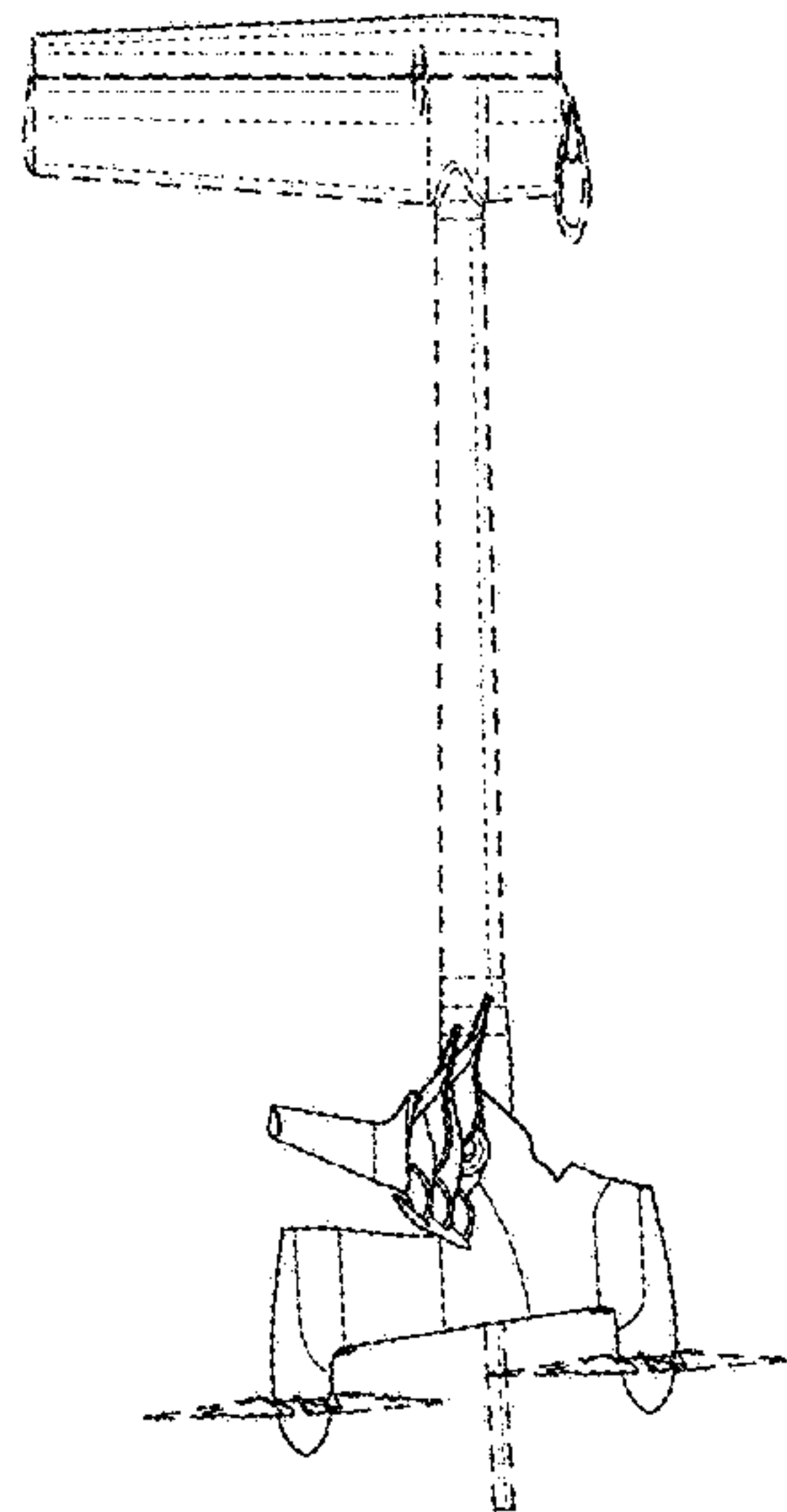


FIG. 6

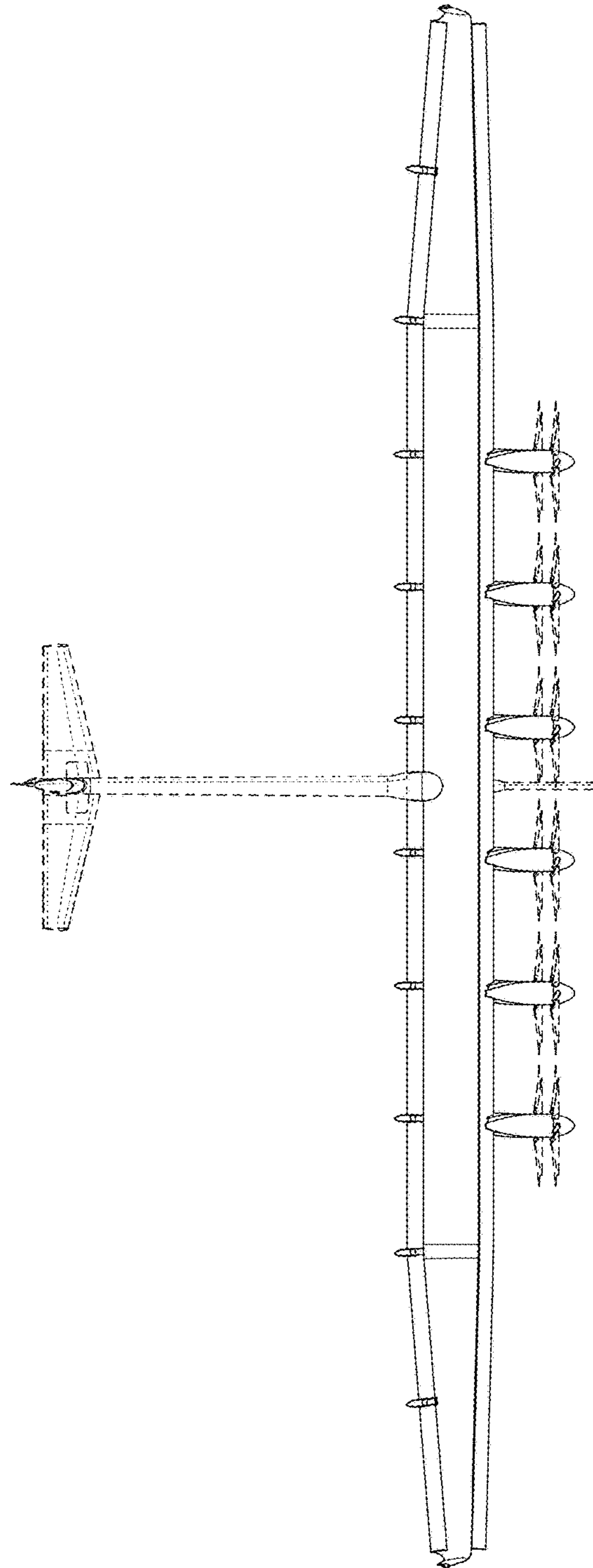


FIG. 7

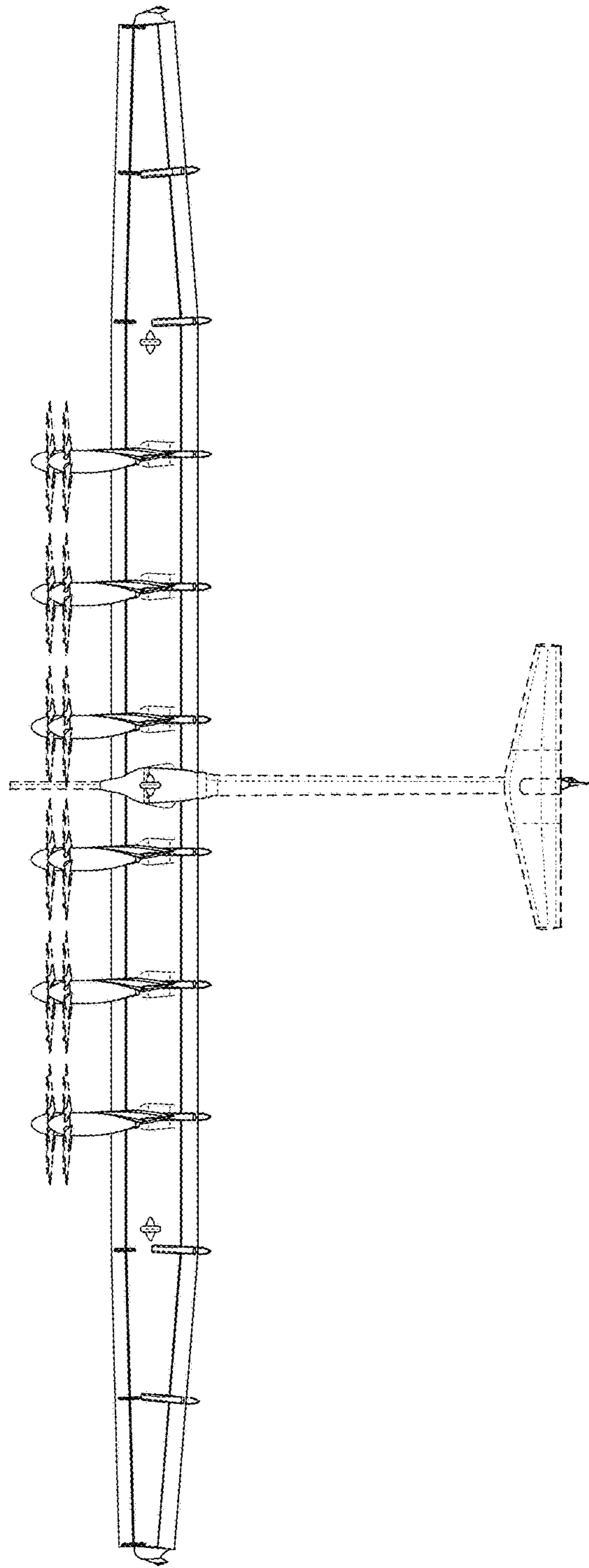


FIG. 8