



US00D857801S

(12) **United States Design Patent**  
**Ewringmann**

(10) **Patent No.:** **US D857,801 S**

(45) **Date of Patent:** **\*\* Aug. 27, 2019**

(54) **CHILDREN'S VEHICLE**

(71) Applicant: **Franz Schneider GmbH & Co. KG,**  
Neustadt (DE)

(72) Inventor: **Ulrich Ewringmann,** Taufkirchen (DE)

(73) Assignee: **FRANZ SCHNEIDER GMBH & CO.**  
**KG,** Neustadt (DE)

(\*\*) Term: **15 Years**

(21) Appl. No.: **29/570,168**

(22) Filed: **Jul. 6, 2016**

(30) **Foreign Application Priority Data**

Jan. 13, 2016 (EM) ..... 002943803

(51) **LOC (12) Cl.** ..... **21-01**

(52) **U.S. Cl.**  
USPC ..... **D21/431**

(58) **Field of Classification Search**

USPC ..... D21/419, 426, 431, 537, 539, 556, 833;  
D12/132; D15/24, 25

CPC ..... A63H 17/00; A63H 17/12; A63H 17/14  
See application file for complete search history.

(56) **References Cited**

**U.S. PATENT DOCUMENTS**

D297,239 S \* 8/1988 Funabashi ..... D15/23  
D310,374 S \* 9/1990 Westimayer ..... D15/15

D354,756 S \* 1/1995 Hinklin ..... D15/15  
D382,024 S \* 8/1997 Ewringmann ..... D21/431  
D478,131 S \* 8/2003 Schneider ..... D21/431  
D479,565 S \* 9/2003 Schneider ..... D21/431  
D484,552 S \* 12/2003 Schneider ..... D21/431  
D484,924 S \* 1/2004 Schneider ..... D21/431  
D720,369 S \* 12/2014 Furukawa ..... D15/23  
D759,128 S \* 6/2016 Yang ..... D15/23  
D777,214 S \* 1/2017 Moritaka ..... D15/23

\* cited by examiner

*Primary Examiner* — Cynthia M. Chin

(74) *Attorney, Agent, or Firm* — Greer, Burns & Crain,  
Ltd.

(57) **CLAIM**

The ornamental design for a children's vehicle, as shown  
and described.

**DESCRIPTION**

FIG. 1 is a rear view of a children's vehicle.

FIG. 2 is a front view thereof.

FIG. 3 is a top view thereof.

FIG. 4 is a bottom view thereof.

FIG. 5 is a left side view thereof.

FIG. 6 is a right side view thereof; and,

FIG. 7 is perspective view thereof.

The broken lines are for the purpose of illustrating portions  
of the article that form no part of the claimed design.

**1 Claim, 7 Drawing Sheets**

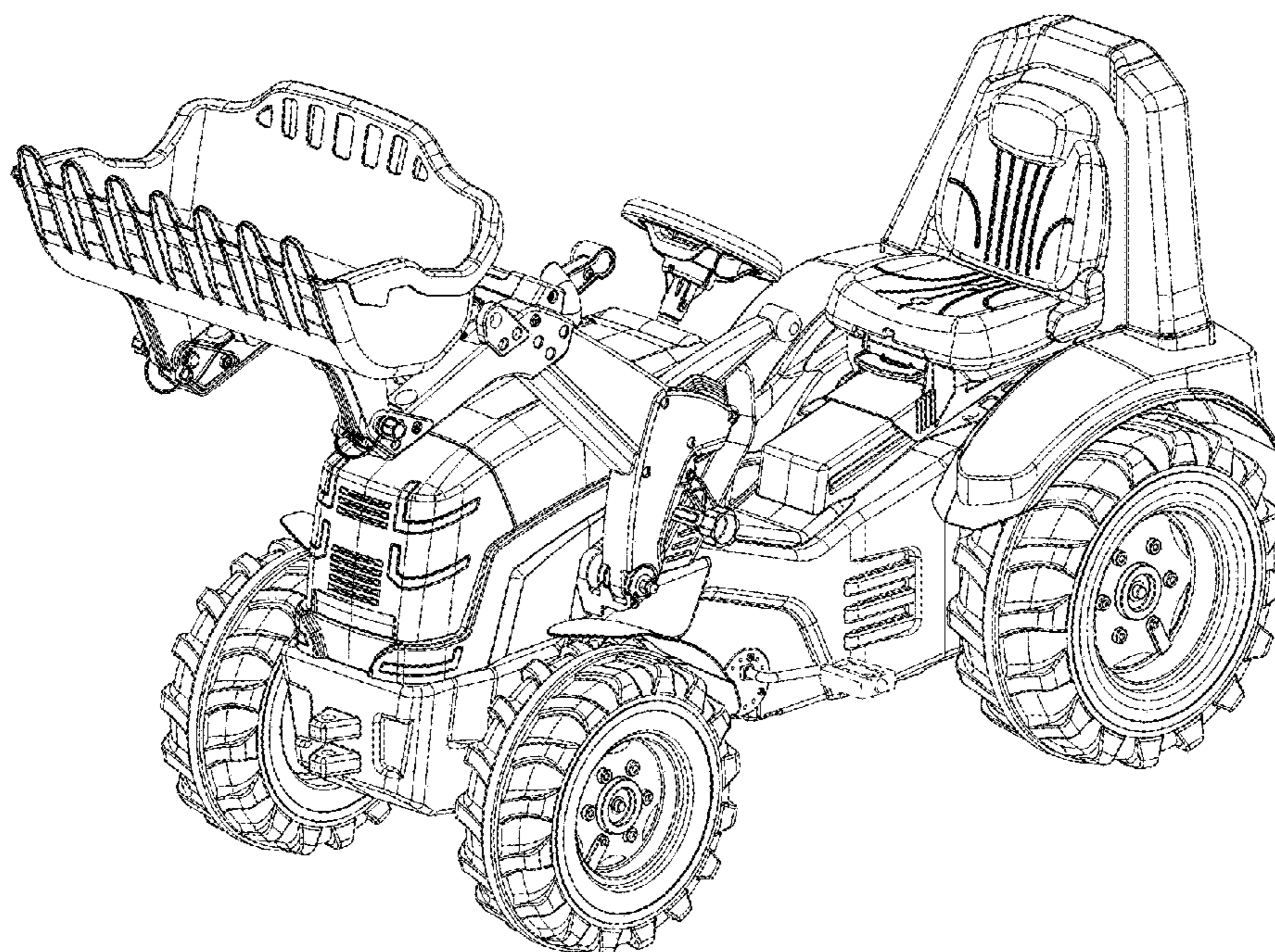


FIG. 1

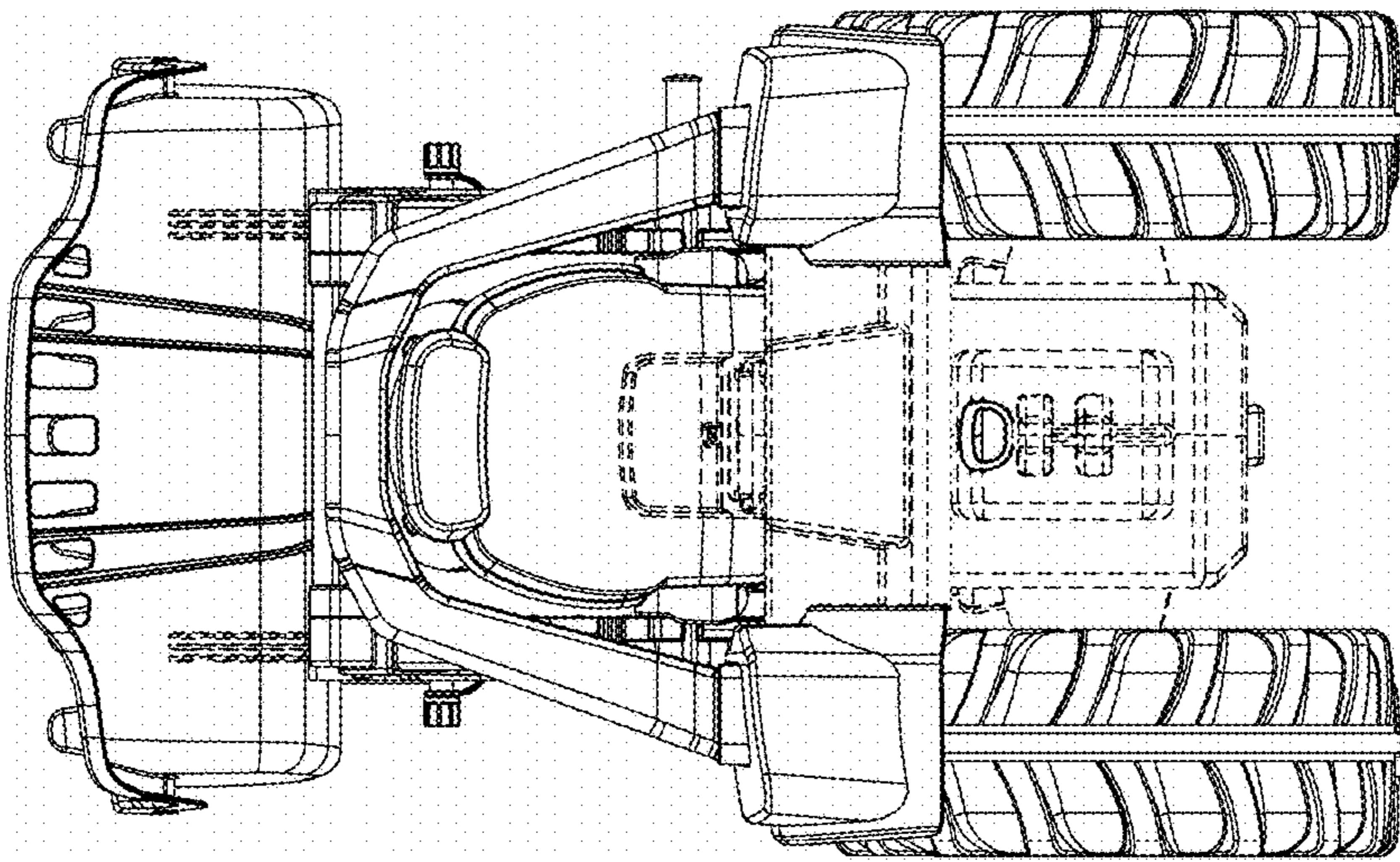




FIG. 2

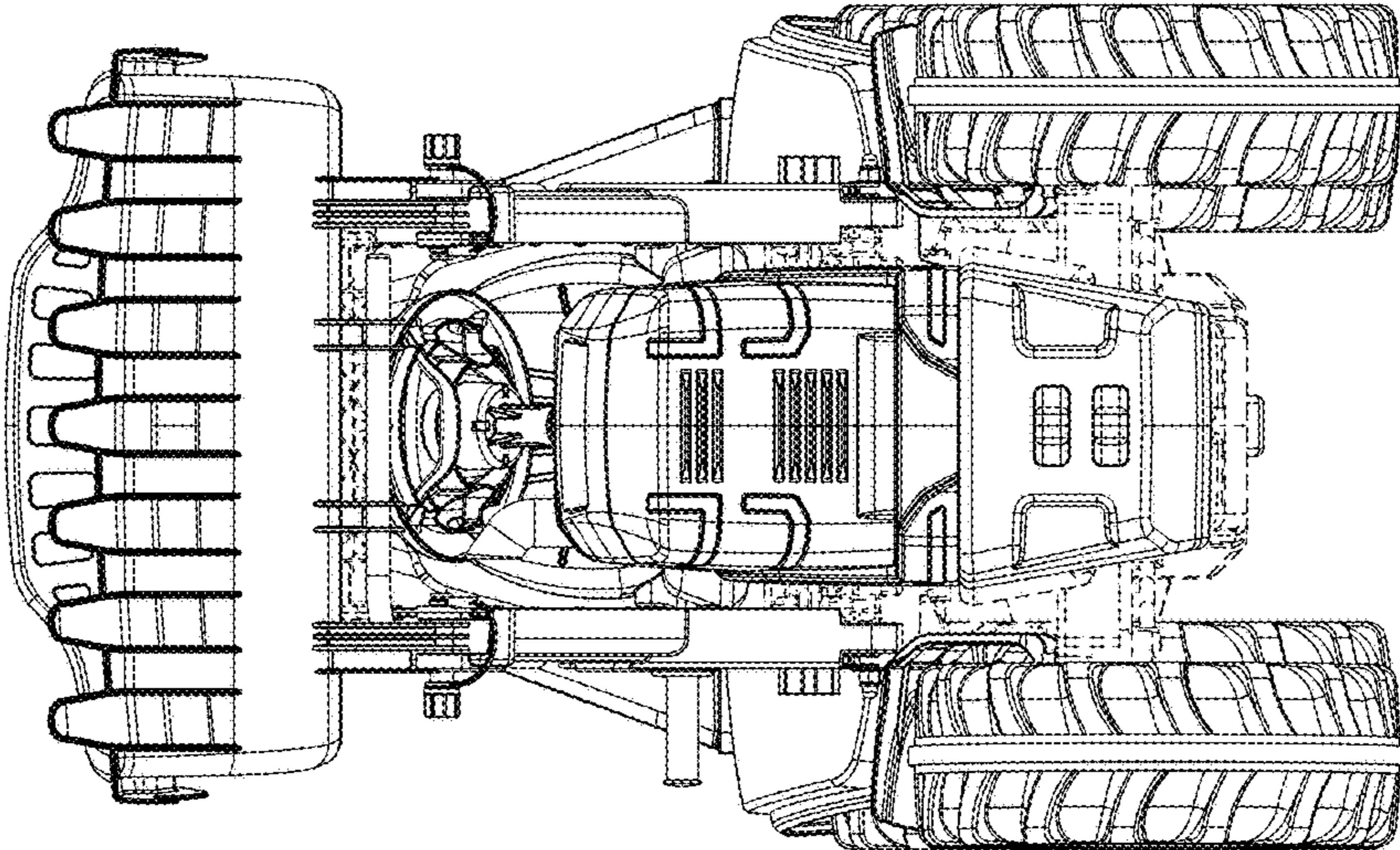
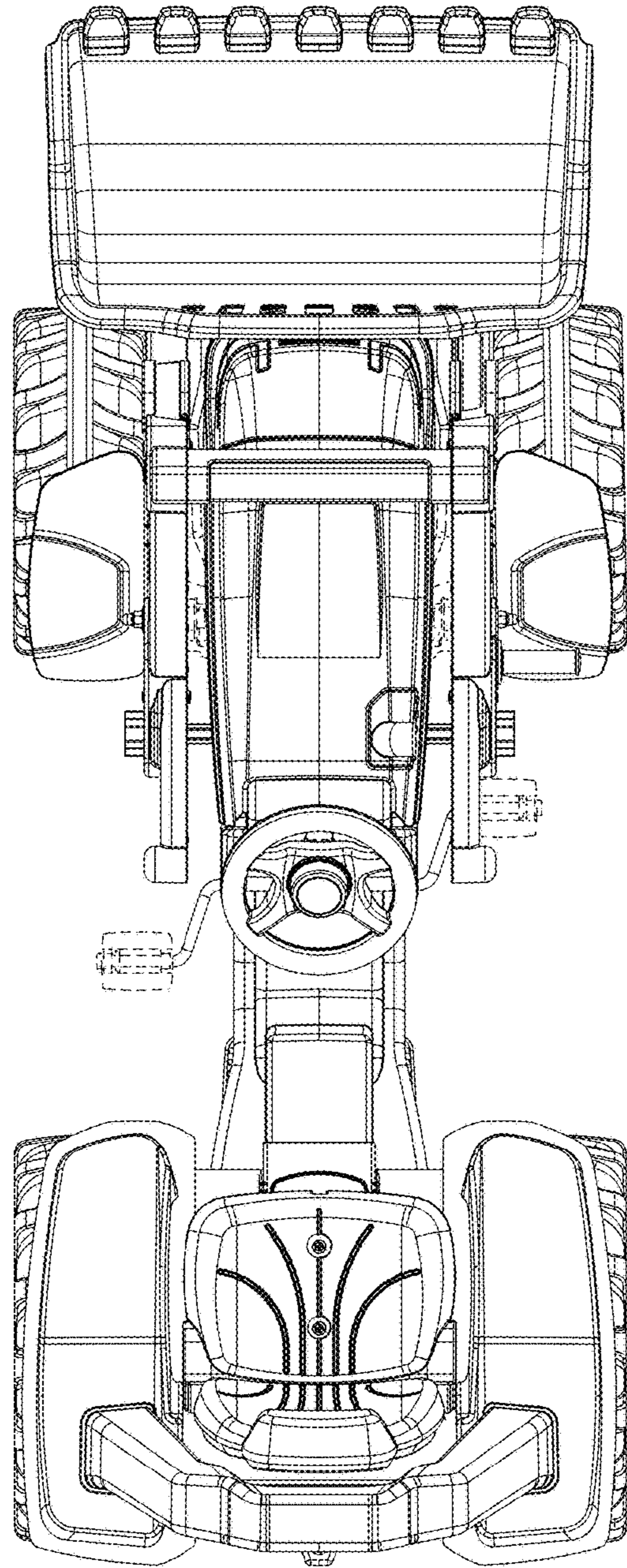


FIG. 3



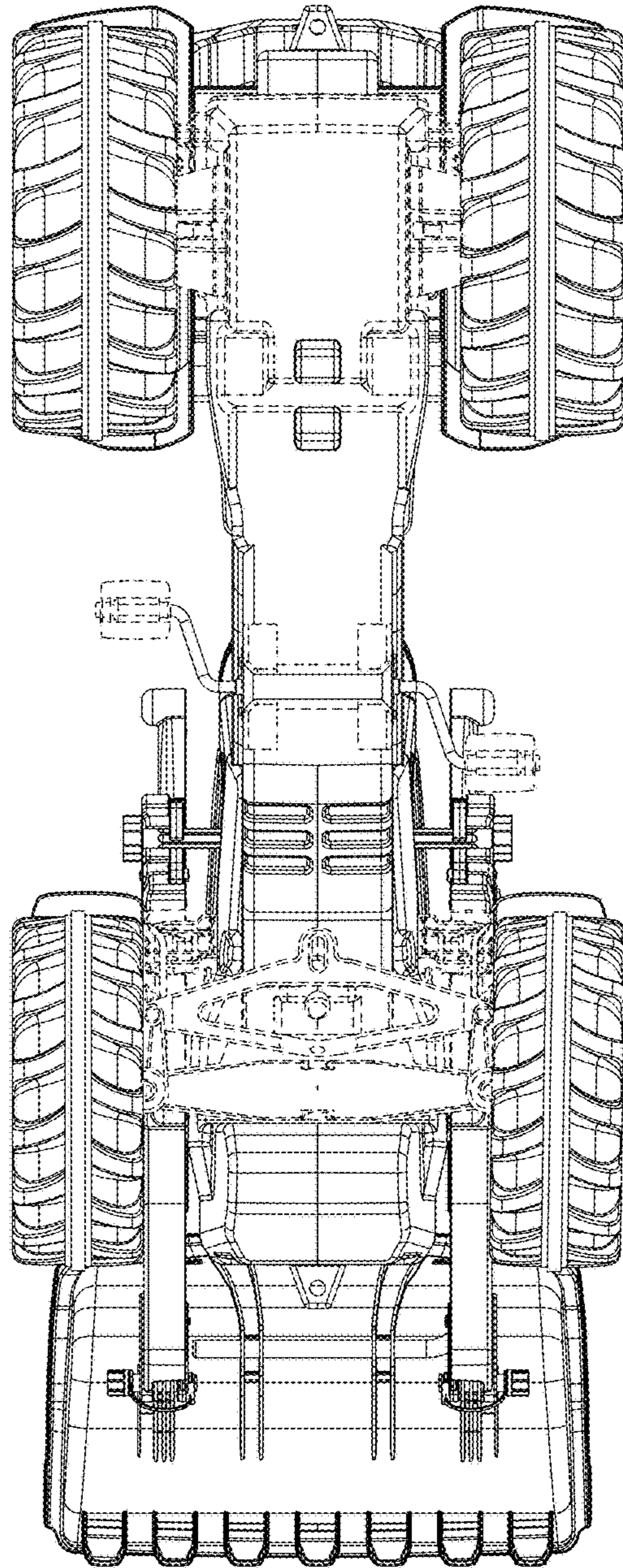


FIG. 4



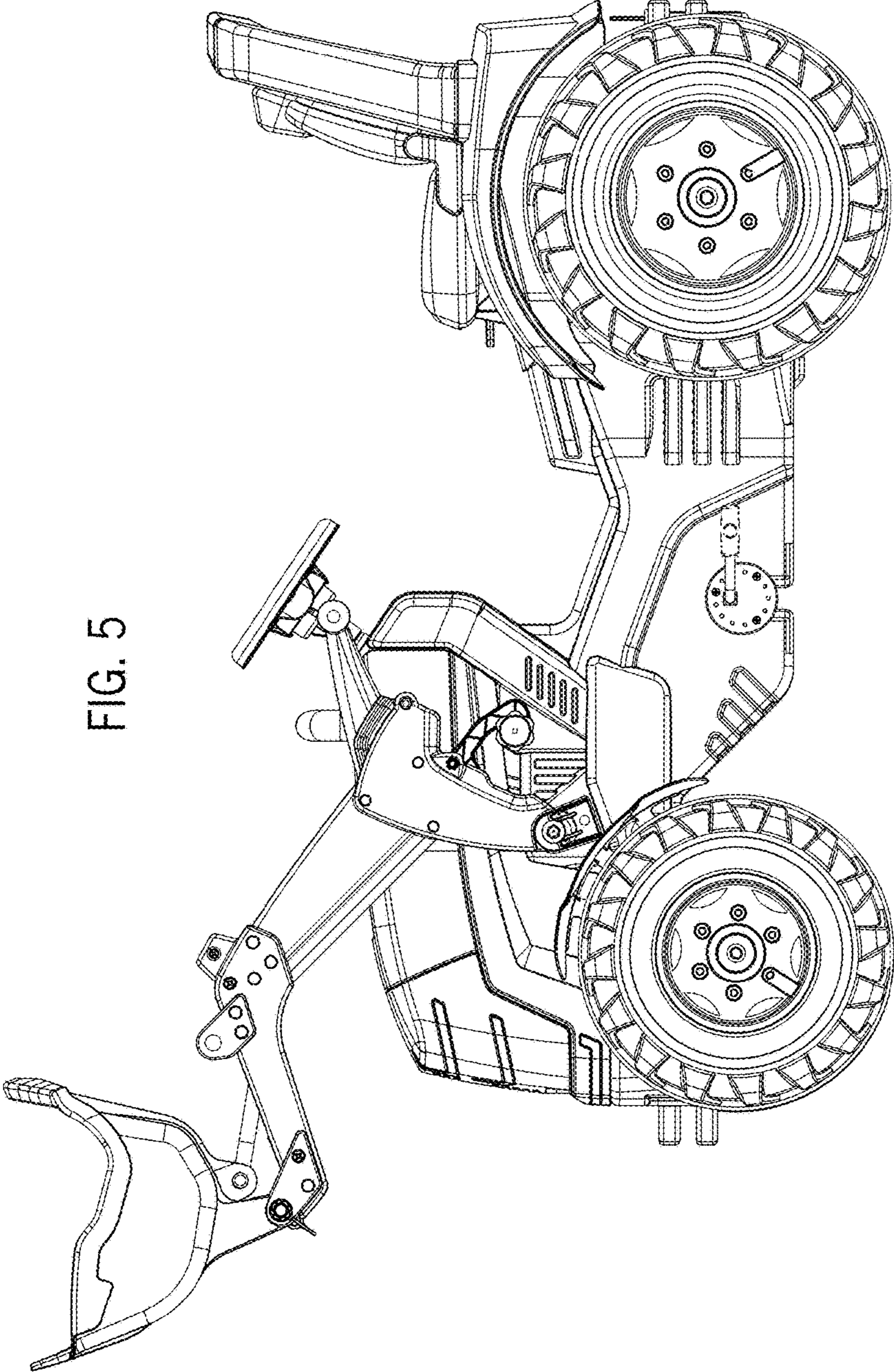


FIG. 5

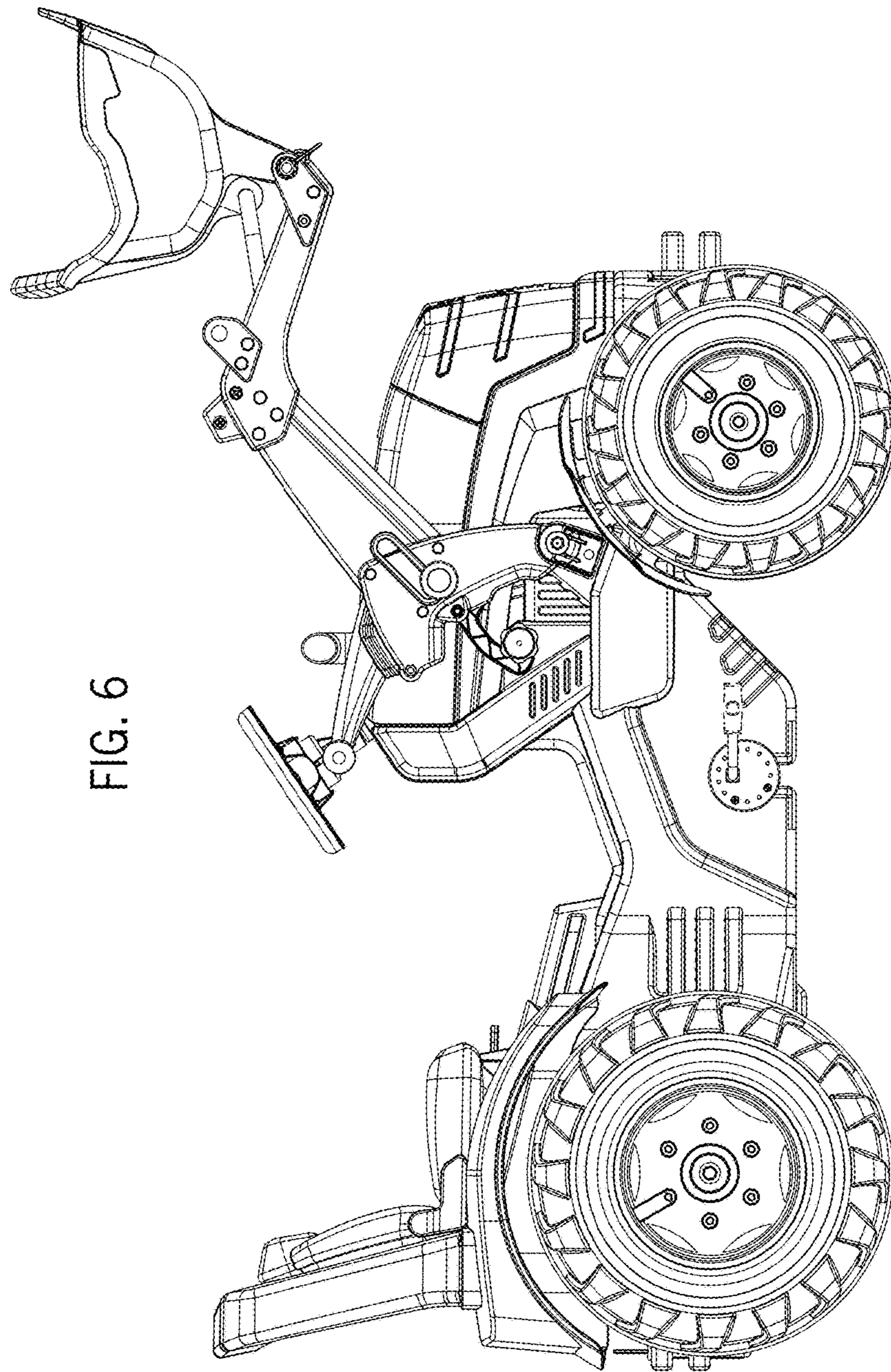


FIG. 6



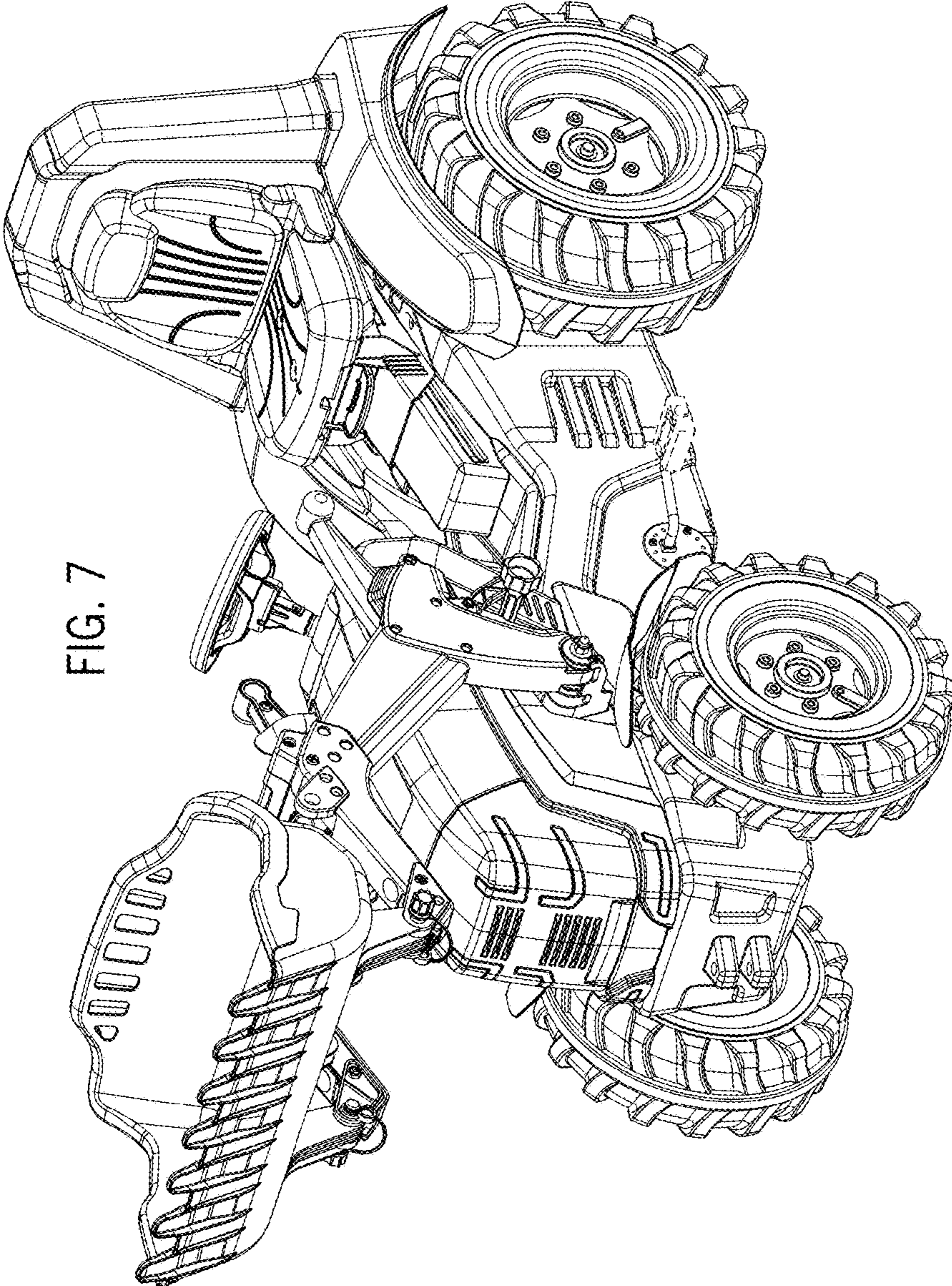


FIG. 7