



US00D857795S

(12) **United States Design Patent**  
**Fabrizi**

(10) **Patent No.:** **US D857,795 S**

(45) **Date of Patent:** **\*\* Aug. 27, 2019**

- (54) **PAPER BALE DEVICE**
- (71) Applicant: **Daniel Fabrizi**, Garden City, NY (US)
- (72) Inventor: **Daniel Fabrizi**, Garden City, NY (US)

(\*\*) Term: **15 Years**

(21) Appl. No.: **29/544,291**

(22) Filed: **Nov. 2, 2015**

(51) **LOC (12) Cl.** ..... **19-99**

(52) **U.S. Cl.**  
USPC ..... **D19/99**; D19/65

(58) **Field of Classification Search**  
USPC .... D19/65, 86, 99, 100, 3, 204, 90; D9/722,  
D9/419, 434, 499, 721, 433; D18/34.9,  
D18/99; D8/383  
CPC ..... B65D 85/62; B65D 71/02; B65D 63/14;  
B65B 13/26; B65B 27/08; B65B 27/083;  
B65B 27/086; Y10T 24/1404; A43C 7/00;  
F16G 11/046

See application file for complete search history.

(56) **References Cited**

**U.S. PATENT DOCUMENTS**

- 79,414 A \* 6/1868 Truslow ..... B65D 63/14  
24/18
- 335,274 A \* 2/1886 Daniels ..... G09F 3/14  
40/665
- 835,656 A \* 11/1906 Amann ..... B65D 63/14  
24/115 R
- 946,486 A 1/1910 Brassington
- 1,062,491 A 7/1912 Mershon
- 1,141,018 A \* 5/1915 Smith ..... B65D 63/14  
24/18
- 1,175,781 A 5/1915 Loudon
- 1,161,297 A \* 11/1915 Faust ..... B65D 63/14  
24/18
- 1,223,596 A 9/1916 McSwiney

- 1,249,585 A \* 12/1917 Zepp ..... B65D 63/14  
24/18
- 1,250,014 A \* 12/1917 Reynolds ..... B65D 63/14  
24/18
- 1,275,130 A \* 8/1918 Carlson ..... B65D 63/14  
24/130

(Continued)

**OTHER PUBLICATIONS**

Office Action for U.S. Appl. No. 14/929,977, dated Nov. 22, 2017.  
(Continued)

*Primary Examiner* — Sandra S Snapp  
*Assistant Examiner* — Ieisha N Price  
(74) *Attorney, Agent, or Firm* — Carrie M. Stroup

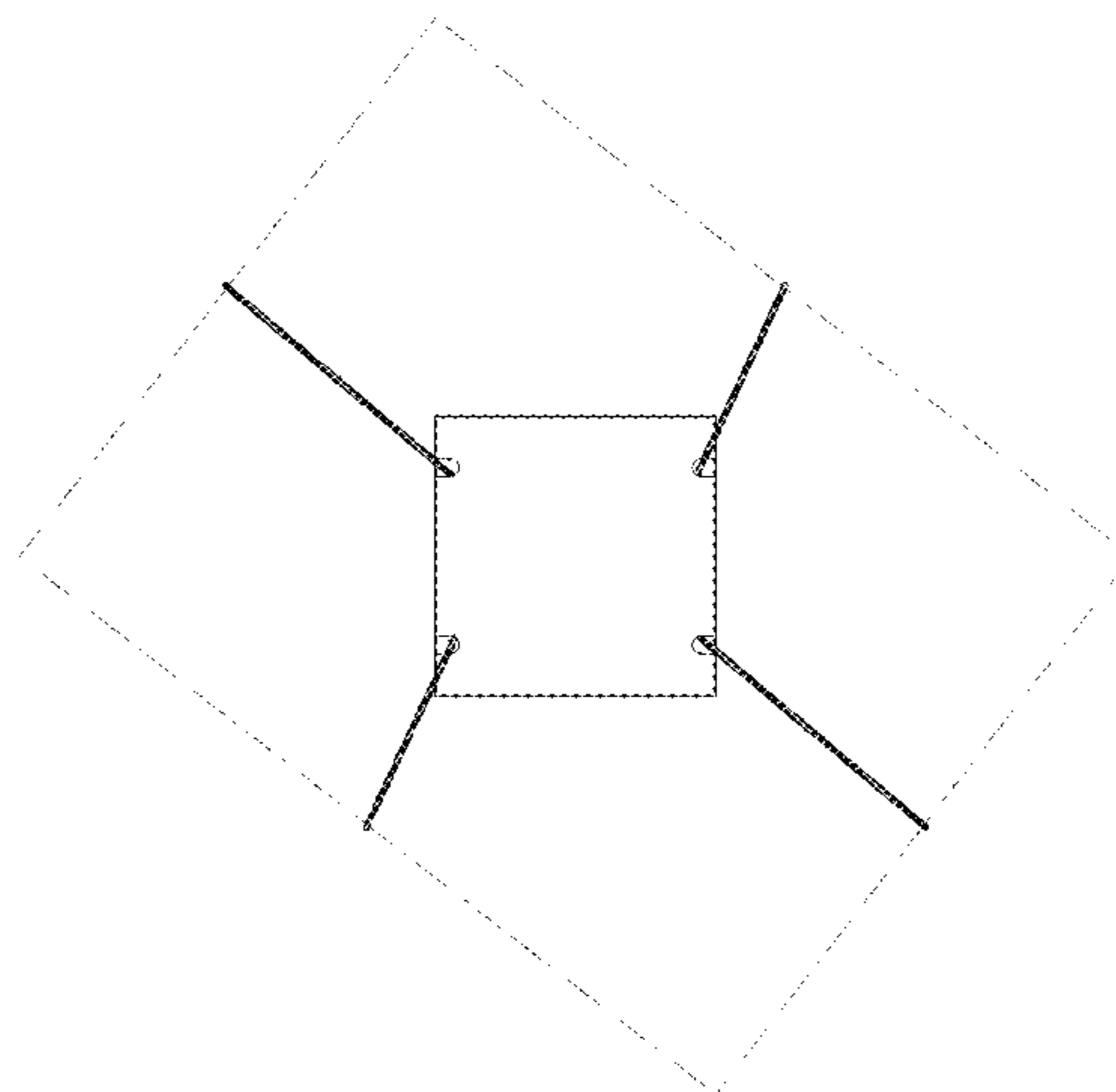
(57) **CLAIM**

The ornamental design for a paper bale device, as shown and described.

**DESCRIPTION**

FIG. 1 is a top perspective view of a paper bale device;  
FIG. 2 is a top plan view thereof;  
FIG. 3 is a bottom plan view thereof;  
FIG. 4 is a right side elevational view thereof, the left side  
elevational view being a minor image thereof;  
FIG. 5 is a front elevational view thereof, the rear elevational  
view being a mirror image thereof;  
FIG. 6 is a bottom plan view of the present invention  
showing the cords in an extended position with broken lines  
illustrating an environment of use; and,  
FIG. 7 is a top plan view of the present invention showing  
the cords in an extended position with broken lines illus-  
trating an environment of use.  
The broken lines rendered in FIGS. 6 and 7 illustrate the  
environment of the claimed design and form no part thereof.  
While the paper bale device is in its extended position, the  
sides, front, and rear of the article form no part of the  
claimed design.

**1 Claim, 6 Drawing Sheets**



(56)

**References Cited**

U.S. PATENT DOCUMENTS

1,280,064	A *	9/1918	Mills .....	B65D 63/14 24/18
1,358,476	A *	11/1920	Stout .....	B65D 63/14 200/16 R
1,446,525	A *	2/1923	Tischhauser .....	B65D 63/14 24/18
1,519,368	A *	12/1924	Eddins .....	B65D 63/14 24/18
1,598,704	A *	9/1926	Bosse .....	B65D 5/643 24/18
1,722,908	A *	7/1929	Geiseler .....	B65D 63/14 24/18
1,808,636	A *	6/1931	Chesney .....	B65D 63/14 24/18
1,959,720	A *	5/1934	Koczi .....	B65D 63/14 24/18
1,991,917	A *	2/1935	Bates .....	B65D 63/14 24/134 R
2,334,728	A *	11/1943	Scott .....	B65D 63/14 24/18

2,346,538	A *	4/1944	Kleinmann .....	B65D 63/14 229/125.22
3,631,570	A *	1/1972	Coleman .....	F16G 11/046 24/129 R
3,780,854	A	12/1973	Ruppenthal	
5,109,762	A	5/1992	Tetrault	
5,114,020	A	5/1992	Martin	
5,388,687	A	2/1995	Philip	
5,655,802	A *	8/1997	Topp .....	B65D 63/14 292/307 R
6,237,375	B1 *	5/2001	Wymer .....	E05B 73/0082 248/551
2007/0119725	A1 *	5/2007	Rhodes .....	B42D 5/00 206/215
2009/0013503	A1 *	1/2009	Hays .....	B65D 63/109 24/17 R
2009/0211466	A1 *	8/2009	Witkowski .....	B65B 27/08 100/34
2016/0122050	A1	5/2016	Fabrizi	

OTHER PUBLICATIONS

Office Action for U.S. Appl. No. 14/929,977, dated Jun. 15, 2018.

\* cited by examiner

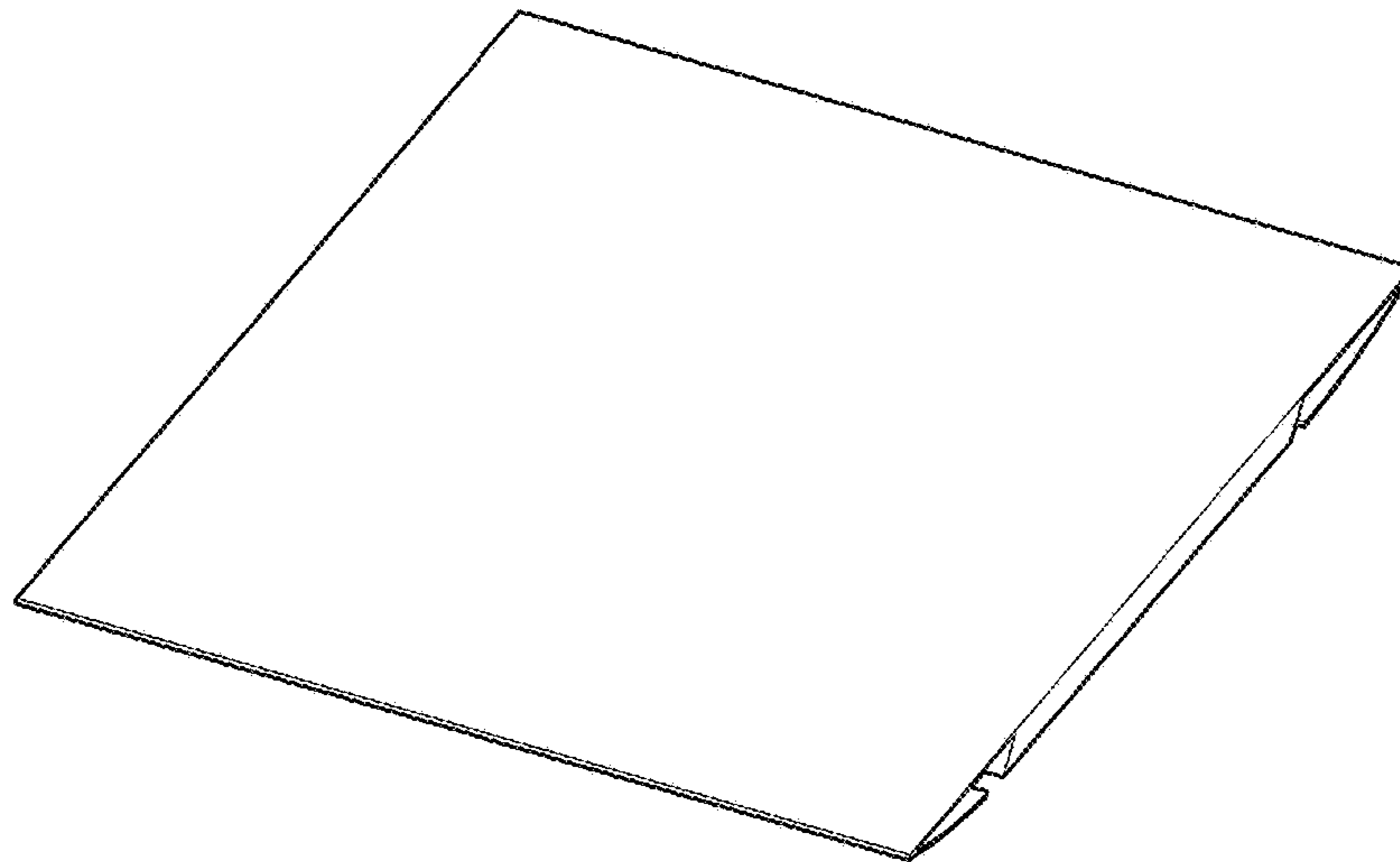


FIG. 1

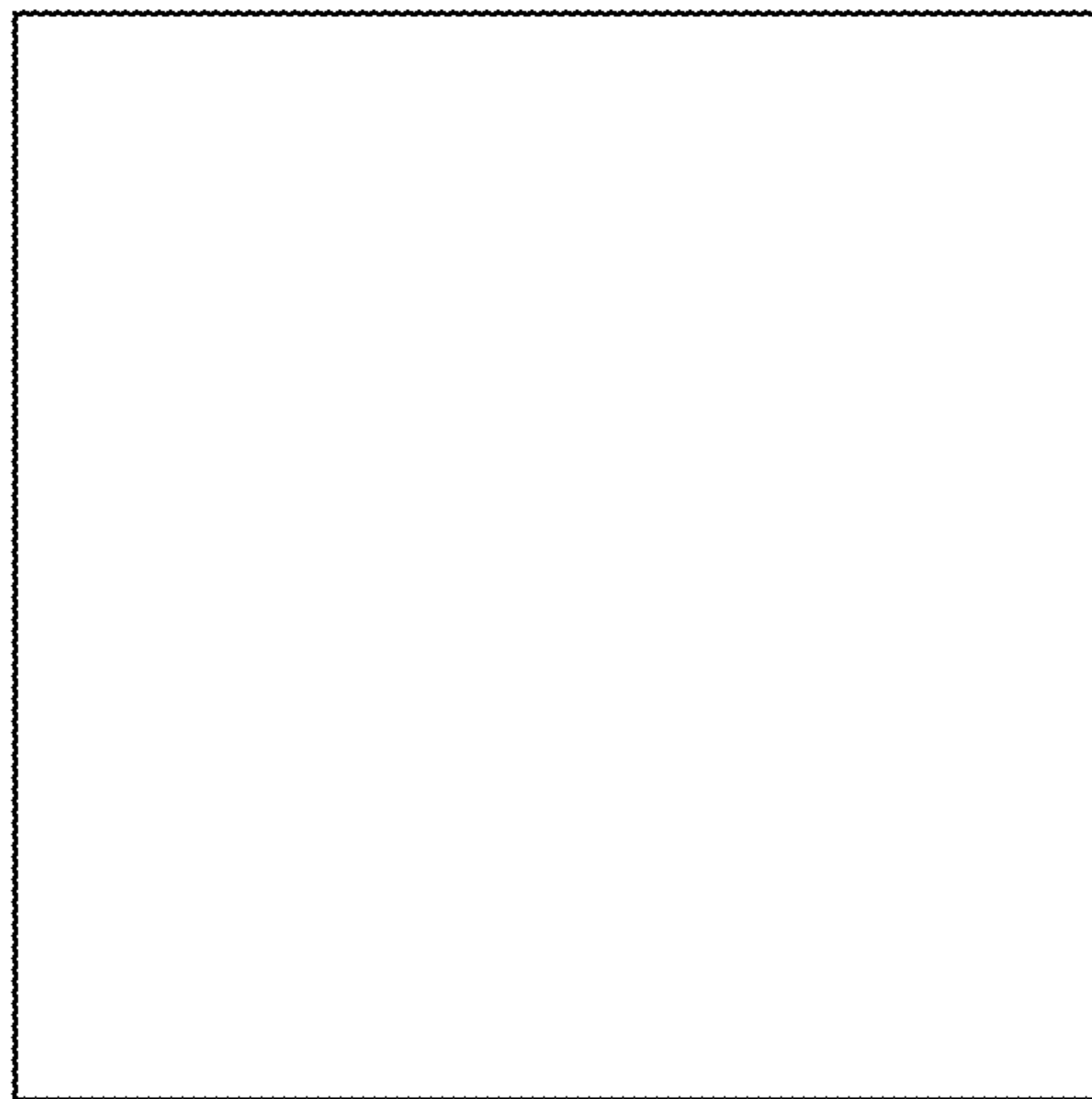


FIG. 2

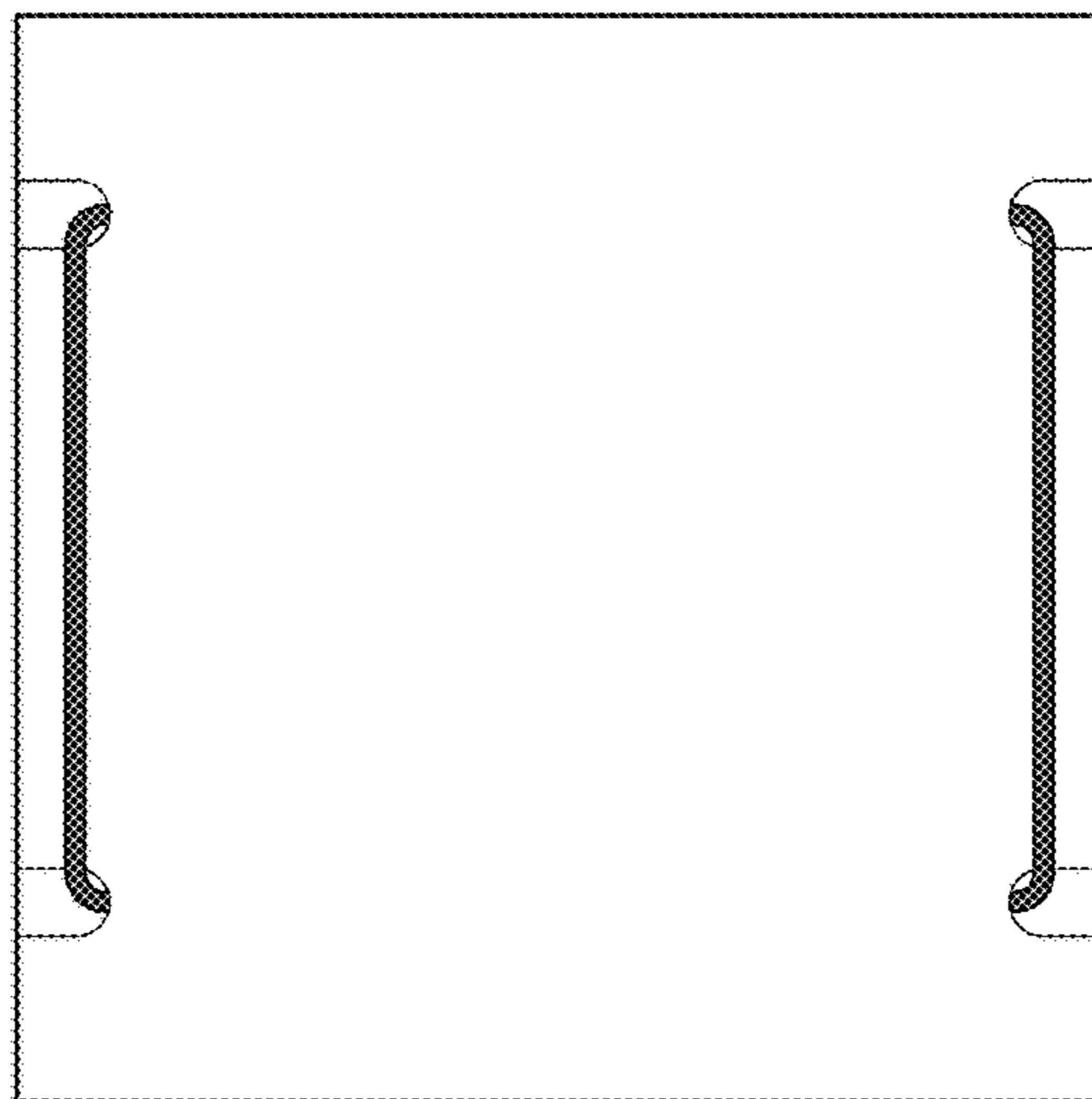


FIG. 3



FIG. 4

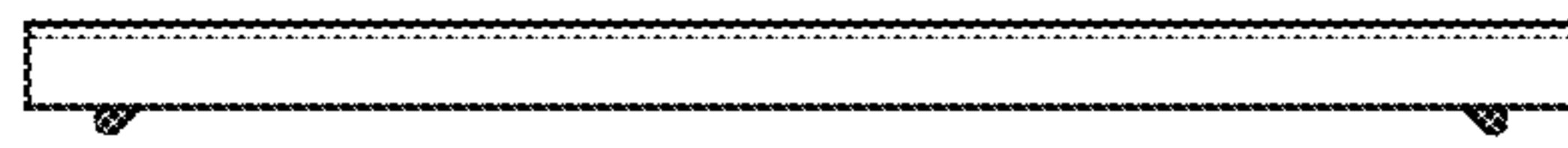


FIG. 5

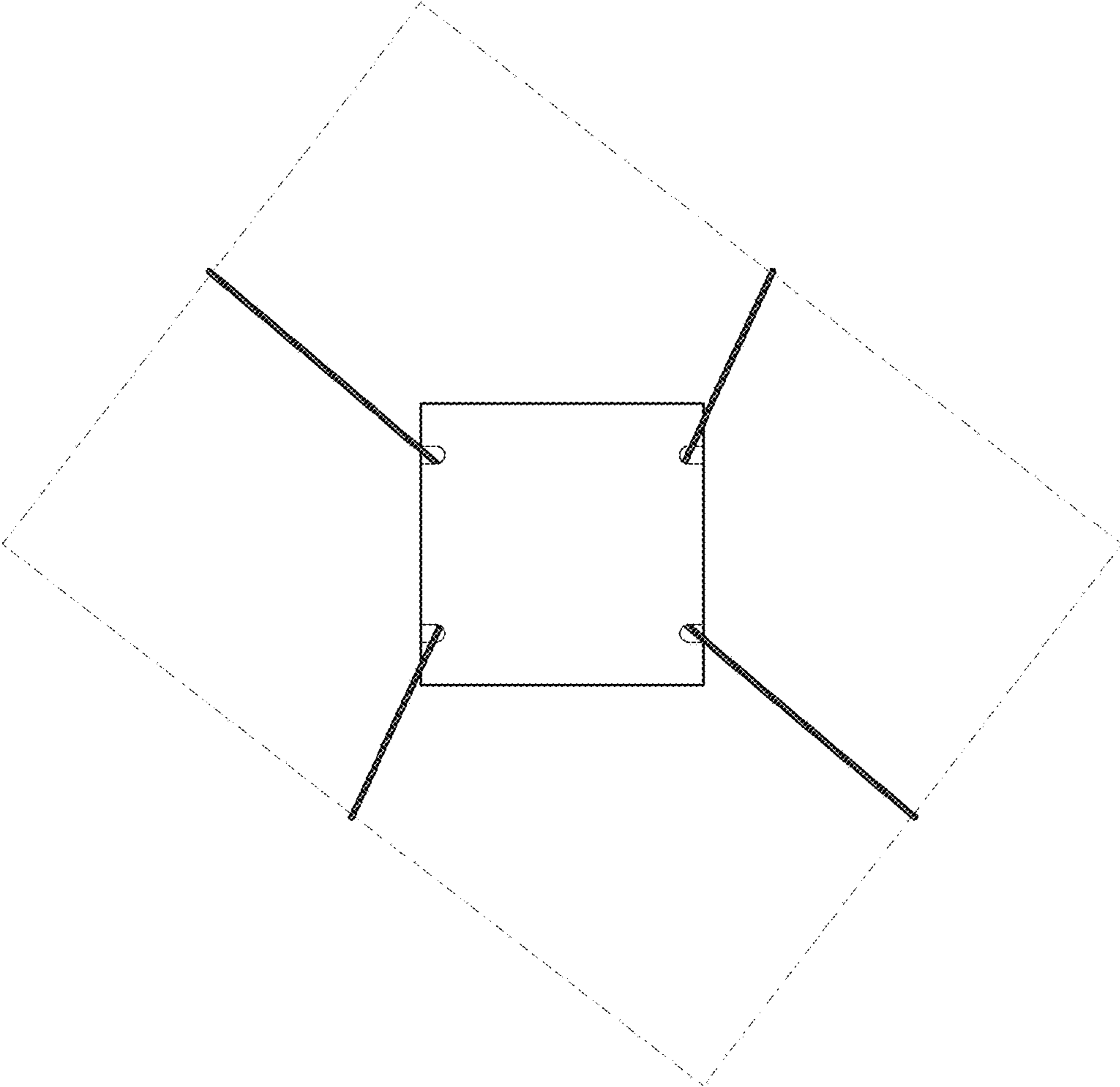


FIG. 6

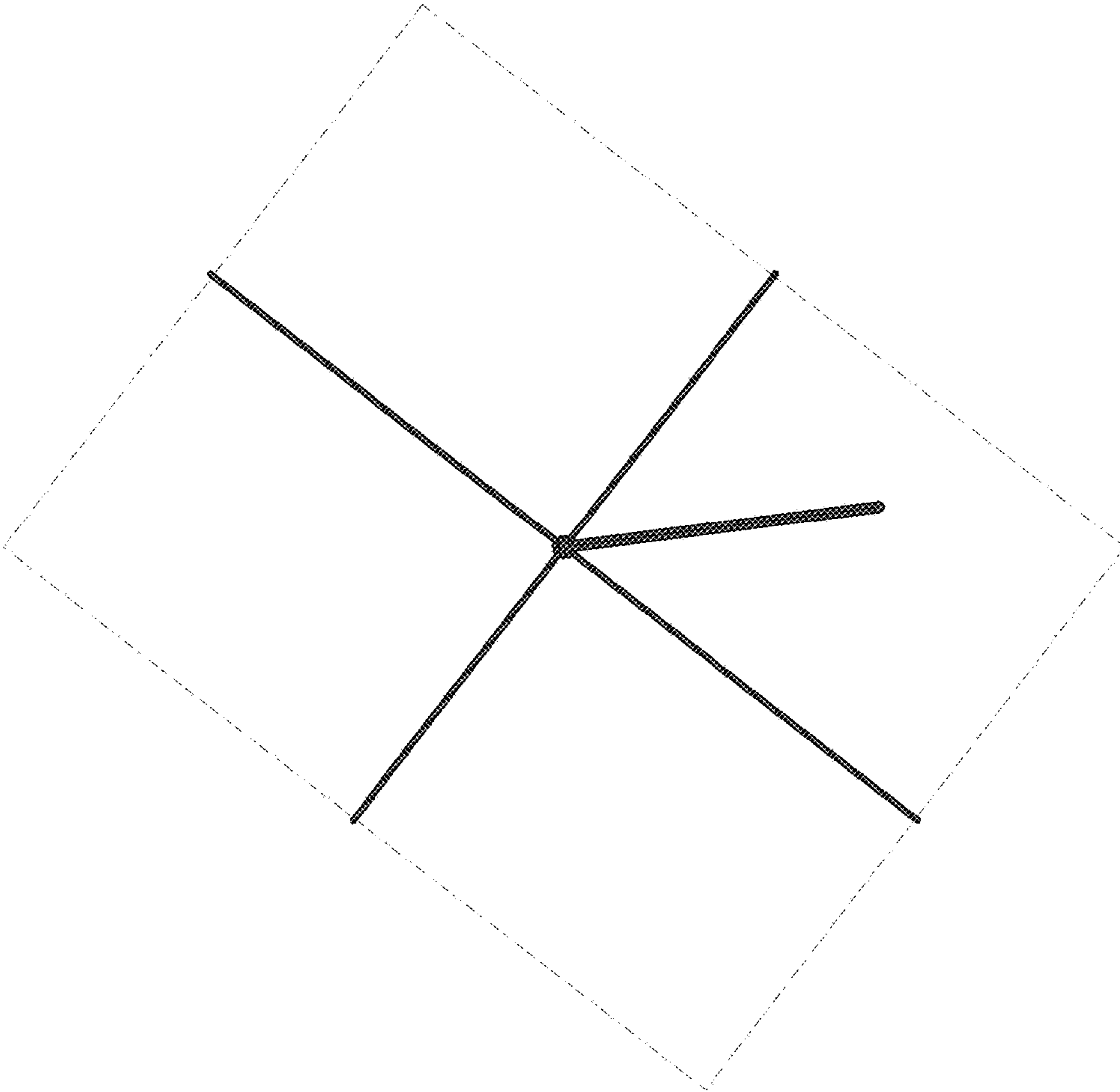


FIG. 7