



US00D857793S

(12) **United States Design Patent**
Brown et al.

(10) **Patent No.:** **US D857,793 S**

(45) **Date of Patent:** **** Aug. 27, 2019**

(54) **HANDLE FOR A MULTIFUNCTION
PRINTING MACHINE**

(71) Applicant: **XEROX CORPORATION**, Norwalk,
CT (US)

(72) Inventors: **Donald A Brown**, Honeoye Falls, NY
(US); **Megumi Okubo**, Kanagawa (JP);
Ohgi Kazuyuki, Kanagawa (JP);
Tsutomu Shiihara, Kanagawa (JP)

(73) Assignee: **Xerox Corporation**, Norwalk, CT (US)

(**) Term: **15 Years**

(21) Appl. No.: **29/594,176**

(22) Filed: **Feb. 16, 2017**

(51) **LOC (12) Cl.** **18-02**

(52) **U.S. Cl.**
USPC **D18/56; D18/50**

(58) **Field of Classification Search**
USPC D18/36-37, 50, 53, 54.1, 39, 54, 55-56;
D14/421; D8/315

CPC ... B41J 11/00; B41J 11/58; B41J 15/00; B41J
15/12; B41J 15/42; G03G 21/1633; G06K
15/12

See application file for complete search history.

(56) **References Cited**

U.S. PATENT DOCUMENTS

D558,266 S * 12/2007 Falk D18/55
D561,249 S * 2/2008 Smith D18/55

D647,133 S * 10/2011 Sato D18/55
D681,724 S * 5/2013 Suzuki D14/467
D715,357 S * 10/2014 Kim D18/55
D800,214 S * 10/2017 Sato D18/50
D820,907 S * 6/2018 Brown D18/53
2018/0101114 A1* 4/2018 Takeuchi G03G 21/1633

* cited by examiner

Primary Examiner — Robin V Webster

Assistant Examiner — J. Thorn, Sr.

(57) **CLAIM**

The ornamental design for a handle for a multifunction
printing machine, as shown and described.

DESCRIPTION

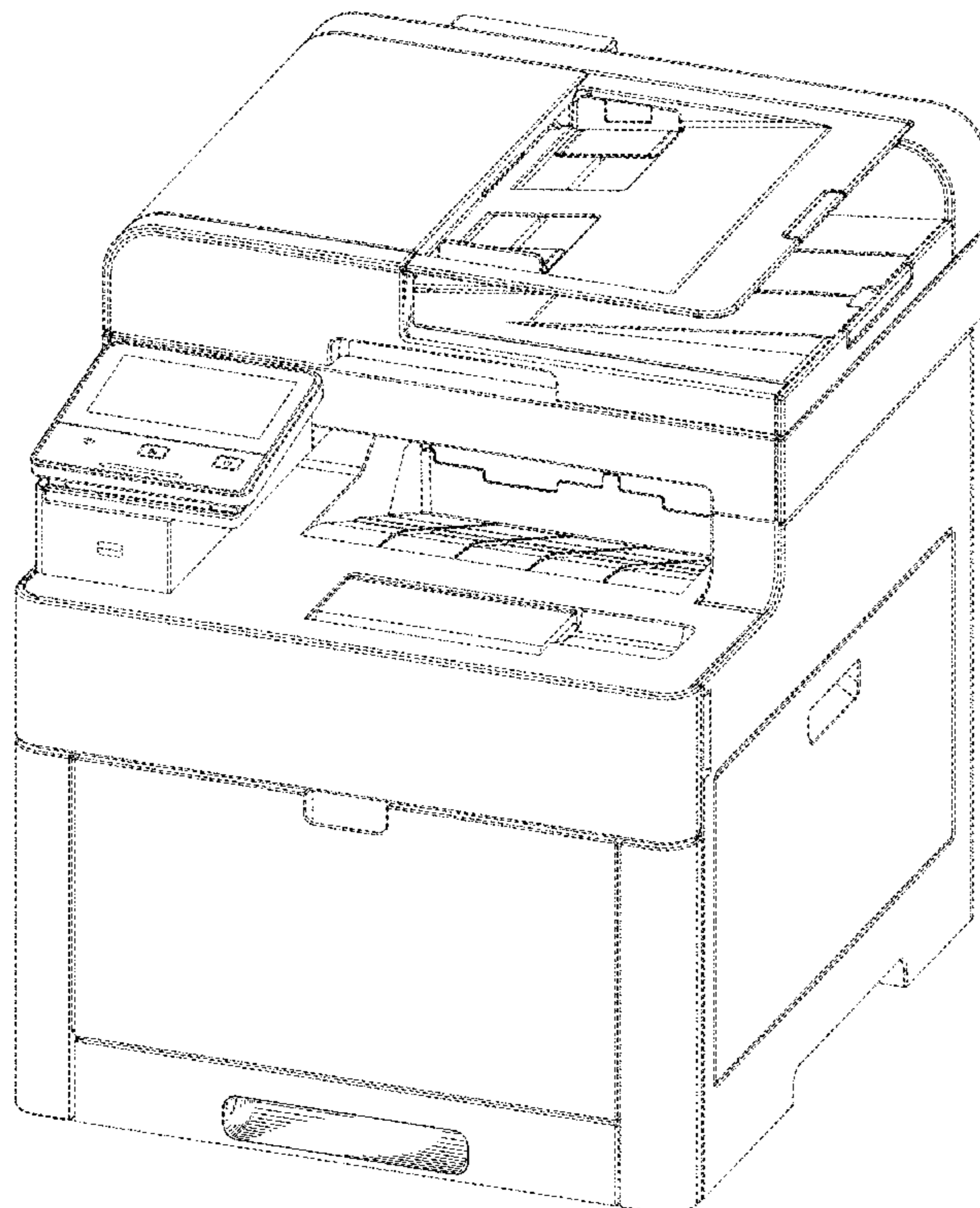
FIG. 1 is a perspective view of a handle for a multifunction
printing machine in accordance with the present invention;
FIG. 2 is a front view thereof;

FIG. 3 is a cross sectional view taken along line 3-3 in FIG.
2; and,

FIG. 4 is a cross sectional view taken along line 4-4 in FIG.
2.

The broken lines in the drawings depict environmental
subject matter, are for illustrative purposes only and form no
part of the claimed design.

1 Claim, 3 Drawing Sheets



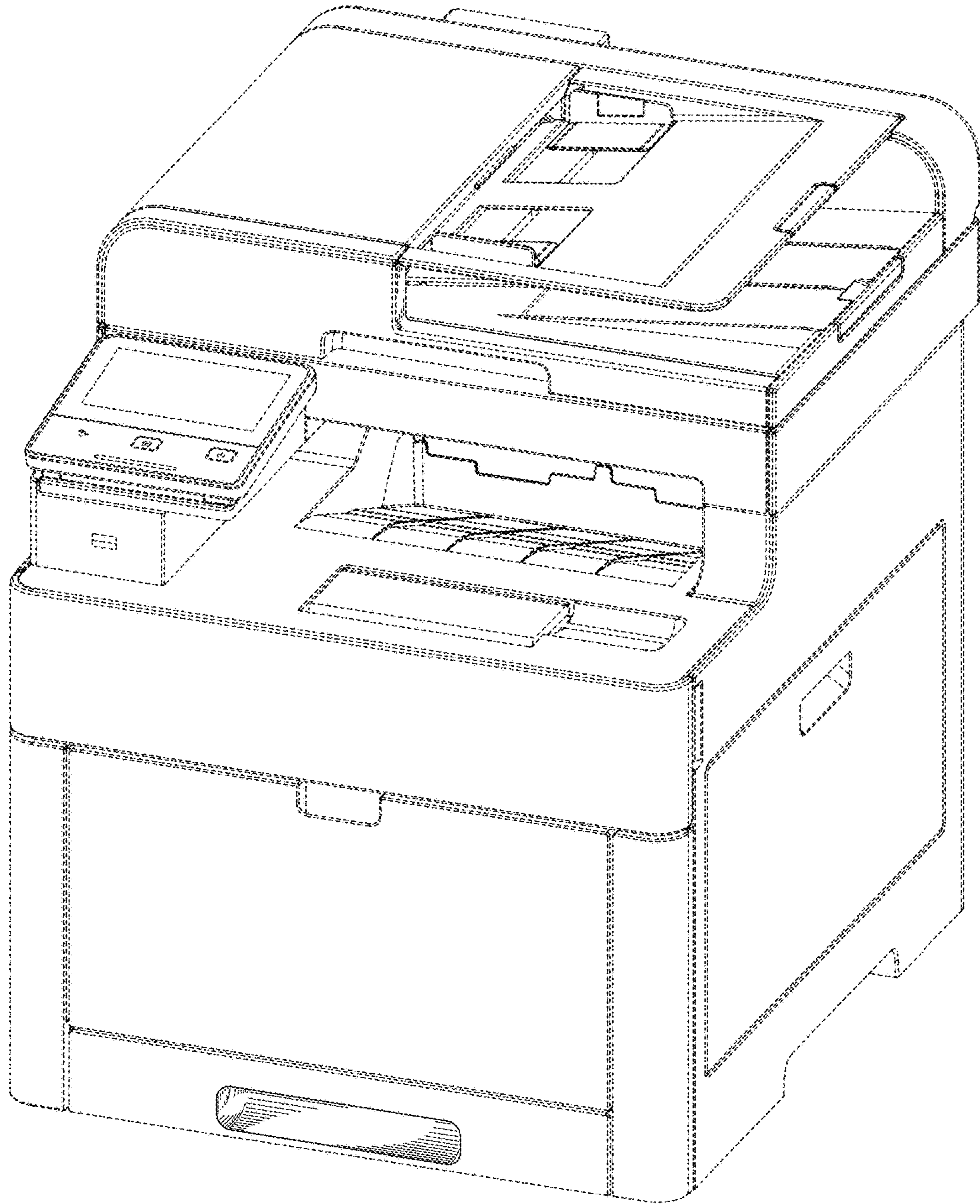


FIG. 1

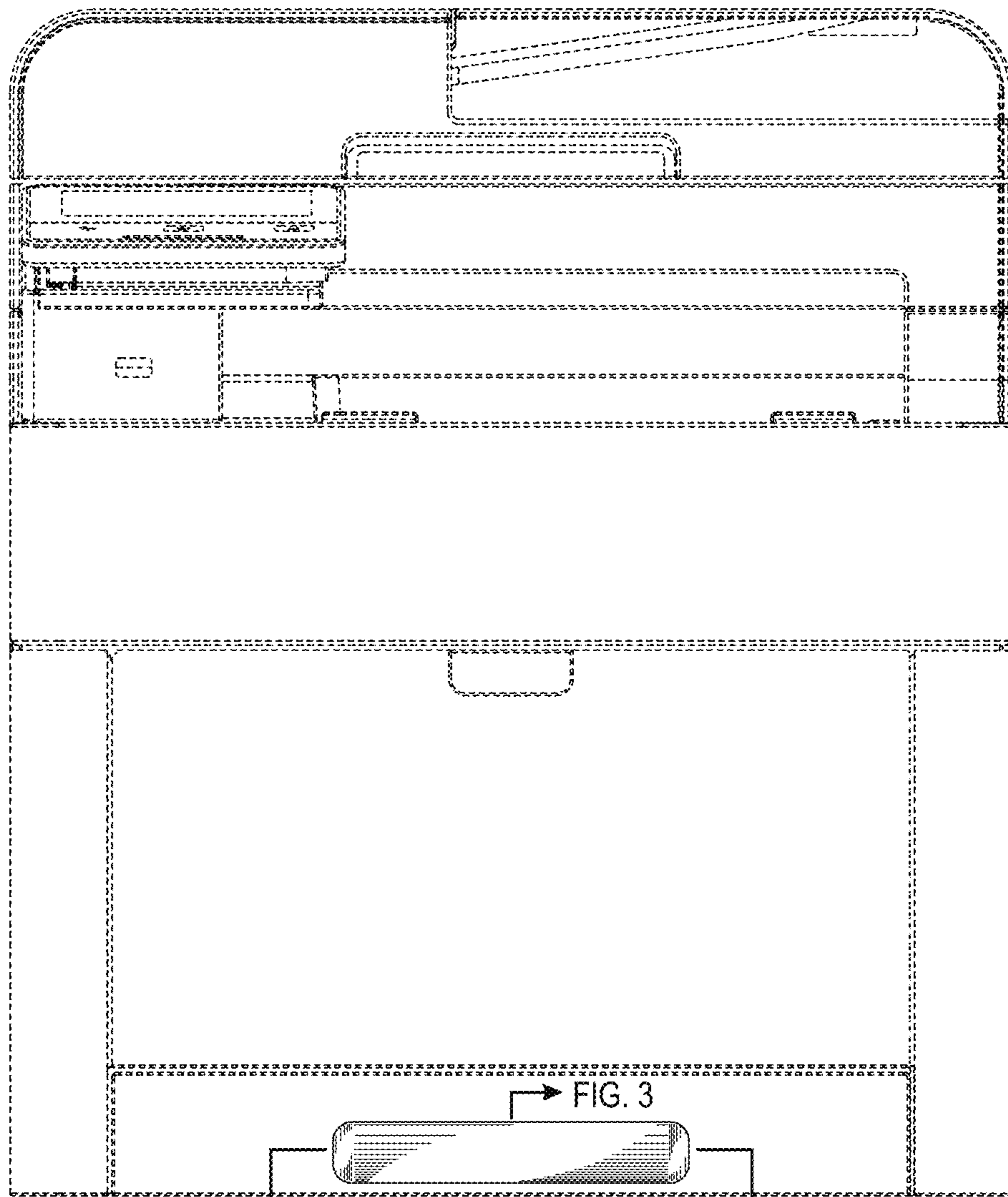


FIG. 3
FIG. 4
FIG. 4

FIG. 2

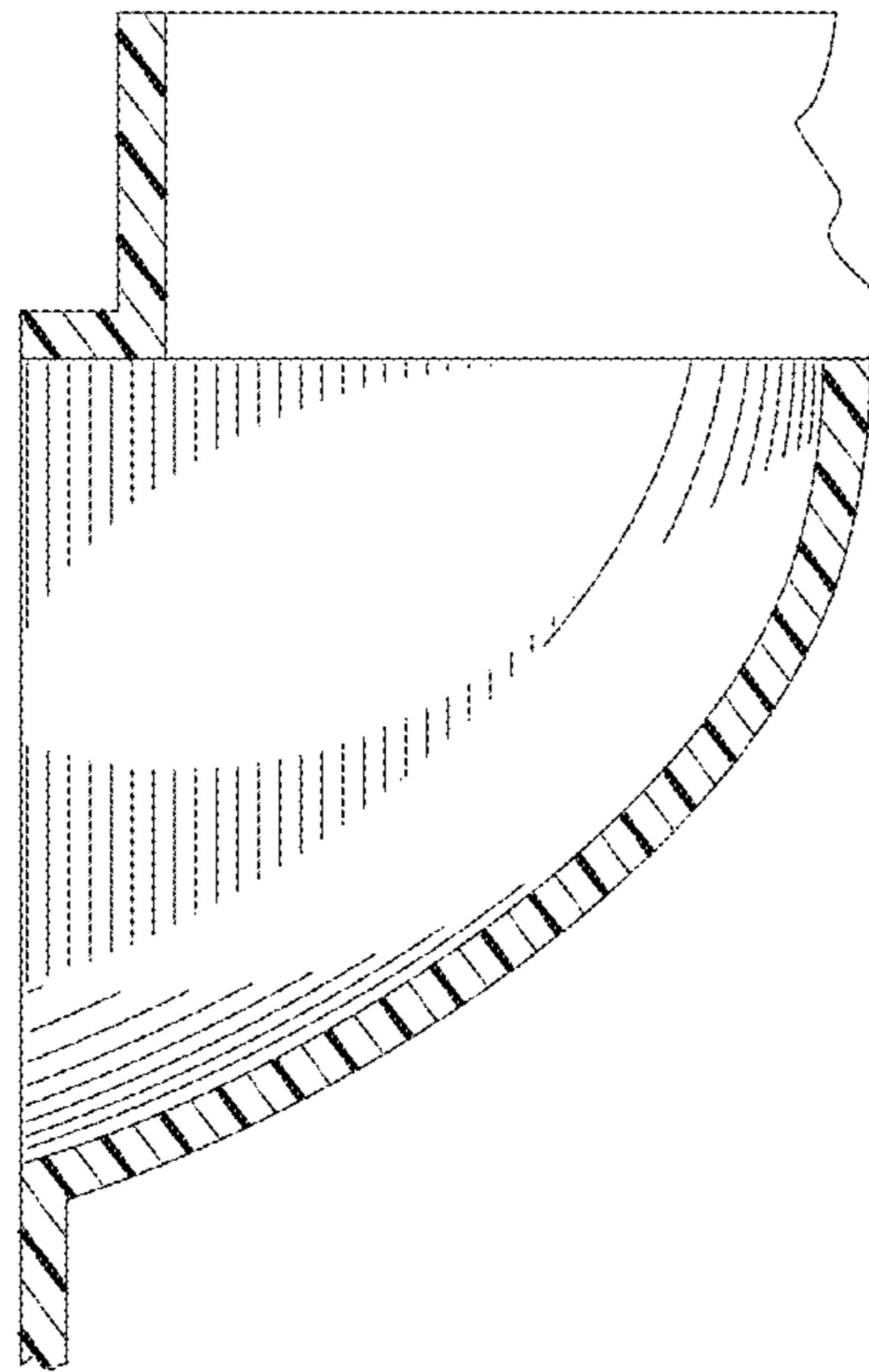


FIG. 3

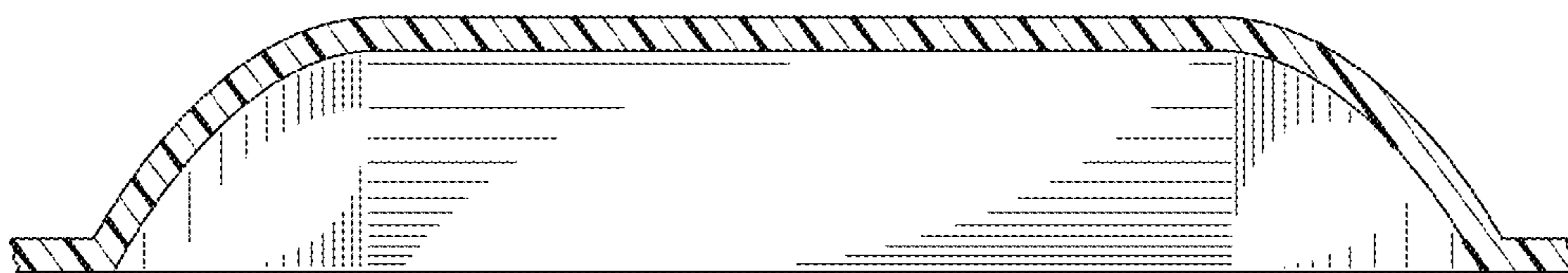


FIG. 4