



US00D857791S

(12) **United States Design Patent**
Luo et al.

(10) **Patent No.:** **US D857,791 S**

(45) **Date of Patent:** **** Aug. 27, 2019**

(54) **ELECTRONIC CASH REGISTER**

(71) Applicant: **Pax Computer Technology Shenzhen Co, Ltd., Shenzhen (CN)**

(72) Inventors: **Shaowen Luo, Shenzhen (CN); Zhihua Lin, Shenzhen (CN); Xiaoping Lei, Shenzhen (CN); Chenghe Yang, Shenzhen (CN)**

(73) Assignee: **PAX COMPUTER TECHNOLOGY (SHENZHEN) CO., LTD., Shenzhen (CN)**

(**) Term: **15 Years**

(21) Appl. No.: **29/619,469**

(22) Filed: **Sep. 29, 2017**

(30) **Foreign Application Priority Data**

Apr. 6, 2017 (CN) 2017 3 0111022

(51) **LOC (12) Cl.** **18-01**

(52) **U.S. Cl.**
USPC **D18/4.4; D18/4.6; D18/4.1**

(58) **Field of Classification Search**
USPC D18/2, 4.1, 4.3, 4.4, 4.5, 4.6, 99;
D14/300, 307, 336, 339, 356, 357, 383,
D14/385, 386, 388, 421, 496, 129, 133,
D14/299, 900, 901, 902; D10/46, 104.1;
D20/1
CPC .. G07G 1/00; G07G 1/12; G07G 1/14; G07G
1/0009; G07G 1/0018; G07F 7/0873;
G07F 7/088; G06Q 20/00; G06Q 20/08;
G06Q 20/20; G06Q 30/0238
See application file for complete search history.

(56) **References Cited**

U.S. PATENT DOCUMENTS

D289,291 S * 4/1987 Kapper D14/389
D408,383 S * 4/1999 Carter D14/374

D410,441 S * 6/1999 Lin D14/314
D545,782 S * 7/2007 Schiller D14/126
D577,206 S * 9/2008 Chang D6/300
D583,822 S * 12/2008 Matsumoto D14/426

(Continued)

OTHER PUBLICATIONS

POS Terminals and Cash Registers. (Design—© Questel) orbit.com. [online PDF] 47 pgs. Print Dates Range Jun. 25, 2012 through Sep. 15, 2017. [Retrieved on Dec. 28, 2018] <https://sobjprd.questel.fr/export/QPTUJ214/pdf2/7ad1a3bc-f254-4213-b1c5-235f9aa94708-183734.pdf>.*

(Continued)

Primary Examiner — Marie D. Fast Horse

(74) *Attorney, Agent, or Firm* — Morgan, Lewis & Bockius LLP

(57) **CLAIM**

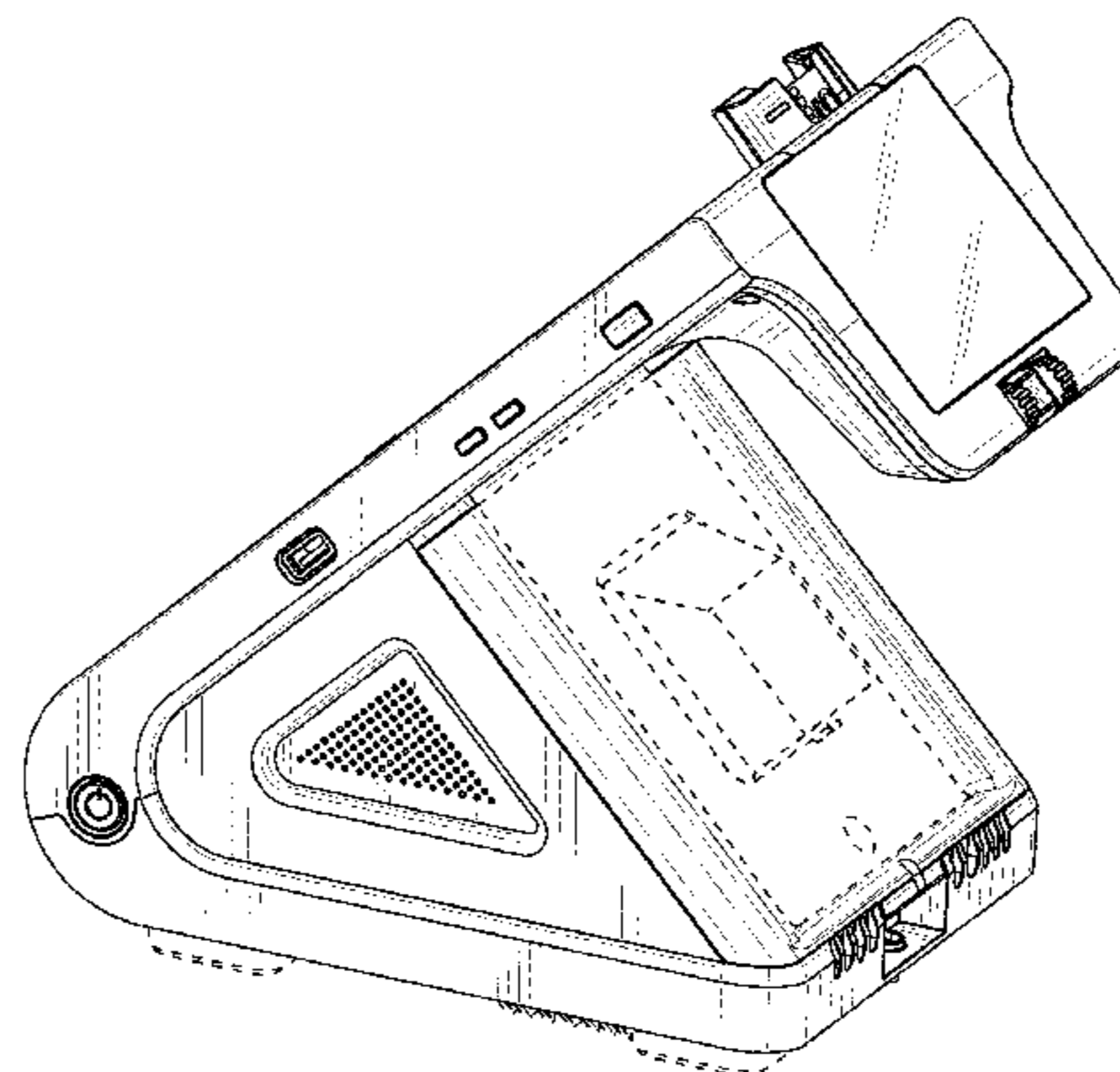
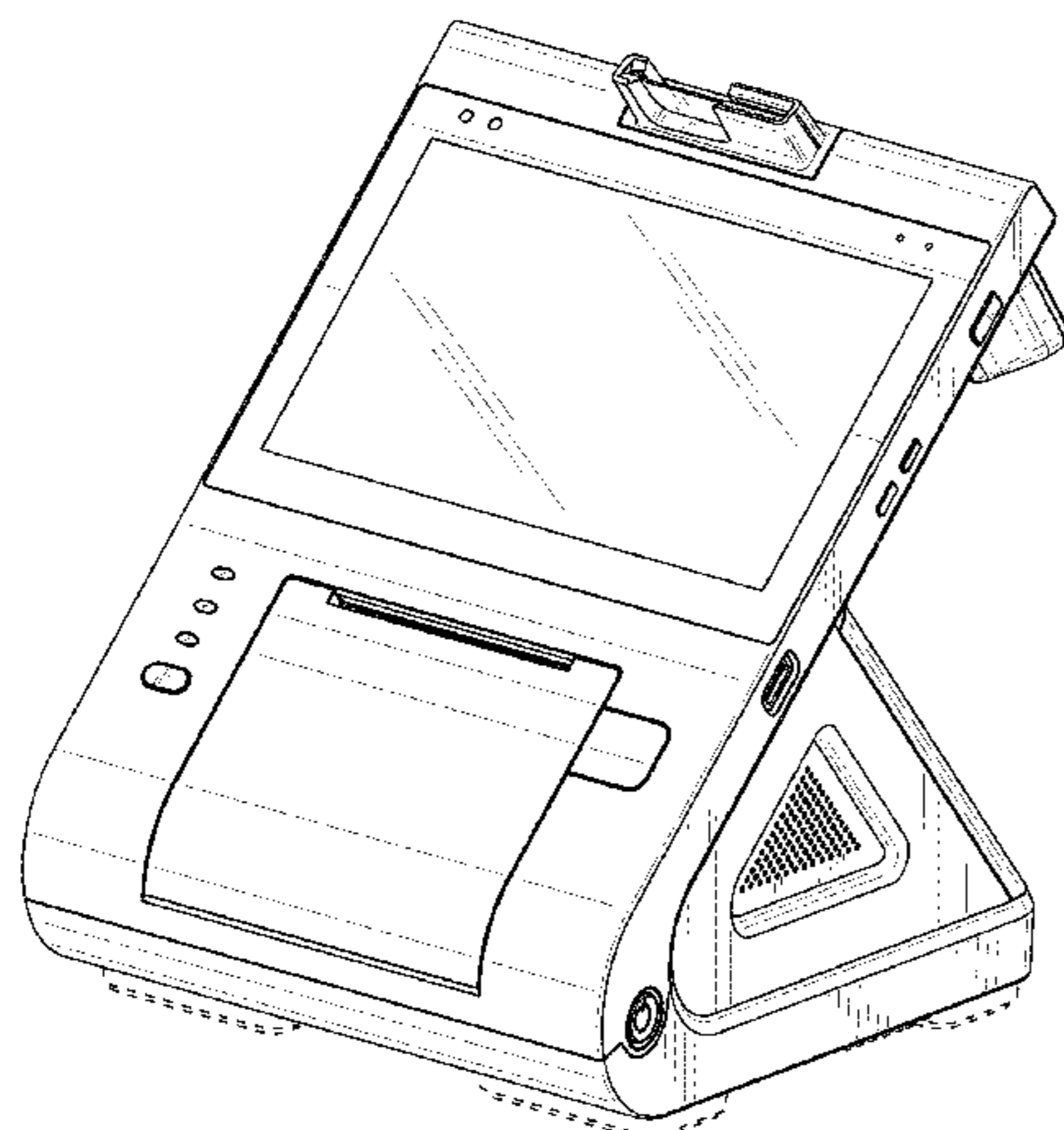
The ornamental design for an electronic cash register, as shown and described.

DESCRIPTION

FIG. 1 is a front right perspective view of an electronic cash register;
FIG. 2 is a rear right perspective view thereof;
FIG. 3 is a front view angled perpendicular to the front face thereof;
FIG. 4 is a rear view angled perpendicular to the rear face thereof;
FIG. 5 is a left view thereof seen rotated clockwise from the horizontal plane;
FIG. 6 is a right view thereof seen rotated counterclockwise from the horizontal plane;
FIG. 7 is a top view of the electronic cash register in FIG. 6; and,
FIG. 8 is a bottom view of the electronic cash register in FIG. 6.

The broken lines in the drawings depict portions of the electronic cash register that form no part of the claim.

1 Claim, 8 Drawing Sheets



(56)

References Cited

U.S. PATENT DOCUMENTS

D600,689 S * 9/2009 Jen D14/300
 8,059,087 B2 * 11/2011 Chou H04N 1/00251
 345/104
 D658,175 S * 4/2012 Goetzen D14/371
 D661,266 S * 6/2012 Laube D14/126
 D661,671 S * 6/2012 Laube D14/126
 D666,995 S * 9/2012 TerMeer D14/217
 D686,654 S * 7/2013 Kim D18/4.6
 D690,349 S * 9/2013 Qin D18/12
 D693,607 S * 11/2013 Johnson D6/672
 D706,864 S * 6/2014 Branck D18/4.6
 D707,685 S * 6/2014 Johnson D14/447
 D711,870 S * 8/2014 Johnson D14/307
 D712,396 S * 9/2014 Johnson D14/307
 D717,785 S * 11/2014 Winston D14/307
 D739,031 S * 9/2015 Golden D24/186
 D741,853 S * 10/2015 Barron D18/4.4
 D762,258 S * 7/2016 Jenkins D18/4.5
 D762,863 S * 8/2016 Kim D24/186
 D763,247 S * 8/2016 Yepez D14/307
 D771,180 S * 11/2016 Jenkins D18/4.5
 D773,554 S * 12/2016 Zong D18/4.4
 D778,982 S * 2/2017 Beatty D18/4.5
 D782,466 S * 3/2017 Yepez D14/307

D784,270 S * 4/2017 Bhattacharya D13/162
 D798,378 S * 9/2017 Kim D18/4.6
 D806,698 S * 1/2018 Thompson D14/307
 D811,384 S * 2/2018 Diasabeygunawardena
 D14/336
 D814,559 S * 4/2018 Oross D18/4.4
 D829,273 S * 9/2018 Campanini D18/4.5
 D833,427 S * 11/2018 Hansen D14/307
 2010/0118327 A1 * 5/2010 Caspar H04N 1/00238
 358/1.13
 2013/0155595 A1 * 6/2013 Herring G07G 1/0018
 361/679.21
 2013/0262248 A1 * 10/2013 Kim G07G 1/0018
 705/17
 2013/0320177 A1 * 12/2013 Chen F16M 11/10
 248/371
 2016/0300456 A1 * 10/2016 Zong G07G 1/0018
 2016/0327300 A1 * 11/2016 Ribbich G06F 3/0412

OTHER PUBLICATIONS

e500. paxfaqs.files.wordpress.com. (Online image) 1 pg. Posted
 May 2017. [Retrieved on Dec. 27, 2018] <https://paxfaqs.files.wordpress.com/2017/05/e500.png?w=300&h=267>.*

* cited by examiner

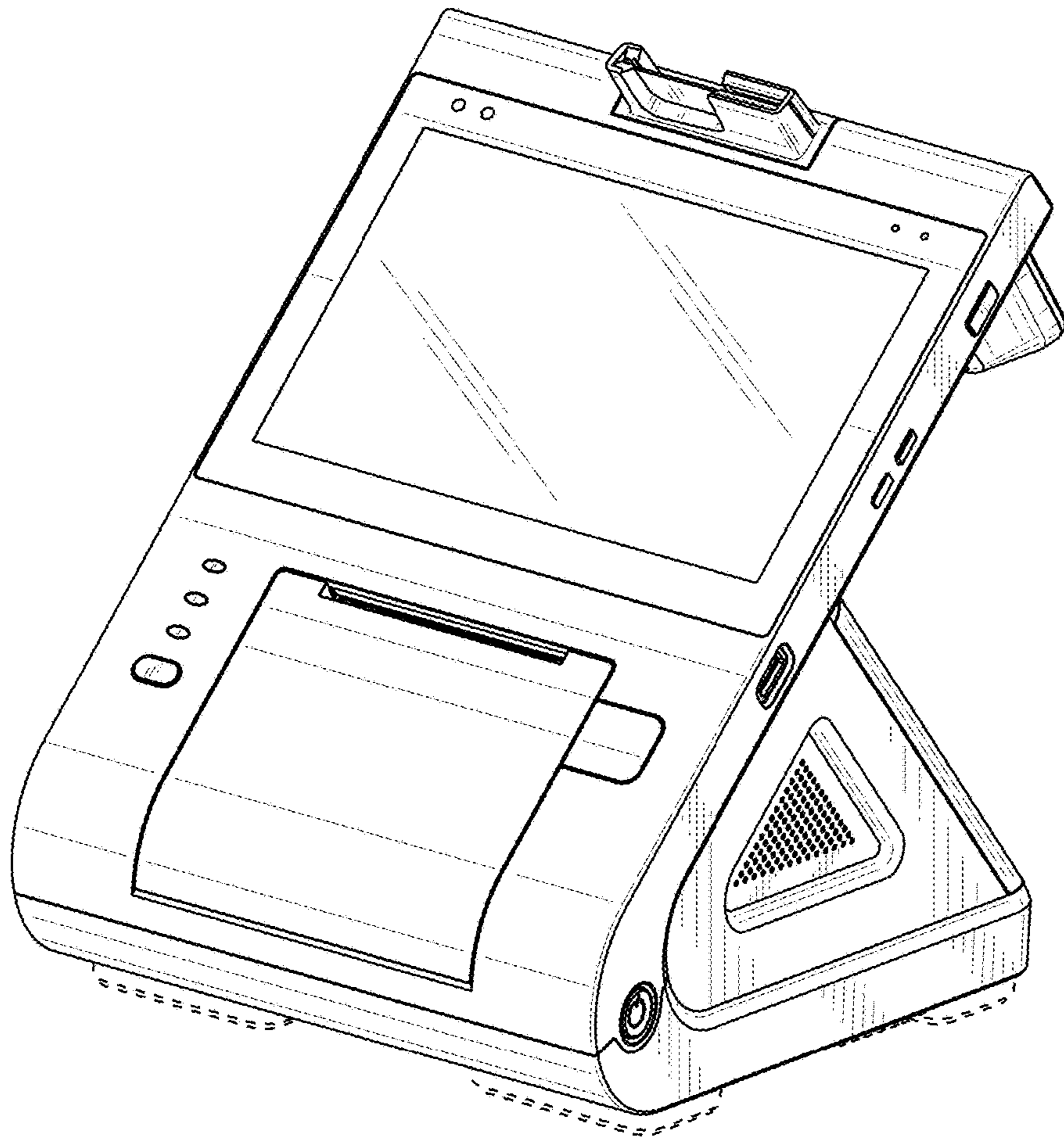


FIG. 1

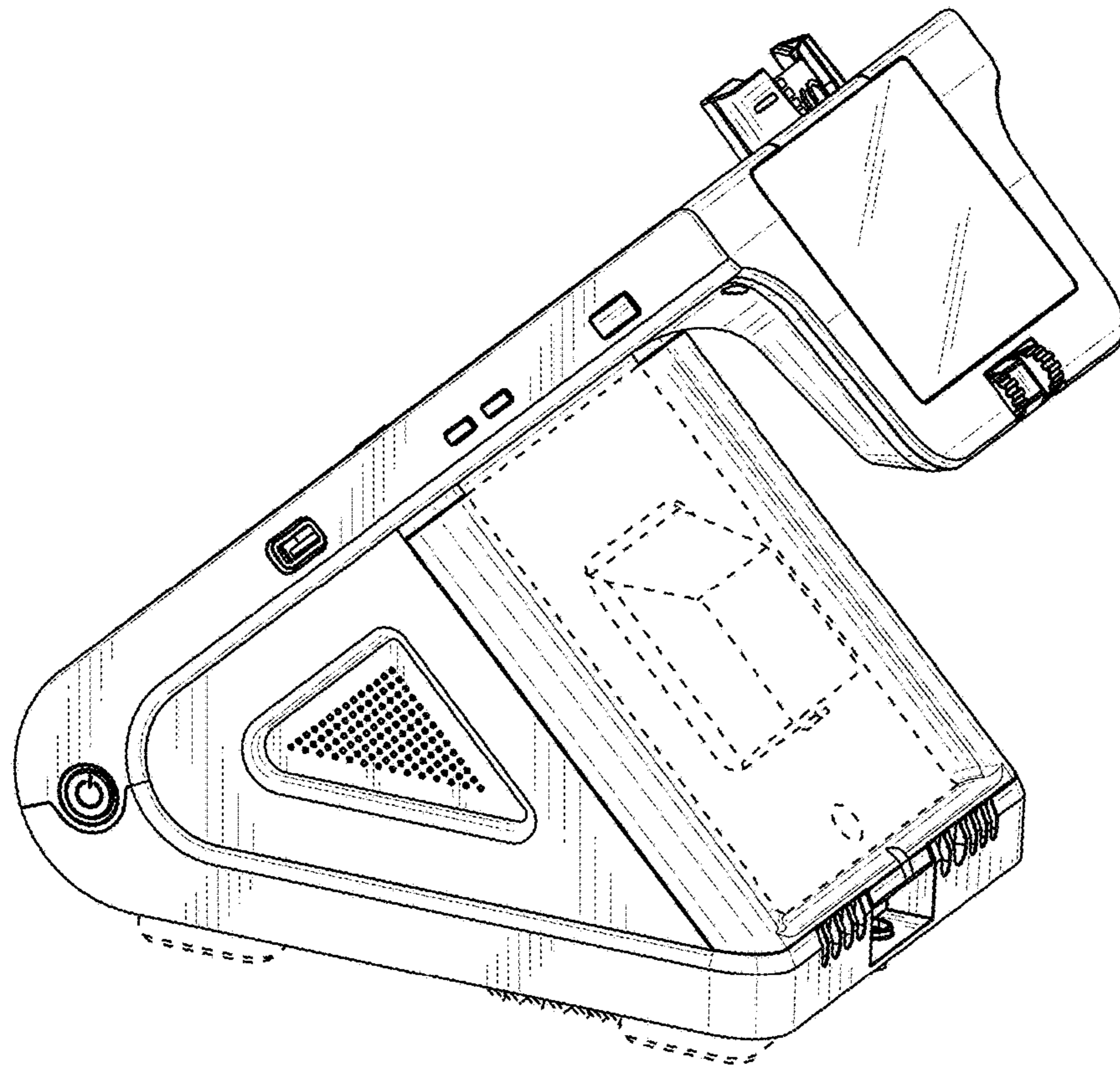


FIG. 2

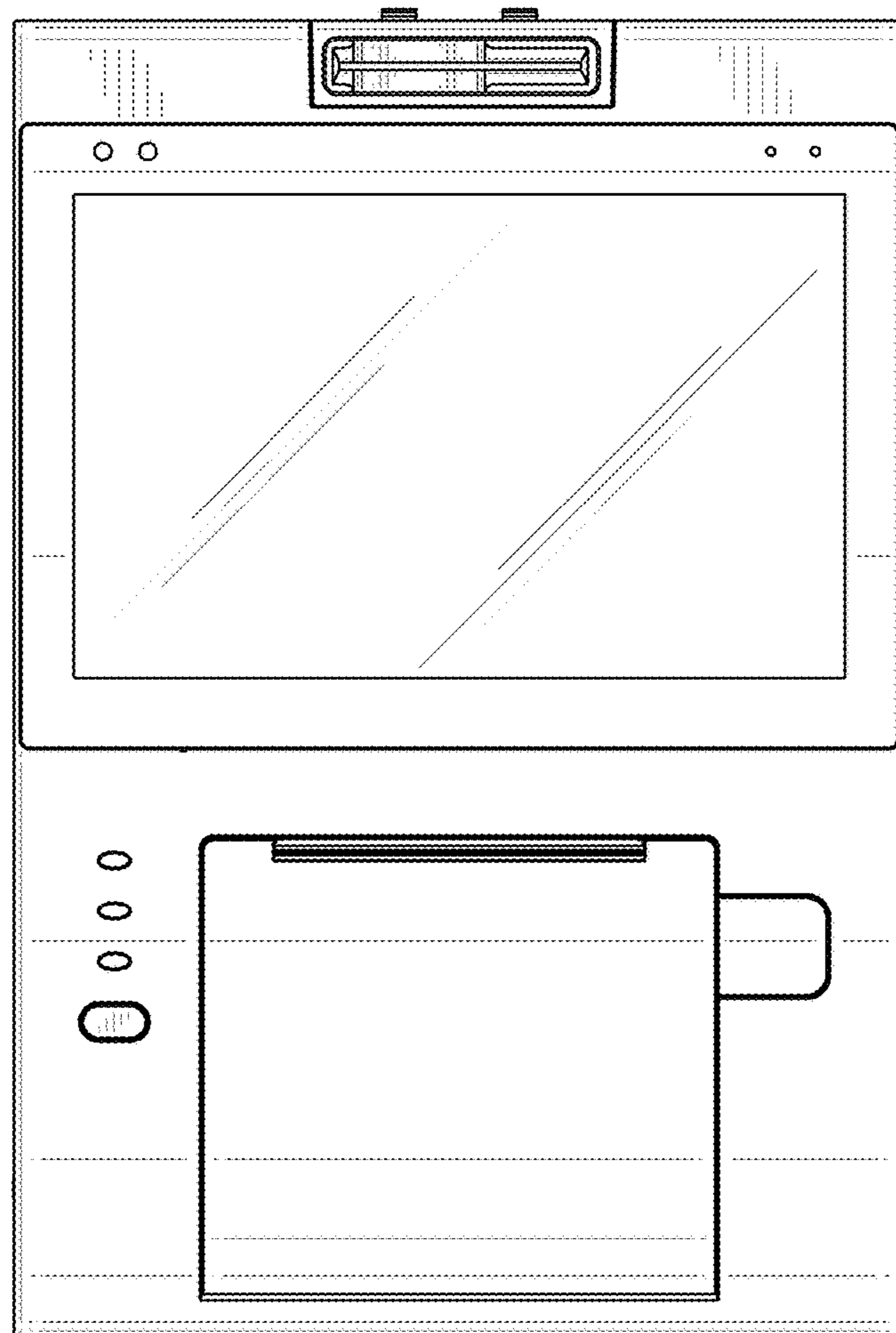


FIG. 3

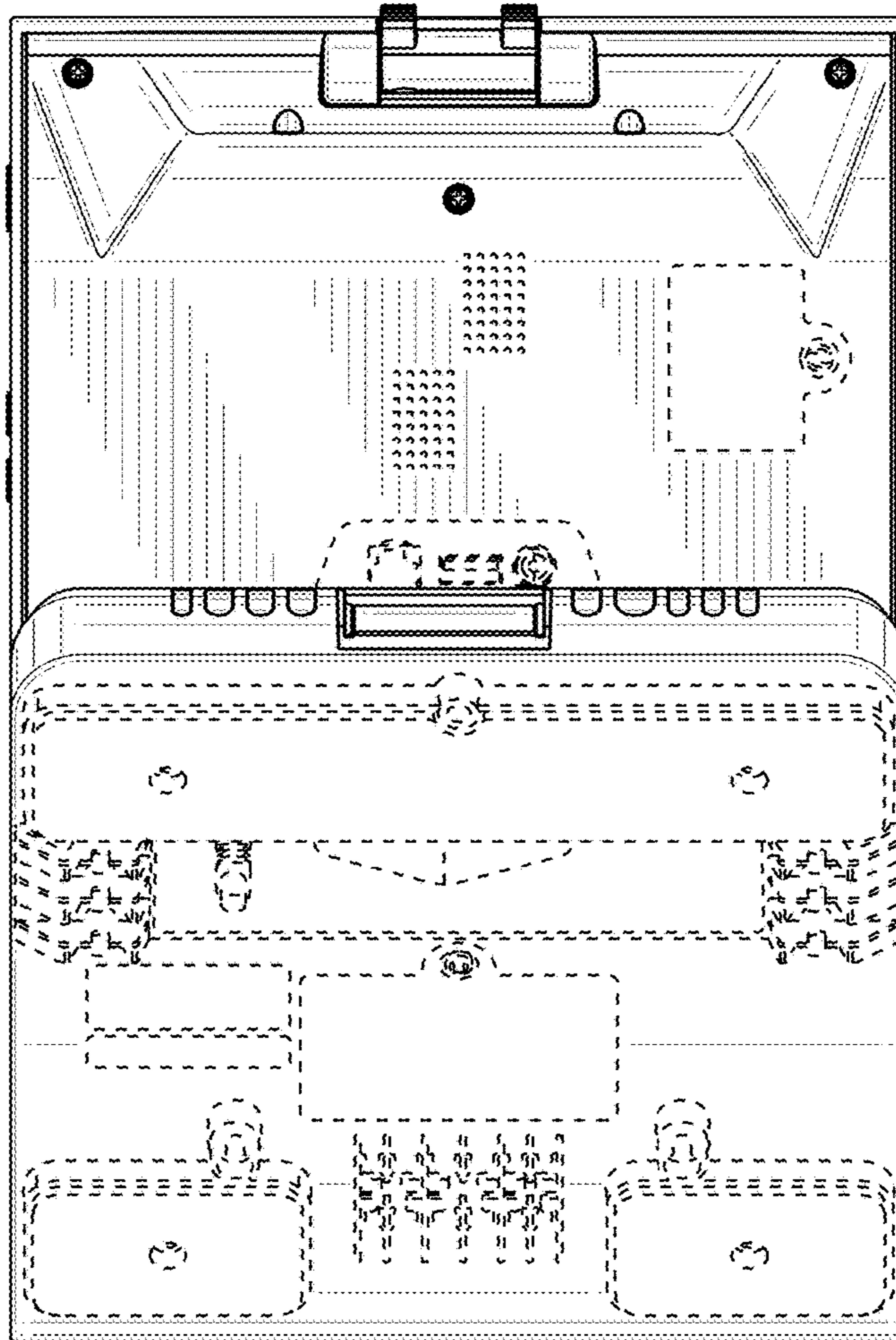


FIG. 4

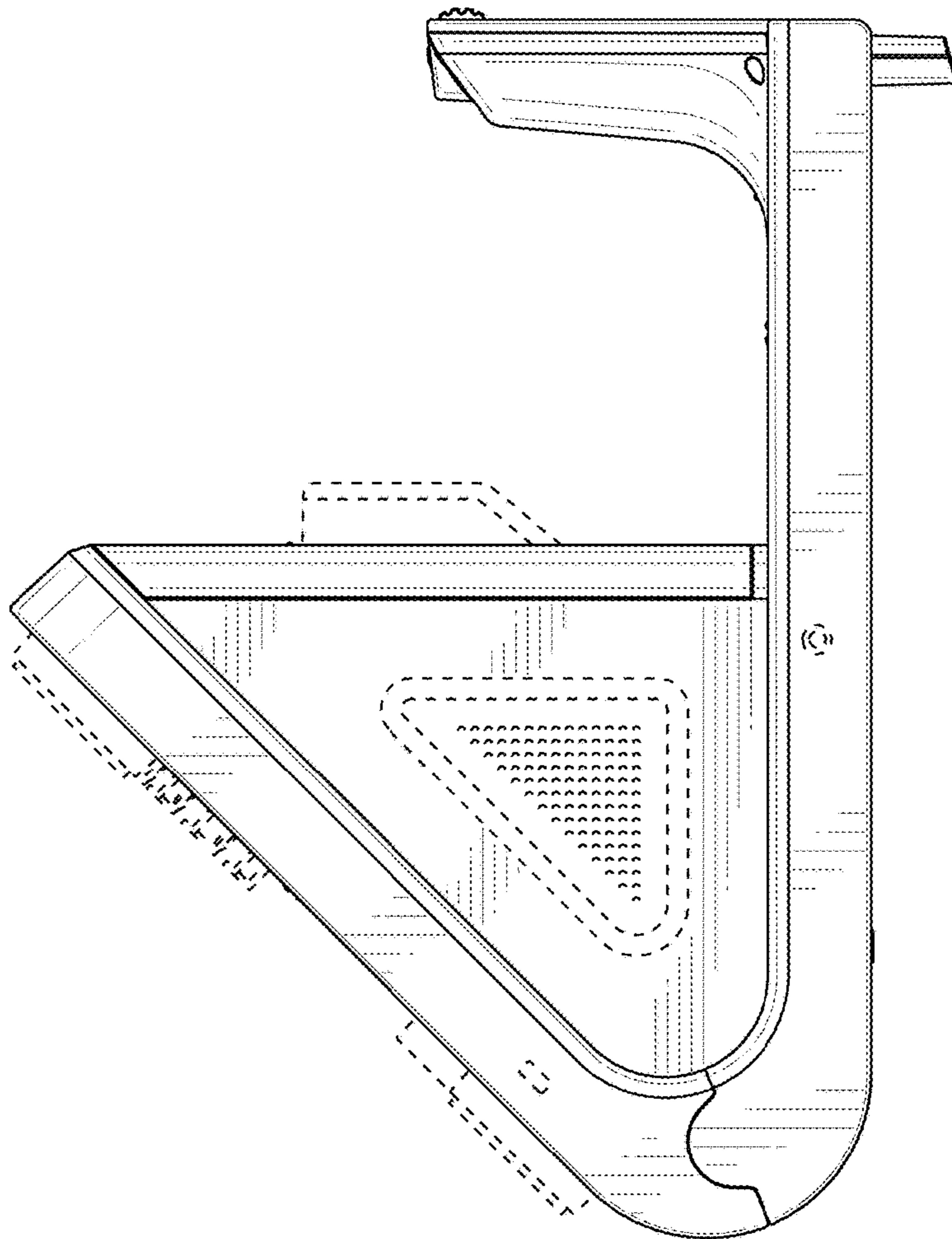


FIG. 5

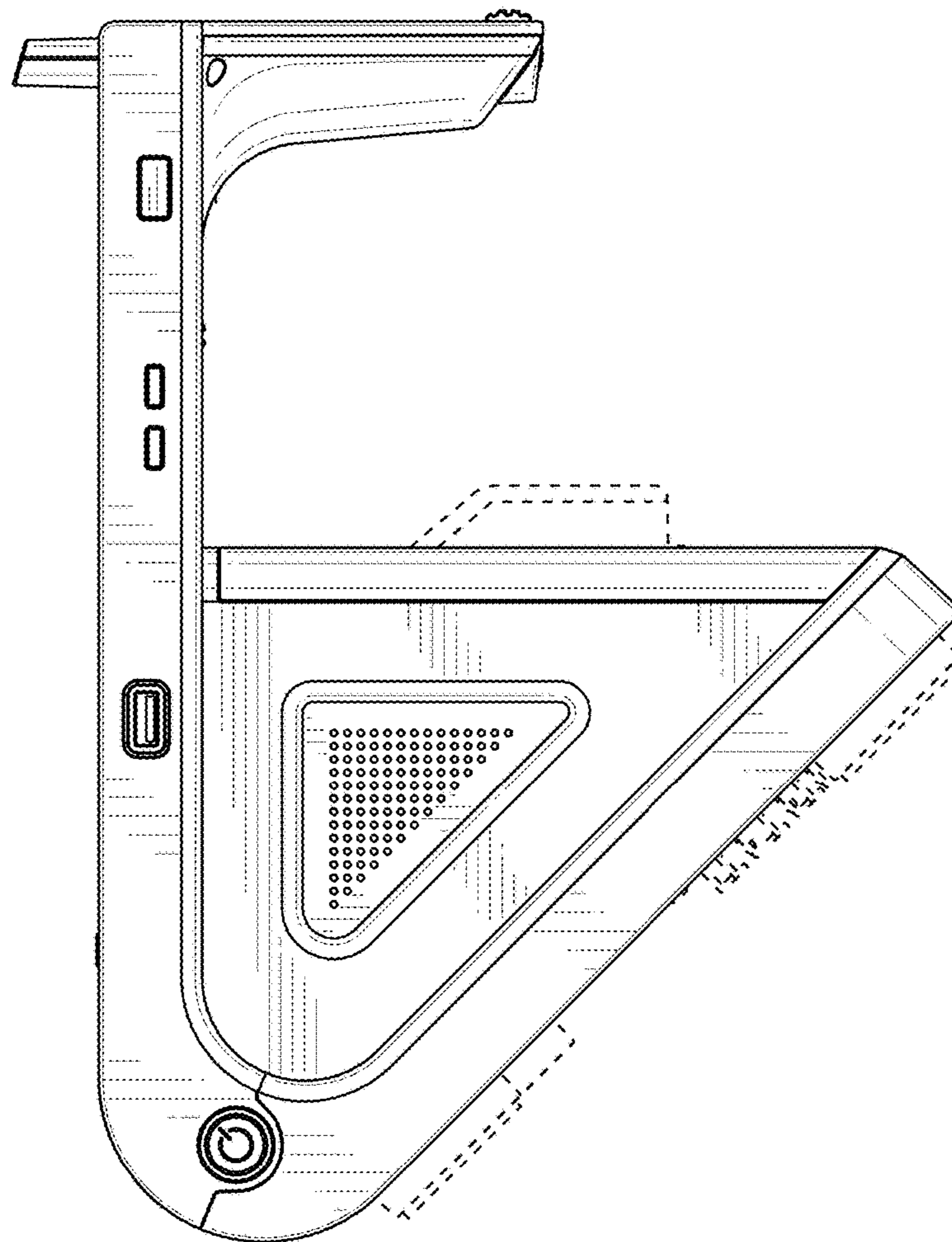


FIG. 6

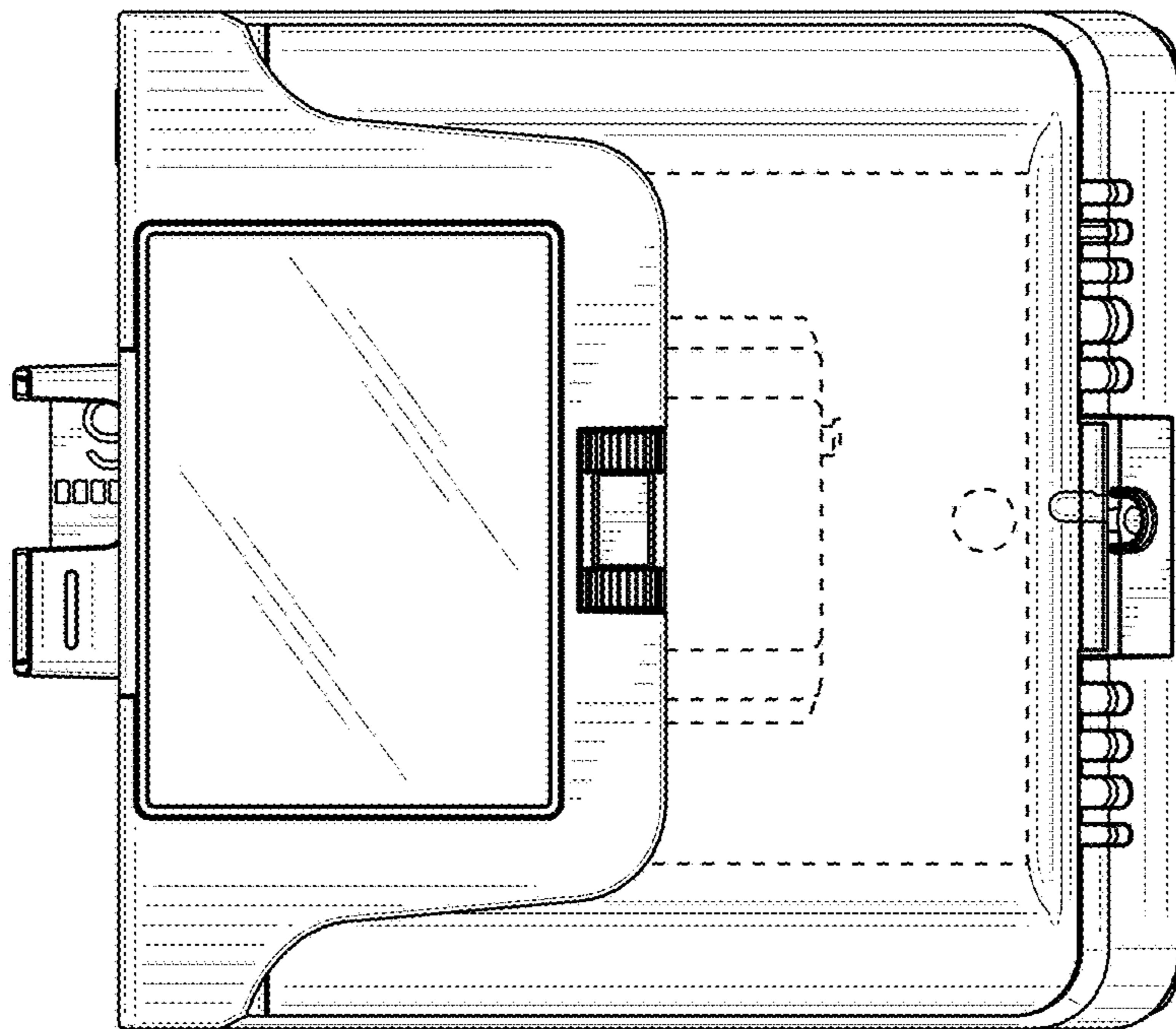


FIG. 7

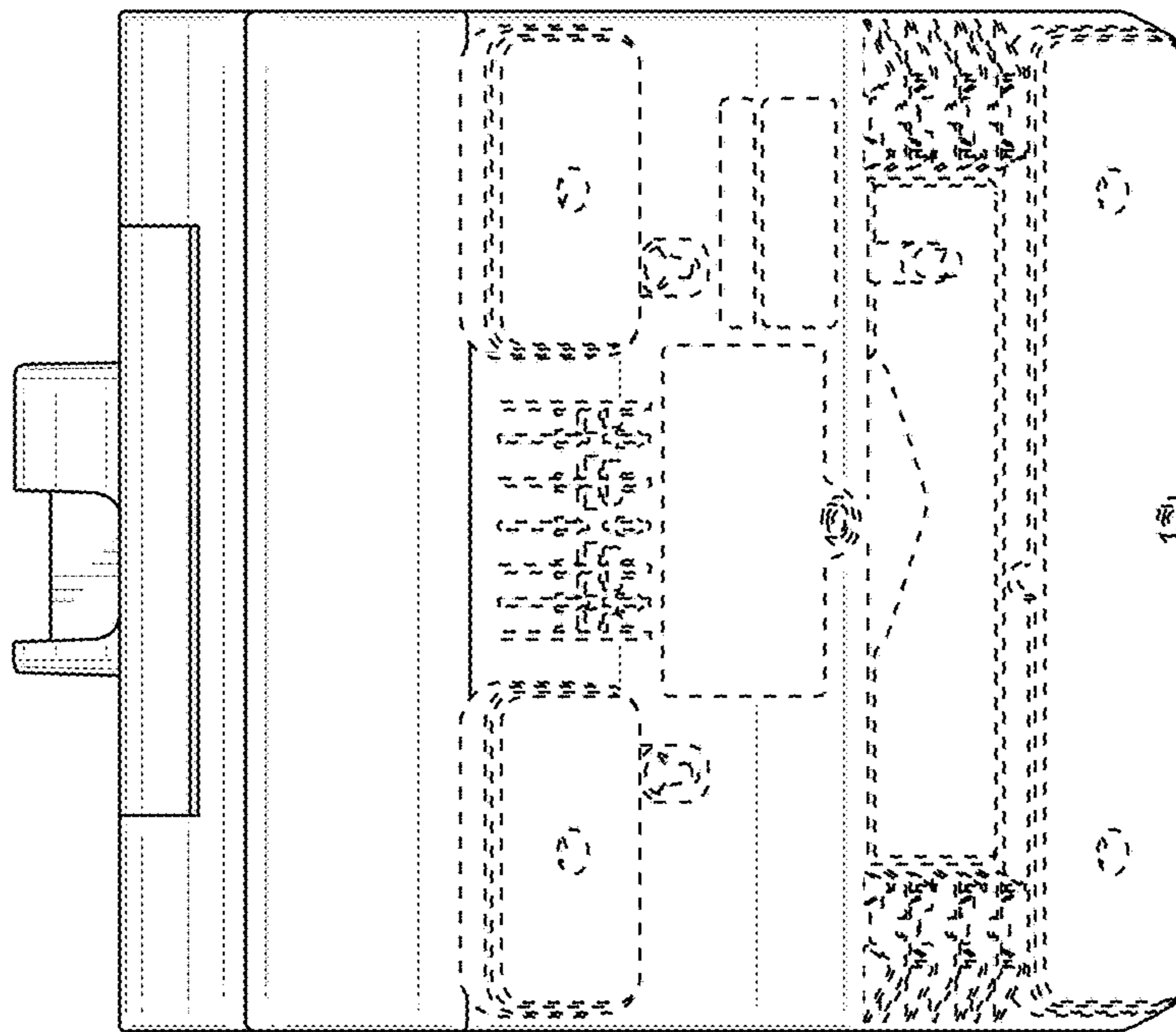


FIG. 8