



US00D857789S

(12) **United States Design Patent**
Huang

(10) **Patent No.:** **US D857,789 S**

(45) **Date of Patent:** **** Aug. 27, 2019**

(54) **EYEGLASS MAGNET CONNECTION**

(71) Applicant: **Wen-Tse Huang**, Kaohsiung (TW)

(72) Inventor: **Wen-Tse Huang**, Kaohsiung (TW)

(**) Term: **15 Years**

(21) Appl. No.: **29/588,471**

(22) Filed: **Dec. 21, 2016**

(51) **LOC (12) Cl.** **16-06**

(52) **U.S. Cl.**
USPC **D16/334**

(58) **Field of Classification Search**
USPC D16/300–342, 101; D29/109–110;
D21/483, 659–661; 351/41, 44, 45–48,
351/51–52, 62, 158, 92, 103–123,
351/140–153, 63, 59; 2/13, 15, 426–432,
2/447–449, 441, 434–437
CPC G02C 5/16; G02C 5/14; G02C 5/146;
G02C 5/2254; G02C 5/008; G02C
2200/08; G02C 2200/22; G02C 1/06;
G02C 11/02; G02C 11/04; A61M
2021/0044; A63B 33/002

See application file for complete search history.

(56) **References Cited**

U.S. PATENT DOCUMENTS

D291,207 S *	8/1987	Kunz	D16/331
5,984,472 A *	11/1999	Kobayashi	G02C 1/08 16/228
D458,626 S *	6/2002	Desbriez-Piat	D16/334
6,474,812 B1 *	11/2002	Moon	G02C 9/00 351/47
7,121,663 B1 *	10/2006	Huang	G02C 5/008 351/153
D553,179 S *	10/2007	Irvine	D16/334
D682,924 S *	5/2013	Cheung	D16/334
D751,631 S *	3/2016	Montoya	D16/334
D813,935 S *	3/2018	Somers	D16/334
D824,452 S *	7/2018	Ellis	D16/330

2003/0147045 A1 *	8/2003	Fukuoka	G02C 5/2245 351/153
2004/0207806 A1 *	10/2004	Kerjean	G02C 5/2236 351/153
2004/0244086 A1 *	12/2004	Kim	G02C 9/00 2/13
2005/0225717 A1 *	10/2005	Reane	G02C 5/2209 351/153
2006/0126011 A1 *	6/2006	Chen	G02C 5/2236 351/113
2006/0132706 A1 *	6/2006	Li	G02C 5/10 351/153

(Continued)

Primary Examiner — Michelle E. Wilson

Assistant Examiner — Sanjeev Paul

(74) *Attorney, Agent, or Firm* — Alan D. Kamrath; Mayer & Williams PC

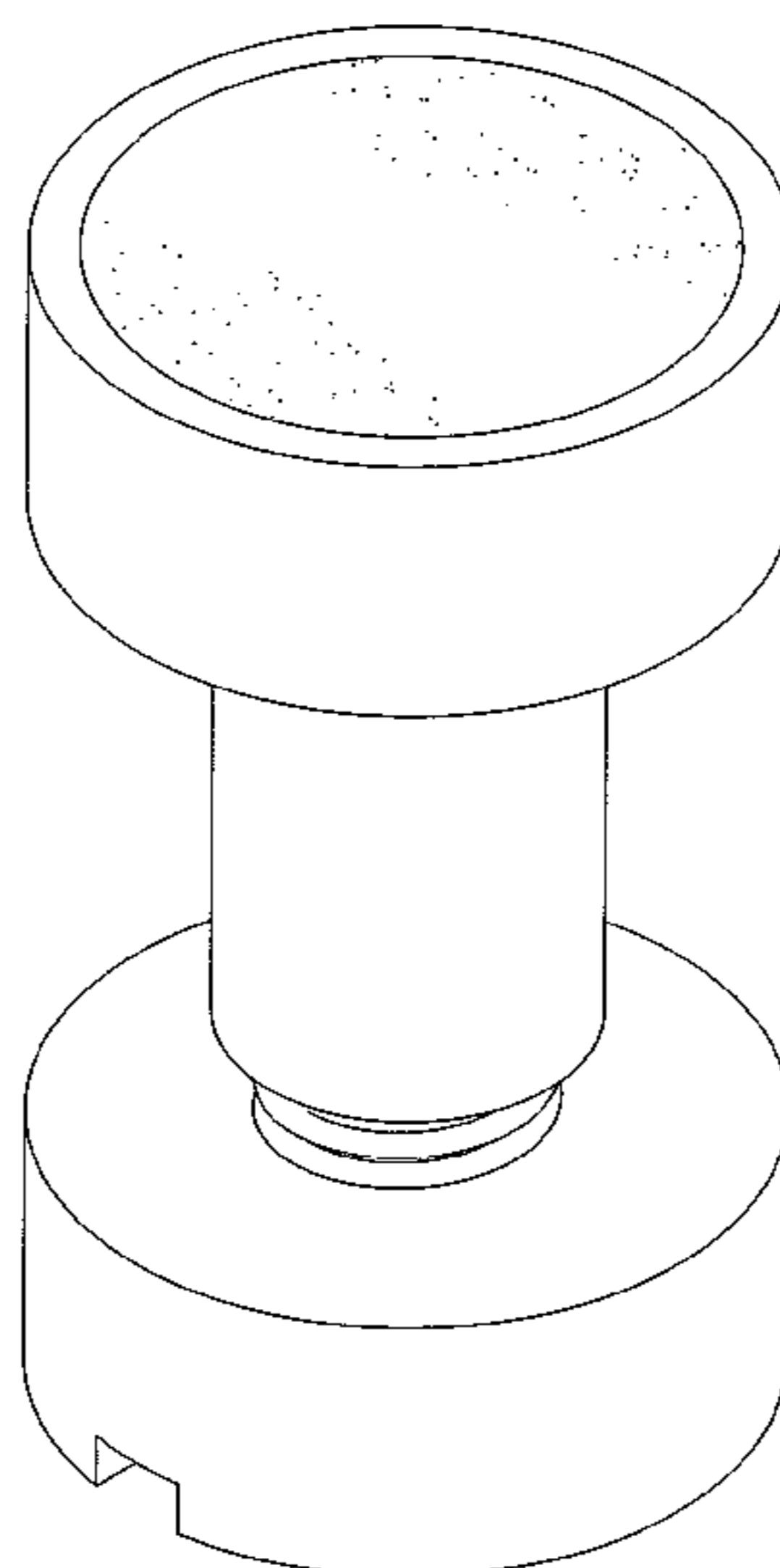
(57) **CLAIM**

The ornamental design for an eyeglass magnet connection, as shown and described.

DESCRIPTION

FIG. 1 is a perspective view of an eyeglass magnet connection showing my design;
 FIG. 2 is a front elevational view thereof;
 FIG. 3 is a rear elevational view thereof;
 FIG. 4 is a left elevational view thereof;
 FIG. 5 is a right elevational view thereof;
 FIG. 6 is a top plan view thereof;
 FIG. 7 is a bottom plan view thereof;
 FIG. 8 is a sectional view thereof taken along section line 8-8 of FIG. 6; and,
 FIG. 9 is a perspective view of the eyeglass magnet connection in accordance with my design, shown in its environment thereof.
 The broken lines shown in FIG. 9 show environment for illustrative purposes only and form no part of the claimed design.

1 Claim, 9 Drawing Sheets



(56)

References Cited

U.S. PATENT DOCUMENTS

2006/0234718 A1* 10/2006 Barrett H04W 24/00
455/453
2007/0091253 A1* 4/2007 Chao G02C 9/00
351/59
2008/0074608 A1* 3/2008 Chen G02C 5/2263
351/120
2011/0032473 A1* 2/2011 Medana G02C 5/10
351/153
2011/0051075 A1* 3/2011 Niu G02C 5/2254
351/153
2015/0168741 A1* 6/2015 Esmaili G02C 5/001
351/115
2015/0316791 A1* 11/2015 Lachambre G02C 11/02
351/119
2016/0107035 A1* 4/2016 Chou A63B 33/002
2/452
2016/0116761 A1* 4/2016 Sbardella G02C 5/2245
351/153

* cited by examiner

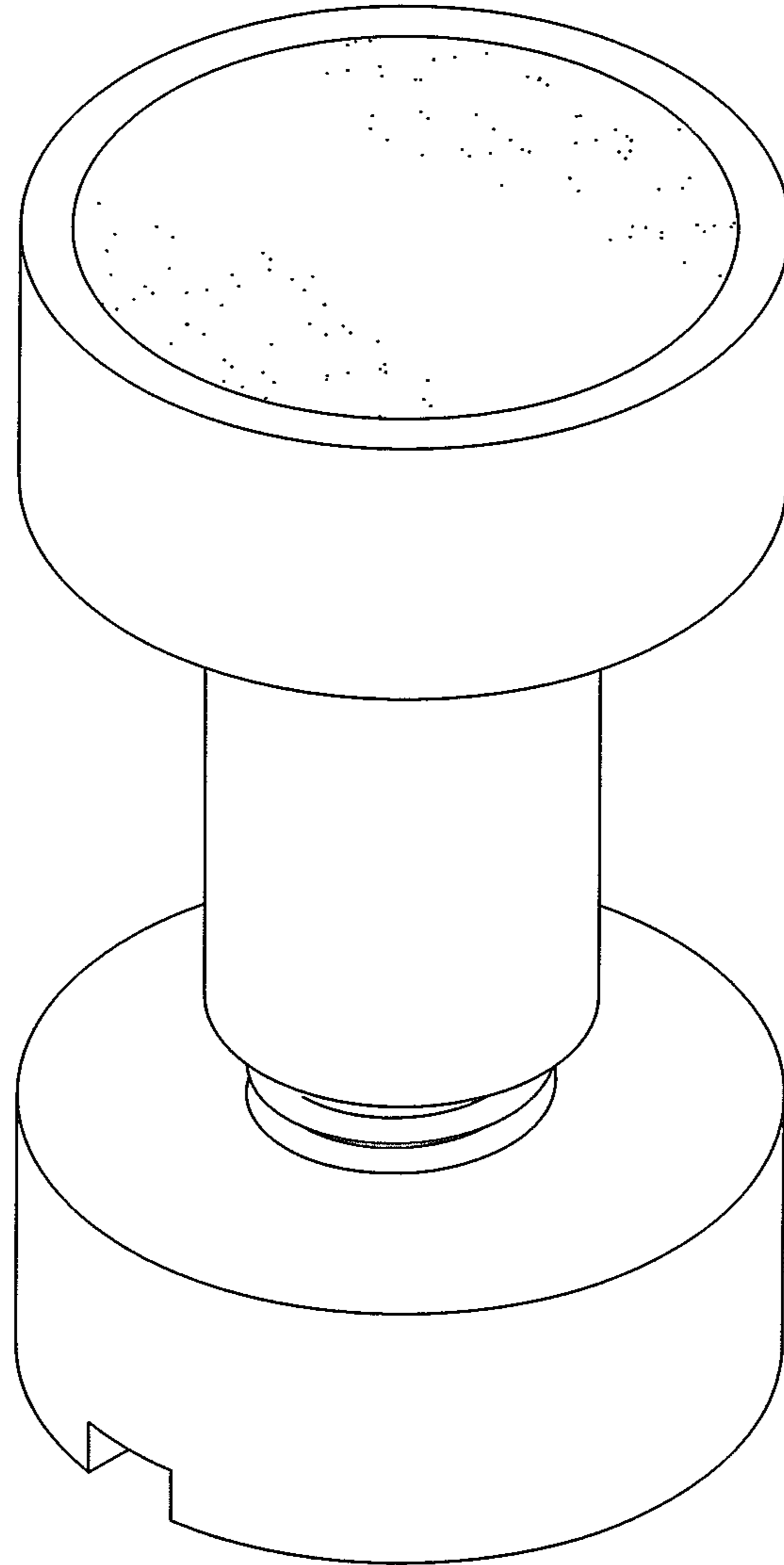


FIG.1

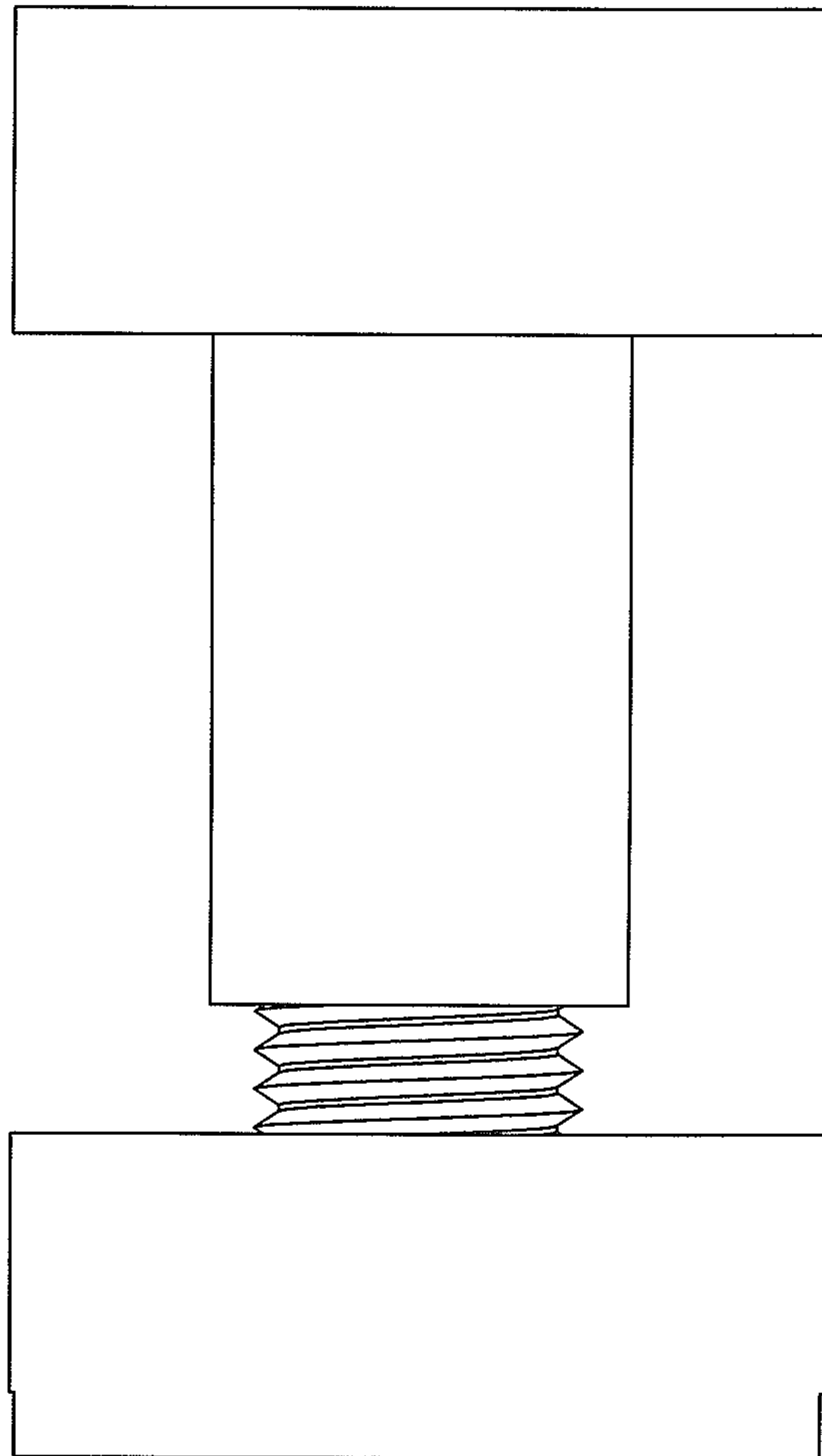


FIG.2

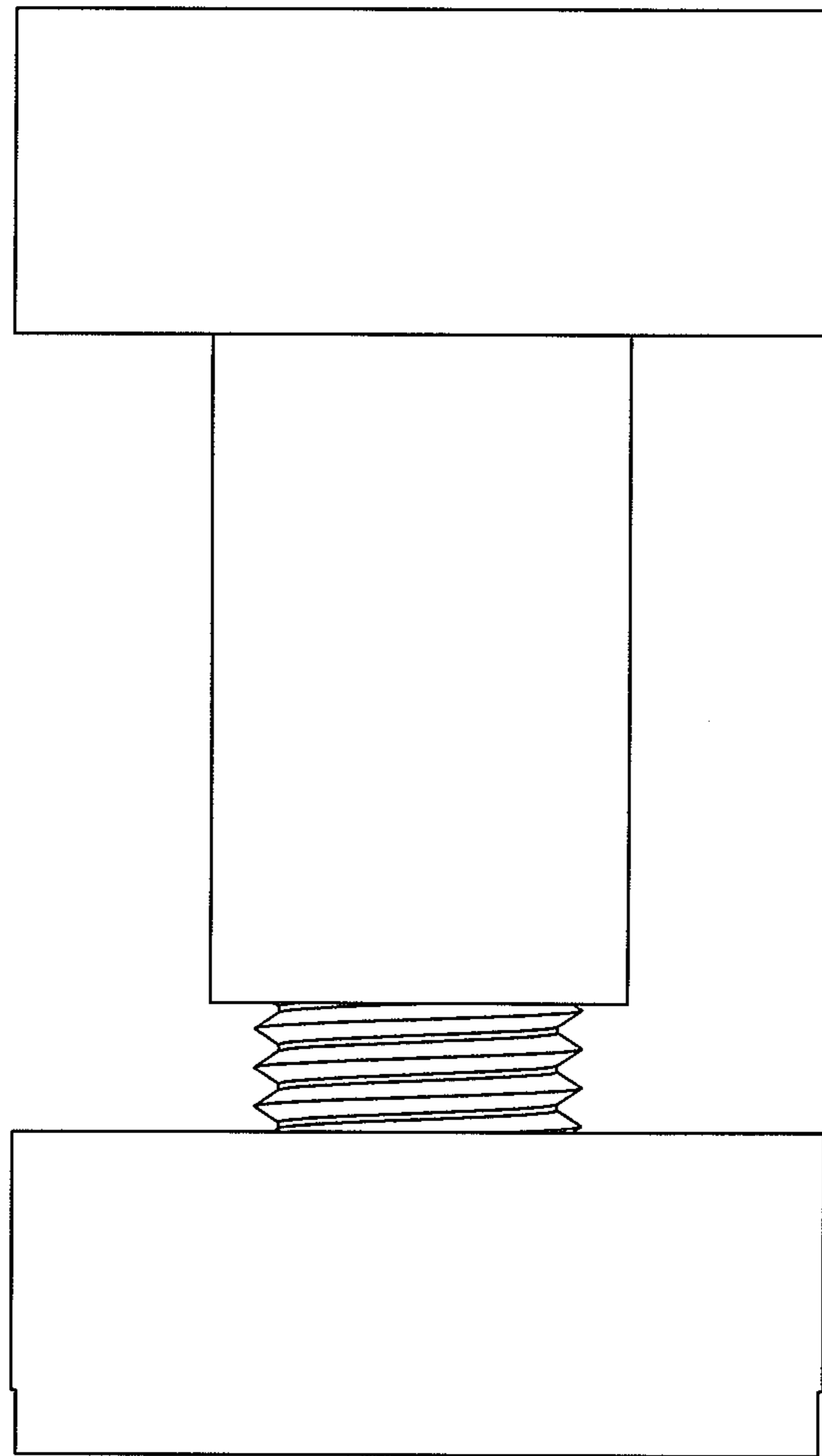


FIG.3

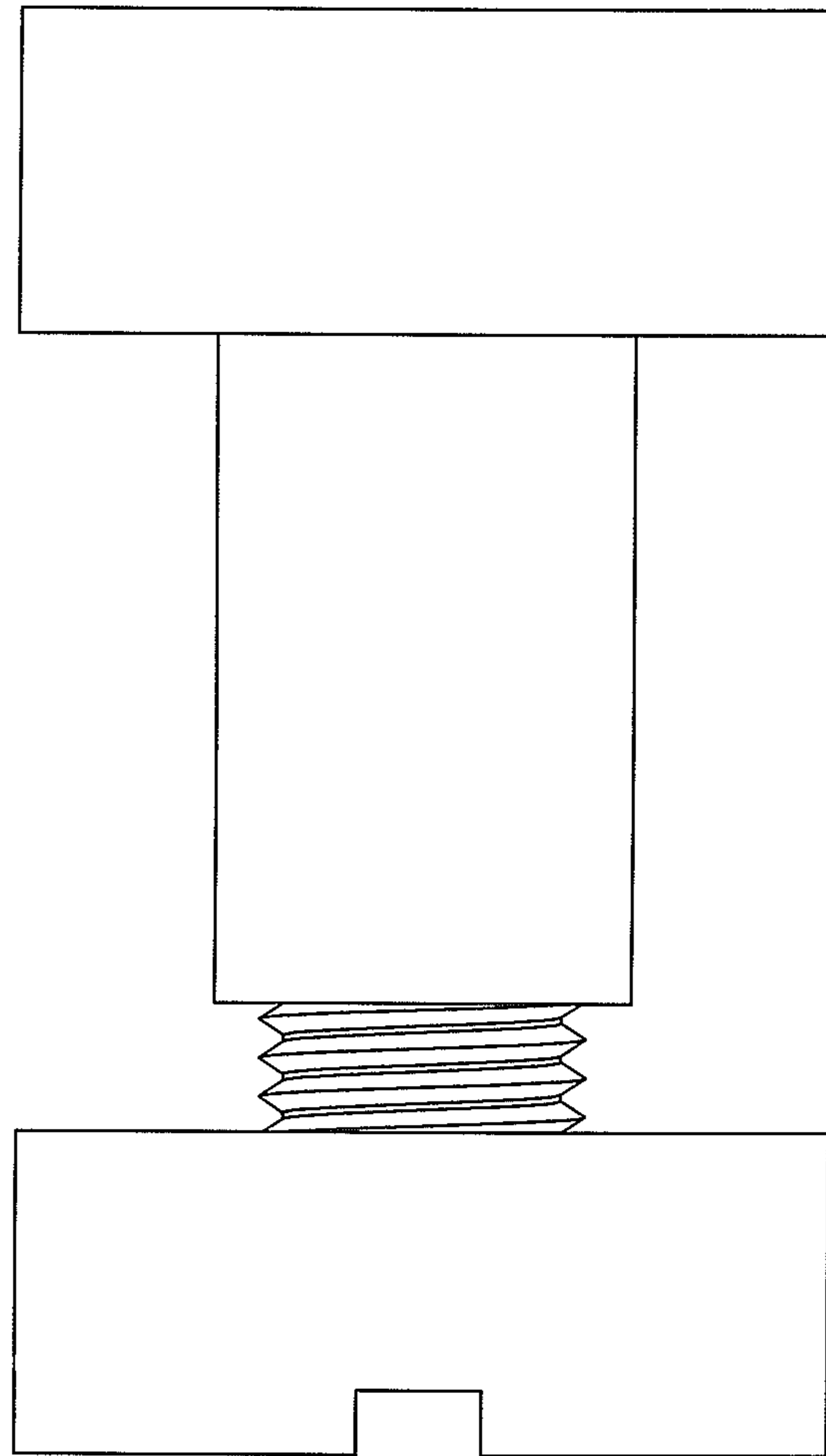


FIG.4

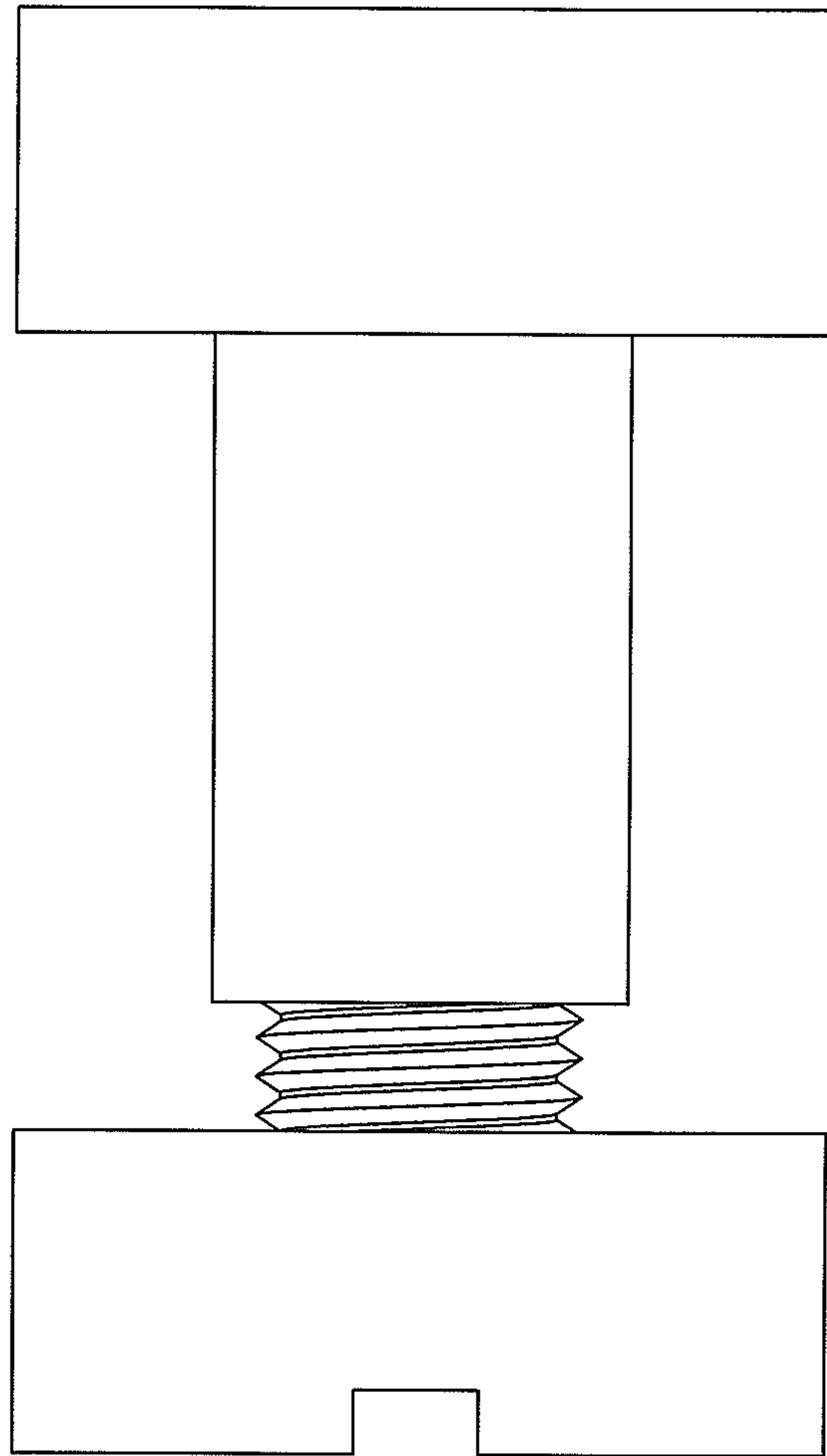


FIG.5

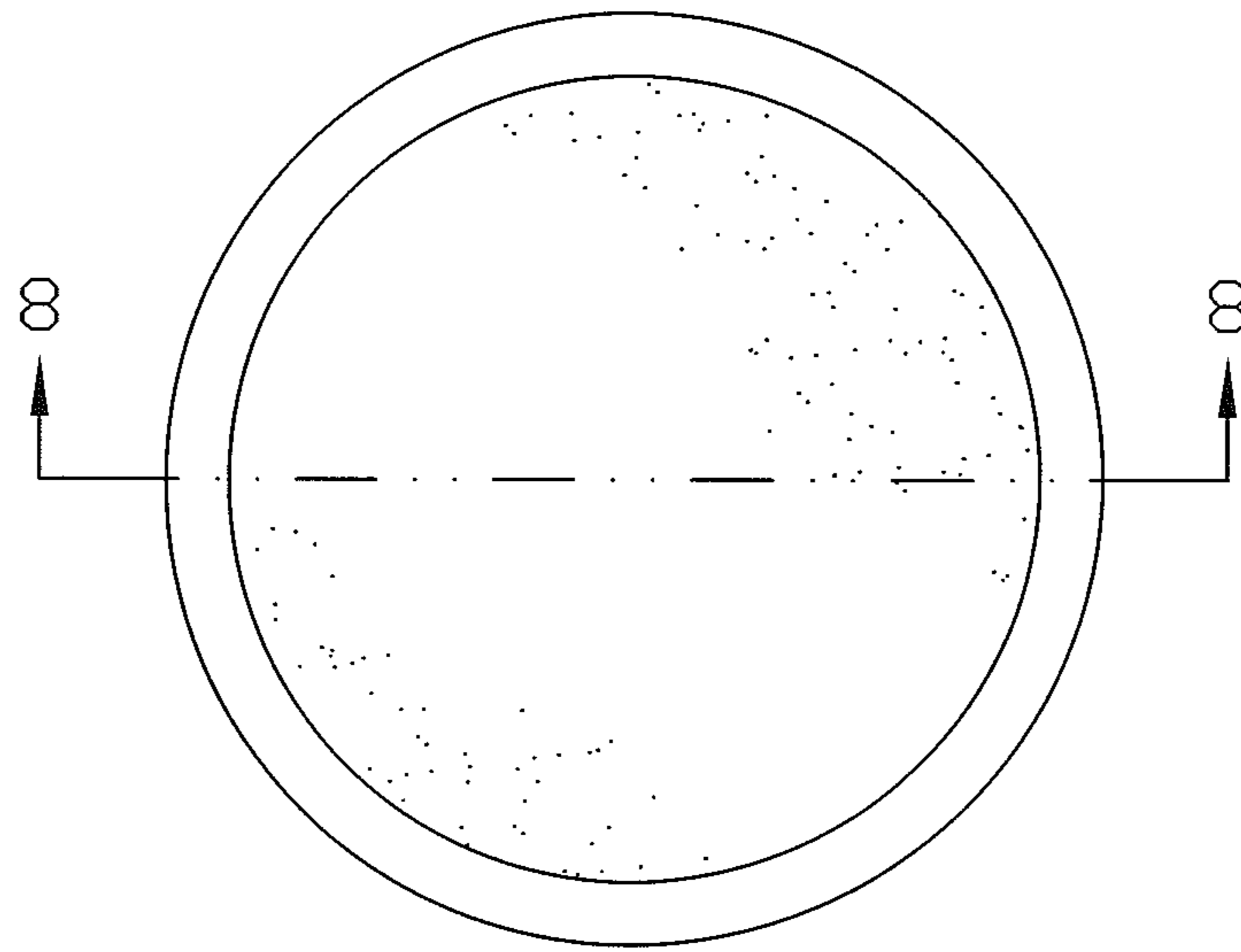


FIG. 6

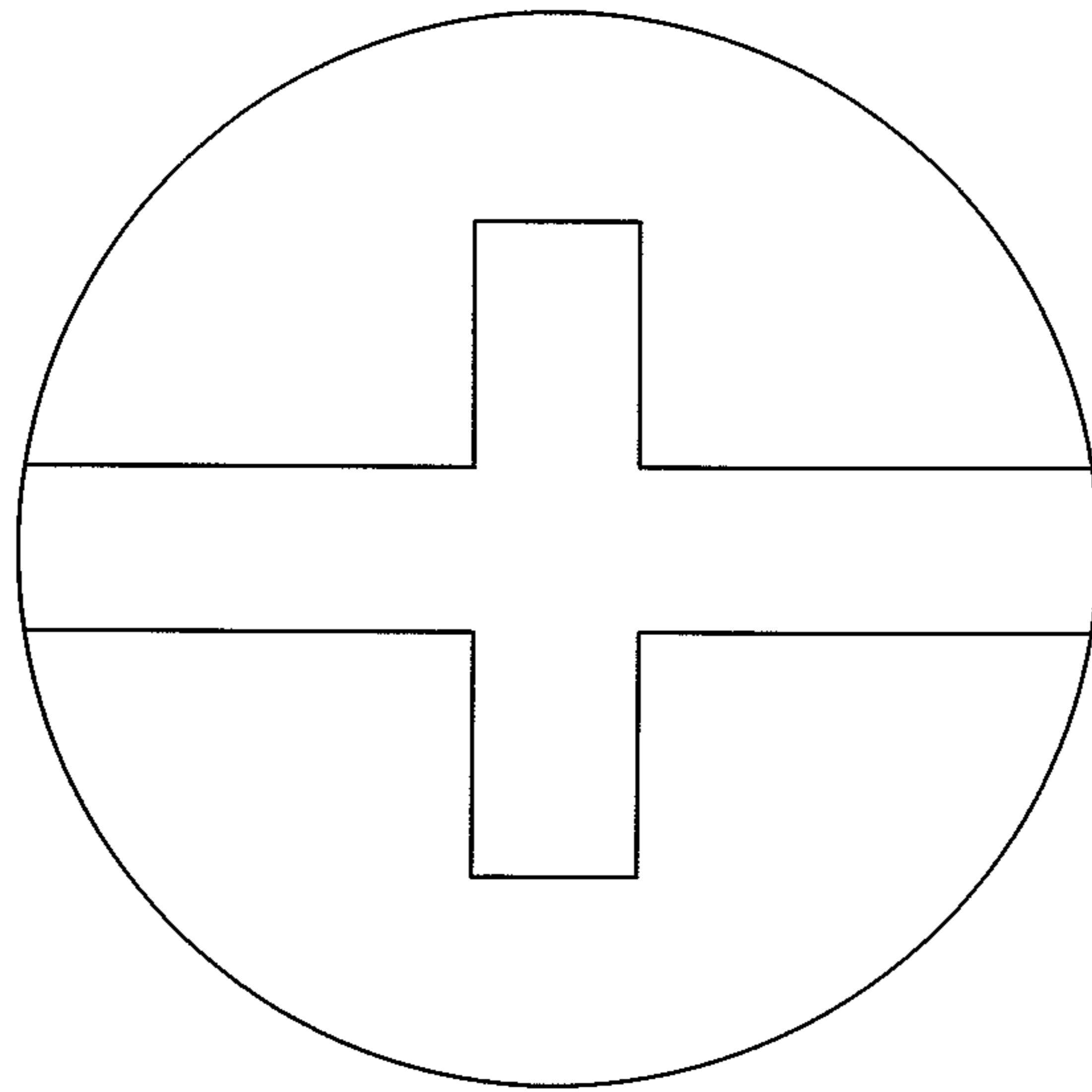


FIG.7

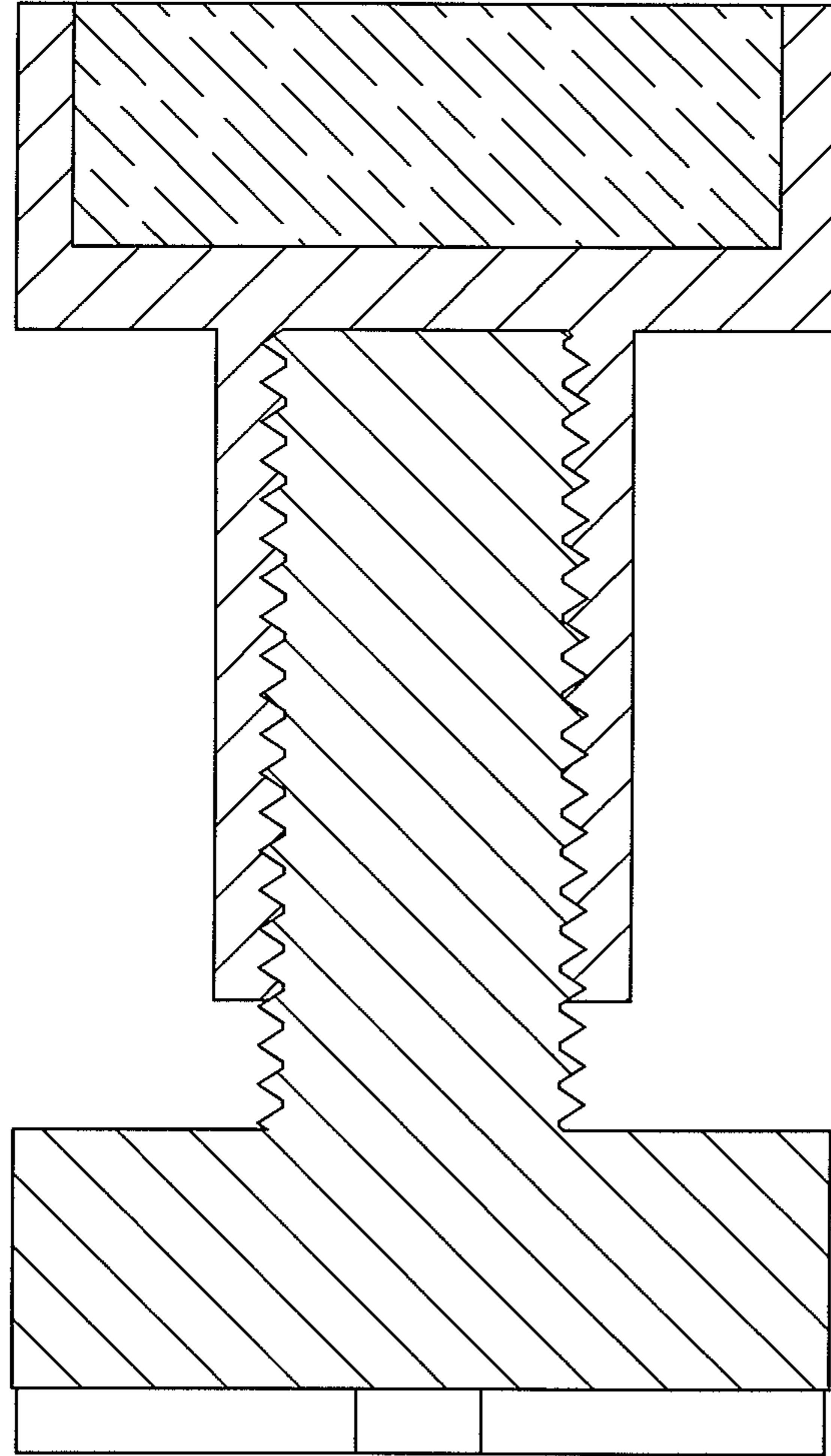


FIG. 8

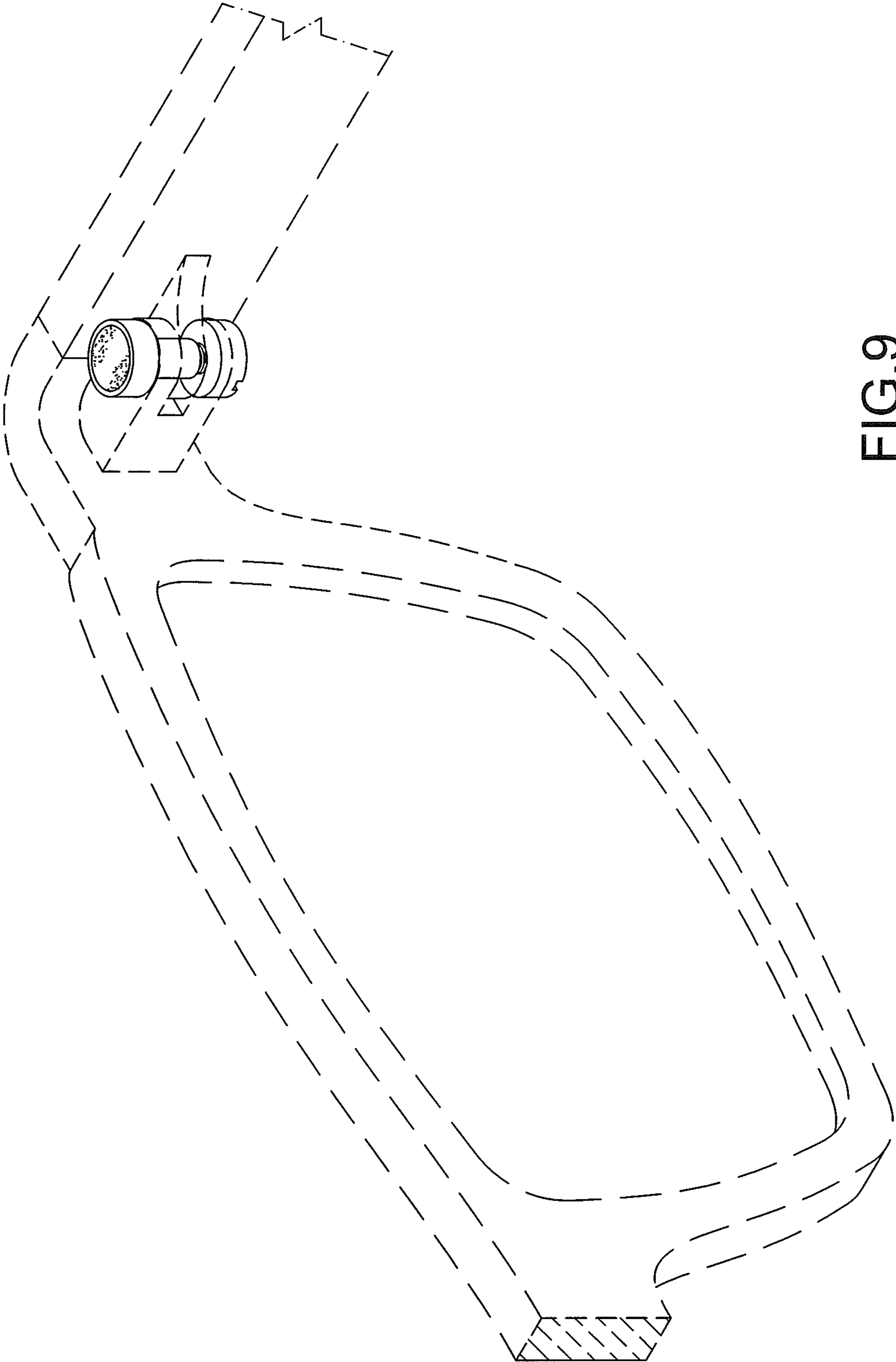


FIG.9