



US00D857786S

(12) **United States Design Patent**  
**Kim et al.**

(10) **Patent No.:** **US D857,786 S**

(45) **Date of Patent:** **\*\* Aug. 27, 2019**

(54) **GIMBAL**

(71) Applicant: **SZ DJI TECHNOLOGY CO., LTD.**,  
Shenzhen (CN)

(72) Inventors: **Min Kim**, Shenzhen (CN); **Zhi-Hui  
Zhu**, Shenzhen (CN); **Xiao-Yu Tian**,  
Shenzhen (CN)

(73) Assignee: **SZ DJI TECHNOLOGY CO., LTD.**,  
Shenzhen (CN)

(\*\*) Term: **15 Years**

(21) Appl. No.: **29/632,363**

(22) Filed: **Jan. 8, 2018**

(51) **LOC (12) Cl.** ..... **16-05**

(52) **U.S. Cl.**  
USPC ..... **D16/243**; D14/217

(58) **Field of Classification Search**  
USPC ..... D16/219, 237-250; D14/224, 229, 238,  
D14/251, 253, 447, 451, 457, 217;  
D8/354, 355, 363, 373, 382-383,  
D8/394-396

CPC ..... F16M 11/06-10; F16M 11/14; G02B  
7/00-002; G03B 17/56; G03B  
17/561-568; H04N 5/2253-2254; A45F  
2200/0508-0533; A45F 5/00; A45F 5/10

See application file for complete search history.

(56) **References Cited**

**U.S. PATENT DOCUMENTS**

8,267,361 B1 \* 9/2012 Dordick ..... F16M 11/14  
248/178.1  
8,699,134 B2 \* 4/2014 Shen ..... G02B 23/165  
359/429  
D780,825 S \* 3/2017 Kim ..... D10/103  
D784,997 S \* 4/2017 Cheng ..... D14/447  
D785,073 S \* 4/2017 Wang ..... D16/242  
D794,606 S \* 8/2017 Zheng ..... D14/217  
D795,946 S \* 8/2017 Kim ..... D16/206

D796,482 S \* 9/2017 Zheng ..... D14/217  
D799,447 S \* 10/2017 Zheng ..... D14/217  
D799,448 S \* 10/2017 Zheng ..... D14/217  
D799,465 S \* 10/2017 Sukphist ..... D14/253  
9,800,786 B1 \* 10/2017 Wei ..... G03B 17/568  
D810,171 S \* 2/2018 Kim ..... D16/206  
D810,806 S \* 2/2018 Kim ..... D16/206  
D824,882 S \* 8/2018 Zheng ..... D14/217  
D826,310 S \* 8/2018 Wang ..... D16/243

(Continued)

**OTHER PUBLICATIONS**

Dji Ronin-S.[online] Published on Jul. 11, 2018. Retrieved Nov. 28,  
2018 from URL: [https://www.adorama.com/djirons.html?gclid=CjwKCAiAlvnfBRA1EiwAVOEgfNURHmtKldTc8Mr7KulyVvBsTx4C0dQGjm2FjCpBuGTiWqSqyvkh6hoCJpQQAvD\\_BwE.\\*](https://www.adorama.com/djirons.html?gclid=CjwKCAiAlvnfBRA1EiwAVOEgfNURHmtKldTc8Mr7KulyVvBsTx4C0dQGjm2FjCpBuGTiWqSqyvkh6hoCJpQQAvD_BwE.*)

(Continued)

*Primary Examiner* — Vy N Koenig

(74) *Attorney, Agent, or Firm* — ScienBiziP, P.C.

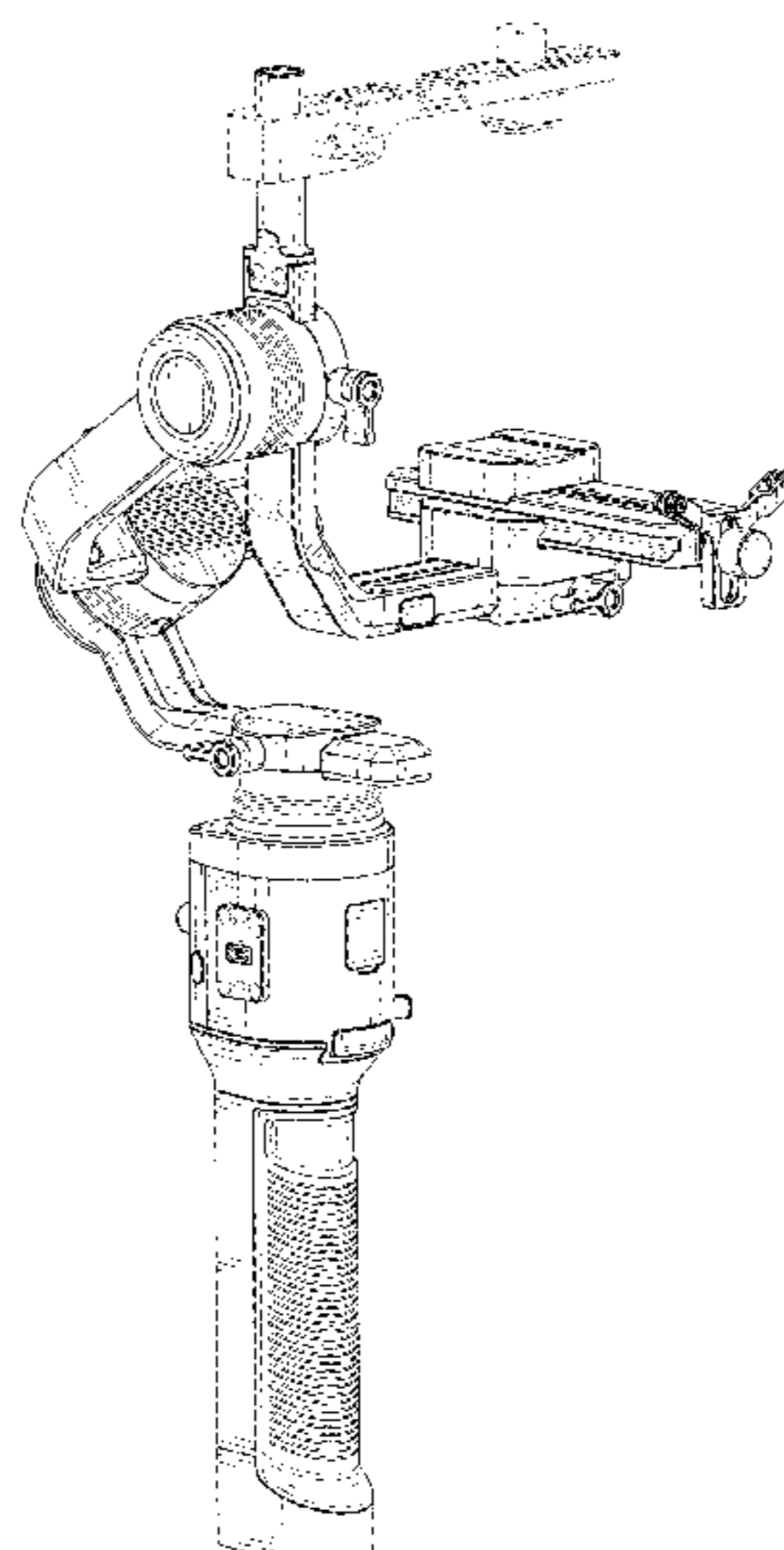
(57) **CLAIM**

The ornamental design for a gimbal, as shown and described.

**DESCRIPTION**

FIG. 1 is a top front perspective view of a gimbal showing my design;  
FIG. 2 is a top rear perspective of the gimbal of FIG. 1;  
FIG. 3 is a front elevation view of the gimbal of FIG. 1;  
FIG. 4 is a rear elevation view of the gimbal of FIG. 1;  
FIG. 5 is a left side elevation view of the gimbal of FIG. 1;  
FIG. 6 is a right side elevation view of the gimbal of FIG. 1;  
FIG. 7 is a top plan view of the gimbal of FIG. 1; and,  
FIG. 8 is a bottom plan view of the gimbal of FIG. 1.  
The broken lines in the drawings are for illustrating unclaimed portions of the gimbal, and form no part of the claimed design.

**1 Claim, 8 Drawing Sheets**



(56)

**References Cited**

U.S. PATENT DOCUMENTS

2015/0261070 A1\* 9/2015 Feng ..... G03B 17/561  
396/421  
2016/0290556 A1\* 10/2016 Choi ..... F16M 13/022  
2016/0381271 A1\* 12/2016 Cheng ..... F16M 11/041  
348/208.2  
2017/0037995 A1\* 2/2017 Pan ..... F16M 11/18  
2017/0064176 A1\* 3/2017 Kim ..... F16M 11/18  
2017/0146892 A1\* 5/2017 Wei ..... F16M 11/045  
2017/0191613 A1\* 7/2017 Liu ..... B64D 47/08  
2017/0241589 A1\* 8/2017 Wang ..... F16M 11/18  
2017/0307136 A1\* 10/2017 Wei ..... F16M 11/12  
2018/0031951 A1\* 2/2018 Wang ..... G03B 17/561  
2018/0066792 A1\* 3/2018 Chen ..... F16M 11/04

OTHER PUBLICATIONS

Zhiyun Crane V2 3 Axis Brushless Handheld Gimbal Stabilizer 3  
32Bit MCUs. [online ] Retrieved Jul. 7, 2016 from URL: [https://  
www.amazon.com/Crane-V2-Brushless-Stabilizer-Mirrorless/dp/  
B01I2MWUOG/ref=sr\\_1\\_19?s=photo&ie=UTF8&qid=1543417387  
&sr=1-19&keywords=DJI+ronin.\\*](https://www.amazon.com/Crane-V2-Brushless-Stabilizer-Mirrorless/dp/B01I2MWUOG/ref=sr_1_19?s=photo&ie=UTF8&qid=1543417387&sr=1-19&keywords=DJI+ronin.*)

\* cited by examiner

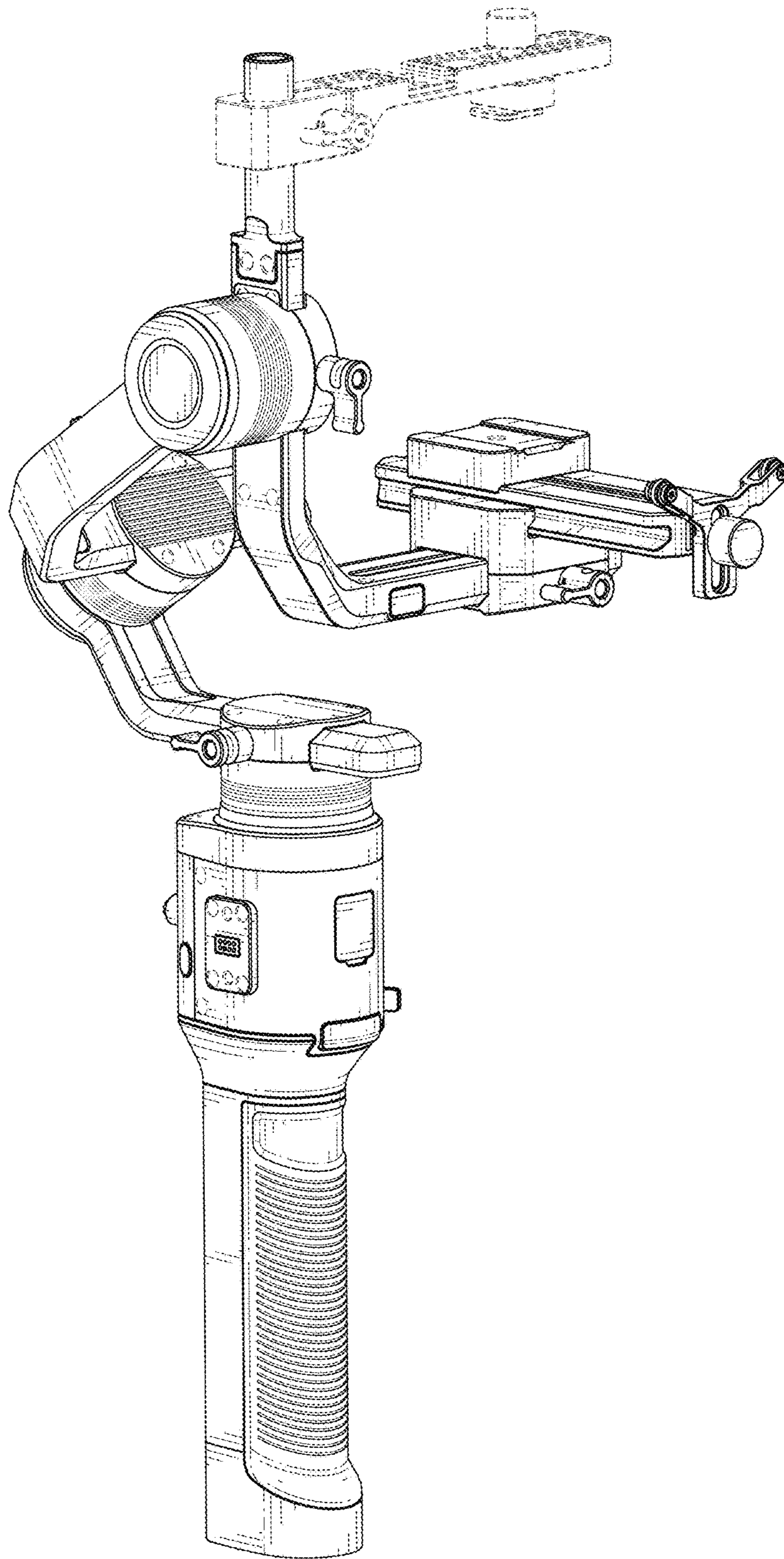


FIG. 1

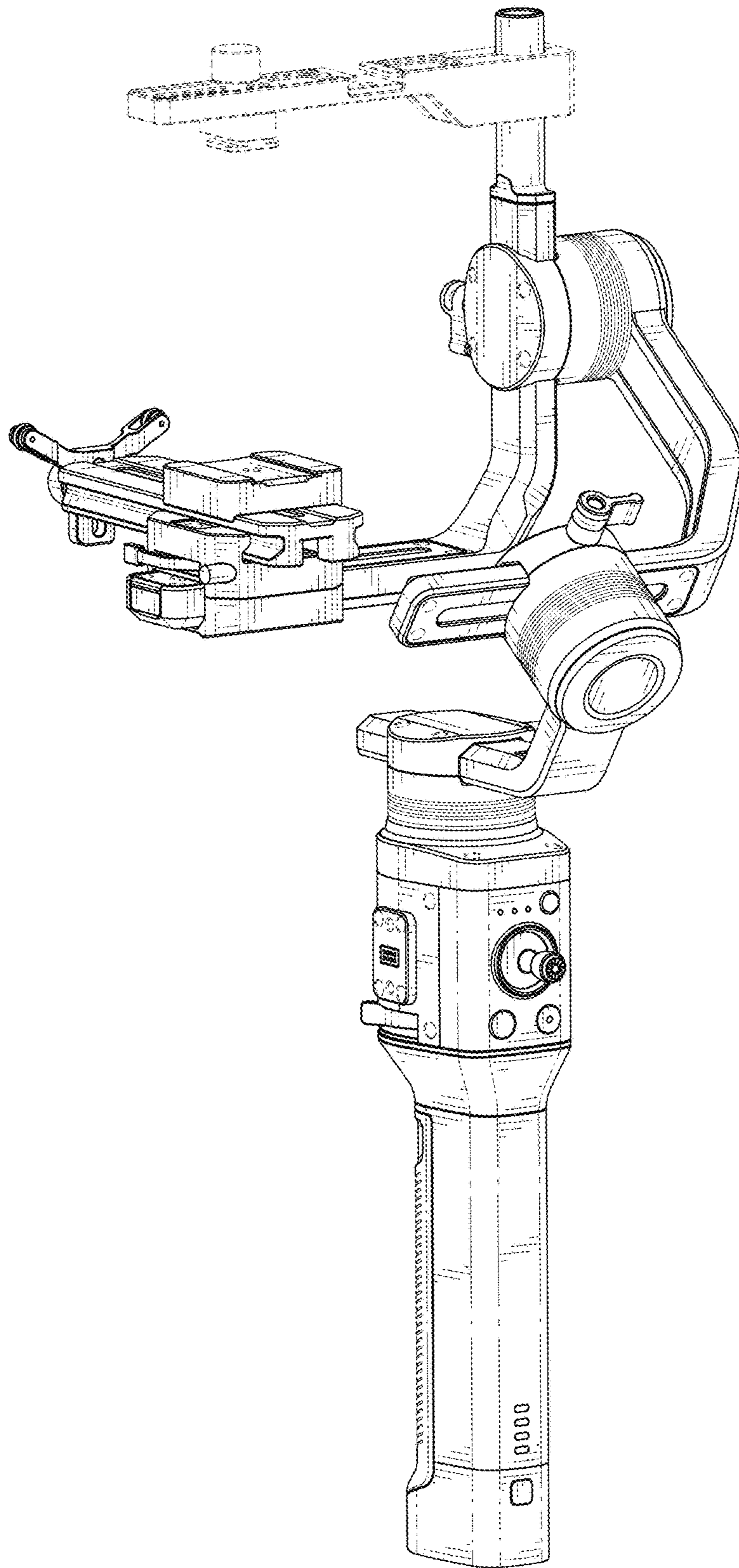


FIG. 2

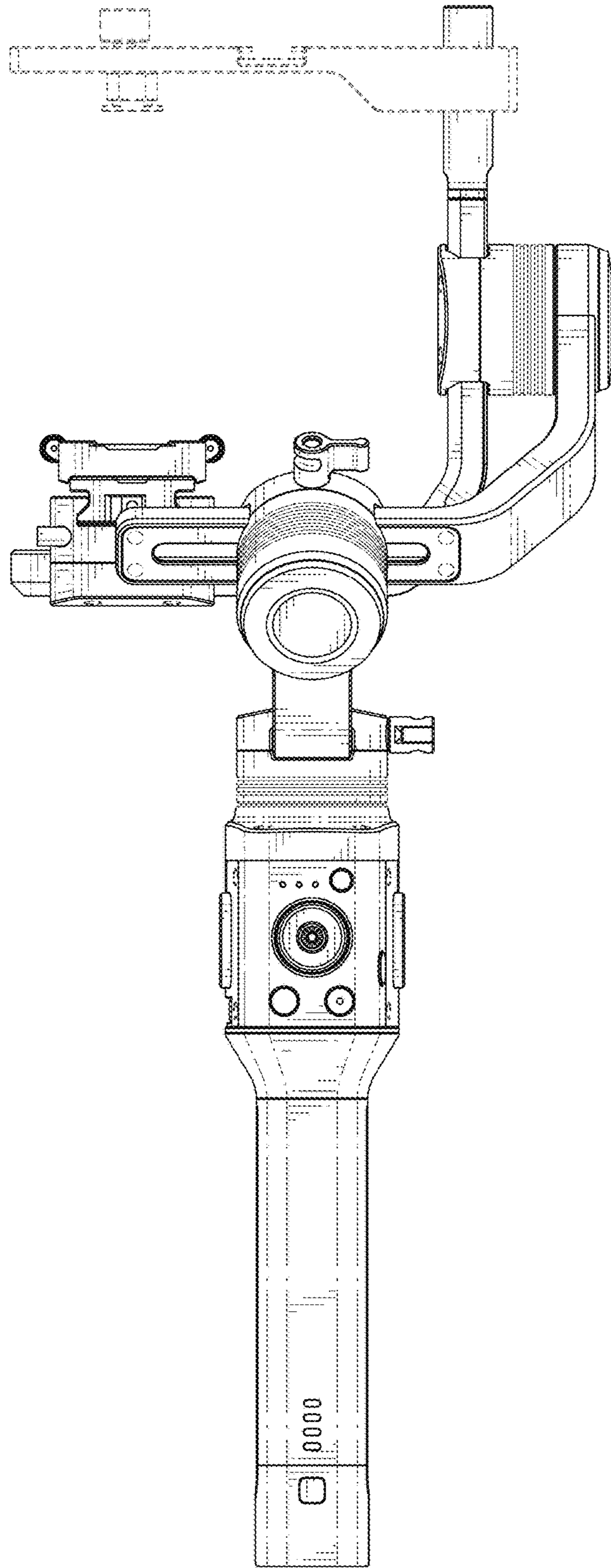


FIG. 3

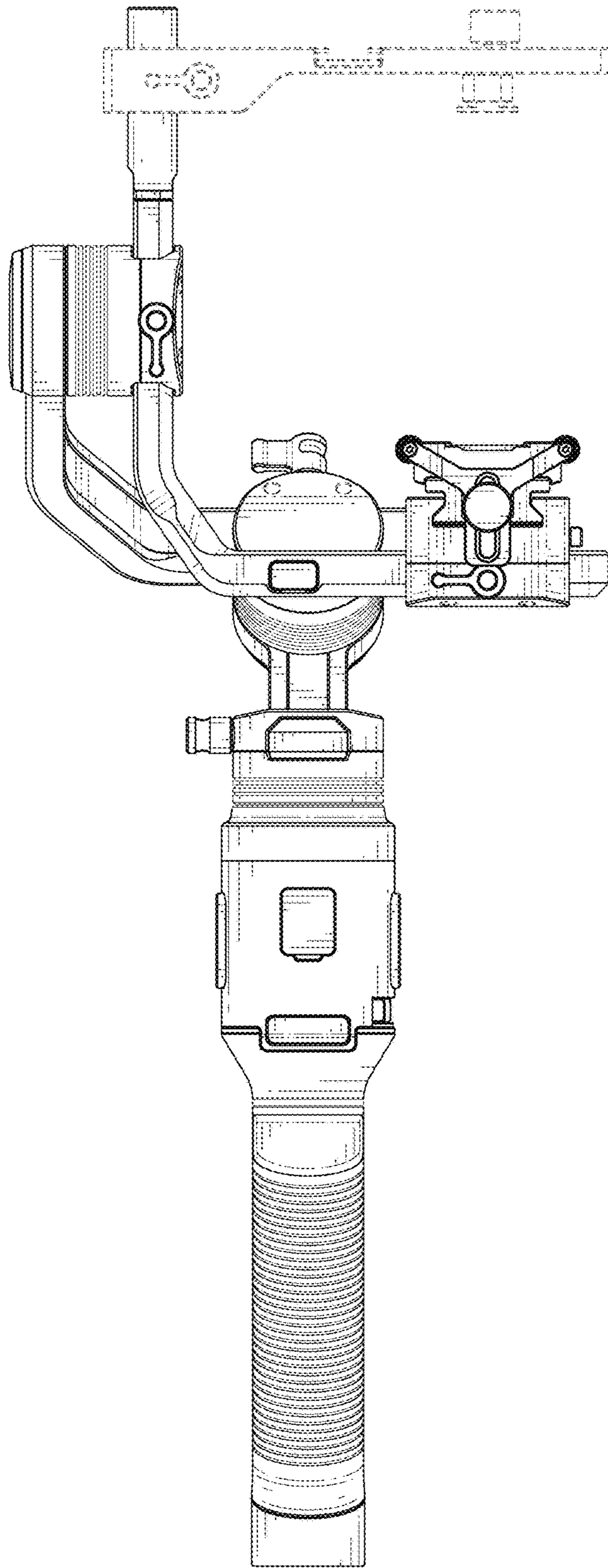


FIG. 4

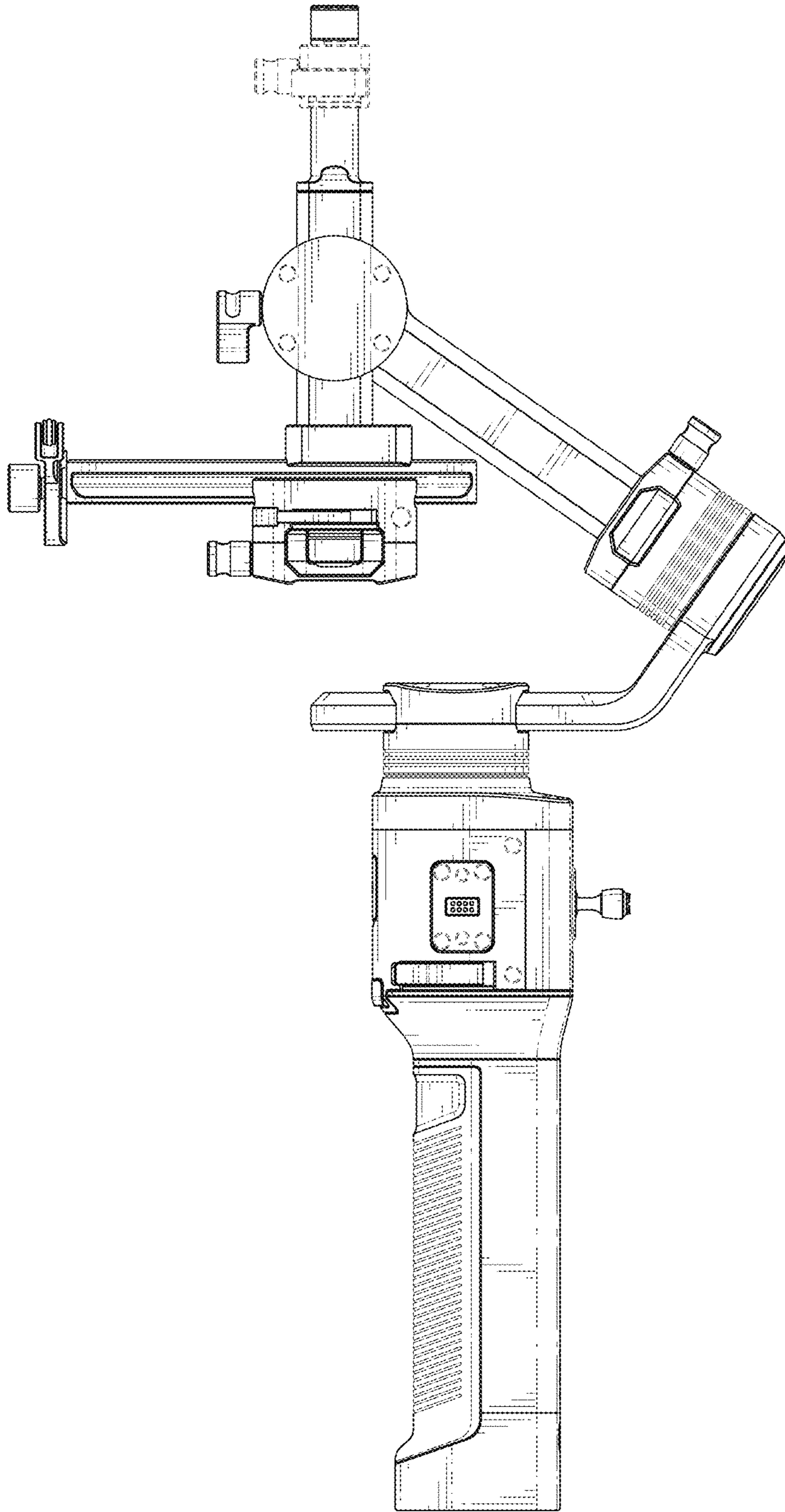


FIG. 5

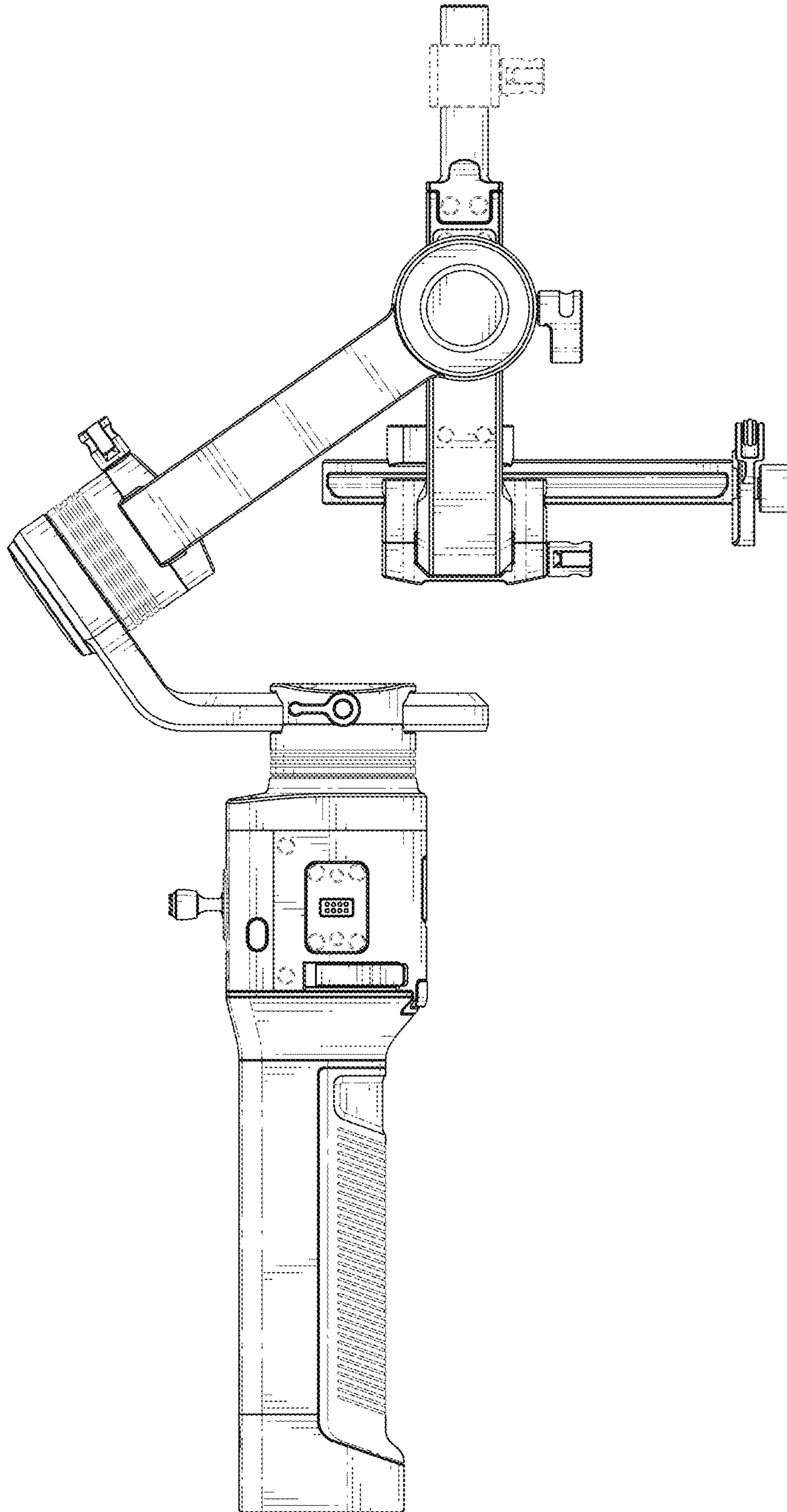


FIG. 6



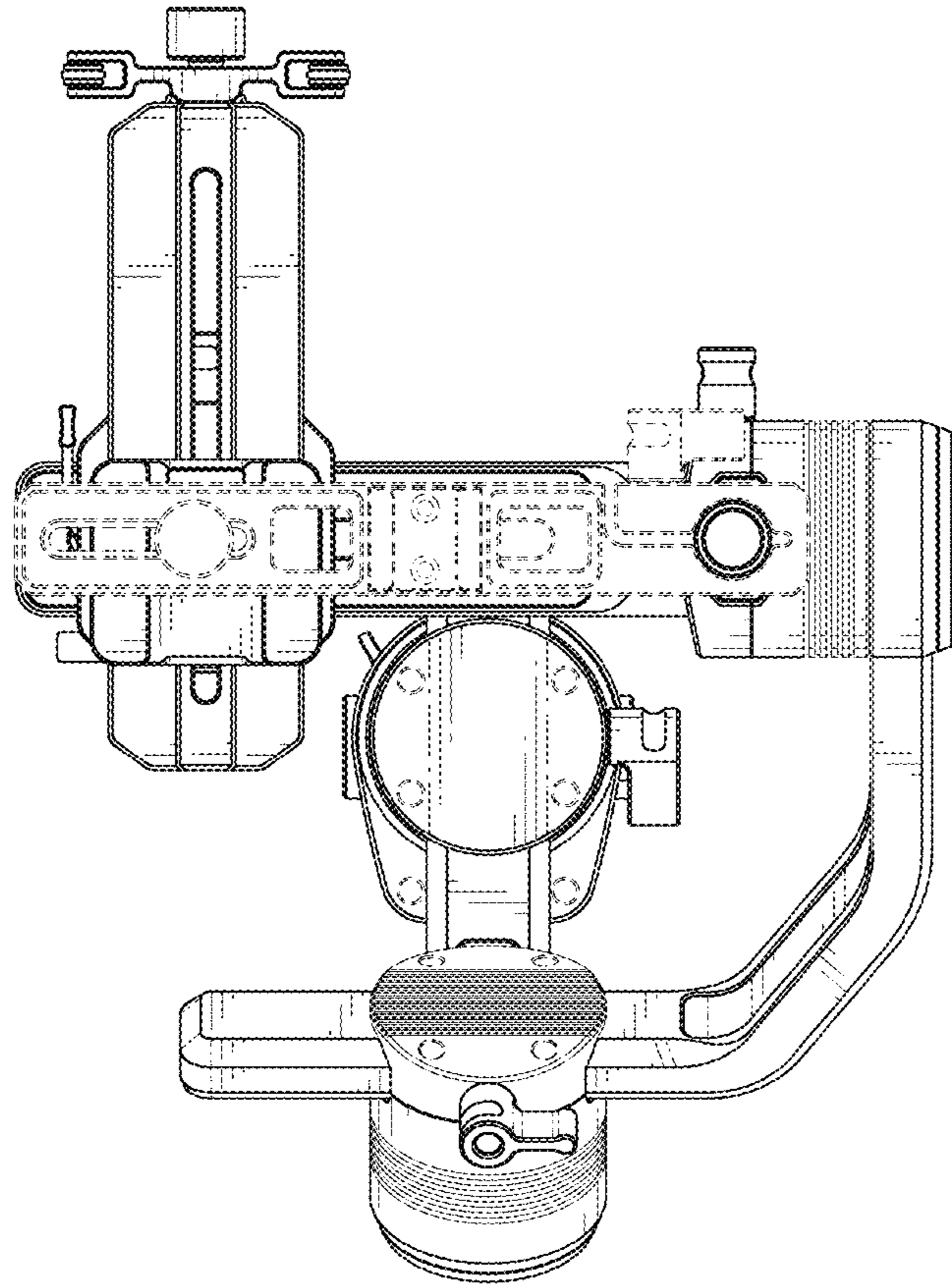


FIG. 7

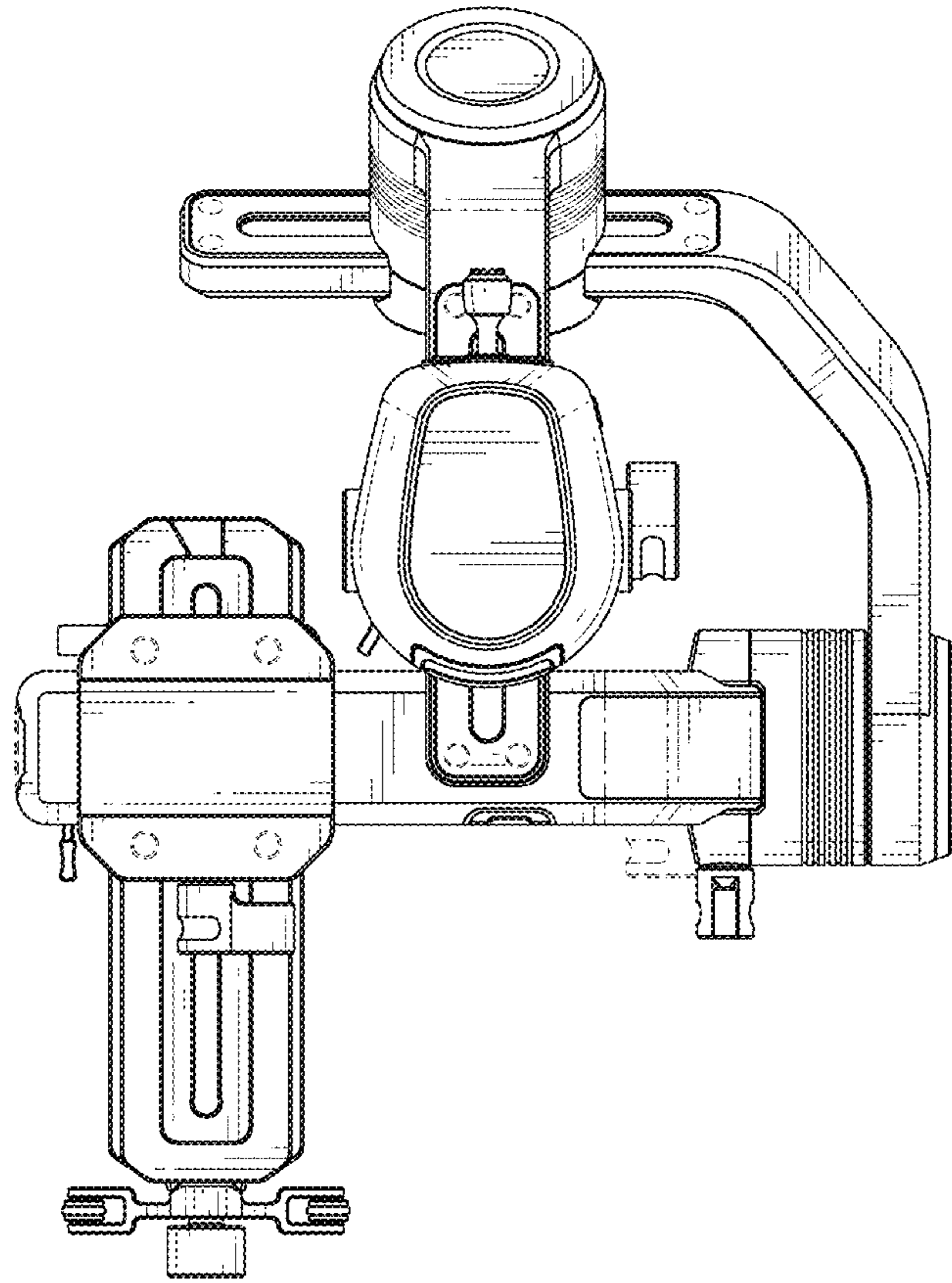


FIG. 8