



US00D857781S

(12) **United States Design Patent** (10) **Patent No.:** **US D857,781 S**
Wang (45) **Date of Patent:** **** Aug. 27, 2019**

(54) **PROJECTOR**
(71) Applicant: **SHENZHEN WANBO TECHNOLOGY CO., LTD**, Shenzhen (CN)
(72) Inventor: **Huanlong Wang**, Nanjing (CN)
(73) Assignee: **SHENZHEN WANBO TECHNOLOGY CO., LTD**, Shenzhen (CN)
(**) Term: **15 Years**
(21) Appl. No.: **29/646,360**
(22) Filed: **May 3, 2018**
(51) **LOC (12) Cl.** **16-02**
(52) **U.S. Cl.**
USPC **D16/231; D16/225**
(58) **Field of Classification Search**
USPC D16/203, 208, 221, 225, 229–231, 234; D21/514; 353/119, 122
CPC G03B 21/145; G03B 21/142; G03B 21/14; G03B 21/16; G03B 21/00; G03B 21/001; G03B 21/003
See application file for complete search history.

8,955,979 B2 * 2/2015 Velazquez G03B 21/14 313/500
9,405,176 B2 * 8/2016 Kinebuchi G03B 21/16
D777,822 S * 1/2017 Velazquez D16/234
9,667,924 B2 * 5/2017 Mukai G03B 21/145
2005/0041221 A1 * 2/2005 Buroni G03B 21/16 353/119
2018/0084921 A1 * 3/2018 Huang G03B 21/145

FOREIGN PATENT DOCUMENTS

CN 301484065 * 9/2010
CN 304665396 * 12/2017
CN 304763291 * 1/2018
CN 304817279 * 3/2018

* cited by examiner

Primary Examiner — Wan Laymon

(74) *Attorney, Agent, or Firm* — JiangIP LLC; Yanling Jiang

(57) **CLAIM**

The ornamental design for a projector, as shown and described.

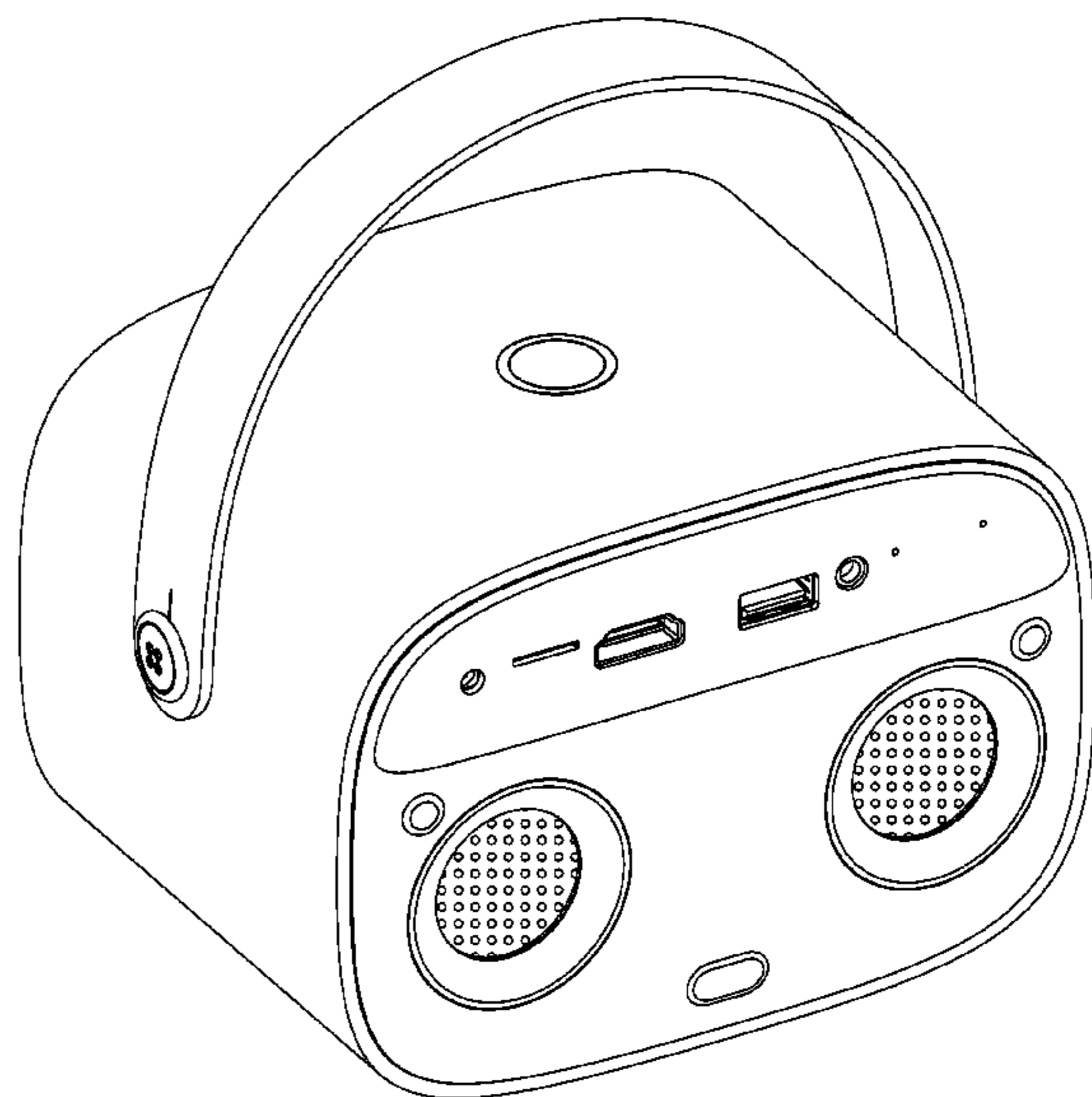
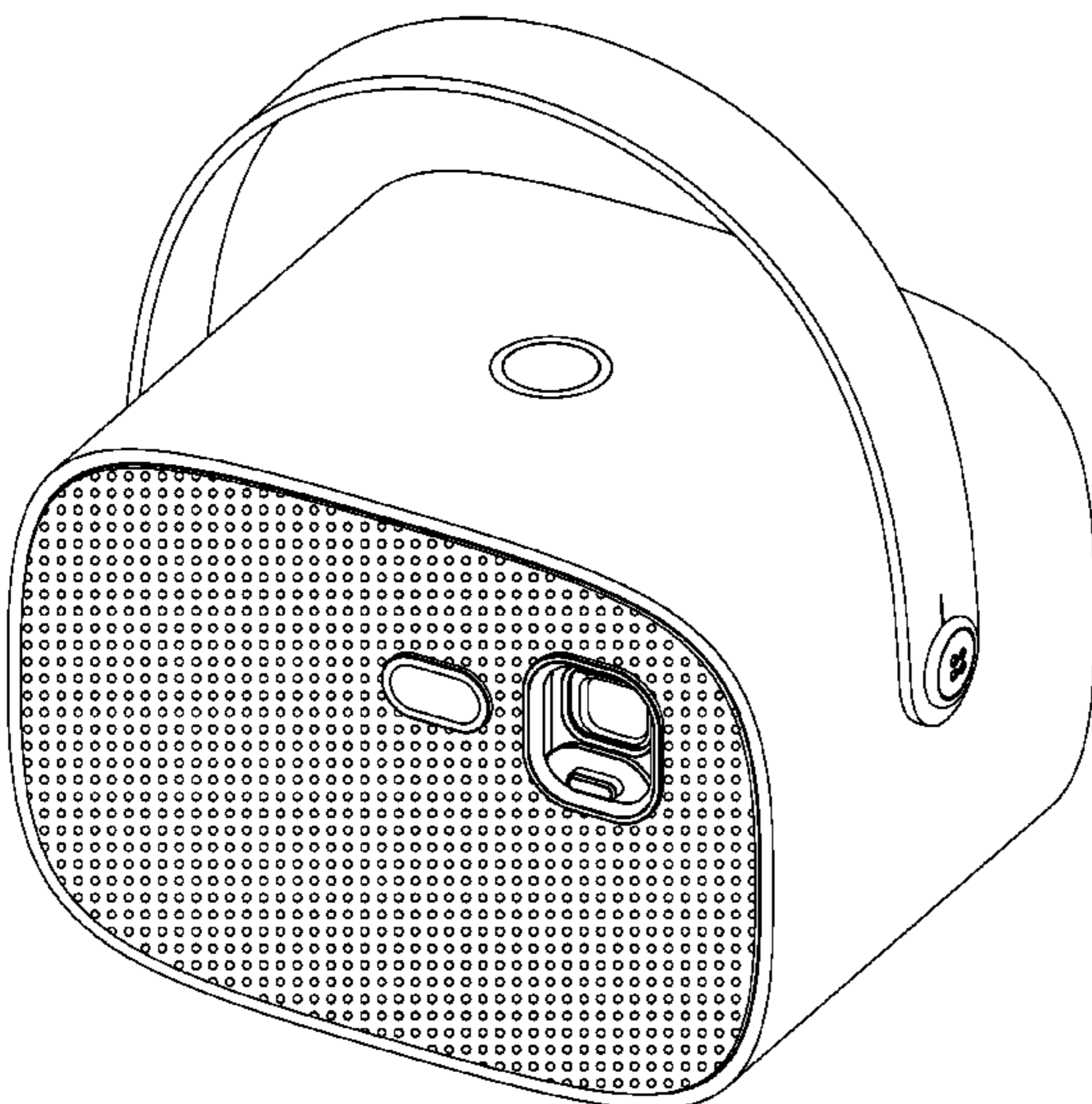
DESCRIPTION

FIG. 1 is a top front right side perspective view of a projector, showing my new design;
FIG. 2 is a front rear left side perspective view thereof;
FIG. 3 is a front elevation view thereof;
FIG. 4 is a rear elevation view thereof;
FIG. 5 is a top plan view thereof;
FIG. 6 is a bottom plan view thereof;
FIG. 7 is a left side view thereof; and,
FIG. 8 is a right side view thereof.

1 Claim, 8 Drawing Sheets

(56) **References Cited**
U.S. PATENT DOCUMENTS

D185,994 S * 8/1959 Lanigan D16/234
D204,032 S * 3/1966 Herbst D16/234
D605,682 S * 12/2009 Messner D16/225
D616,911 S * 6/2010 Tompkin D16/225
D635,175 S * 3/2011 Tompkin D16/230
8,061,858 B2 * 11/2011 Belliveau G03B 21/145 348/789



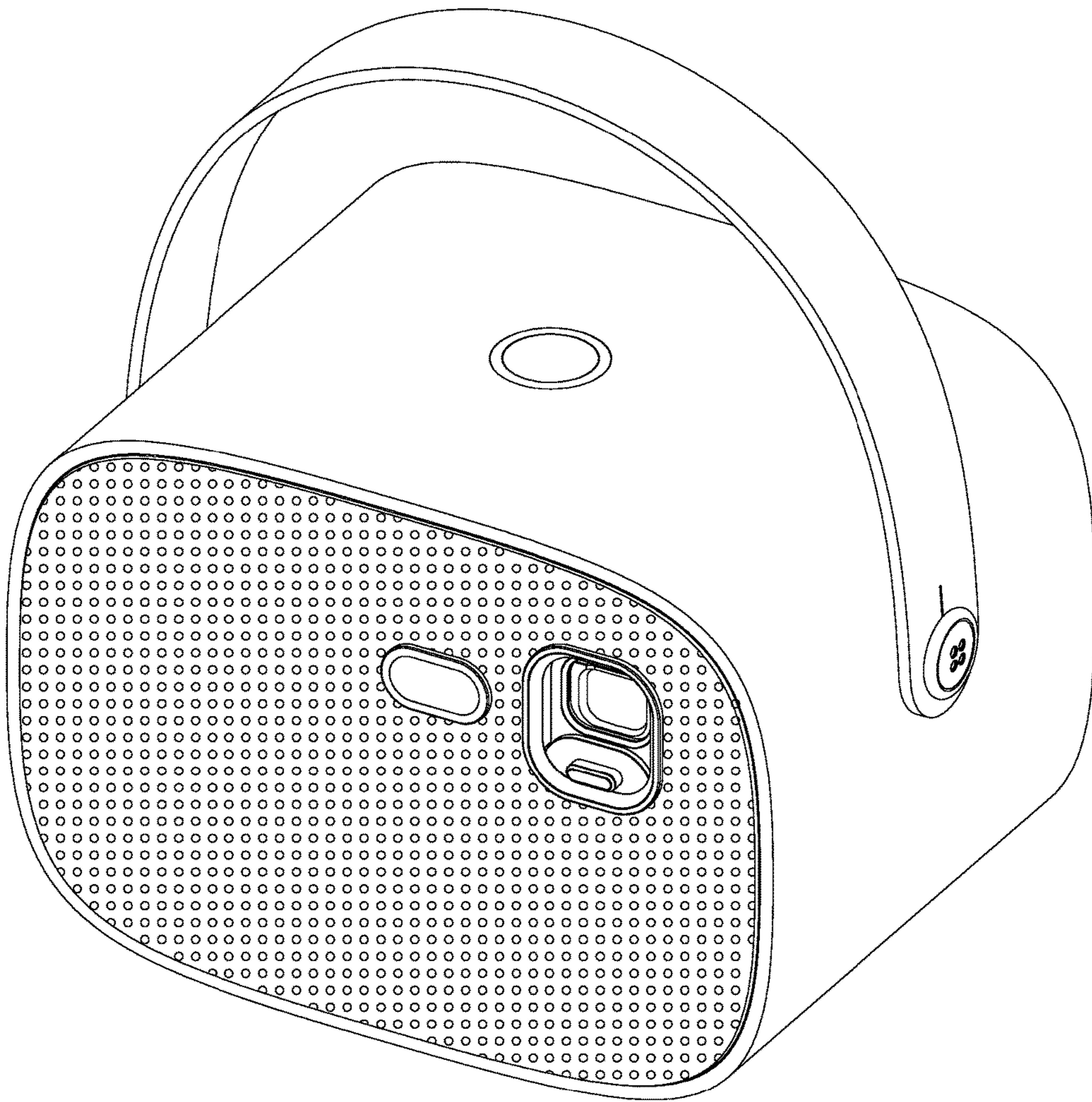


Fig. 1

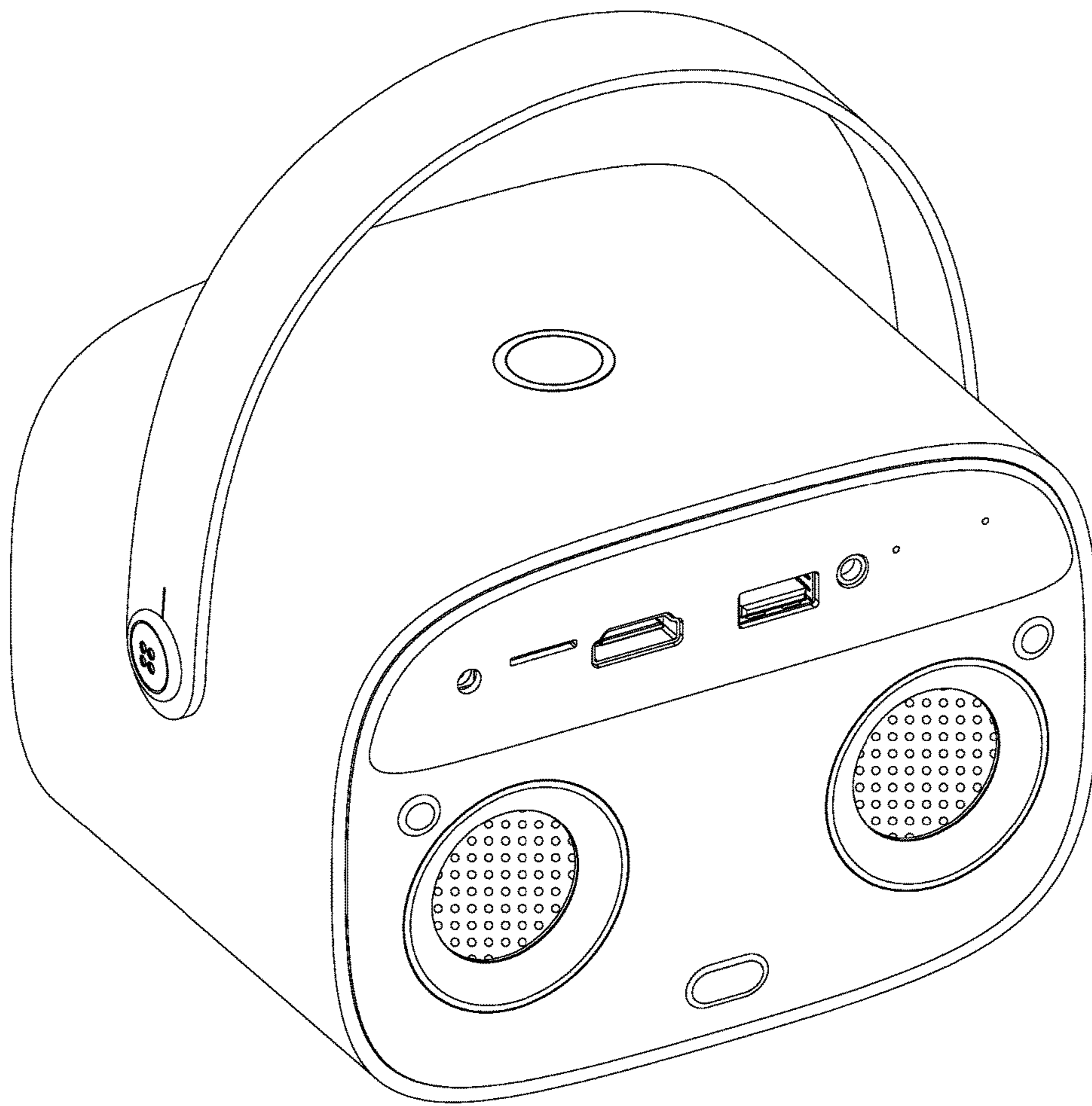


Fig. 2

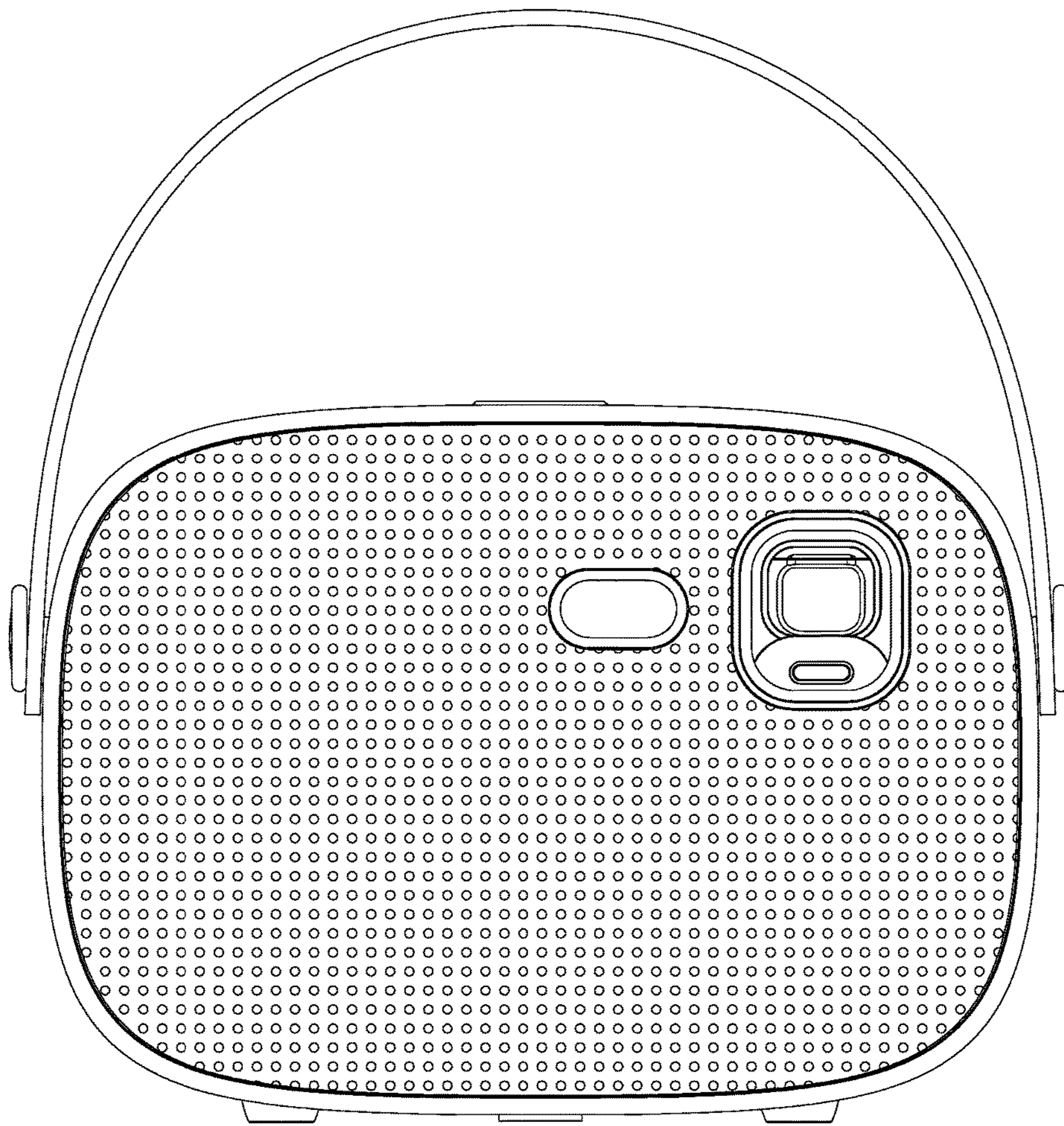


Fig. 3

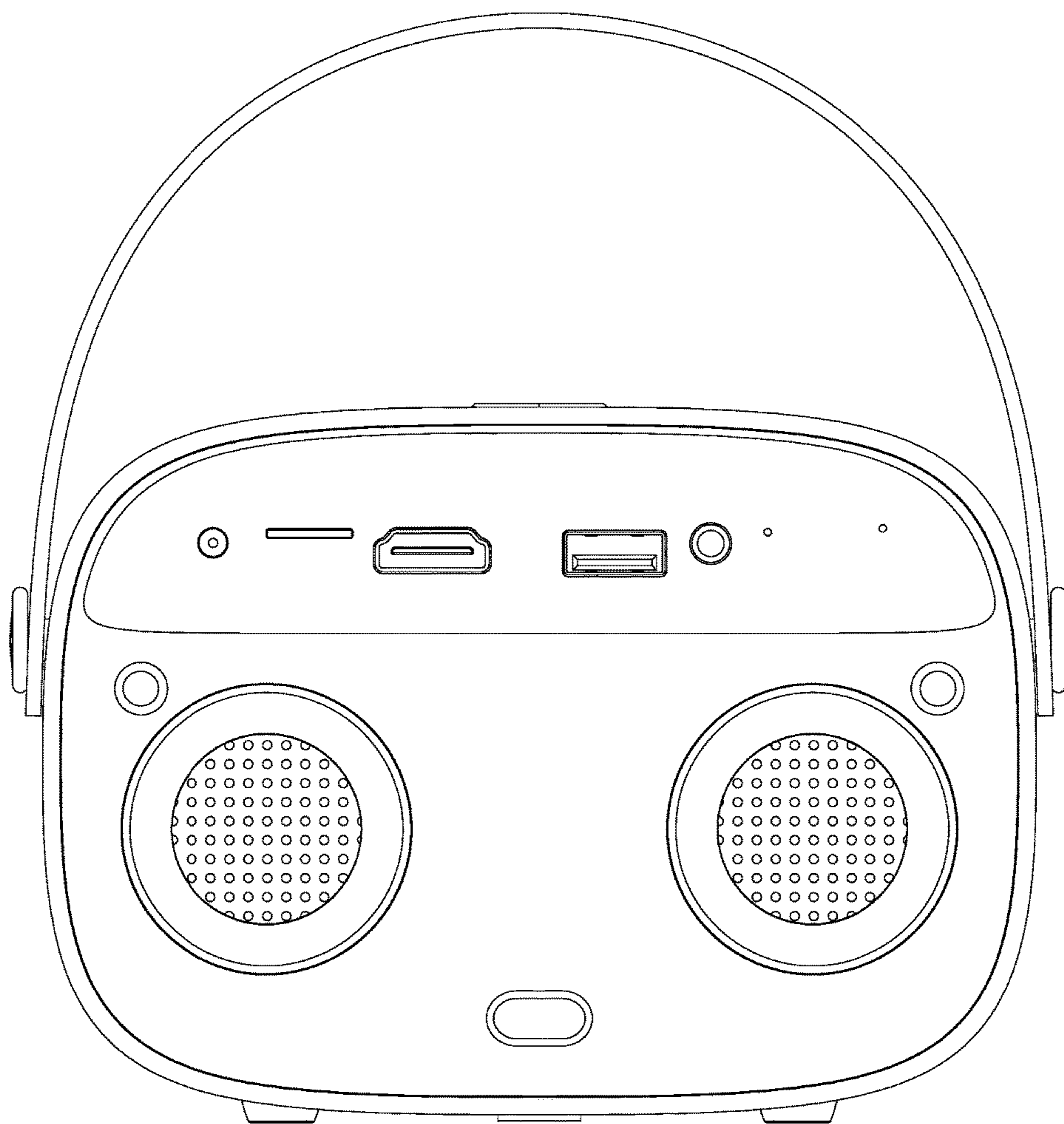


Fig. 4

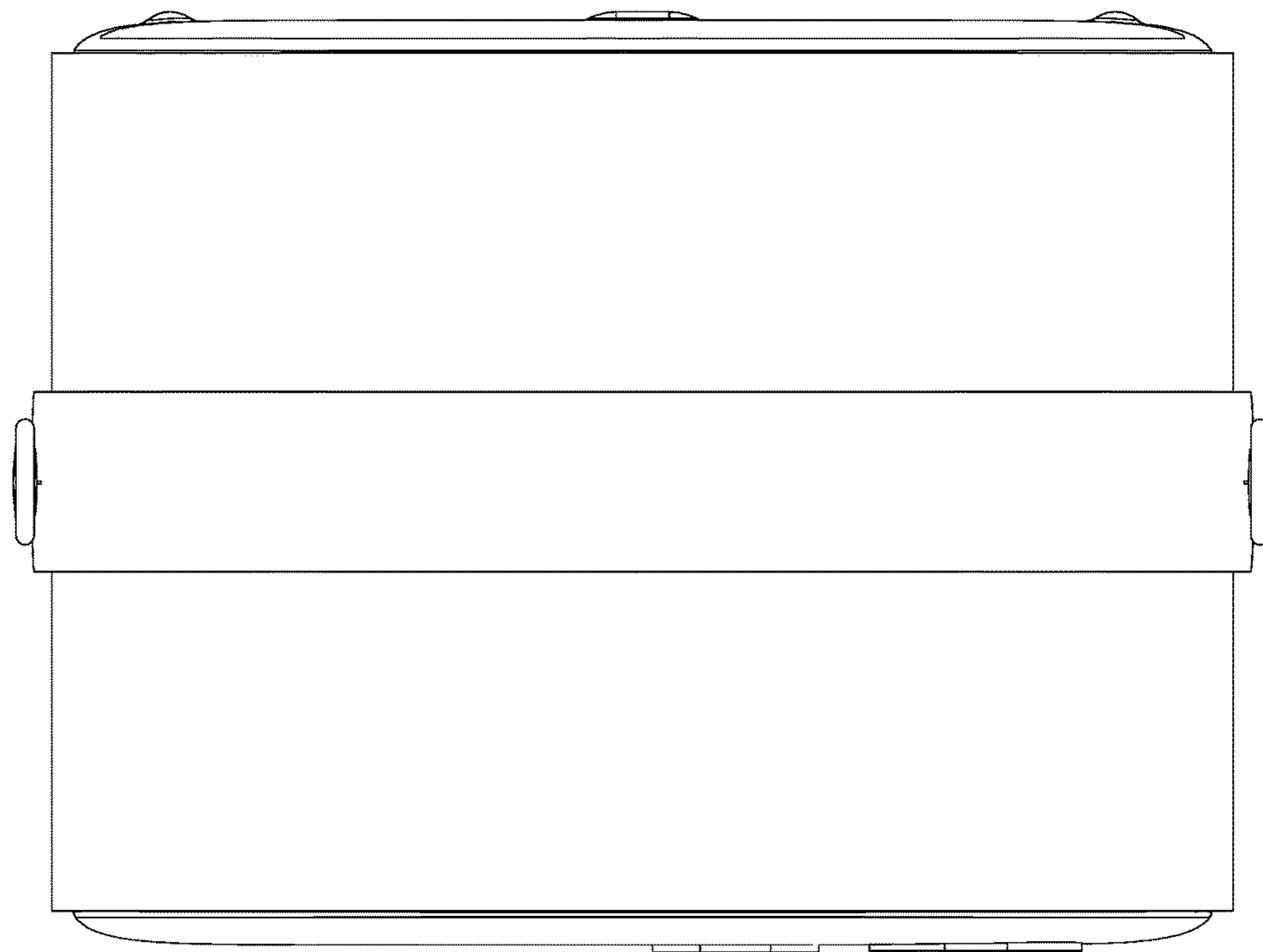


Fig. 5

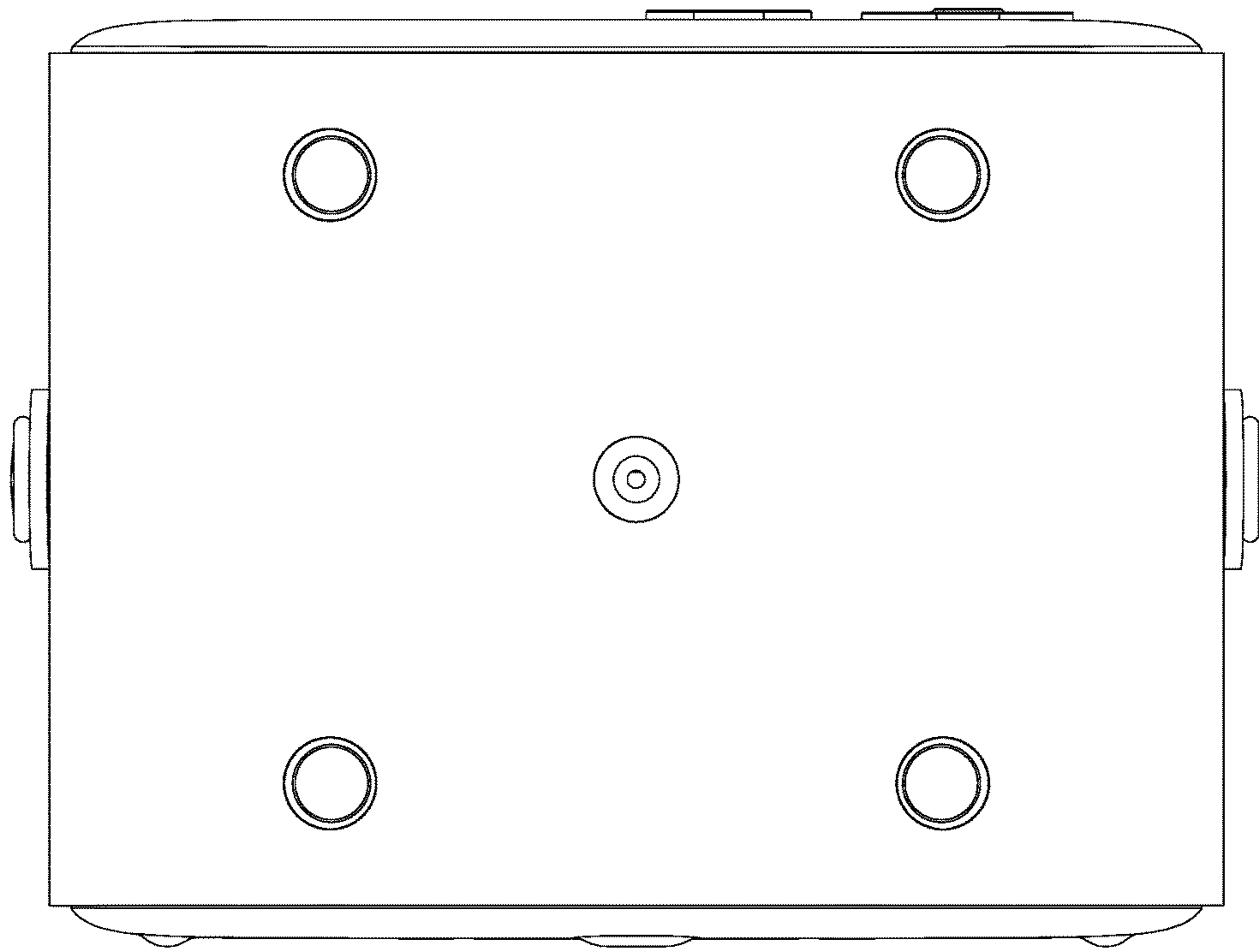


Fig. 6

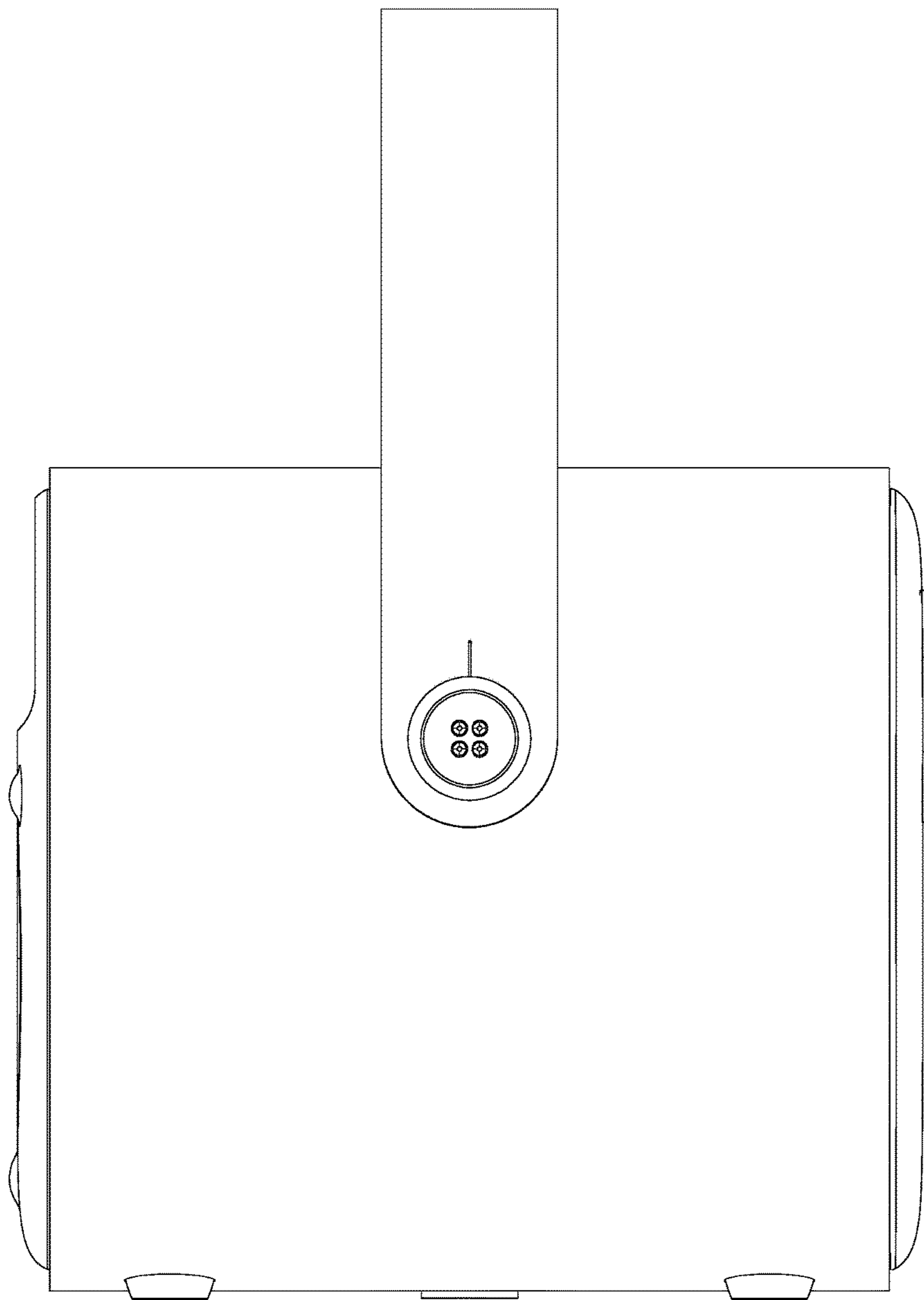


Fig. 7

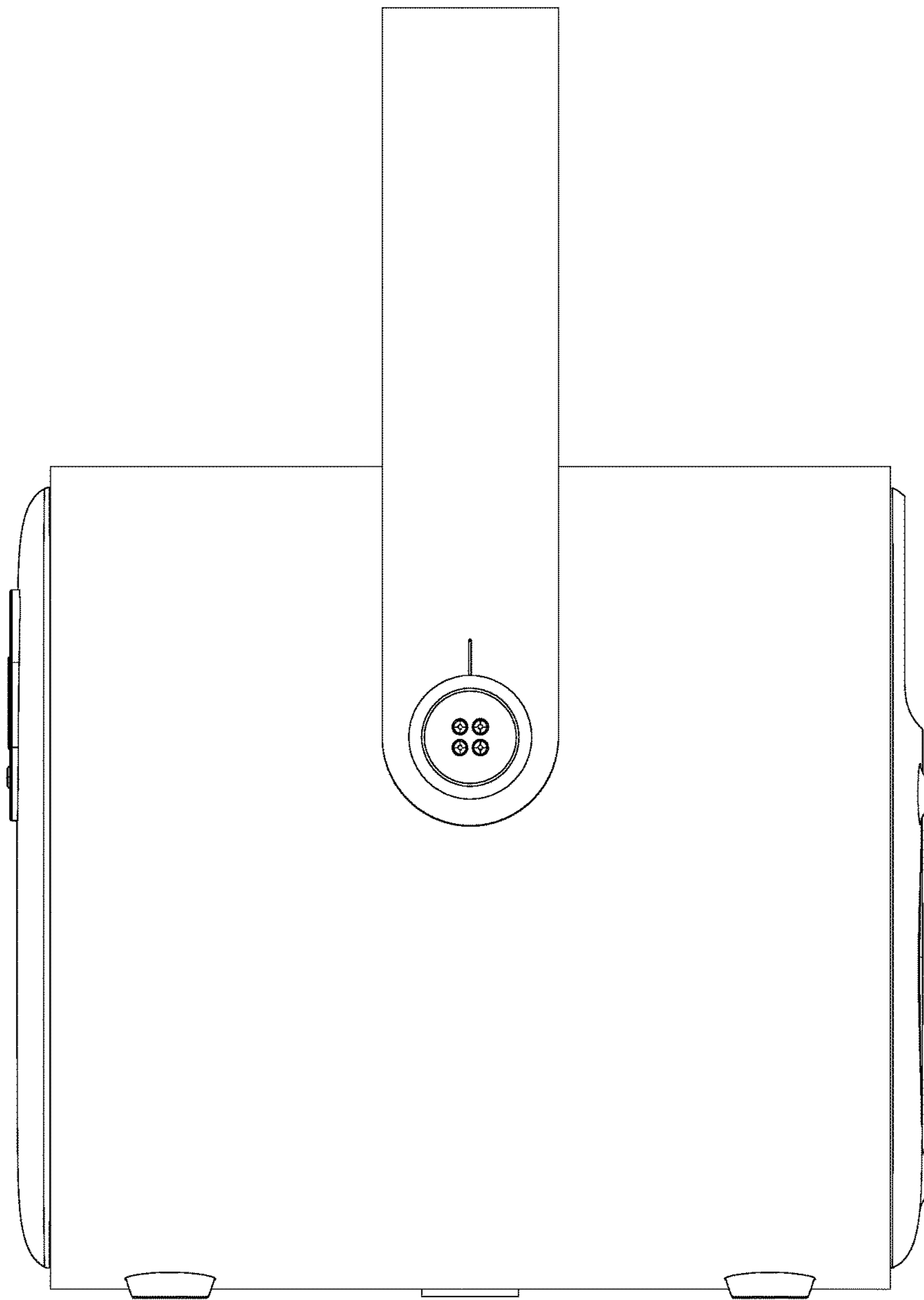


Fig. 8