



US00D857779S

(12) **United States Design Patent** (10) **Patent No.:** **US D857,779 S**
Aromaa (45) **Date of Patent:** **** Aug. 27, 2019**

(54) **CAMERA LENS**

(56) **References Cited**

(71) Applicant: **WHITEPOINT OPTICS OY**, Helsinki (FI)

U.S. PATENT DOCUMENTS

(72) Inventor: **Arni Aromaa**, Helsinki (FI)

D337,777 S	*	7/1993	Takahashi	D16/134
D356,805 S	*	3/1995	Takahashi	D16/134
D439,918 S	*	4/2001	Yamaguchi	D16/134
D573,167 S	*	7/2008	Kitera	D16/134
D717,356 S	*	11/2014	Nikaido	D16/134
D721,117 S	*	1/2015	Hasuda	D16/219
D737,360 S	*	8/2015	Jung	D16/219
D741,937 S	*	10/2015	Park	D16/219
D750,689 S	*	3/2016	Oh	D16/134
D754,237 S	*	4/2016	Oh	D16/219
D836,152 S	*	12/2018	Ikegame	D16/219

(**) Term: **15 Years**

(21) Appl. No.: **35/505,146**

(22) Filed: **May 7, 2018**

(80) **Hague Agreement Data**

Int. Filing Date: **May 7, 2018**

Int. Reg. No.: **DM/101505**

Int. Reg. Date: **May 7, 2018**

Int. Reg. Pub. Date: **Jun. 22, 2018**

* cited by examiner

Primary Examiner — Holly E Thurman

(30) **Foreign Application Priority Data**

Apr. 6, 2018 (EM) 005216058-0001

(51) **LOC (12) Cl.** **16-05**

(52) **U.S. Cl.**
USPC **D16/219**

(58) **Field of Classification Search**

USPC D16/134, 136, 200, 213, 218, 219, 220,
D16/242, 245

CPC G02B 7/00; G02B 7/026; G02B 23/16;
G03B 7/00; G03B 17/02

See application file for complete search history.

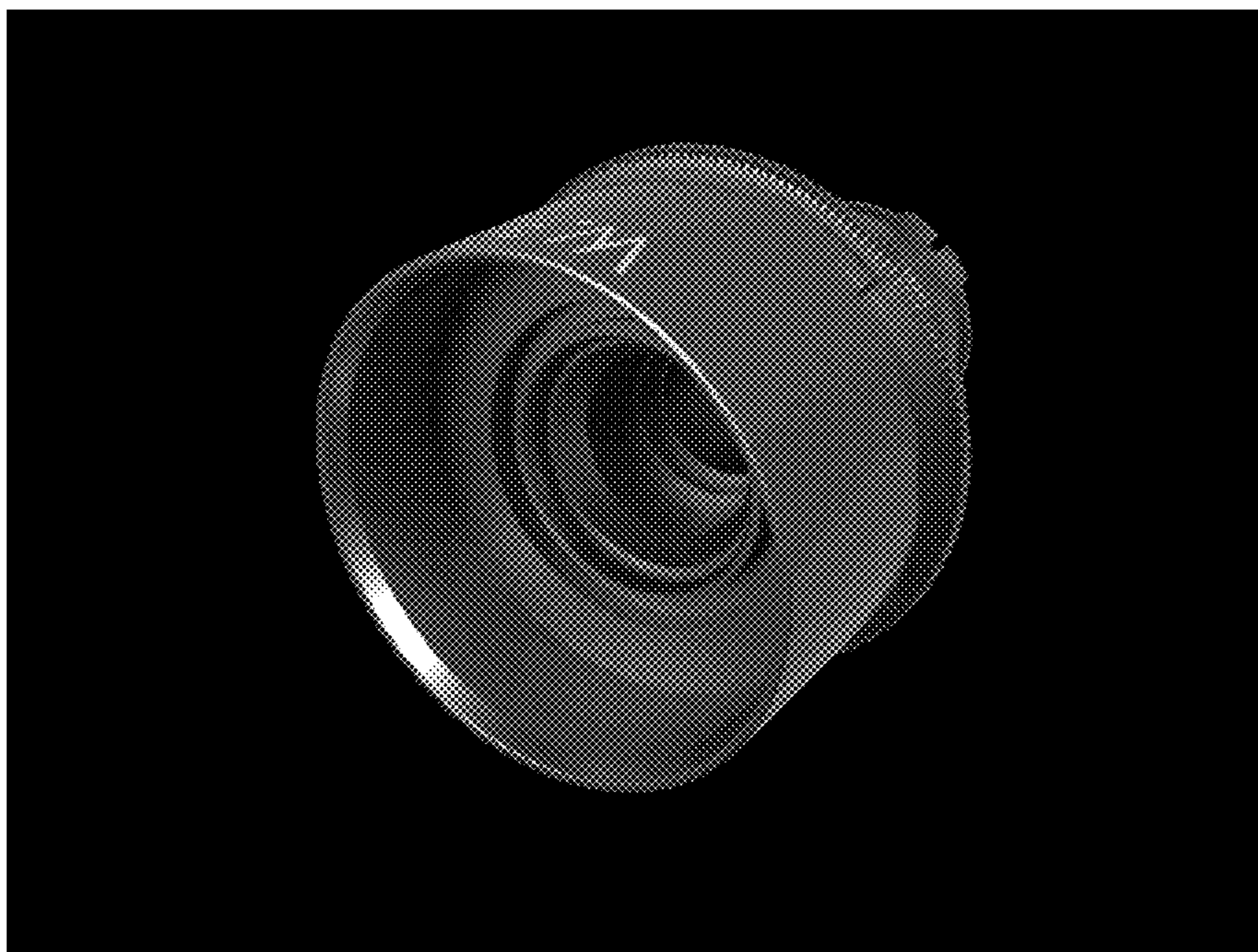
(57) **CLAIM**

The ornamental design for camera lenses, as shown and described.

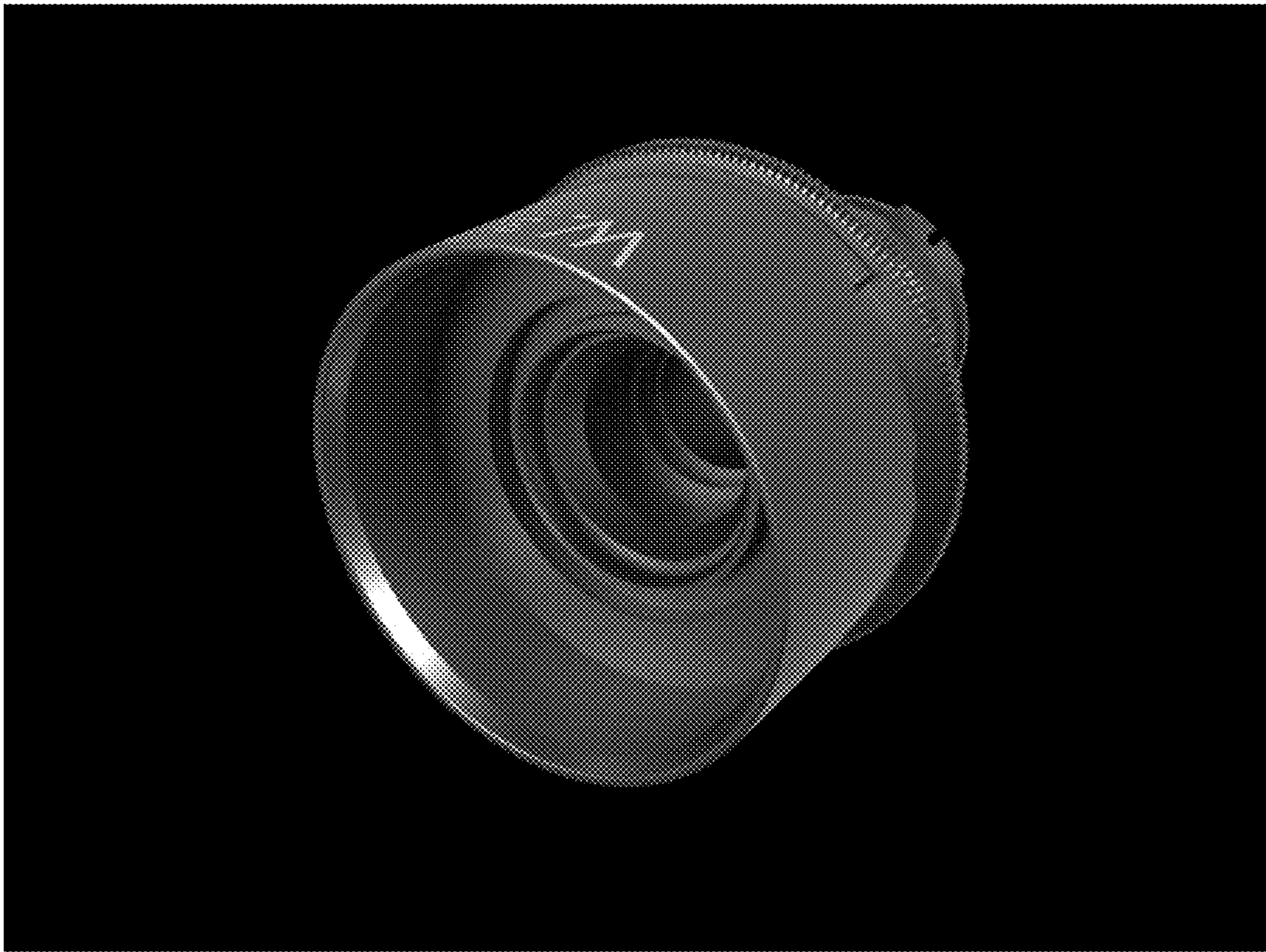
DESCRIPTION

- 1. Camera lens
- 1.1 : Perspective
- 1.2 : Right
- 1.3 : Left
- 1.4 : Front
- 1.5 : Back
- 1.6 : Bottom
- 1.7 : Top

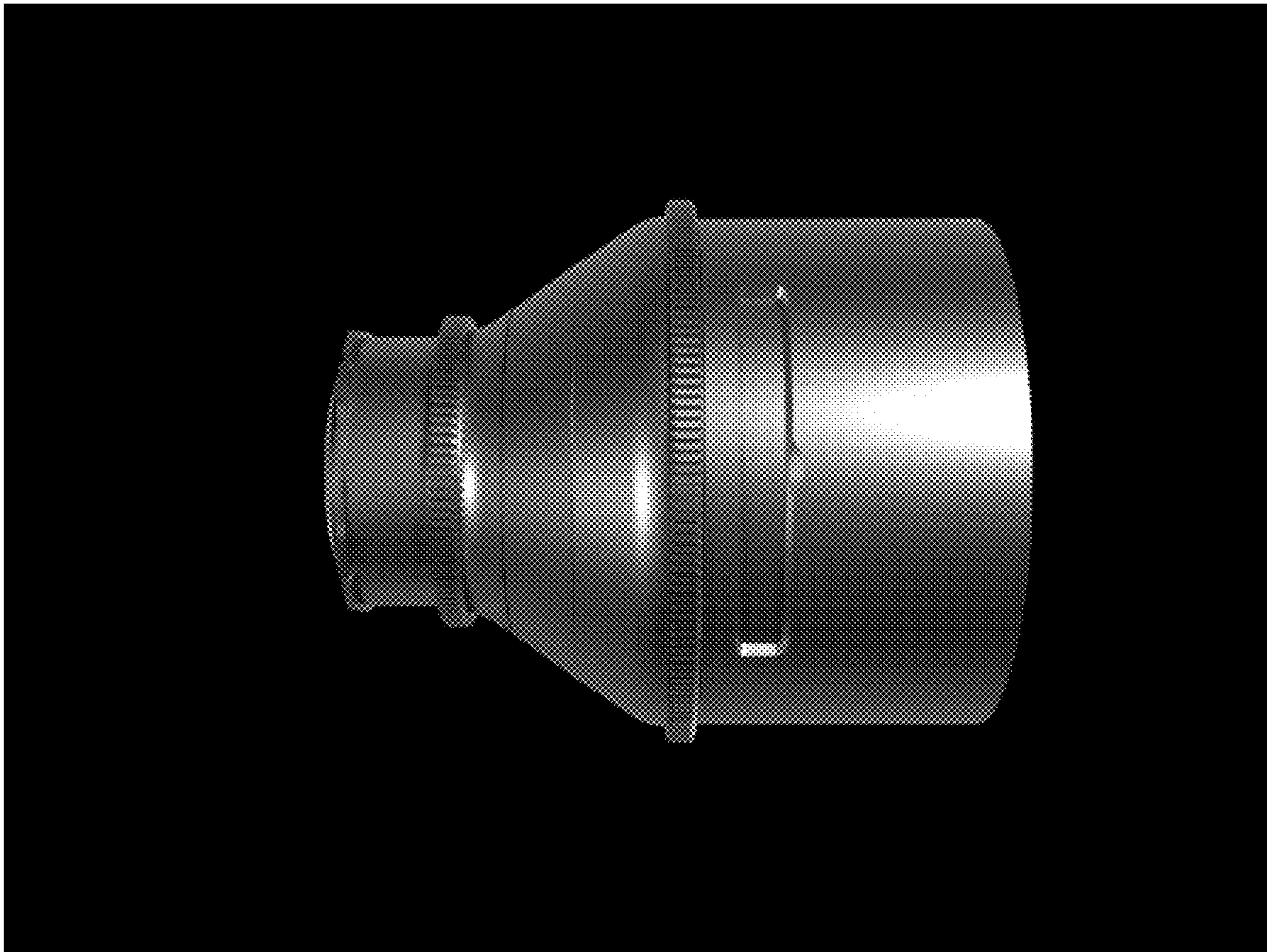
1 Claim, 7 Drawing Sheets



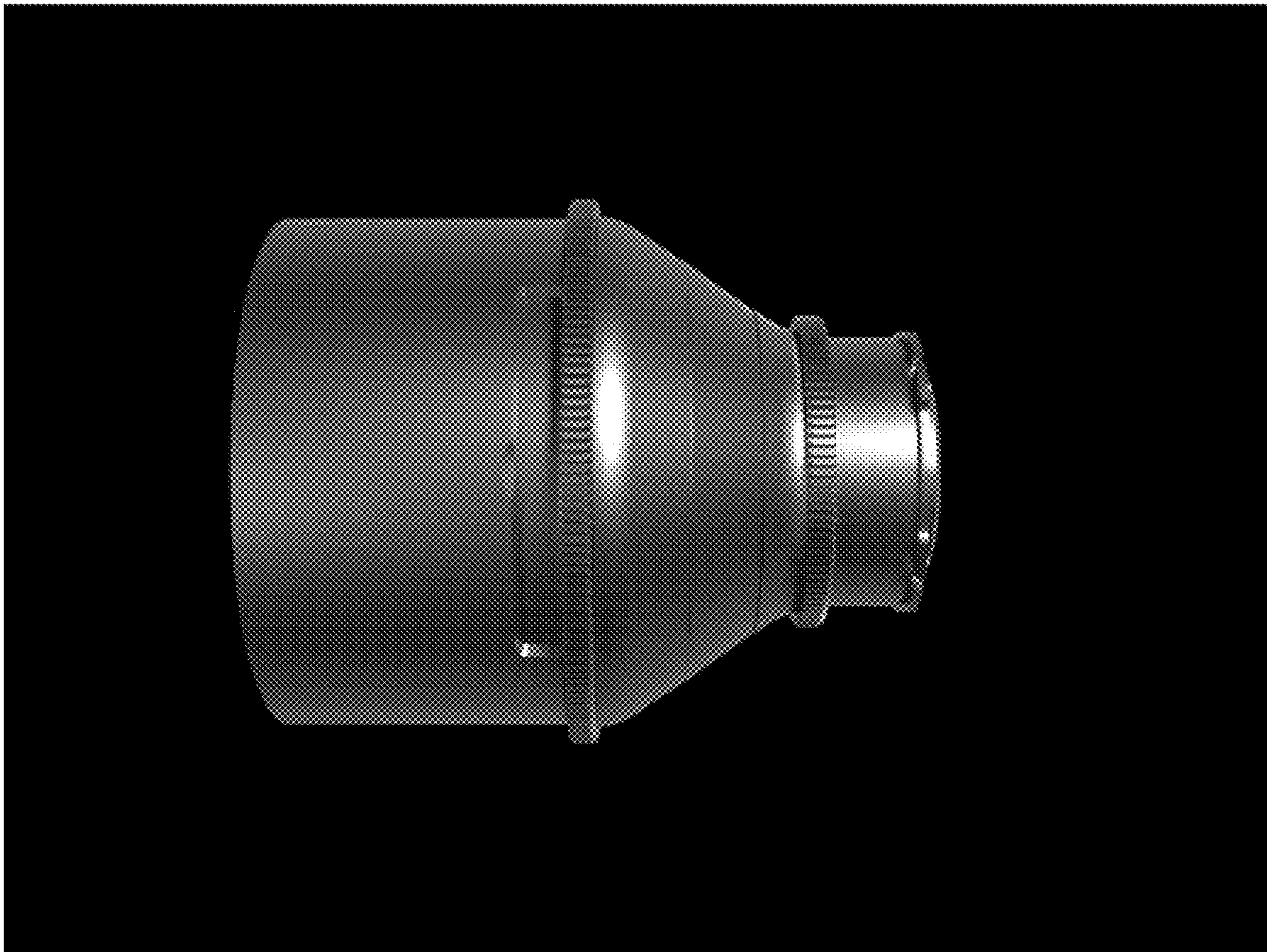
1.1



1.2



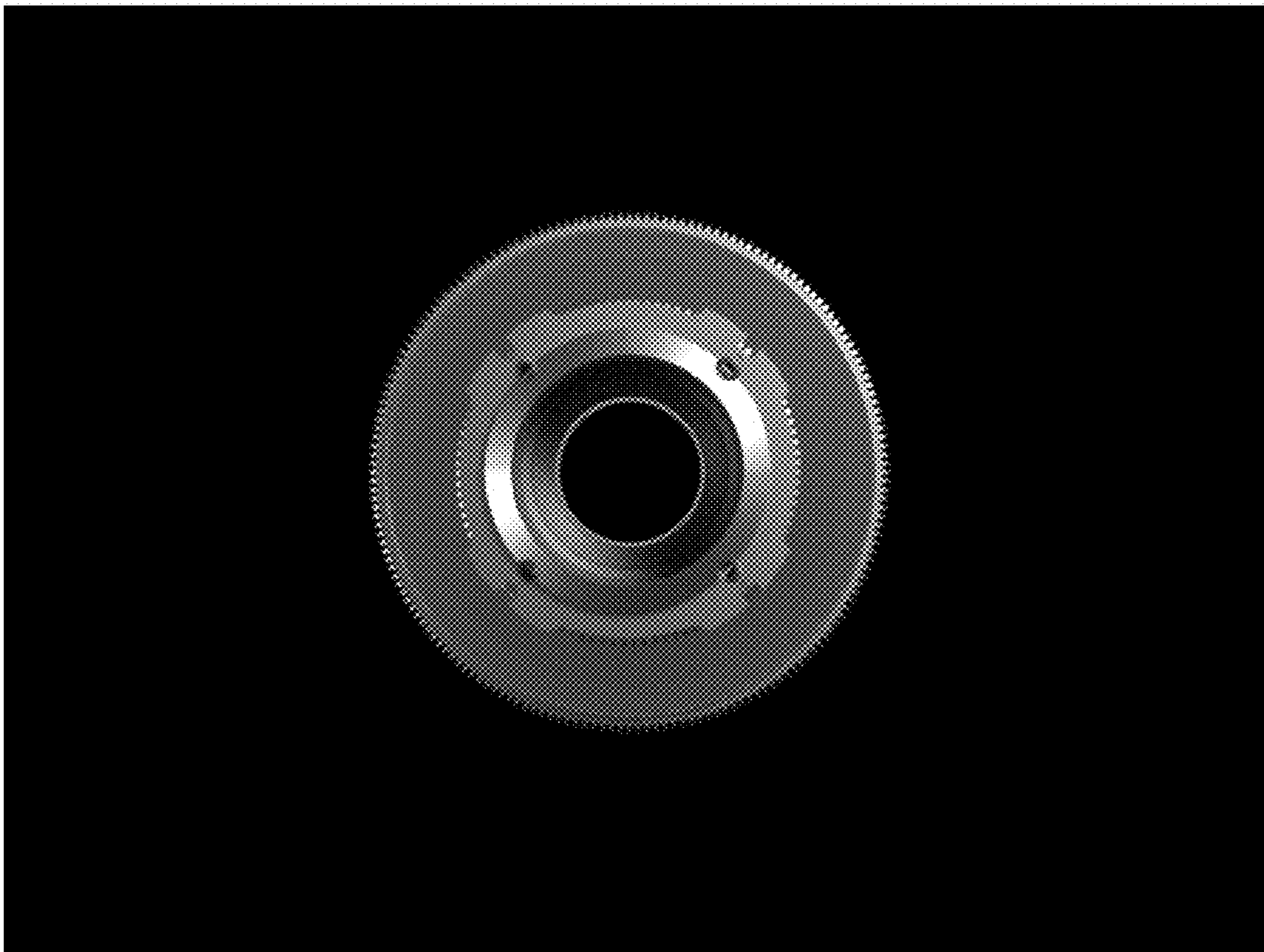
1.3



1.4



1.5



1.6



1.7

