



US00D85777S

(12) **United States Design Patent** (10) **Patent No.:** **US D857,777 S**
Rosenkvist et al. (45) **Date of Patent:** **** Aug. 27, 2019**

(54) **PART OF CAMERA**

(71) Applicant: **AXIS AB**, Lund (SE)

(72) Inventors: **Alexander Rosenkvist**, Lund (SE);
David Fagerkvist, Lund (SE); **Mariano Vozzi**, Lund (SE); **Mathias Walter**, Lund (SE)

(**) Term: **15 Years**

(21) Appl. No.: **35/505,165**

(22) Filed: **Dec. 21, 2017**

(80) **Hague Agreement Data**

Int. Filing Date: **Dec. 21, 2017**

Int. Reg. No.: **DM/099978**

Int. Reg. Date: **Dec. 21, 2017**

Int. Reg. Pub. Date: **Jun. 22, 2018**

(51) **LOC (12) Cl.** **16-01**

(52) **U.S. Cl.**
USPC **D16/203**

(58) **Field of Classification Search**
USPC D16/200, 202–206, 208, 218, 219, 242
CPC G03B 17/02; G03B 19/04; G03B 17/56;
G03B 17/04; G03B 17/03
See application file for complete search history.

(56) **References Cited**

U.S. PATENT DOCUMENTS

D562,870 S	*	2/2008	Komatsu	D16/203
D578,560 S	*	10/2008	Hsia	D16/203
D589,995 S	*	4/2009	Kellar	D16/203
D609,732 S	*	2/2010	Frank	D16/203
D634,345 S	*	3/2011	Kim	D16/203
D634,346 S	*	3/2011	Park	D16/203
D634,347 S	*	3/2011	Park	D16/203
D691,187 S	*	10/2013	Seo	D16/203
D693,868 S	*	11/2013	Ying	D16/203
D702,274 S	*	4/2014	Qian	D16/203

D708,654 S	*	7/2014	Tani	D16/203
D723,395 S	*	3/2015	Dispenza	D10/53
D723,603 S	*	3/2015	Hess, Jr.	D16/203
D731,574 S	*	6/2015	Hallstrom	D16/203
D737,698 S	*	9/2015	Dispenza	D10/53
D741,932 S	*	10/2015	Huang	D16/202
D746,350 S	*	12/2015	Li	D16/203
D753,205 S	*	4/2016	Stark	D16/203
D796,567 S	*	9/2017	Bingleman	D16/203
D803,840 S	*	11/2017	Burmester	D14/447
D804,561 S	*	12/2017	Luo	D16/202
D810,170 S	*	2/2018	Geng	D16/203
D811,462 S	*	2/2018	Axelsson	D16/203
D816,143 S	*	4/2018	Ahman	D16/203
D823,369 S	*	7/2018	Wang	D16/203

(Continued)

FOREIGN PATENT DOCUMENTS

EM	001323653-0001 S	5/2012
EM	001323653-0002 S	5/2012

(Continued)

Primary Examiner — Holly E Thurman

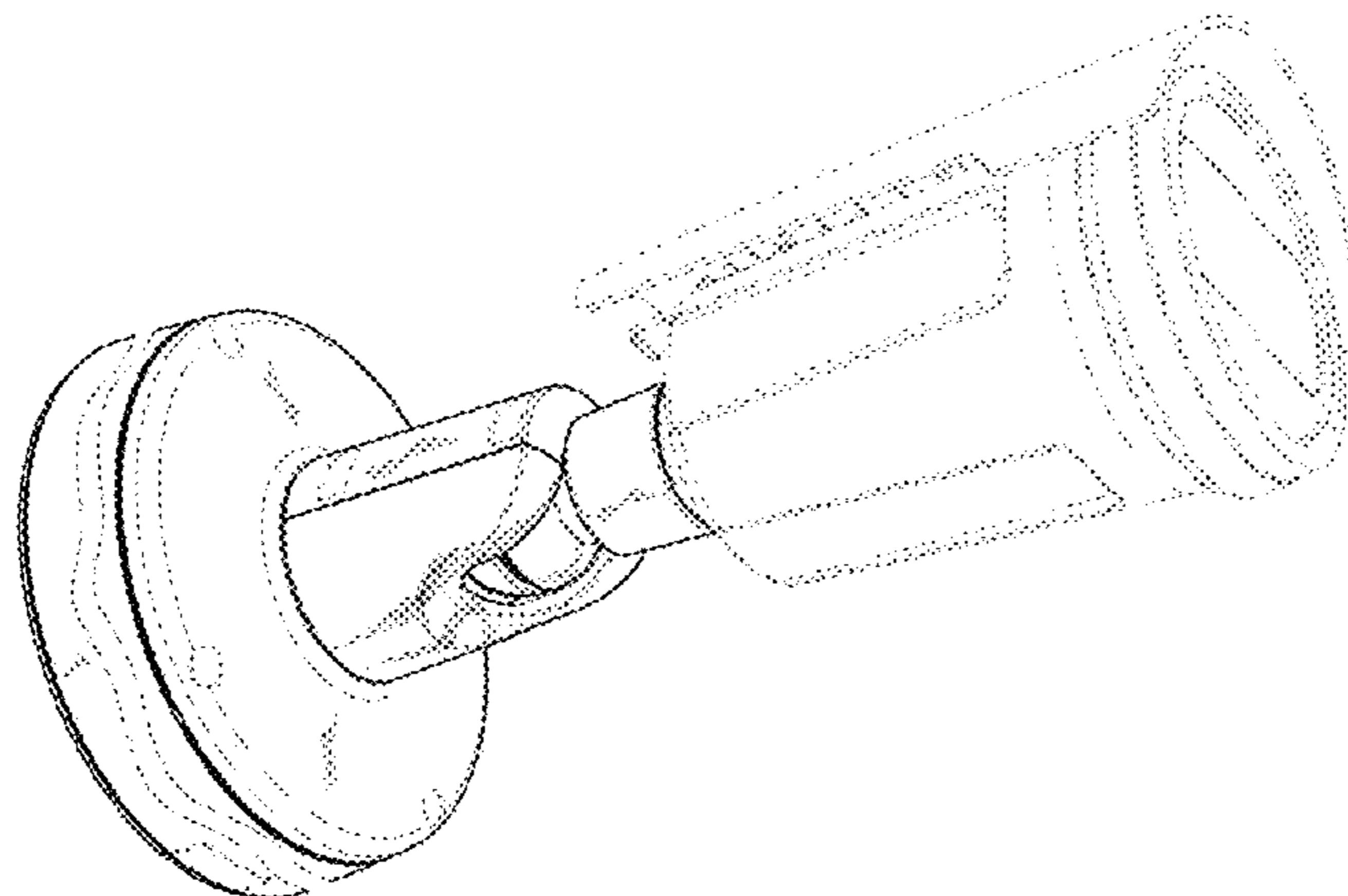
(57) **CLAIM**

The ornamental design for a part of camera, as shown and described.

DESCRIPTION

FIG. 1.1 is a perspective view of a part of a camera showing our new design;
 FIG. 1.2 is a front view thereof;
 FIG. 1.3 is a rear view thereof;
 FIG. 1.4 is a top plan view thereof;
 FIG. 1.5 is a right side view thereof, the left side view being a mirror image thereof;
 FIG. 1.6 is another right side view with the top portion rotated forward at a 45 degree angle; and
 FIG. 1.7 is another right side view with the top portion rotated forward at a 90 degree angle.
 The broken lines depict portions of the part of camera that form NO part of the claimed design.

1 Claim, 7 Drawing Sheets



(56)

References Cited

U.S. PATENT DOCUMENTS

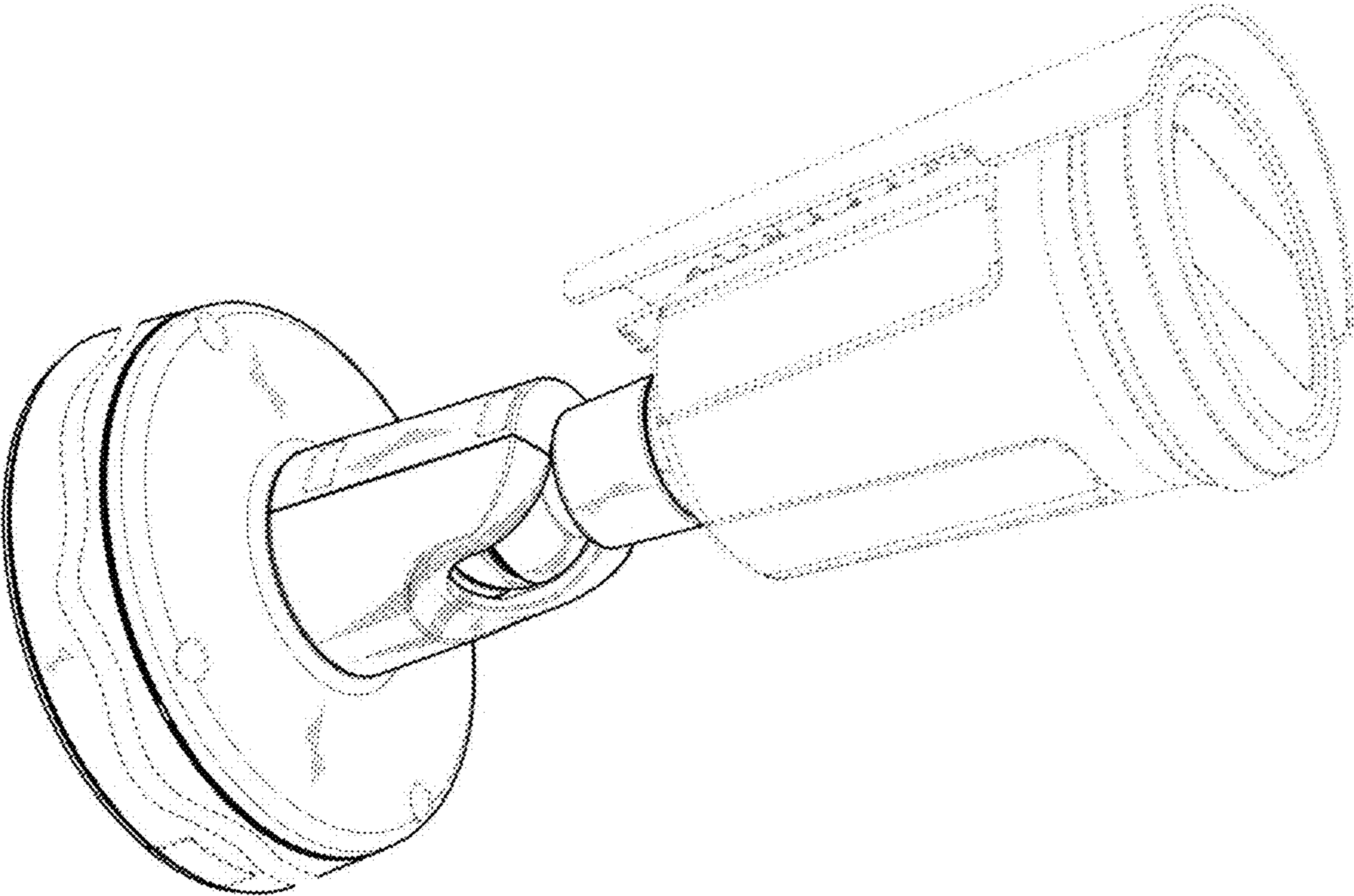
D825,640 S * 8/2018 Andersson D16/203
D827,691 S * 9/2018 Zhong D16/203
D828,426 S * 9/2018 Li D16/202
D829,802 S * 10/2018 Park D16/203
D837,863 S * 1/2019 Persson D16/203
D838,760 S * 1/2019 Ahman D16/203
2015/0358511 A1 * 12/2015 Jung H04N 5/2252
348/143
2017/0171436 A1 * 6/2017 Fagerkvist F16C 11/06
2017/0337789 A1 * 11/2017 Rosenkvist G03B 17/561

FOREIGN PATENT DOCUMENTS

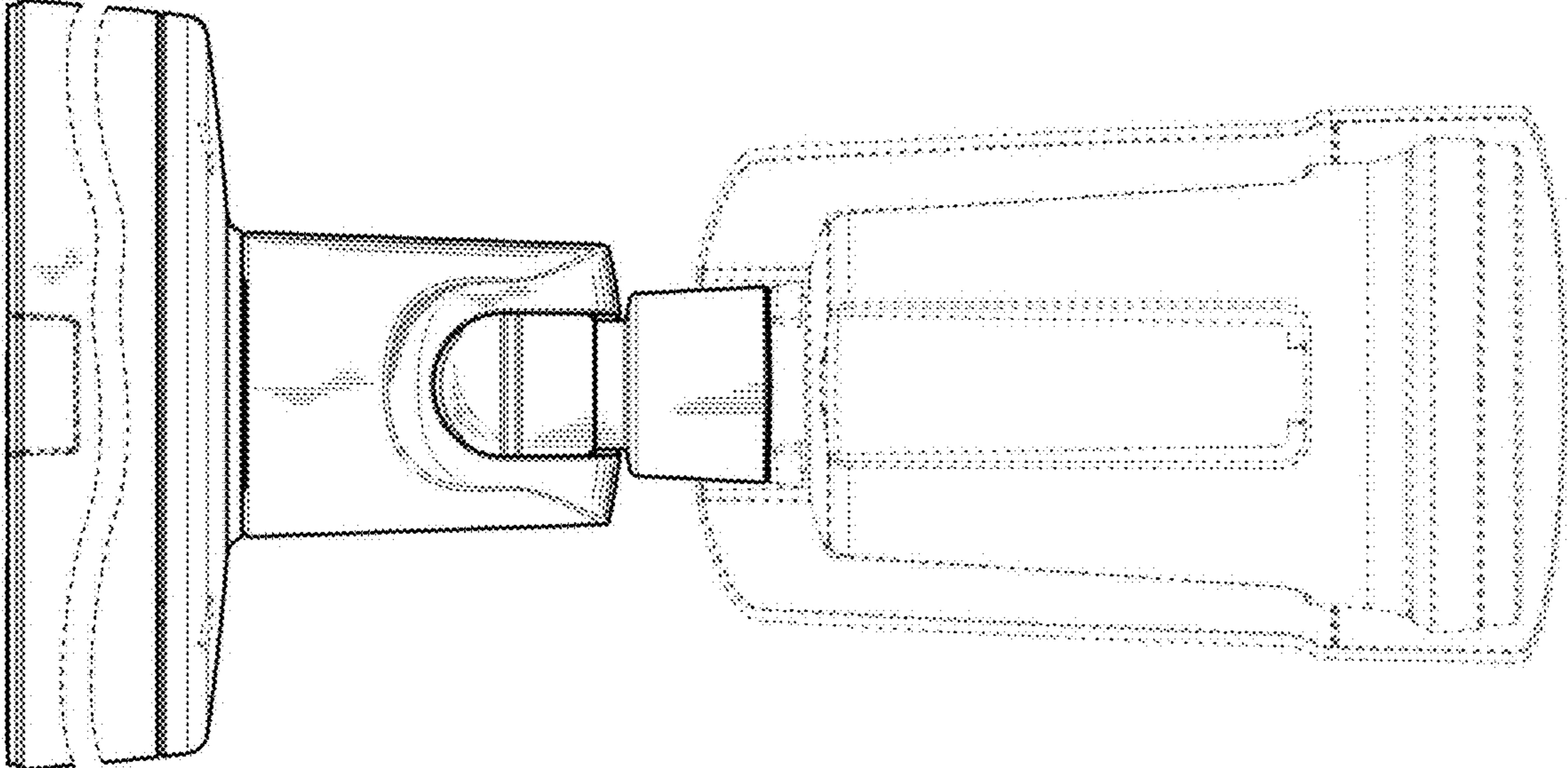
EM 001323653-0003 S 5/2012
EM 001323653-0004 S 5/2012
EM 003110238-0001 S 11/2016
EM 003110238-0002 S 11/2016
EM 003110238-0003 S 11/2016

* cited by examiner

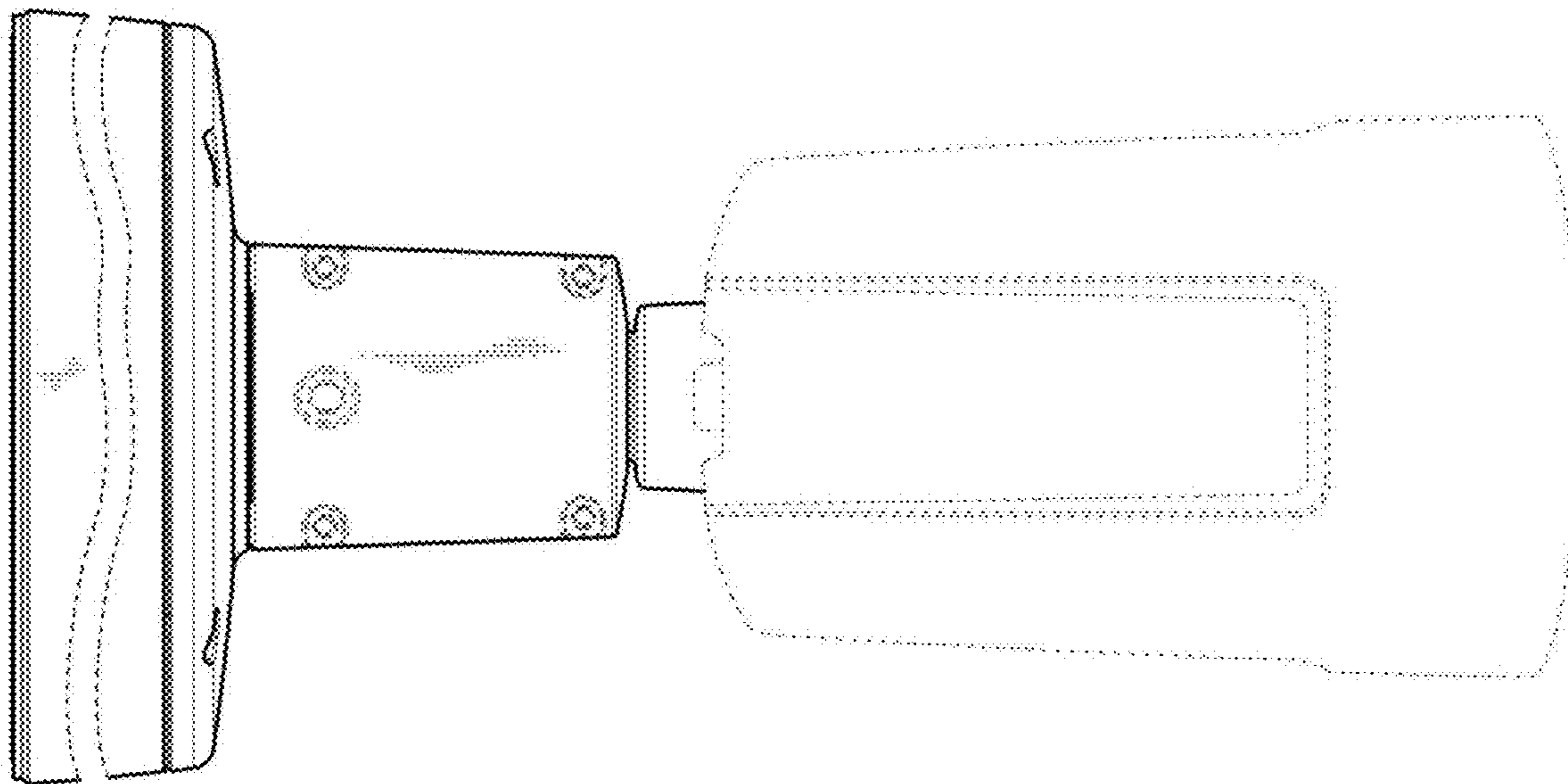
1.1



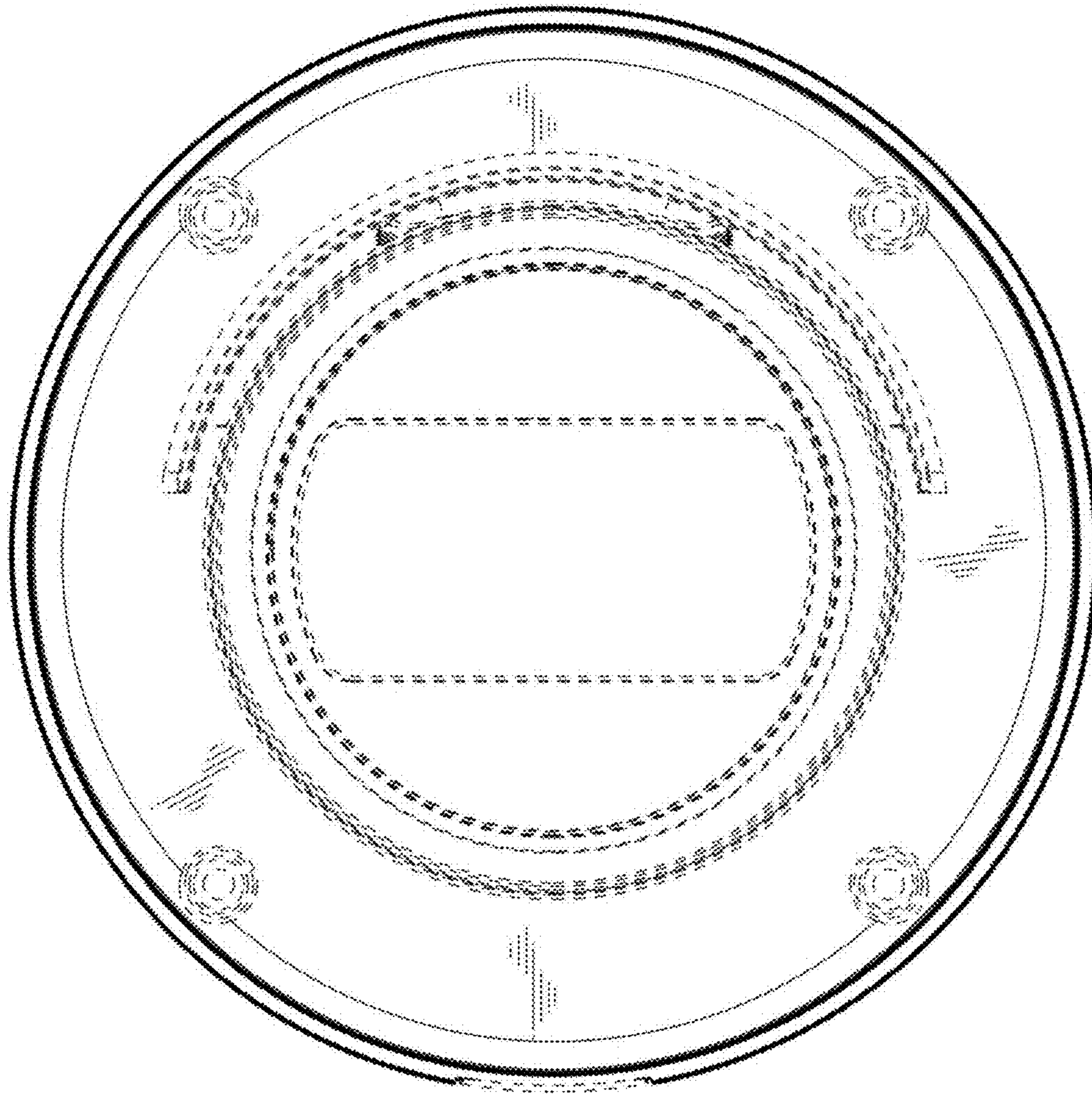
1.2



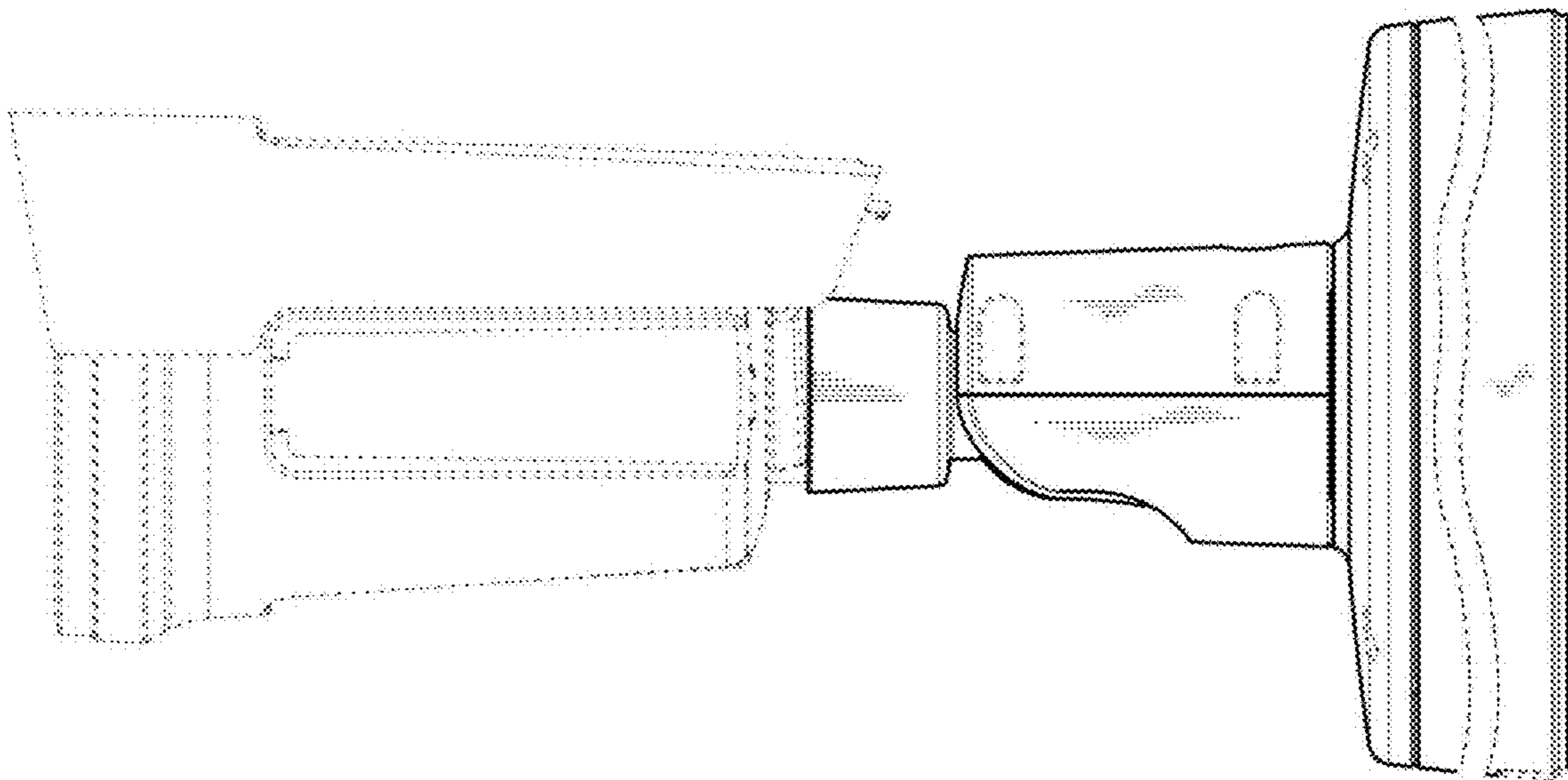
1.3



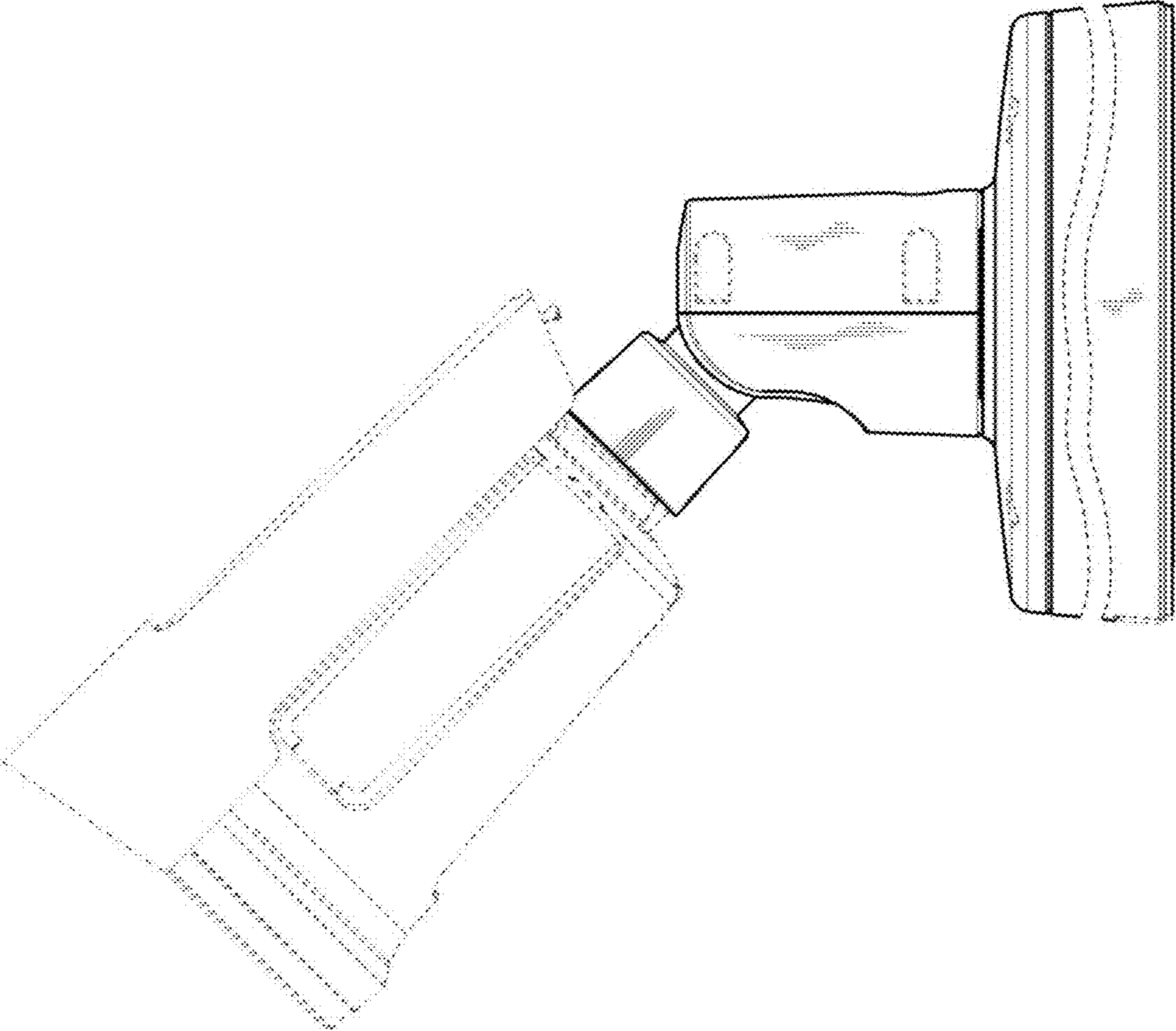
1.4



1.5



1.6



1.7

