



US00D857776S

(12) **United States Design Patent** (10) **Patent No.:** **US D857,776 S**
Li et al. (45) **Date of Patent:** **** Aug. 27, 2019**

(54) **INTERNET PROTOCOL CAMERA**

(71) Applicant: **Honeywell International Inc.,**
Morristown, NJ (US)

(72) Inventors: **Yun Li**, Shanghai (CN); **Erica Lin**,
Shanghai (CN); **Wei Wen**, Shanghai
(CN)

(73) Assignee: **ADEMCO INC.**, Golden Valley, MN
(US)

(**) Term: **15 Years**

(21) Appl. No.: **29/599,614**

(22) Filed: **Apr. 5, 2017**

(51) **LOC (12) Cl.** **16-01**

(52) **U.S. Cl.**
USPC **D16/202; D16/203**

(58) **Field of Classification Search**
USPC D16/200, 202–205, 208, 218, 219, 242;
348/14.01–14.06, 143, 148, 373–376;
396/419, 427, 535, 539–541
CPC G03B 17/02; G03B 19/04; G03B 17/56;
G03B 17/04; G03B 15/03; H04N 5/2251;
H04N 5/2252; H04N 5/2253; H04N
5/2254; H04N 2007/145; H04N 7/141;
H04N 7/142; H04N 7/147; H04N 7/148;
H04N 7/15; H04N 7/152
See application file for complete search history.

(56) **References Cited**

U.S. PATENT DOCUMENTS

D575,316 S * 8/2008 Liu D16/202
D591,321 S * 4/2009 Sheppard D16/202
D641,771 S * 7/2011 Sasaki D16/202
D649,573 S * 11/2011 Al D16/202
D651,632 S * 1/2012 Kim D16/202
D659,732 S * 5/2012 Kim D16/202
D664,177 S * 7/2012 Oikawa D16/202

D684,204 S * 6/2013 Uemachi D16/200
D697,119 S * 1/2014 Park D16/202
8,937,658 B2 1/2015 Hicks, III et al.
D741,932 S * 10/2015 Huang D16/202
D743,467 S * 11/2015 Bhattacharya D16/203
D758,469 S * 6/2016 Cho D16/219
9,379,915 B2 6/2016 Hicks, III
9,478,112 B1 10/2016 Slavin et al.
D795,938 S * 8/2017 Ravat D16/202

OTHER PUBLICATIONS

Lewis Painter, PC Advisor, MyFox Home Alarm & Security Camera
review, Aug. 7, 2015, [http://www.pcadvisor.co.uk/review/security-cameras/myfox-home-alarm-security-camera-re . . .](http://www.pcadvisor.co.uk/review/security-cameras/myfox-home-alarm-security-camera-re...)
Redwire, Video Solutions, accessed electronically on Feb. 27, 2017
<http://redwireus.com/video>.
Risco Group, IP Cams, accessed electronically on Feb. 27, 2017
<https://www.riscogroup.com/products/solution/50974>.

* cited by examiner

Primary Examiner — Ramzi S Almatrahi
(74) *Attorney, Agent, or Firm* — Husch Blackwell LLP

(57) **CLAIM**

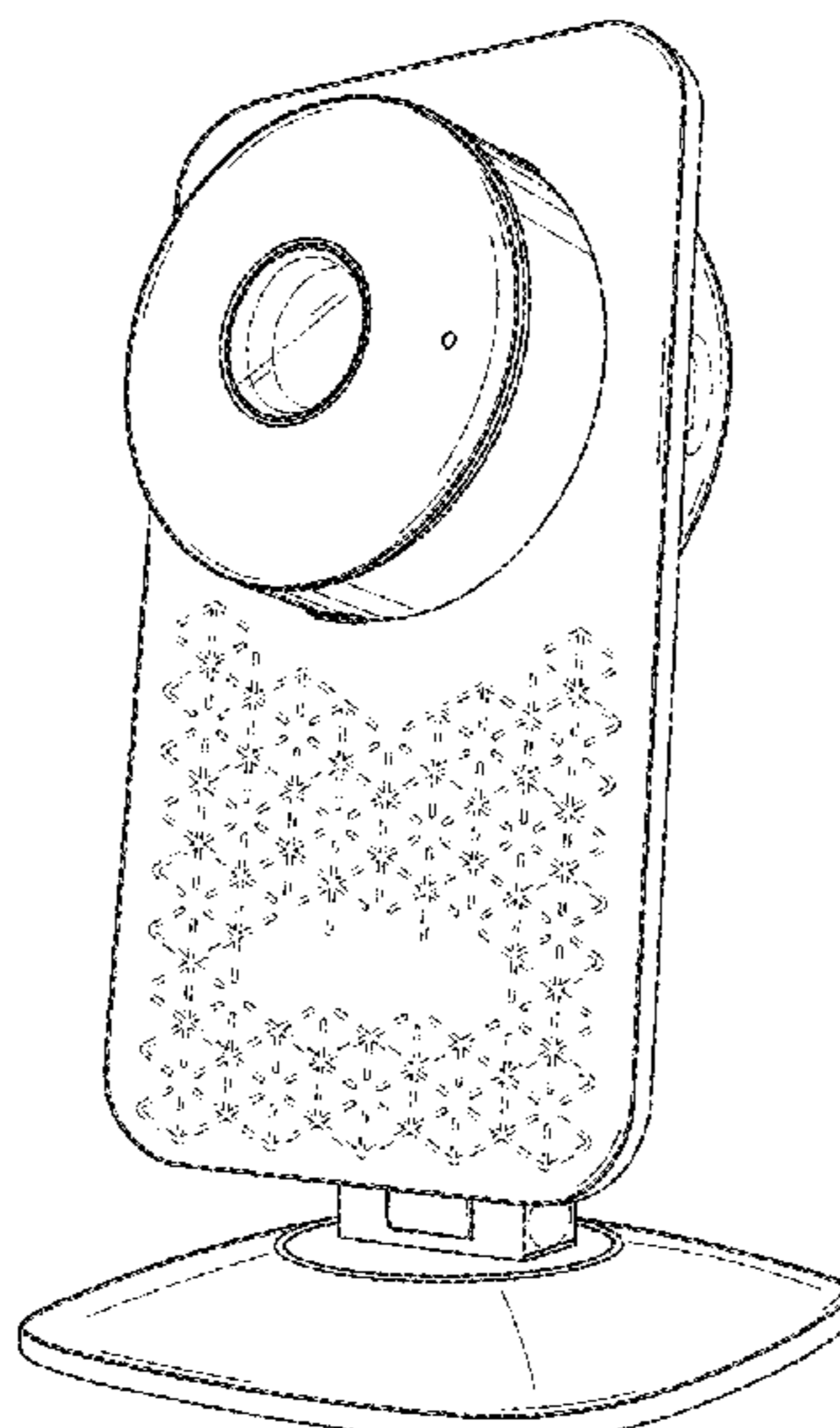
The ornamental design for an internet protocol camera, as
shown and described.

DESCRIPTION

FIG. 1 is a perspective view of an internet protocol camera;
FIG. 2 is a front elevation view thereof;
FIG. 3 is a rear elevation view thereof;
FIG. 4 is a right side elevation view thereof;
FIG. 5 is a left side elevation view thereof; and,
FIG. 6 is a top plan view thereof.

The broken lines depict portions of the internet protocol
camera in which the design is embodied that form no part of
the claimed design. The bottom plan view of the internet
protocol camera is hereby disclaimed and forms no part of
the claimed design.

1 Claim, 4 Drawing Sheets



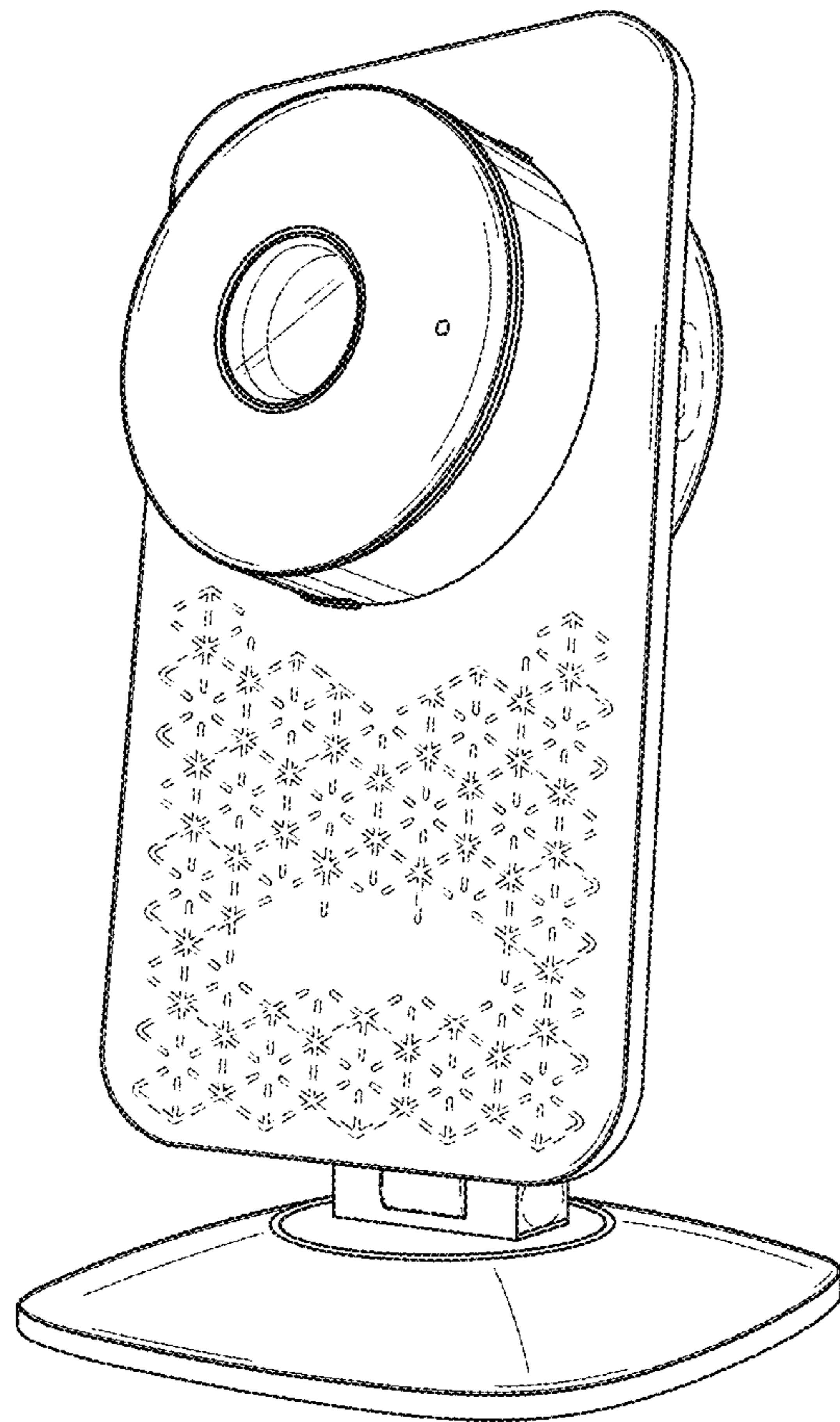


FIG. 1

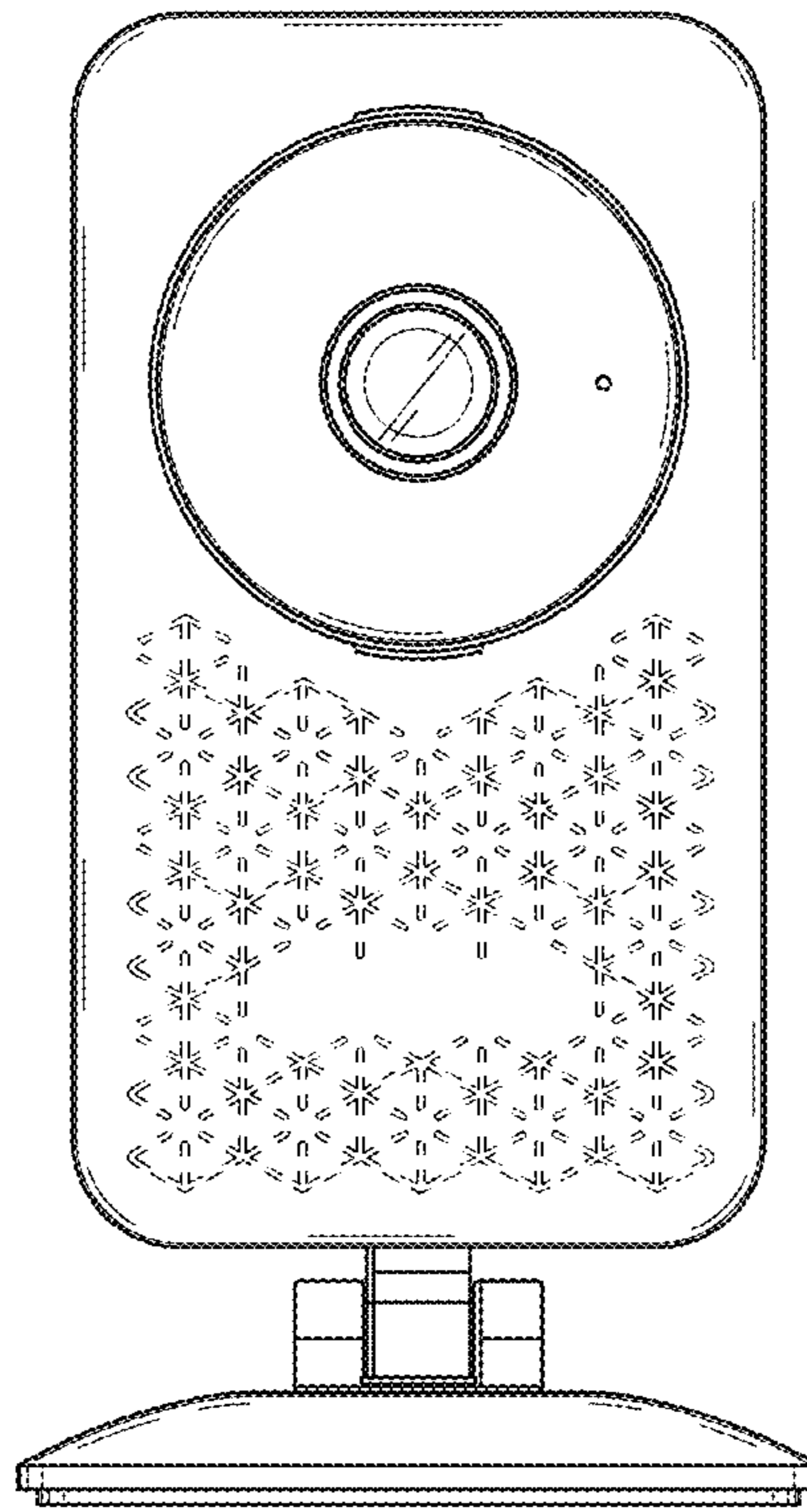


FIG. 2

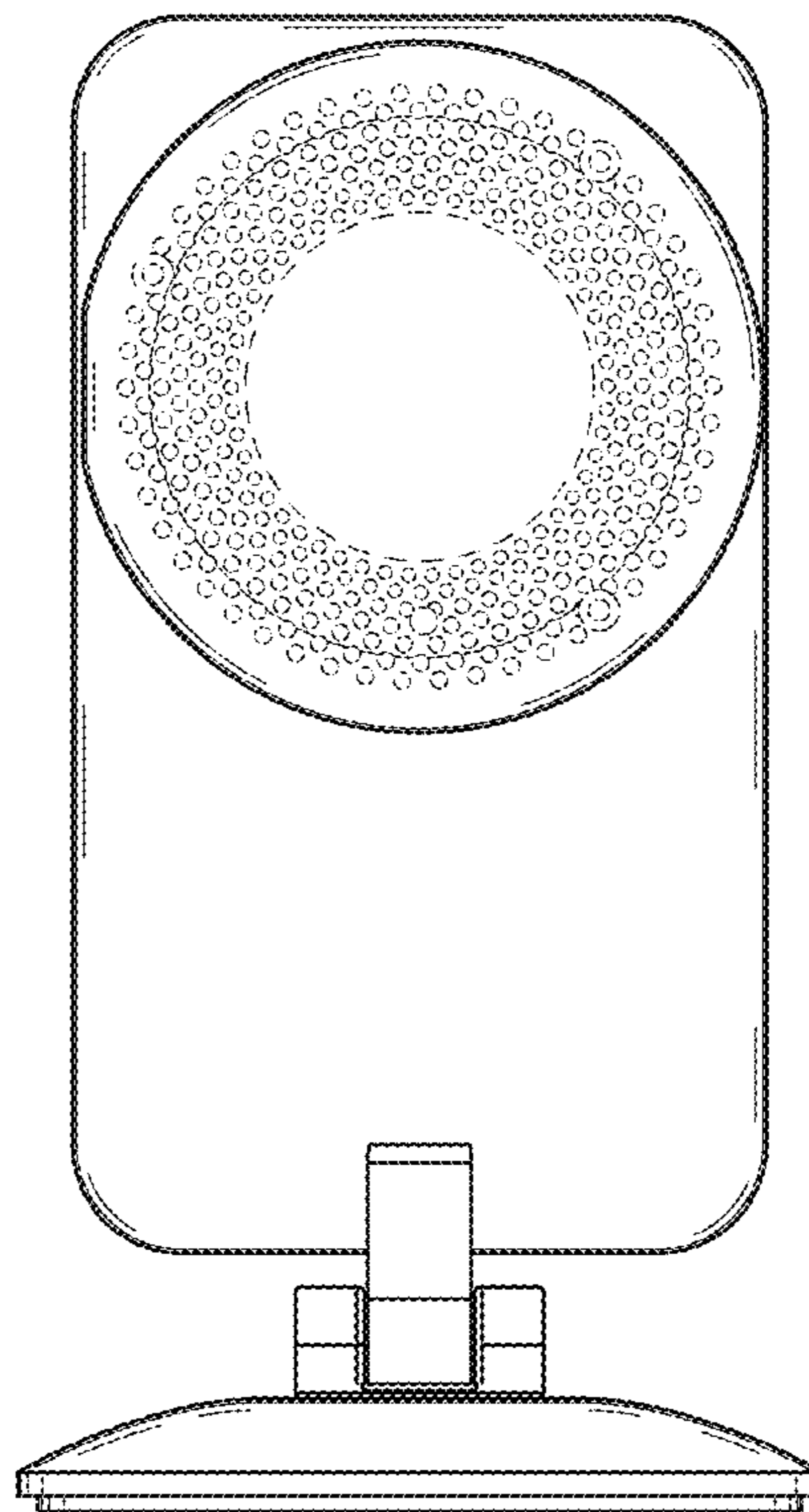


FIG. 3

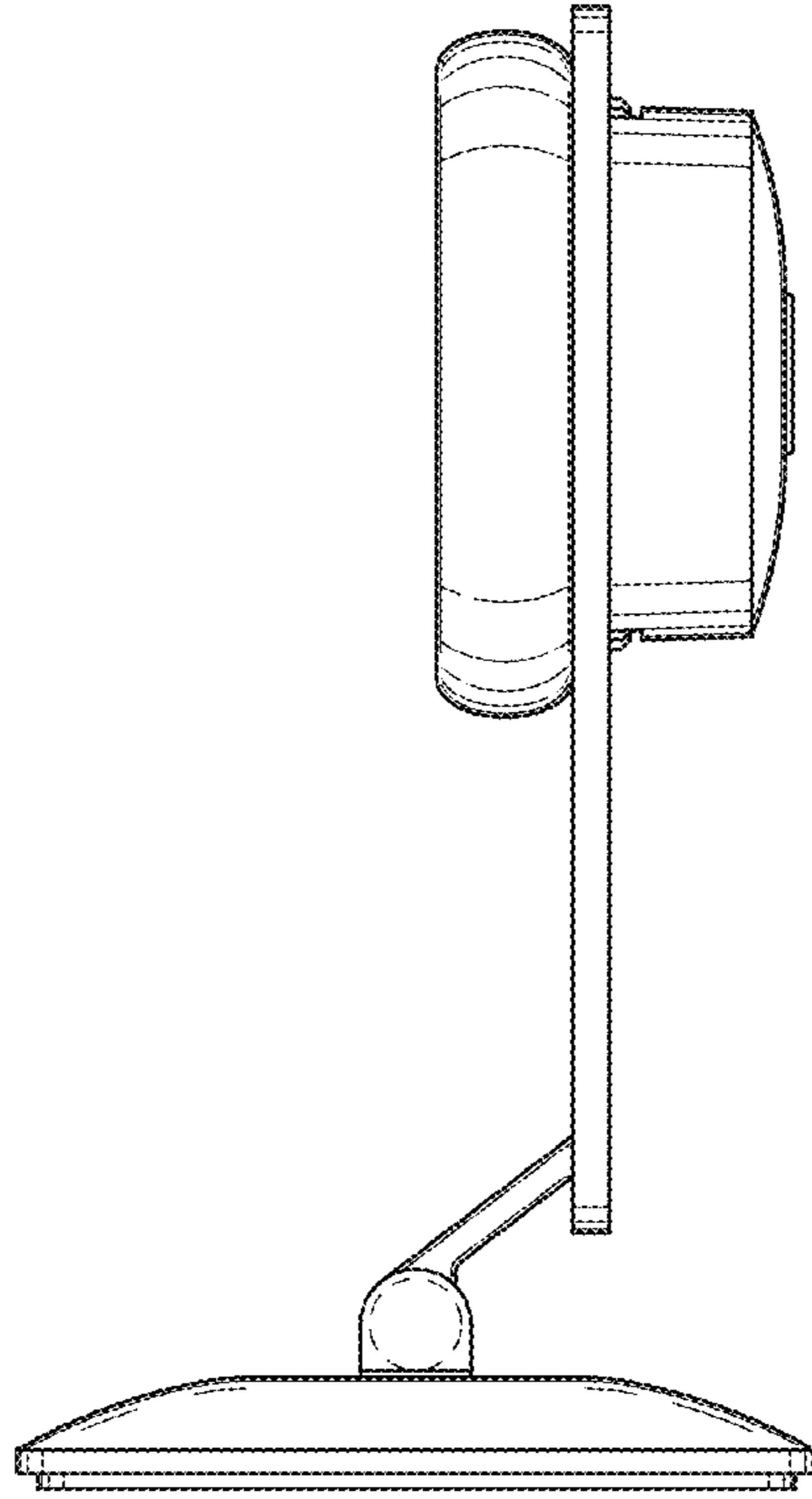


FIG. 4

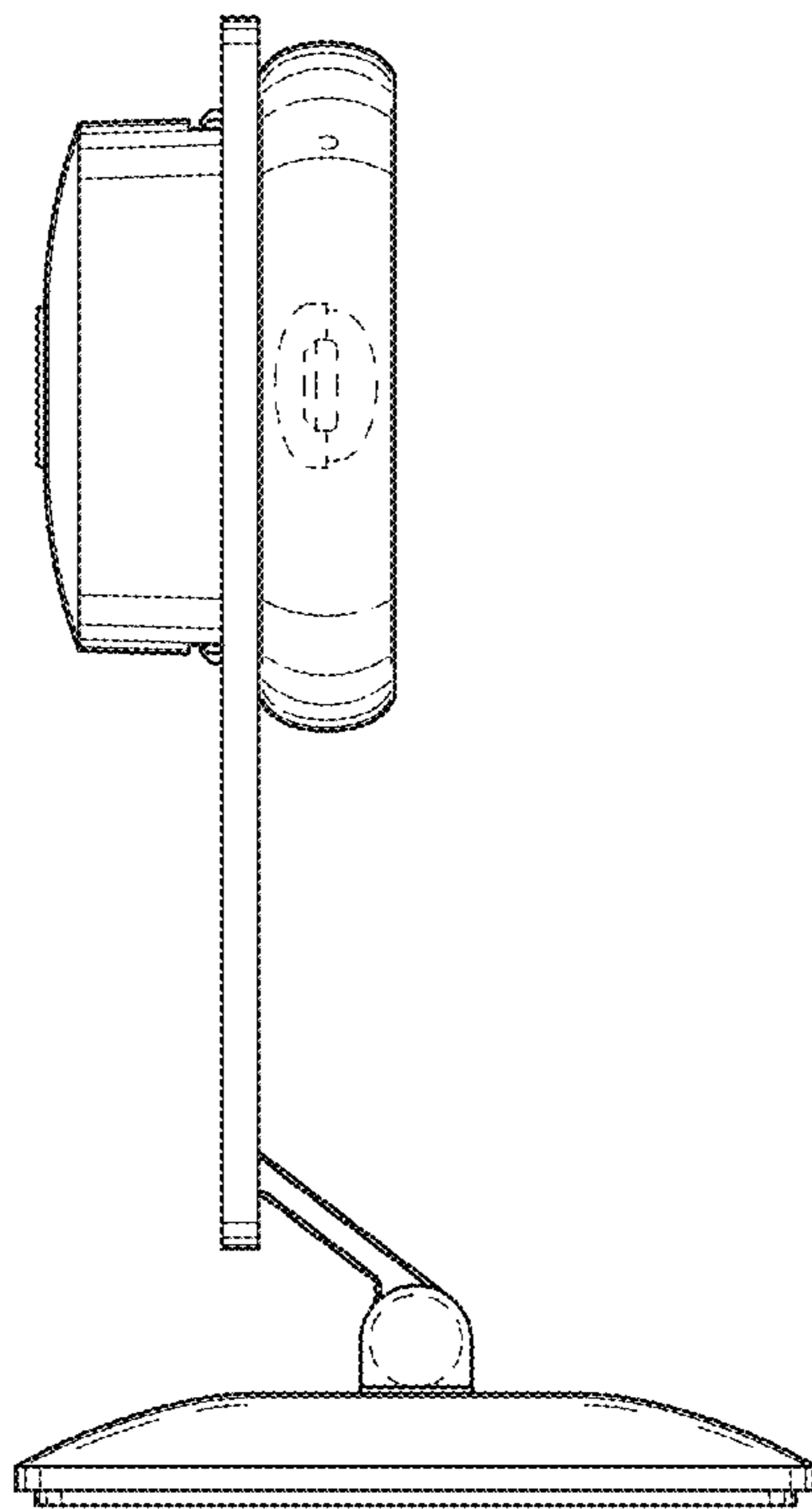


FIG. 5

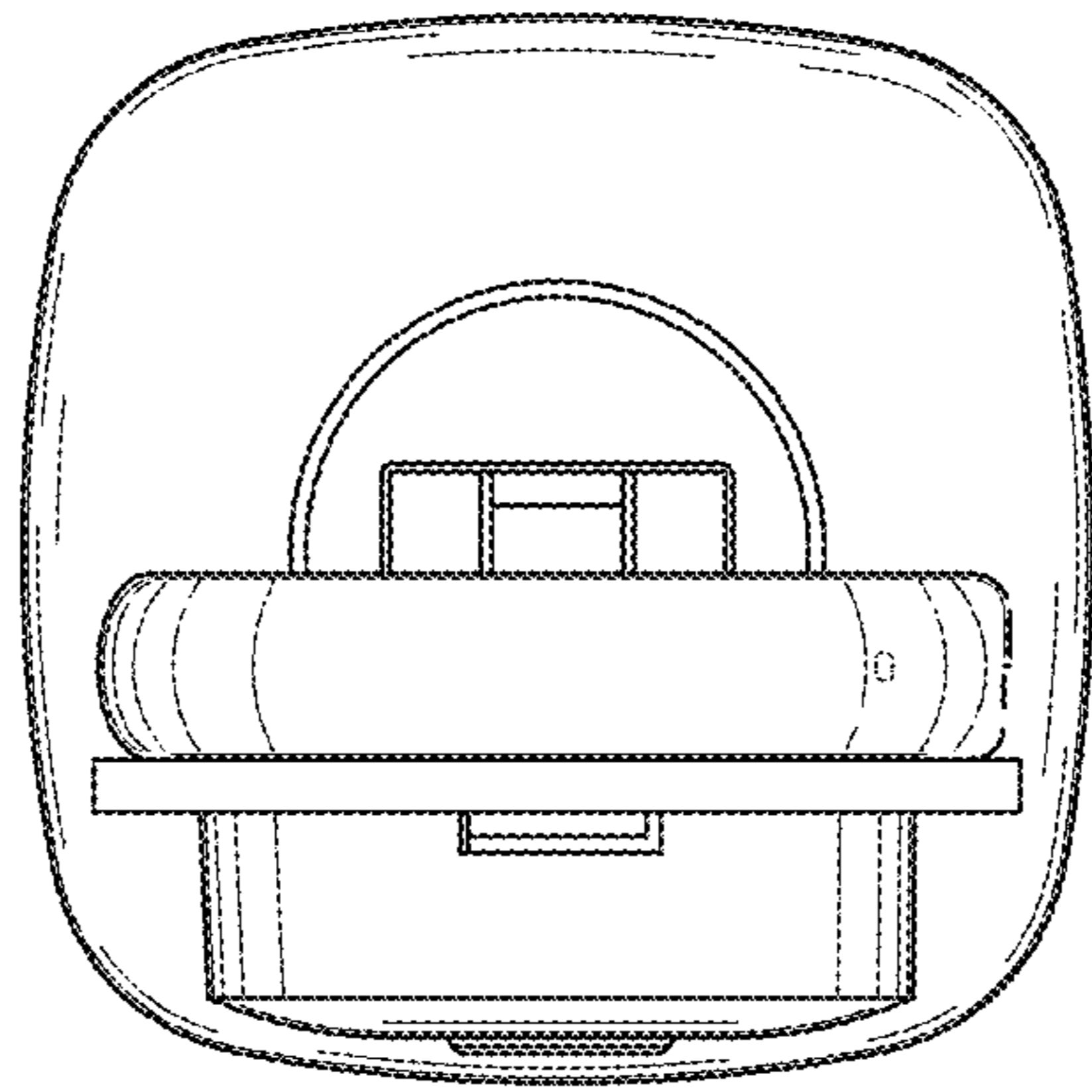


FIG. 6