



US00D857775S

(12) **United States Design Patent**
Kang

(10) **Patent No.:** **US D857,775 S**

(45) **Date of Patent:** **** Aug. 27, 2019**

(54) **OPTICAL COMMUNICATION MODULE**

5,167,145 A * 12/1992 Butler G01N 33/4905
250/341.5

(71) Applicant: **MPNICS CO., LTD.**, Gwangju (KR)

5,943,836 A * 8/1999 Kassardjian E04G 21/32
248/523

(72) Inventor: **Sang Do Kang**, Gwangju (KR)

D502,197 S * 2/2005 Imai D16/202

(73) Assignee: **MPNICS CO., LTD.**, Gwangju (KR)

* cited by examiner

(**) Term: **15 Years**

Primary Examiner — Mark A Goodwin

Assistant Examiner — Benjamin M Weeks

(21) Appl. No.: **29/613,336**

(74) *Attorney, Agent, or Firm* — The PL Law Group,
PLLC

(22) Filed: **Aug. 9, 2017**

(51) **LOC (12) Cl.** **16-06**

(52) **U.S. Cl.**

USPC **D16/134**

(58) **Field of Classification Search**

USPC D16/134, 100, 130, 135, 136, 200, 202,
D16/204, 218, 219, 237; D24/17, 66,
D24/64.1

CPC E06B 9/24; G03B 17/02; C03B 2215/46;
G02B 2003/0093; G02B 3/04

See application file for complete search history.

(57) **CLAIM**

The ornamental design for an optical communication module, as shown and described.

DESCRIPTION

FIG. 1 is a perspective view of an optical communication module which is transparent;
FIG. 2 is a front view thereof;
FIG. 3 is a rear view thereof;
FIG. 4 is a left side view thereof;
FIG. 5 is a right side view thereof;
FIG. 6 is a top plan view thereof; and,
FIG. 7 is a bottom plan view thereof.

(56) **References Cited**

U.S. PATENT DOCUMENTS

3,309,893 A * 3/1967 Heffler B65D 81/022
206/205
4,758,195 A * 7/1988 Walsh A63H 33/04
401/196

1 Claim, 7 Drawing Sheets

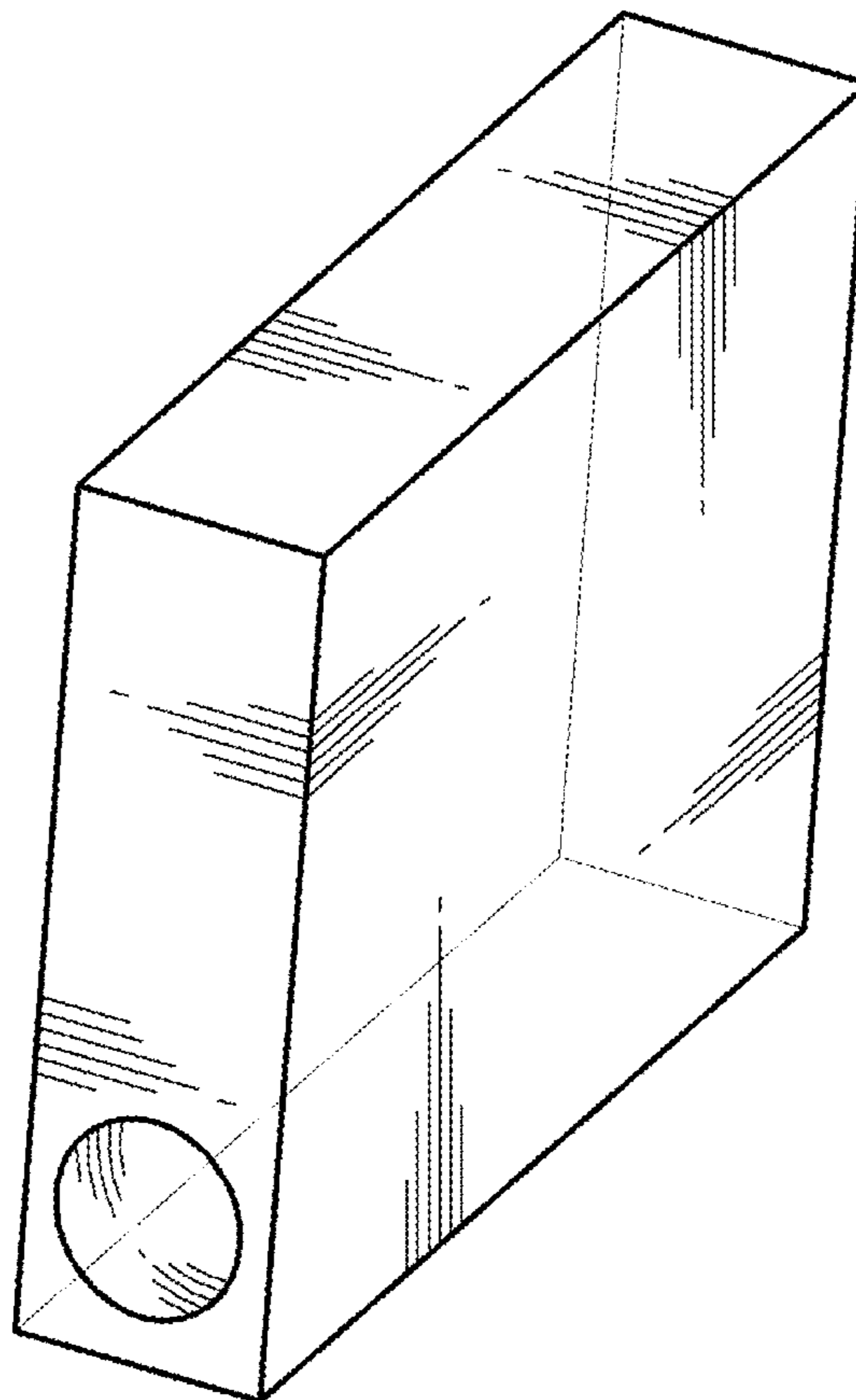


FIG. 1

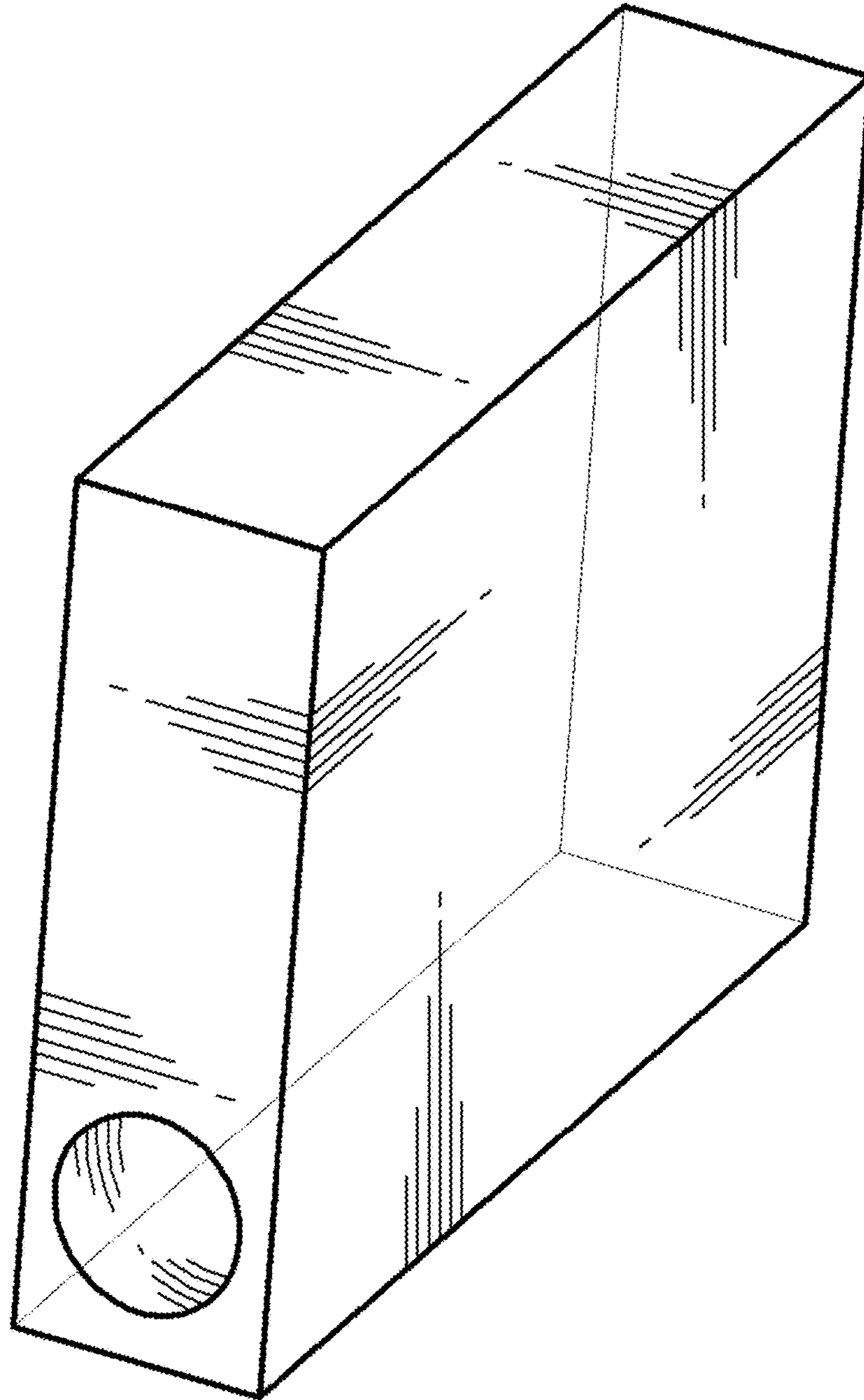


FIG. 2

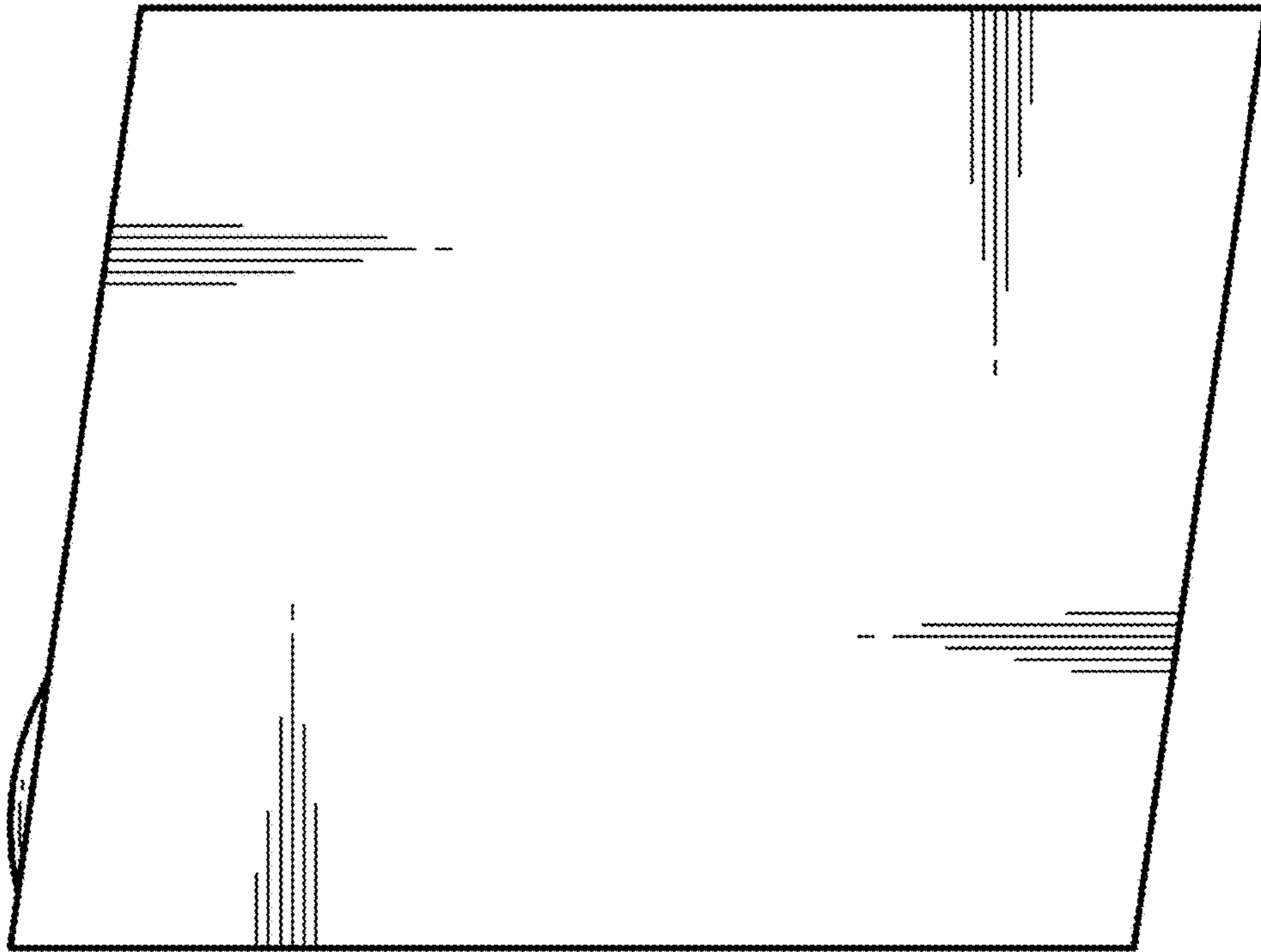


FIG. 3

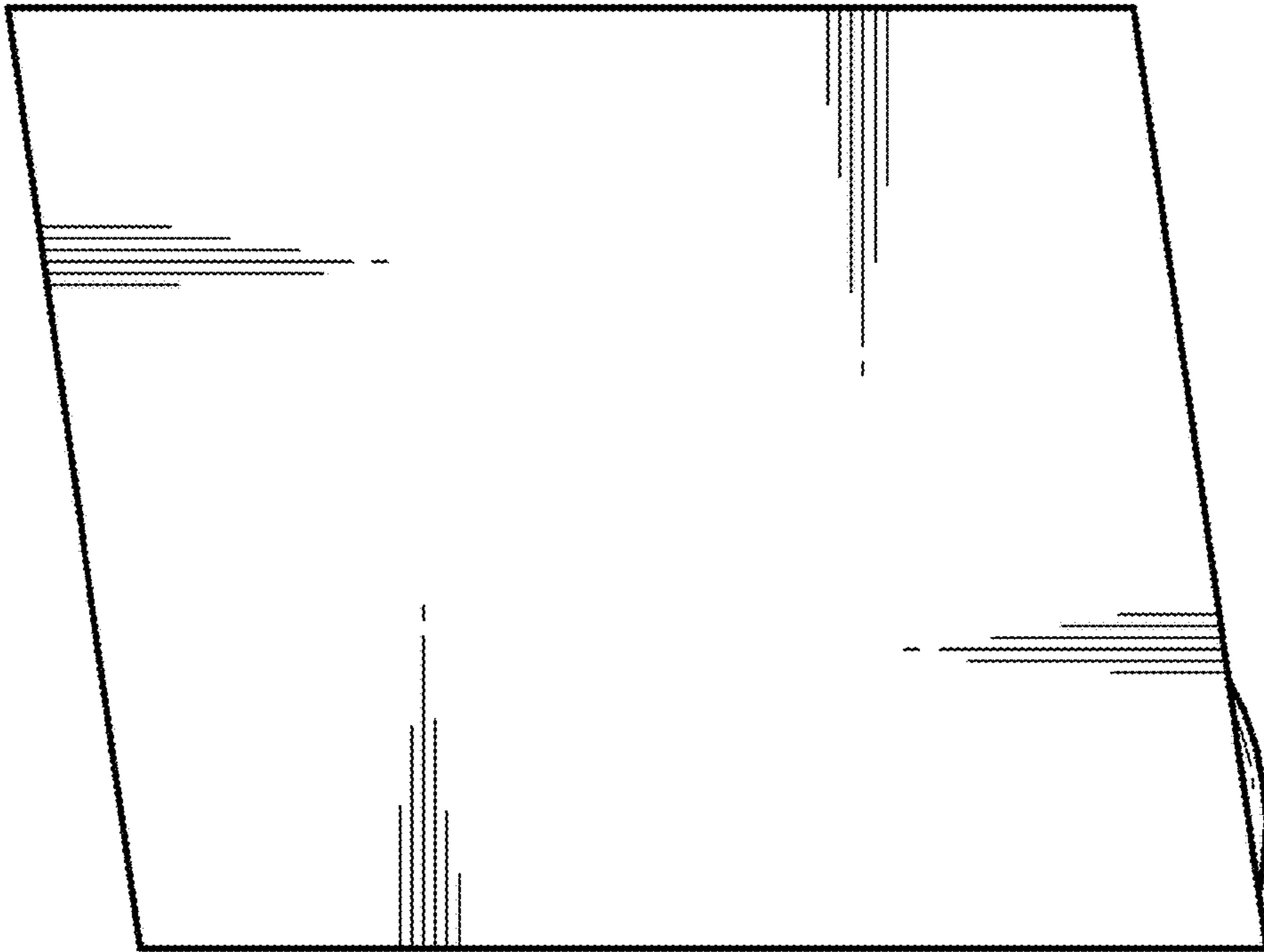


FIG. 4

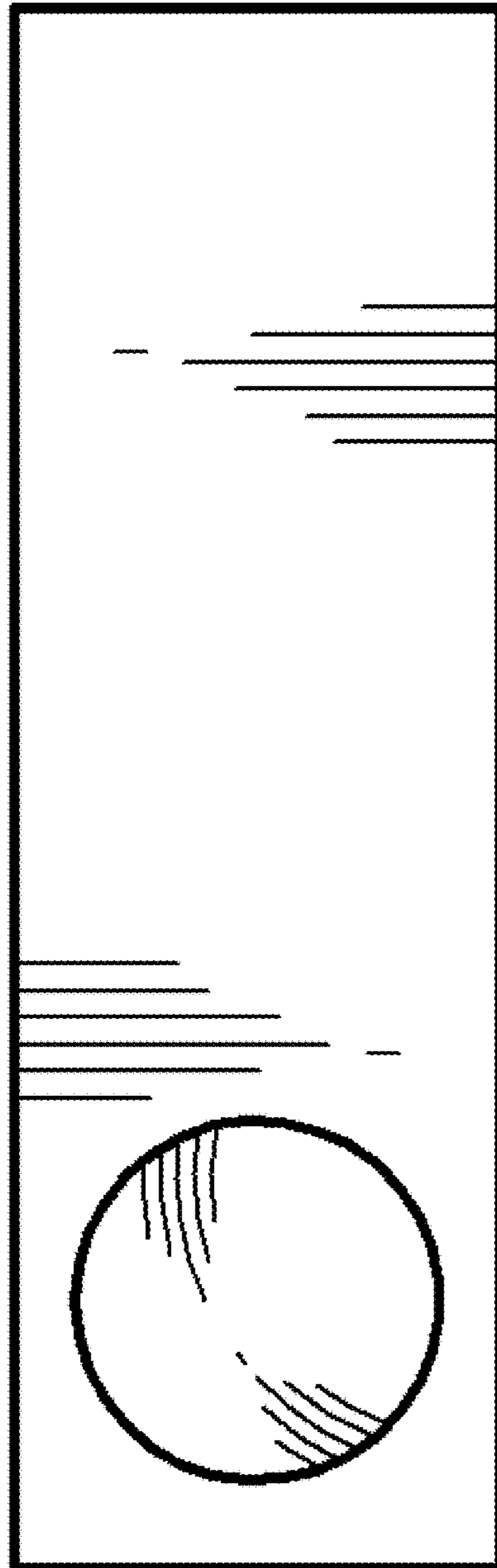


FIG. 5

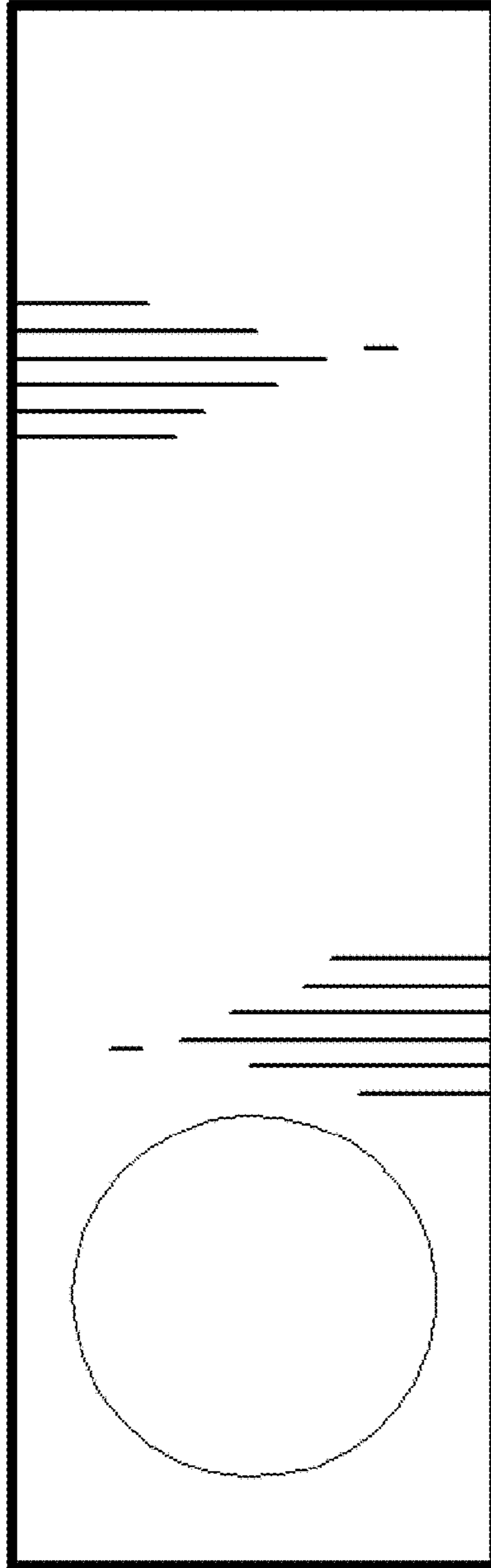


FIG. 6

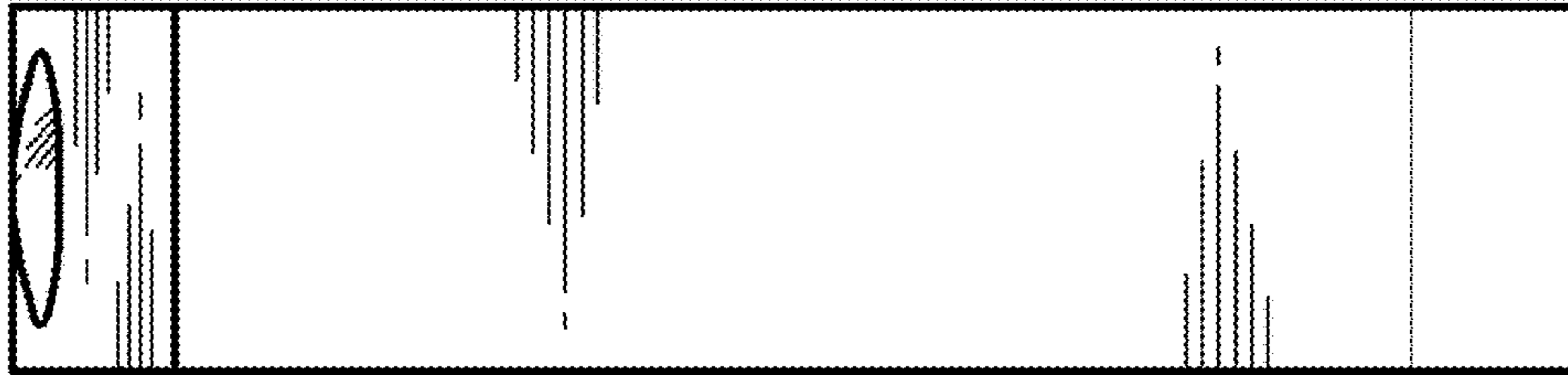


FIG. 7

