



US00D857773S

(12) **United States Design Patent**
Muraishi et al.

(10) **Patent No.:** **US D857,773 S**
(45) **Date of Patent:** **** Aug. 27, 2019**

(54) **ROBOT**

FOREIGN PATENT DOCUMENTS

(71) Applicant: **Sharp Kabushiki Kaisha**, Osaka-shi,
Osaka (JP)

JP 60-161591 U 10/1985
JP D844904 10/1993

(Continued)

(72) Inventors: **Ichiro Muraishi**, Osaka (JP); **Osamu Kawata**, Osaka (JP); **Takashi Matsuda**, Osaka (JP)

OTHER PUBLICATIONS

(73) Assignee: **Sharp Kabushiki Kaisha**, Osaka (JP)

“Sharp INTELLOS Automated Unmanned Ground Vehicle (A-UGV).”
Found online May 11, 2018 at www.sharpintellos.com. Page dated
Sep. 16, 2016. Retrieved from URL: <https://web.archive.org/web/20160916151034/http://www.sharpintellos.com/> (Year: 2016).*

(**) Term: **15 Years**

(Continued)

(21) Appl. No.: **29/563,322**

(22) Filed: **May 4, 2016**

(51) **LOC (12) Cl.** **15-99**

(52) **U.S. Cl.**
USPC **D15/199**

(58) **Field of Classification Search**
USPC D15/14, 22, 149, 199; D21/533, 539;
D12/14, 86, 93; D8/62
CPC A63H 17/00; A63H 30/04; Y10S 901/01
See application file for complete search history.

Primary Examiner — Garth Rademaker

Assistant Examiner — Katelin G Kloberg

(74) *Attorney, Agent, or Firm* — Nixon & Vanderhye P.C.

(57) **CLAIM**

The ornamental design for a “robot”, as shown and described.

(56) **References Cited**

DESCRIPTION

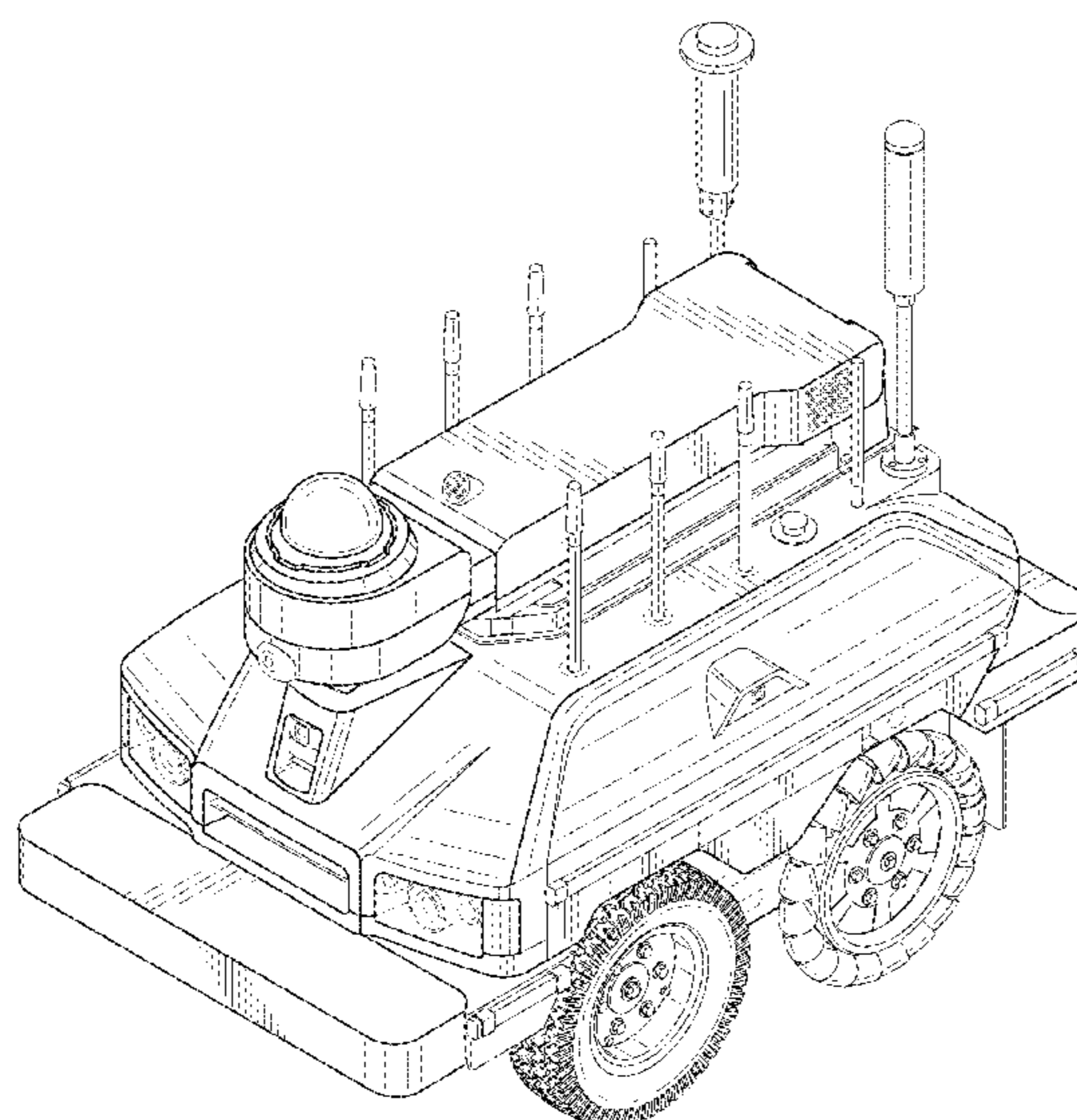
U.S. PATENT DOCUMENTS

D208,213 S *	8/1967	Hauser	D15/149
D262,903 S *	2/1982	Becker	D21/533
D273,600 S *	4/1984	Wilkes	D21/423
D346,571 S *	5/1994	Lewellen	D12/14
D425,140 S *	5/2000	Bao	D21/539
6,132,287 A *	10/2000	Kuralt	A63H 17/004 446/431
D502,072 S *	2/2005	Wright	D8/62
6,985,795 B2 *	1/2006	Scotese	B60G 9/02 212/278
7,172,488 B2 *	2/2007	Moll	A63H 17/00 446/437
D559,867 S *	1/2008	Abramson	D15/14
D573,610 S *	7/2008	Abramson	D15/14
D691,675 S *	10/2013	Kim	D21/533

(Continued)

FIG. 1 is a front, right perspective view of a robot in accordance with our new design;
FIG. 2 is a front elevation view thereof;
FIG. 3 is a rear elevation view thereof;
FIG. 4 is top plan view thereof;
FIG. 5 is a bottom plan view thereof;
FIG. 6 is a right-side elevation view thereof;
FIG. 7 is a left-side elevation view thereof;
FIG. 8 is a right-side elevation view thereof, shown in an alternate position of use; and,
FIG. 9 is a sliced section view taken along line 9-9 in FIG. 6 with internal mechanisms omitted.
The broken lines shown in the drawings depict portions of the robot that form no part of the claimed design.

1 Claim, 9 Drawing Sheets



(56)

References Cited

U.S. PATENT DOCUMENTS

D692,029 S *	10/2013	Hiraoka	D15/22
D760,806 S *	7/2016	Cmich	D15/14
D764,349 S *	8/2016	Kuramoto	D12/14
D764,972 S *	8/2016	Gonzalez	D12/14
D772,757 S *	11/2016	Tu	D12/86
D775,032 S *	12/2016	Palmer	D12/190
D798,340 S *	9/2017	Hagura	D15/22
2012/0088436 A1 *	4/2012	Grossman	A63H 17/395 446/454

FOREIGN PATENT DOCUMENTS

JP	D1255685	11/2005
JP	D1288093	12/2006
JP	D1371207	10/2009
KR	30-0556023	3/2010

OTHER PUBLICATIONS

“YouTube—Jaguar 4×4 Wheel with Manipulator Arm(A).” Found online May 14, 2018 at www.youtube.com. Video published Oct. 18, 2011. Retrieved from URL: <https://www.youtube.com/watch?v=72NqL7P1paw> (Year: 2011).*

“YouTube—Robotnik Summit XL HL OMNI—Mecanum Wheels.” Found online May 14, 2018 at www.youtube.com. Video published Jan. 9, 2013. Retrieved from URL: https://www.youtube.com/watch?v=_tmiu1wpp_E (Year: 2013).*

“Smashing Robotics.” Found online May 14, 2018 at www.smashingrobotics.com. Page dated Jun. 28, 2014. Retrieved from URL: <https://www.smashingrobotics.com/wheeled-mobile-robot-development-platforms-from-budget-to-full-featured/> (Year: 2014).* English translations of Bibliographic data of the publications listed above (JP001371207, JP001288093, JP001255685, JP000844904002, JP1985161591 and KR3020090010018).

* cited by examiner

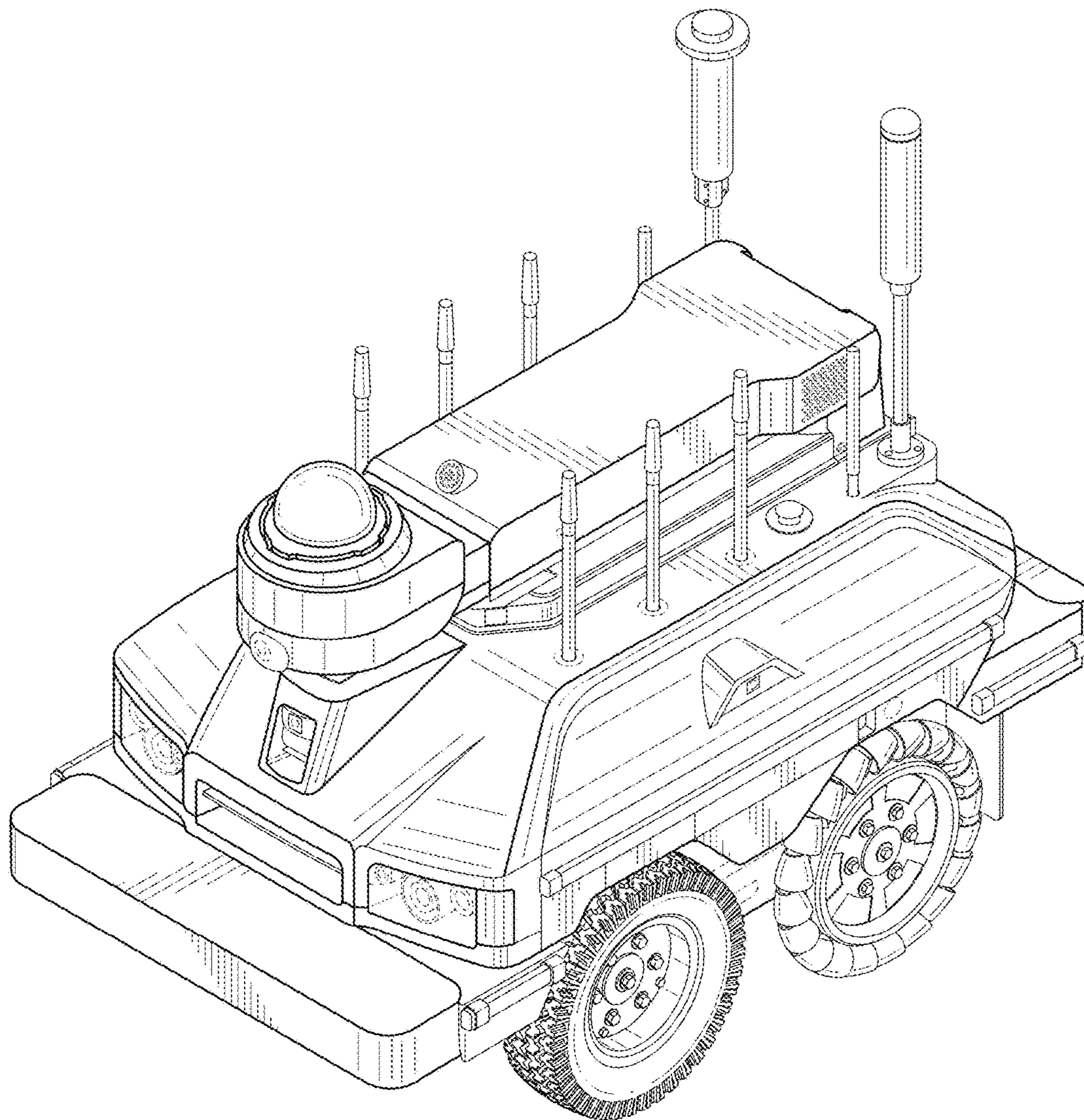


FIG. 1

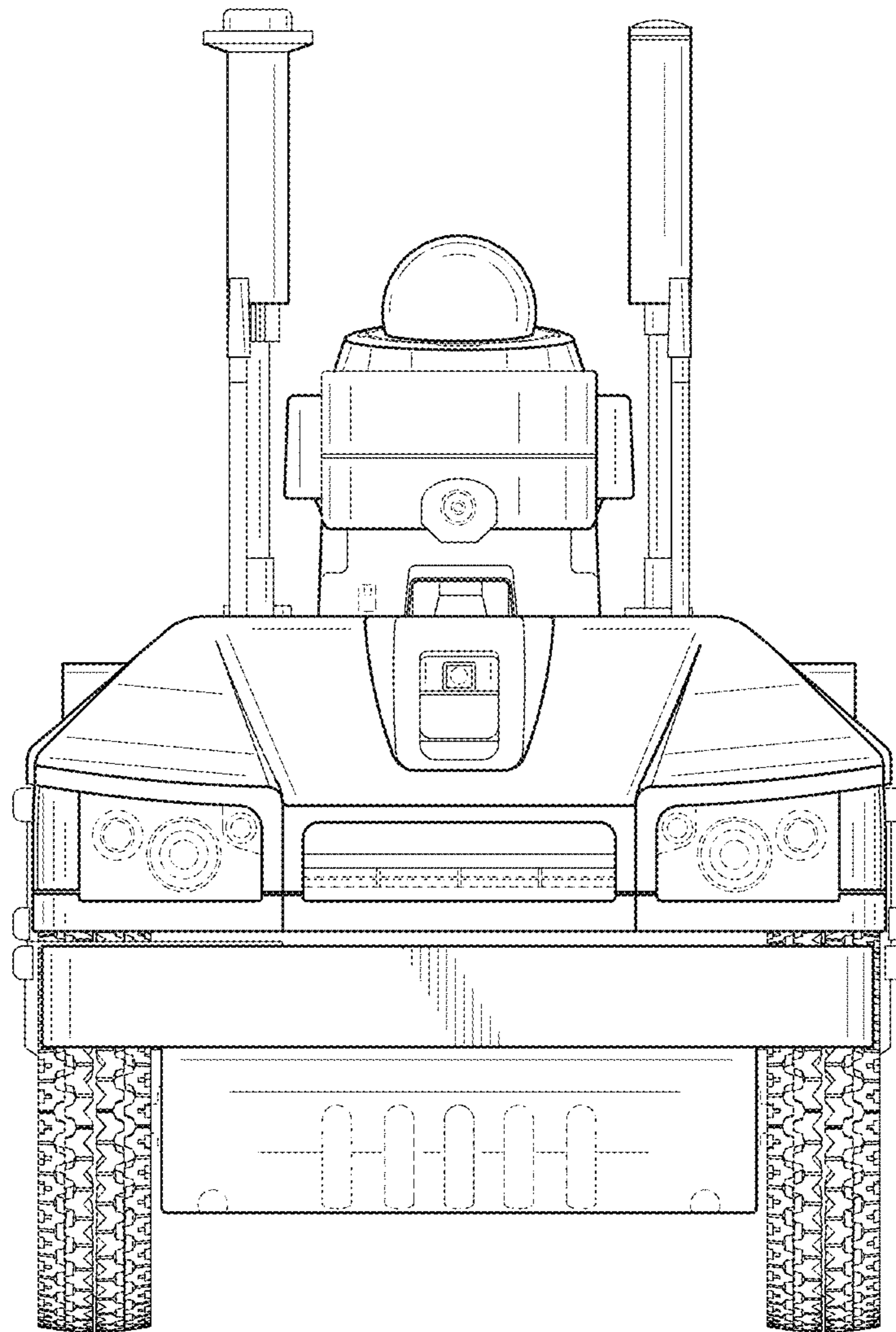


FIG. 2

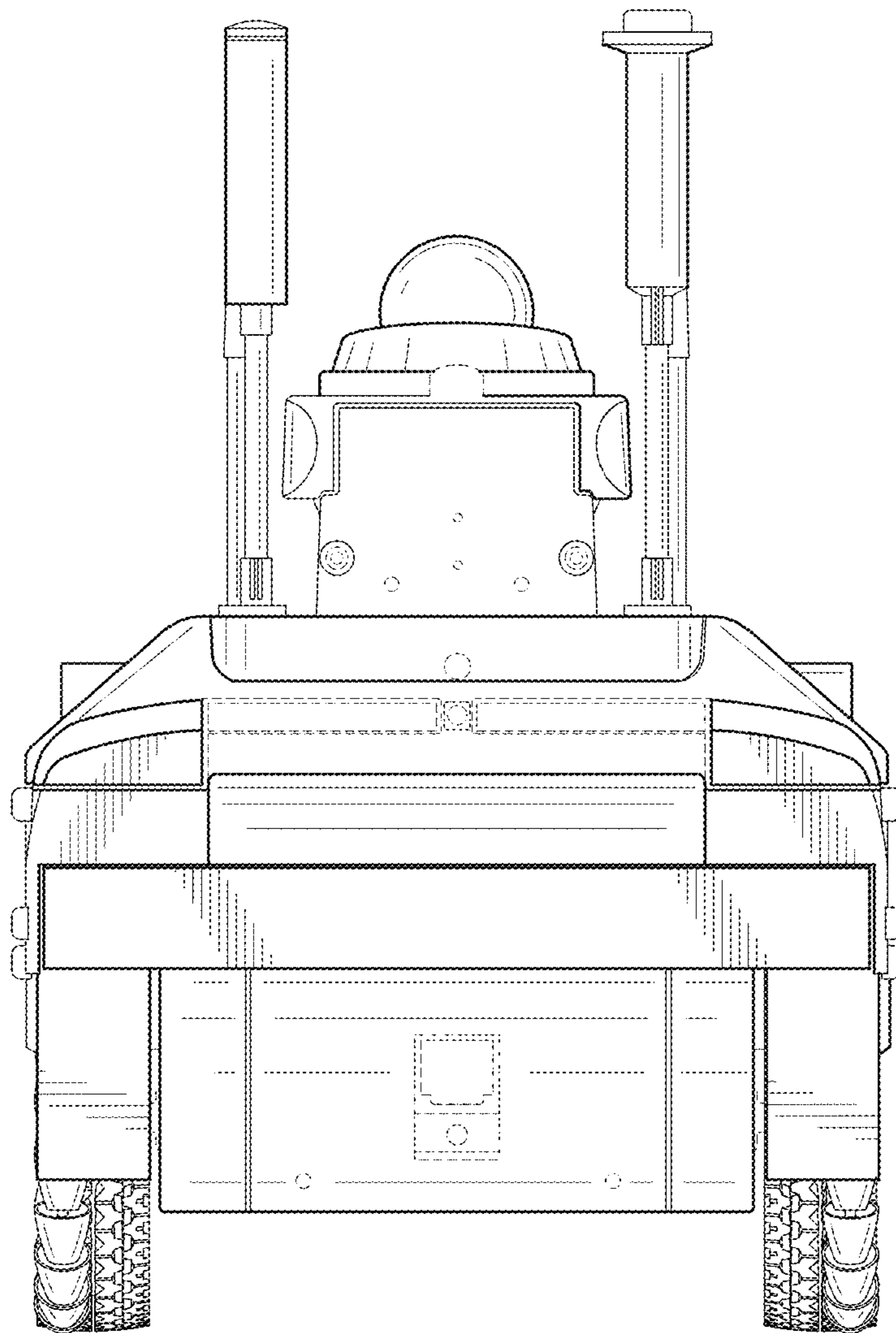


FIG. 3

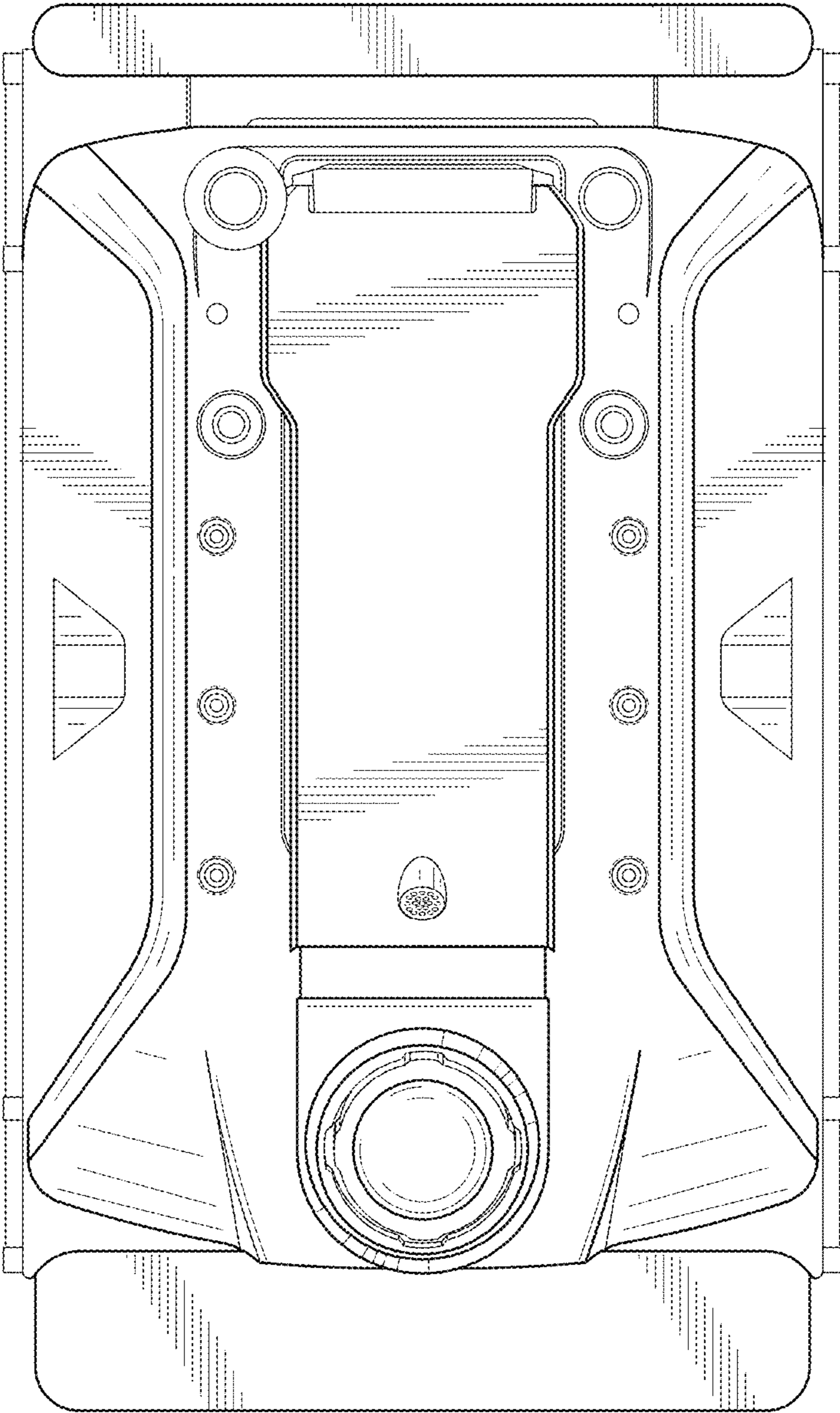


FIG. 4

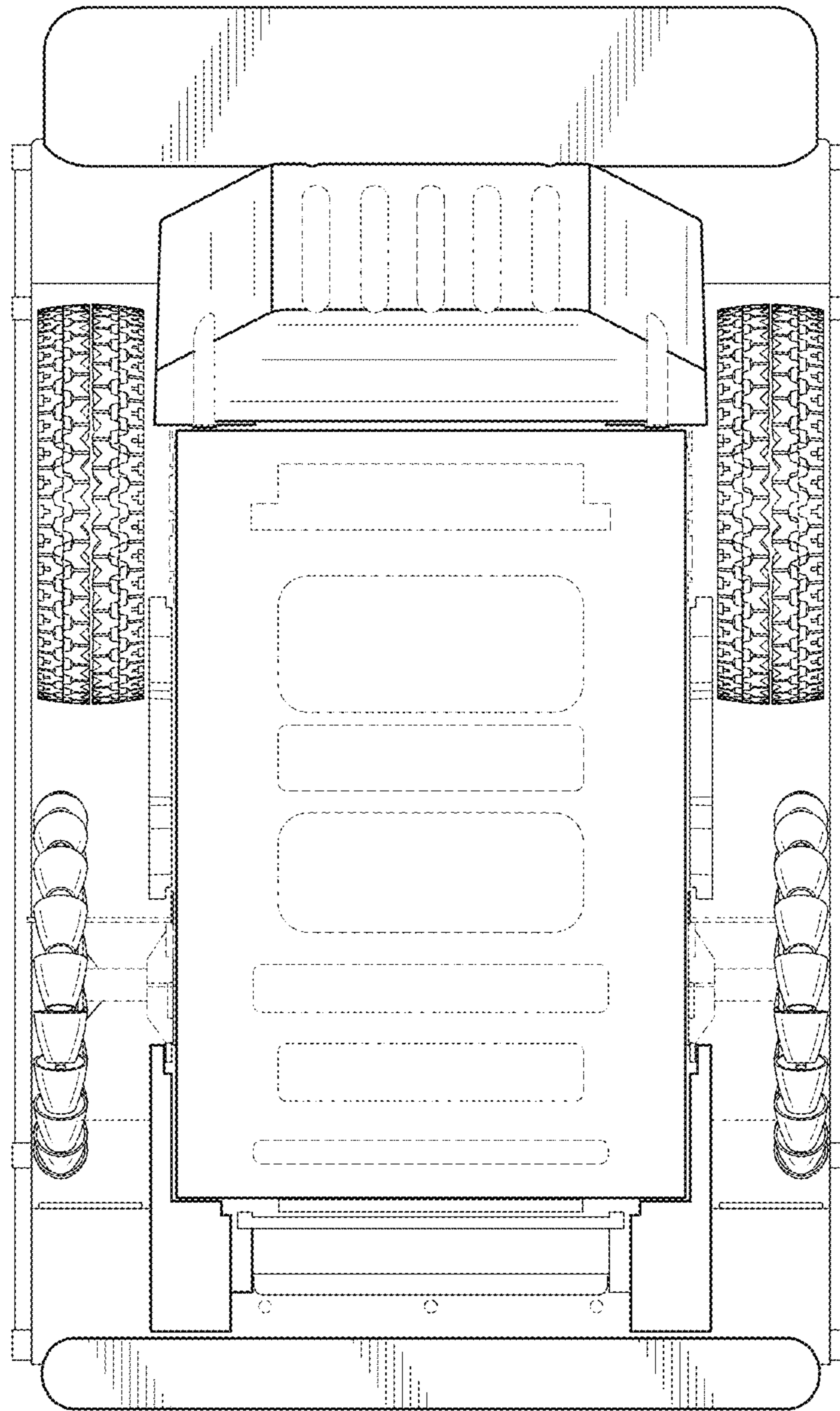


FIG. 5

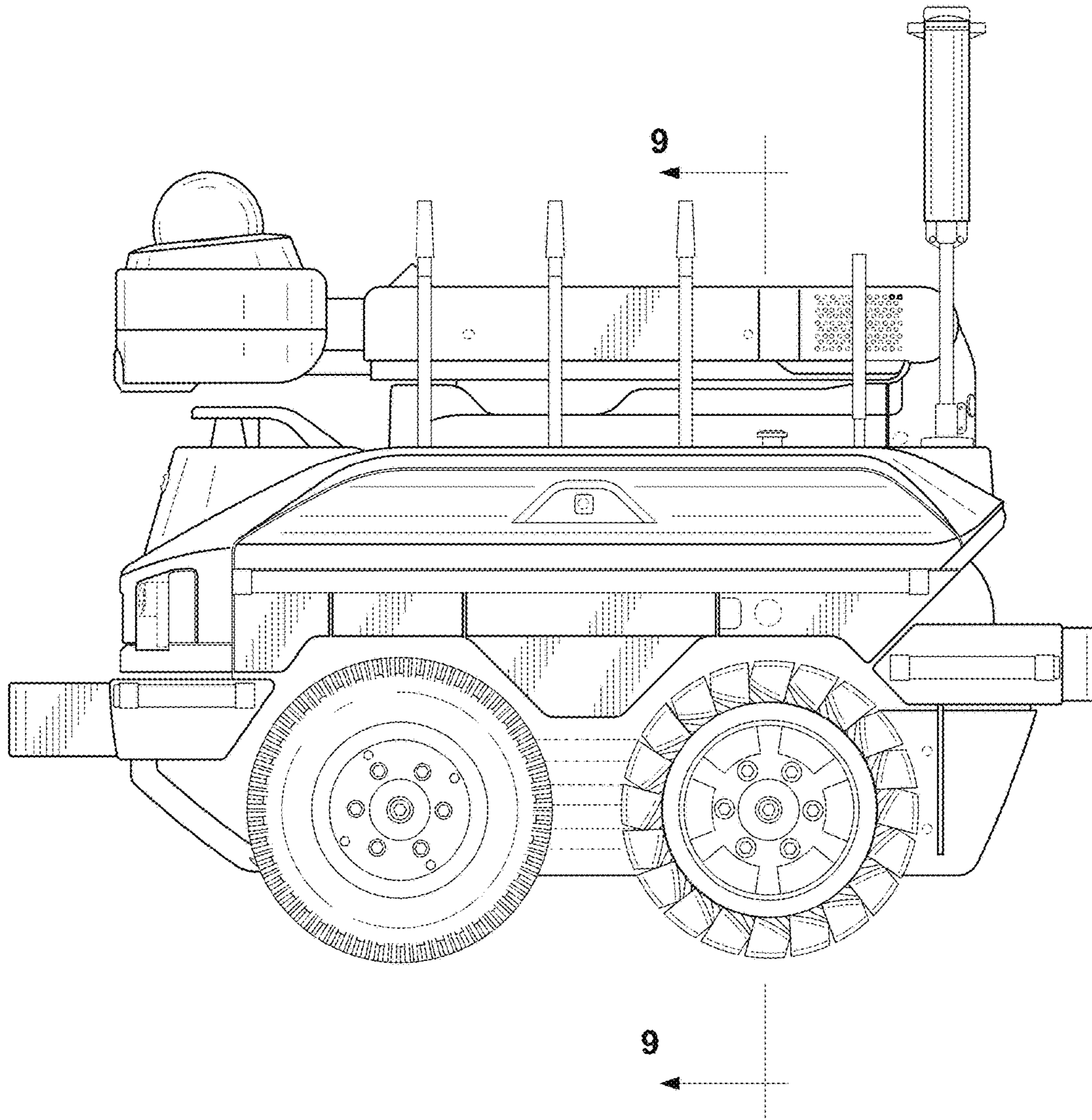


FIG. 6

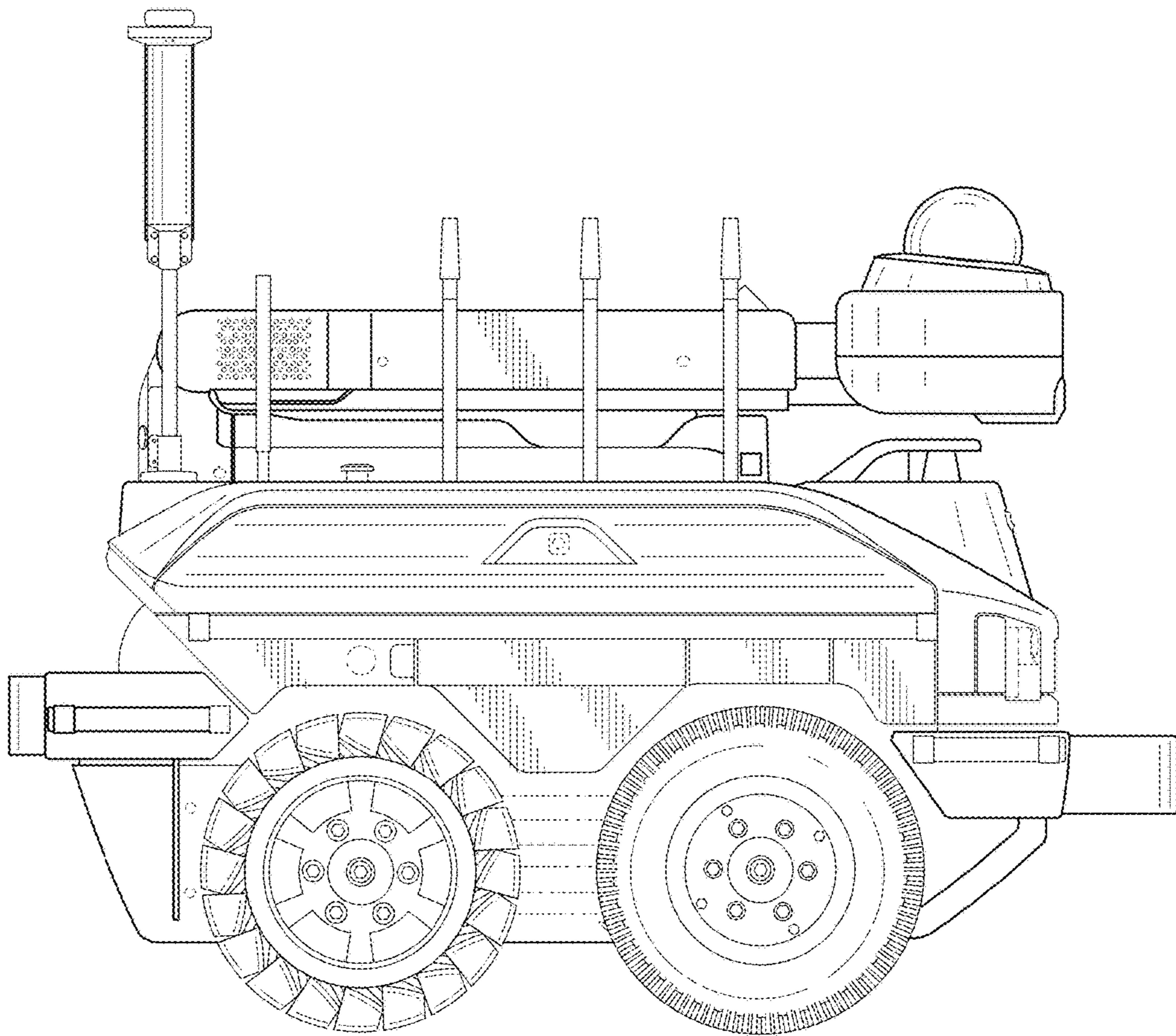


FIG. 7

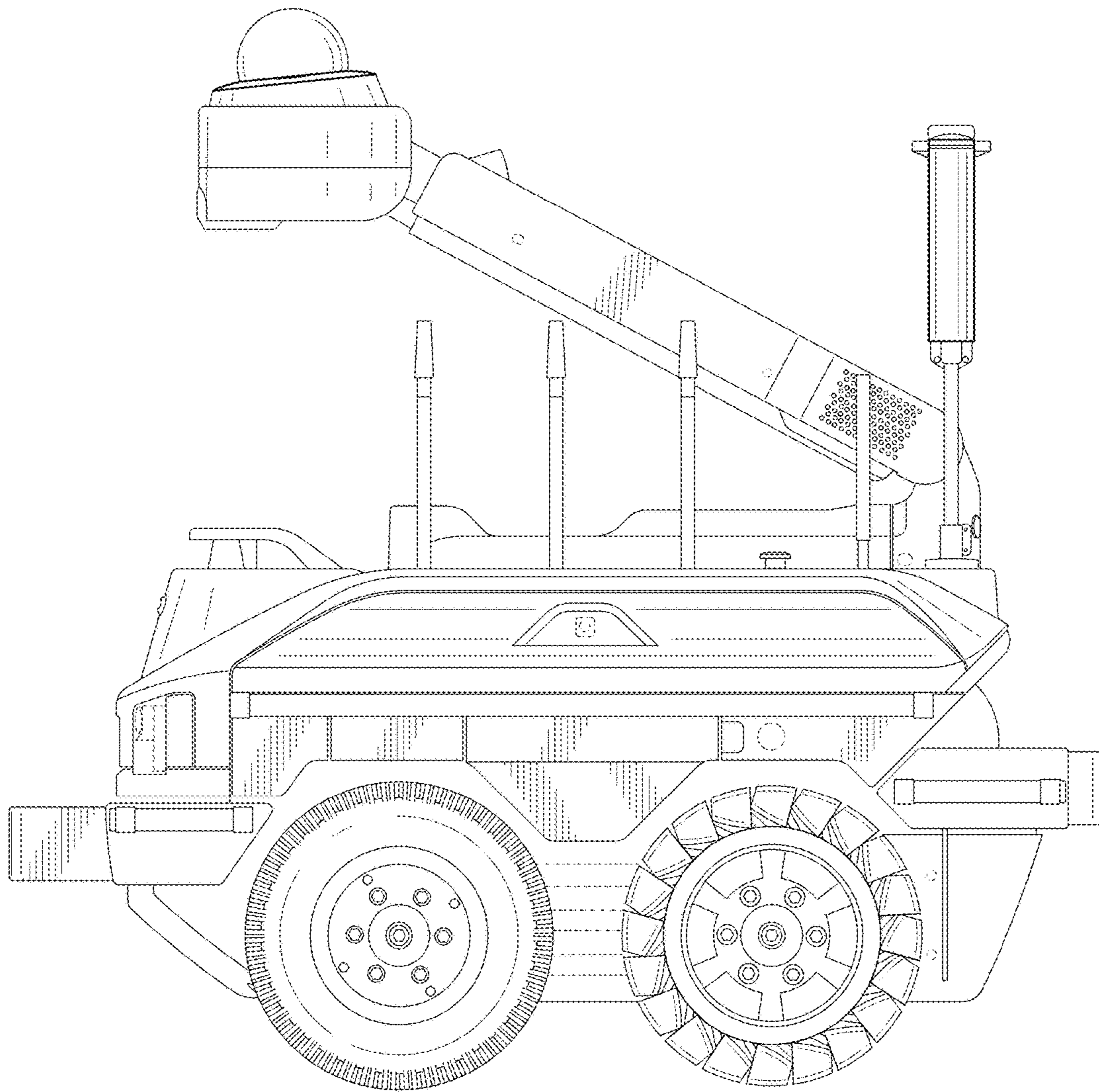


FIG. 8

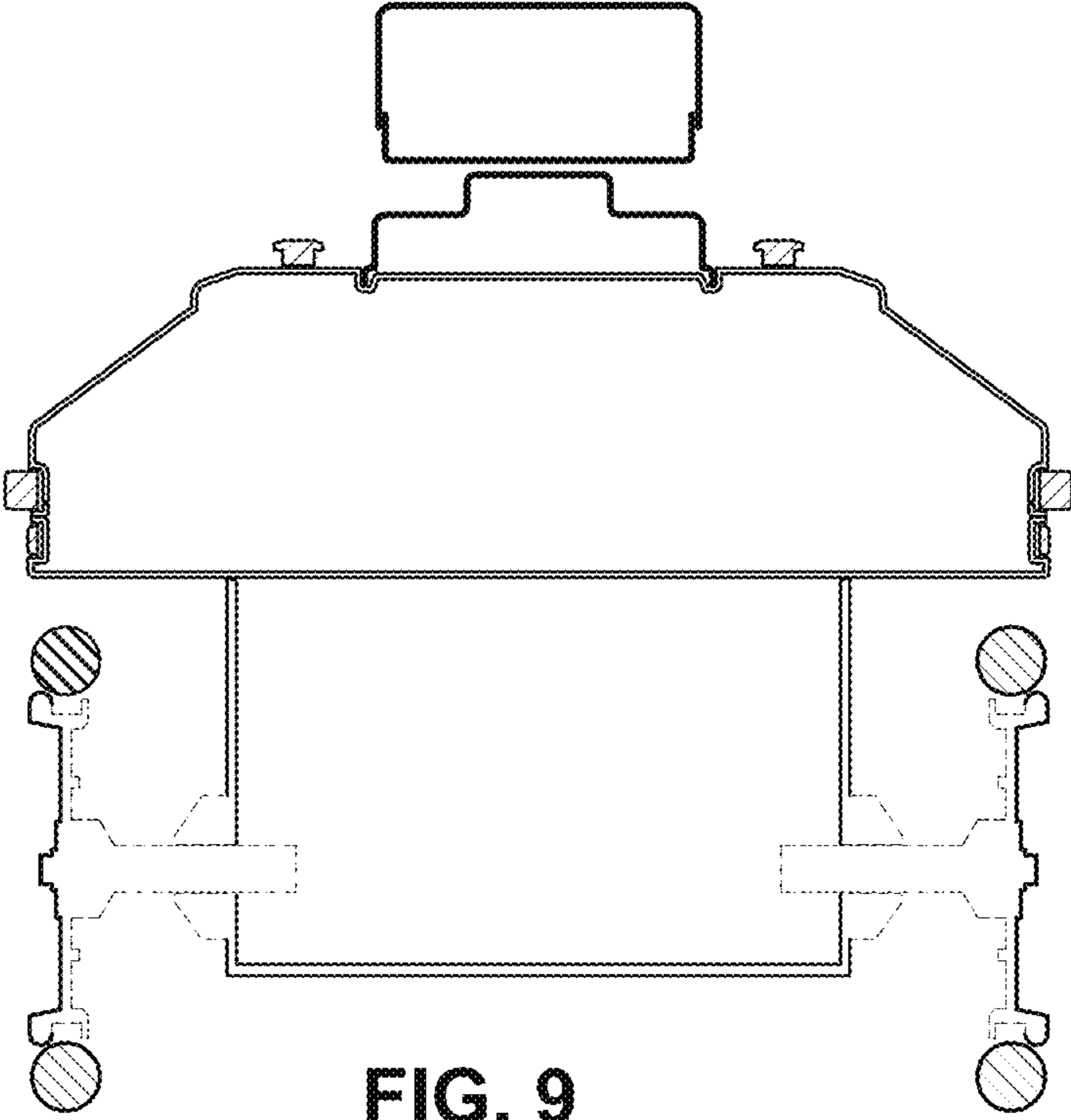


FIG. 9