



US00D857772S

(12) **United States Design Patent** (10) **Patent No.:** **US D857,772 S**
van den Boogaart et al. (45) **Date of Patent:** **** Aug. 27, 2019**

(54) **DRILLING TOOL**

(71) Applicant: **B+BTEC INTERNATIONAL BV**,
Zevenbergen (NL)

(72) Inventors: **Rob van den Boogaart**, Vught (NL);
Francis Jansen, Buren (NL)

(73) Assignee: **B+BTEC INTERNATIONAL BV**,
Zevenbergen (NL)

(**) Term: **15 Years**

(21) Appl. No.: **35/504,135**

(22) Filed: **Oct. 26, 2017**

(80) **Hague Agreement Data**

Int. Filing Date: **Oct. 26, 2017**

Int. Reg. No.: **DM/098720**

Int. Reg. Date: **Oct. 26, 2017**

Int. Reg. Pub. Date: **Dec. 15, 2017**

(51) **LOC (12) Cl.** **08-01**

(52) **U.S. Cl.**

USPC **D15/139**

CPC **B23B 51/02** (2013.01)

(58) **Field of Classification Search**

USPC D8/70; D15/131, 138, 139

CPC ... B23B 31/005; B23B 51/02; B23B 2226/75;

B23B 2231/0212; B23B 2251/248; B23B

2260/072; B23C 5/10; B23D 77/00;

B23G 5/064; Y10T 407/19; Y10T

408/907

See application file for complete search history.

(56) **References Cited**

U.S. PATENT DOCUMENTS

6,959,775 B2 * 11/2005 Pedersen B23B 51/02

175/394

D629,027 S * 12/2010 Kersten D15/139

D639,320 S *	6/2011	Frejd	D15/139
D649,988 S *	12/2011	Frejd	D15/139
D656,611 S *	3/2012	Garcia	D15/139
D664,167 S *	7/2012	Lampe	D15/139
D671,155 S *	11/2012	Defougeres	D15/139
D690,335 S *	9/2013	Li	D15/139
D723,076 S *	2/2015	Lampe	D15/139
D724,126 S *	3/2015	Senn	D15/139
D814,536 S *	4/2018	Kawakami	D15/139
D822,076 S *	7/2018	Nakata	D15/139
2005/0092528 A1 *	5/2005	Kersten	B23B 51/02 175/395
2005/0126829 A1 *	6/2005	Meierhofer	B23B 51/02 175/395
2005/0205306 A1 *	9/2005	Miyanaga	B23B 51/02 175/323
2007/0169965 A1 *	7/2007	Moser	B23B 51/02 175/420.1
2007/0251734 A1 *	11/2007	Koch	B23B 51/02 175/415
2008/0014048 A1 *	1/2008	Nadler	B23B 49/005 411/387.8
2008/0047759 A1 *	2/2008	Koch	B23B 51/02 175/426

* cited by examiner

Primary Examiner — Richard E Chilcot

(74) *Attorney, Agent, or Firm* — McGlew and Tuttle, P.C.

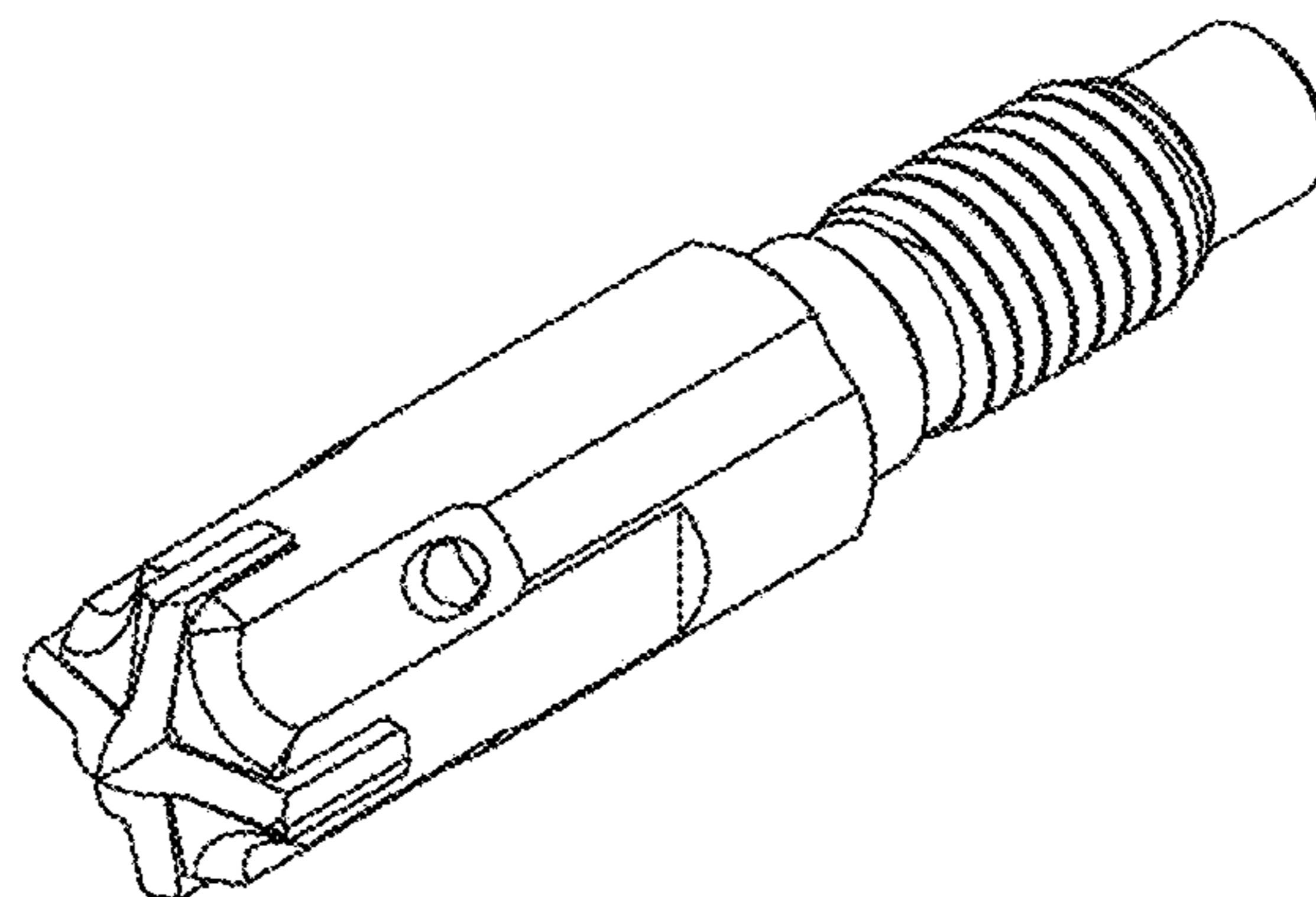
(57) **CLAIM**

The ornamental design for a drilling tool, as shown and described.

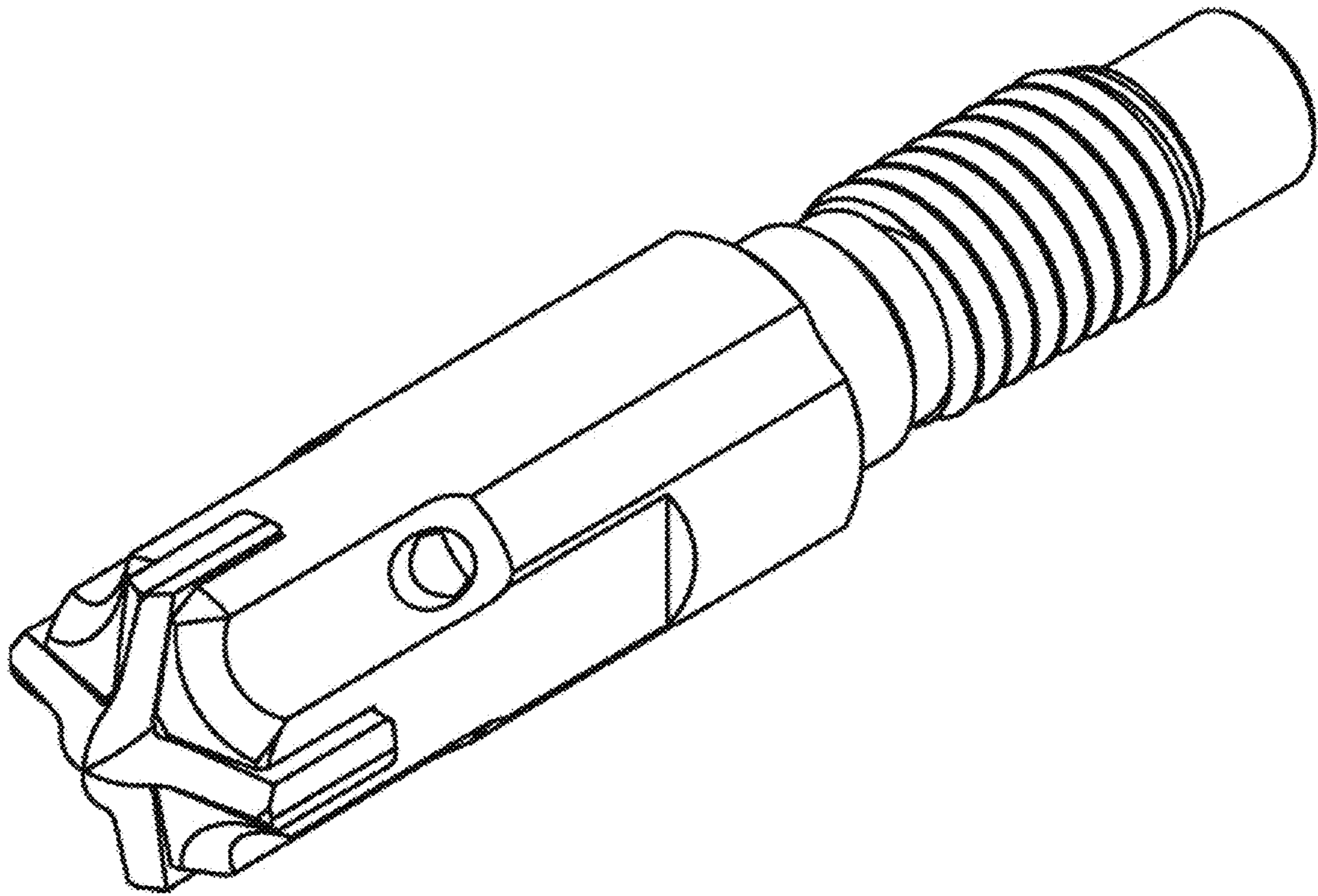
DESCRIPTION

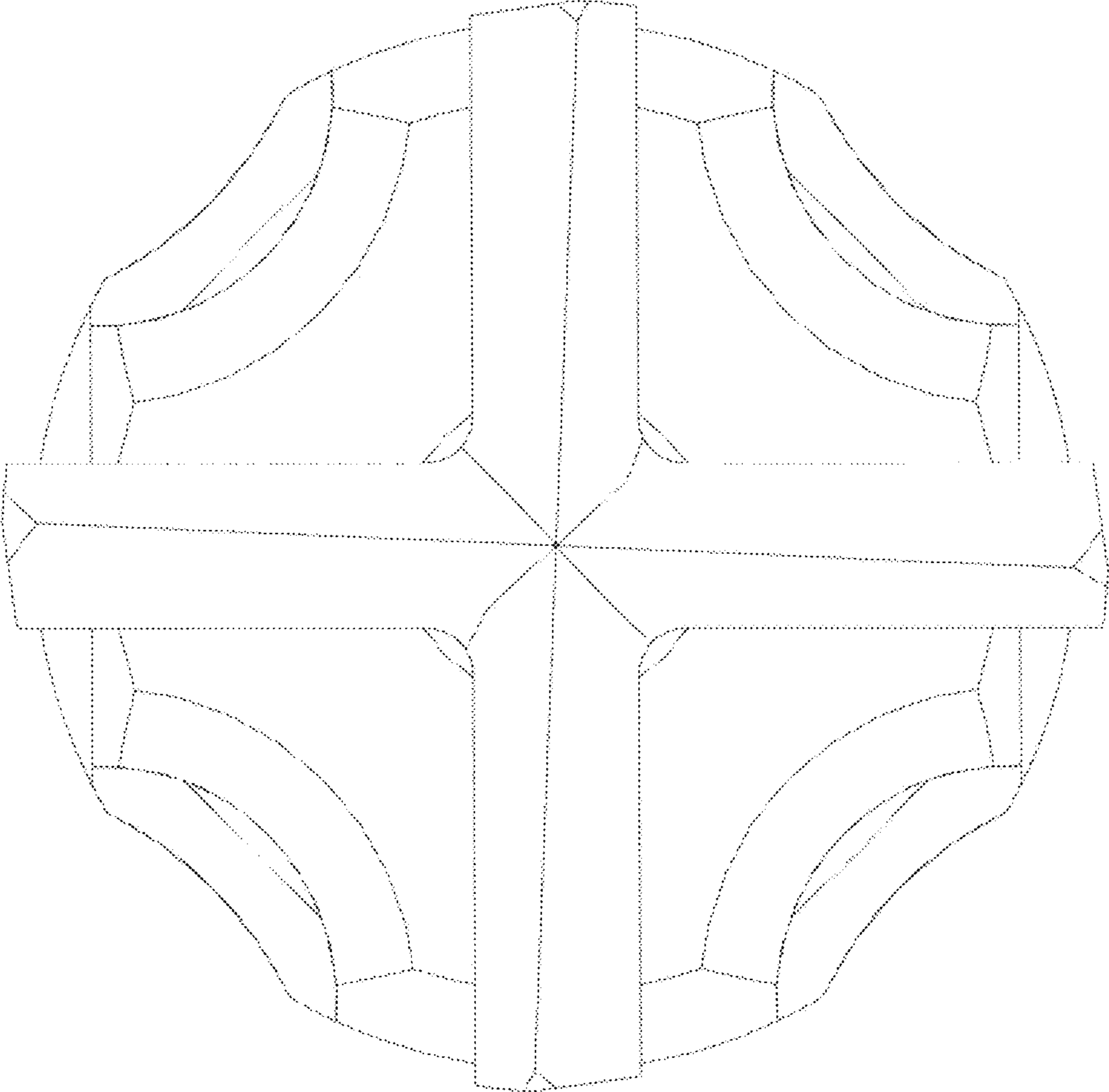
- 1. Drilling tool
- 1.1 : Perspective
- 1.2 : Front
- 1.3 : Back
- 1.4 : Left
- 1.5 : Top
- 1.6 : Right
- 1.7 : Bottom

1 Claim, 7 Drawing Sheets

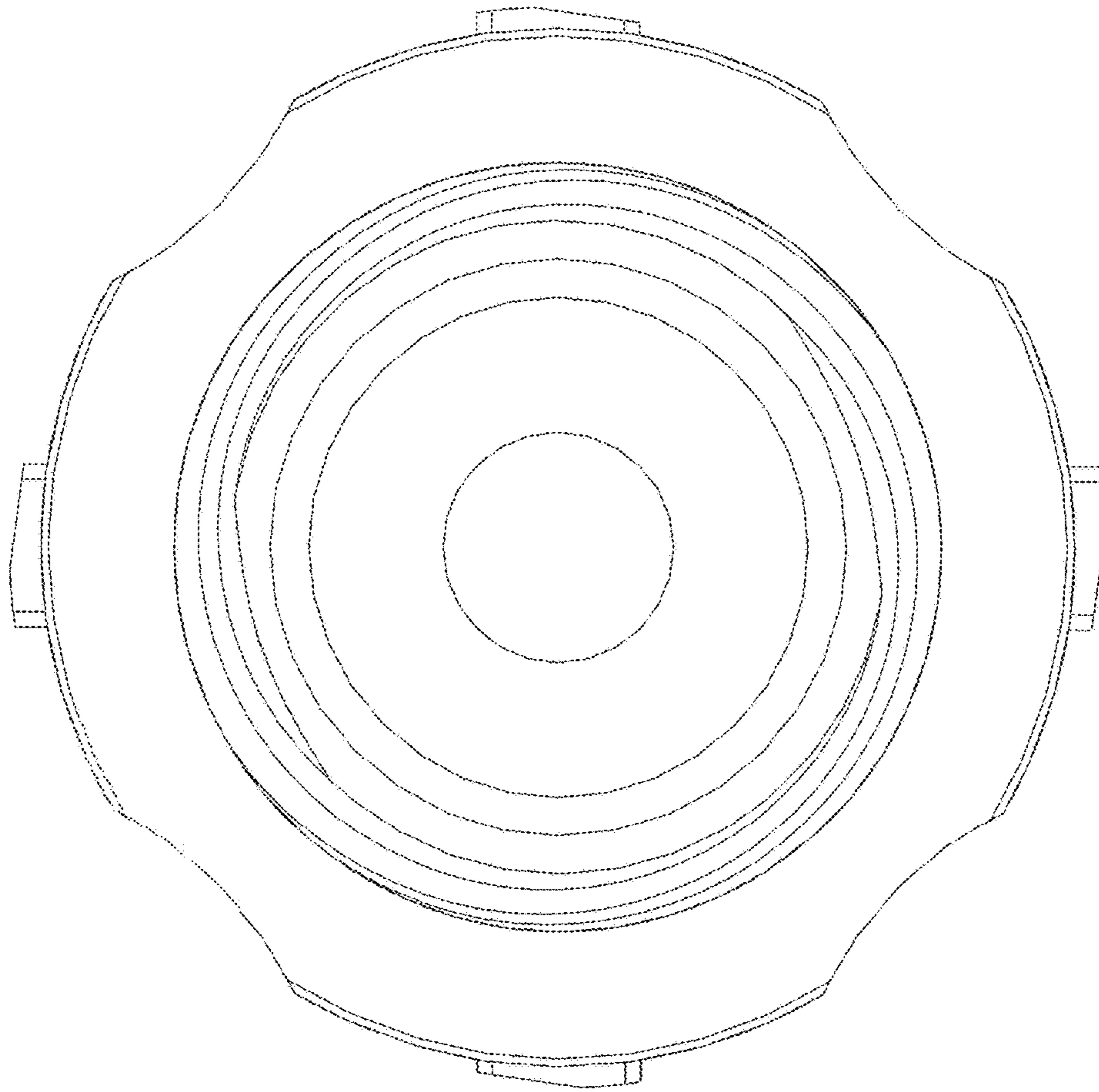


1.1



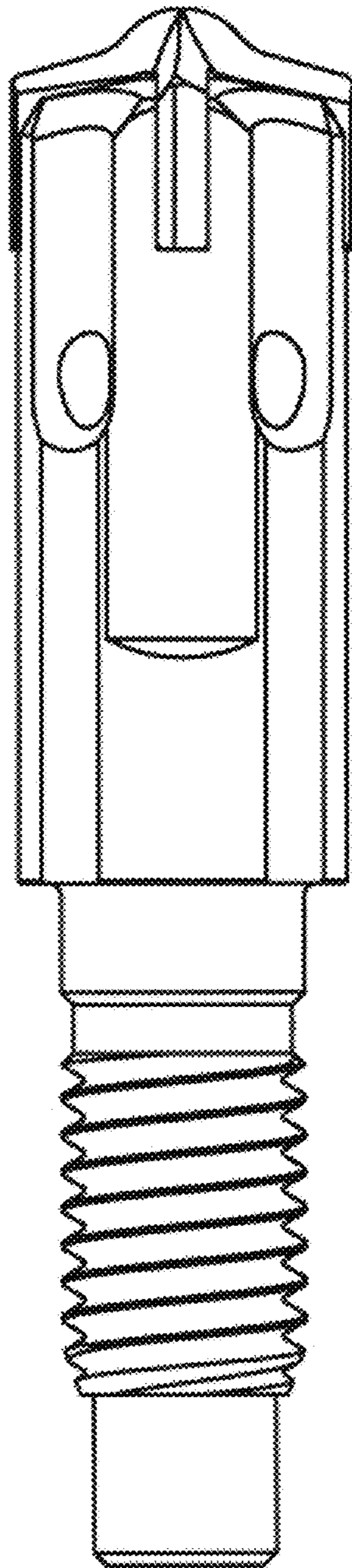


1.2

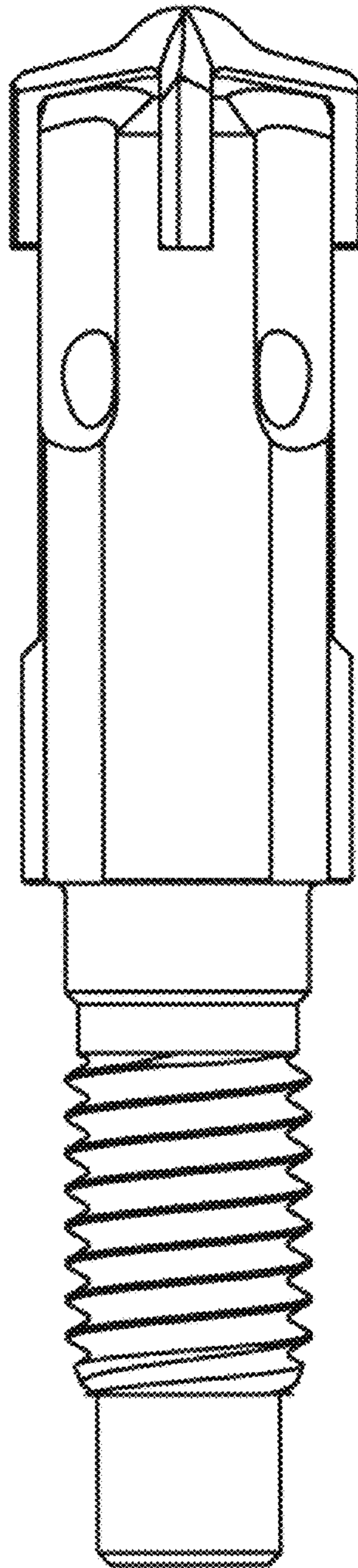


1.3

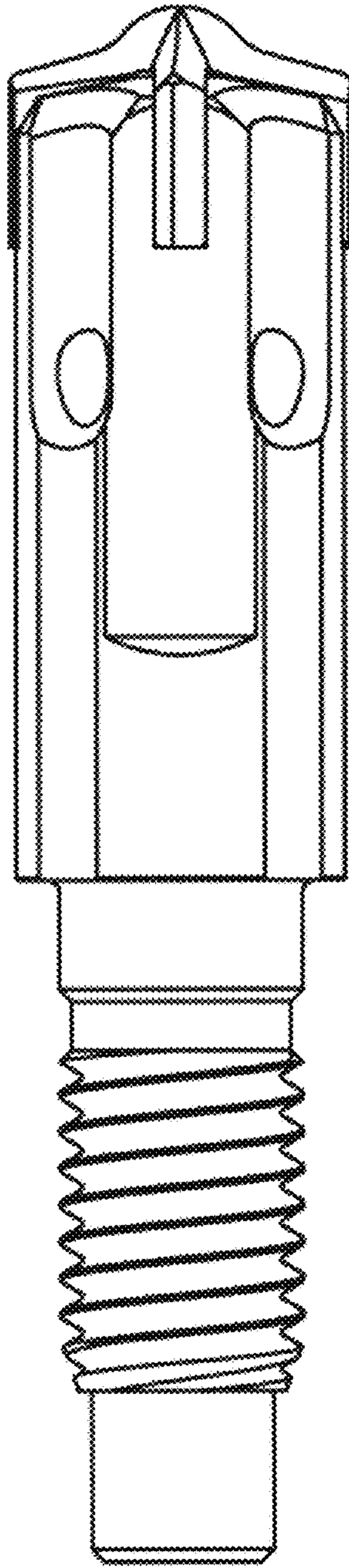
1.4



1.5



1.6



1.7

