



US00D857771S

(12) **United States Design Patent** (10) **Patent No.:** **US D857,771 S**
Maeda (45) **Date of Patent:** **** Aug. 27, 2019**

(54) **THROW-AWAY TIP FOR CUTTING TOOL**

FOREIGN PATENT DOCUMENTS

(71) Applicant: **SUMITOMO ELECTRIC SINTERED ALLOY, LTD.**,
Takahashi-shi (JP)

JP S62-024903 A 2/1987
JP H06-28806 B2 4/1994

(Continued)

(72) Inventor: **Kazuo Maeda**, Takahashi (JP)

OTHER PUBLICATIONS

(73) Assignee: **SUMITOMO ELECTRIC SINTERED ALLOY, LTD.**,
Takahashi-shi (JP)

Notice in Japanese Design Application No. 2015-024129, dated May 9, 2016. [Cited in Parent].

(Continued)

(**) Term: **15 Years**

Primary Examiner — Patricia A Palasik

(21) Appl. No.: **29/664,537**

(74) *Attorney, Agent, or Firm* — Baker Botts LLP;
Michael A. Sartori

(22) Filed: **Sep. 26, 2018**

(57) **CLAIM**

The ornamental design for a throw-away tip for cutting tool, as shown and described.

Related U.S. Application Data

DESCRIPTION

(62) Division of application No. 29/562,726, filed on Apr. 28, 2016, now Pat. No. Des. 842,909.

FIG. 1 is a front view of a first embodiment of a throw-away tip for cutting tool showing my new design;

(30) **Foreign Application Priority Data**

Oct. 29, 2015 (JP) 2015-024129
Oct. 29, 2015 (JP) 2015-024130

(Continued)

FIG. 2 is a rear view thereof;

FIG. 3 is a top view thereof;

FIG. 4 is a bottom view thereof;

FIG. 5 is a right side view thereof;

FIG. 6 is a left side view thereof;

FIG. 7 is a first perspective view thereof;

FIG. 8 is a second perspective view thereof;

FIG. 9 is a side view seen in the direction of arrow IX of FIG. 1;

FIG. 10 is a cross sectional view taken along line X-X of FIG. 1;

FIG. 11 is a front view of a second embodiment of a throw-away tip for cutting tool showing my new design;

FIG. 12 is a rear view thereof;

FIG. 13 is a top view thereof;

FIG. 14 is a bottom view thereof;

FIG. 15 is a right side view thereof;

FIG. 16 is a left side view thereof;

FIG. 17 is a first perspective view thereof;

FIG. 18 is a second perspective view thereof;

(Continued)

(51) **LOC (12) Cl.** **15-09**

(52) **U.S. Cl.**
USPC **D15/139**

(58) **Field of Classification Search**
USPC D8/20, 70; D15/126, 131, 138, 139, 140
(Continued)

(56) **References Cited**

U.S. PATENT DOCUMENTS

D271,497 S 11/1983 Green
4,507,023 A 3/1985 Shikata

(Continued)

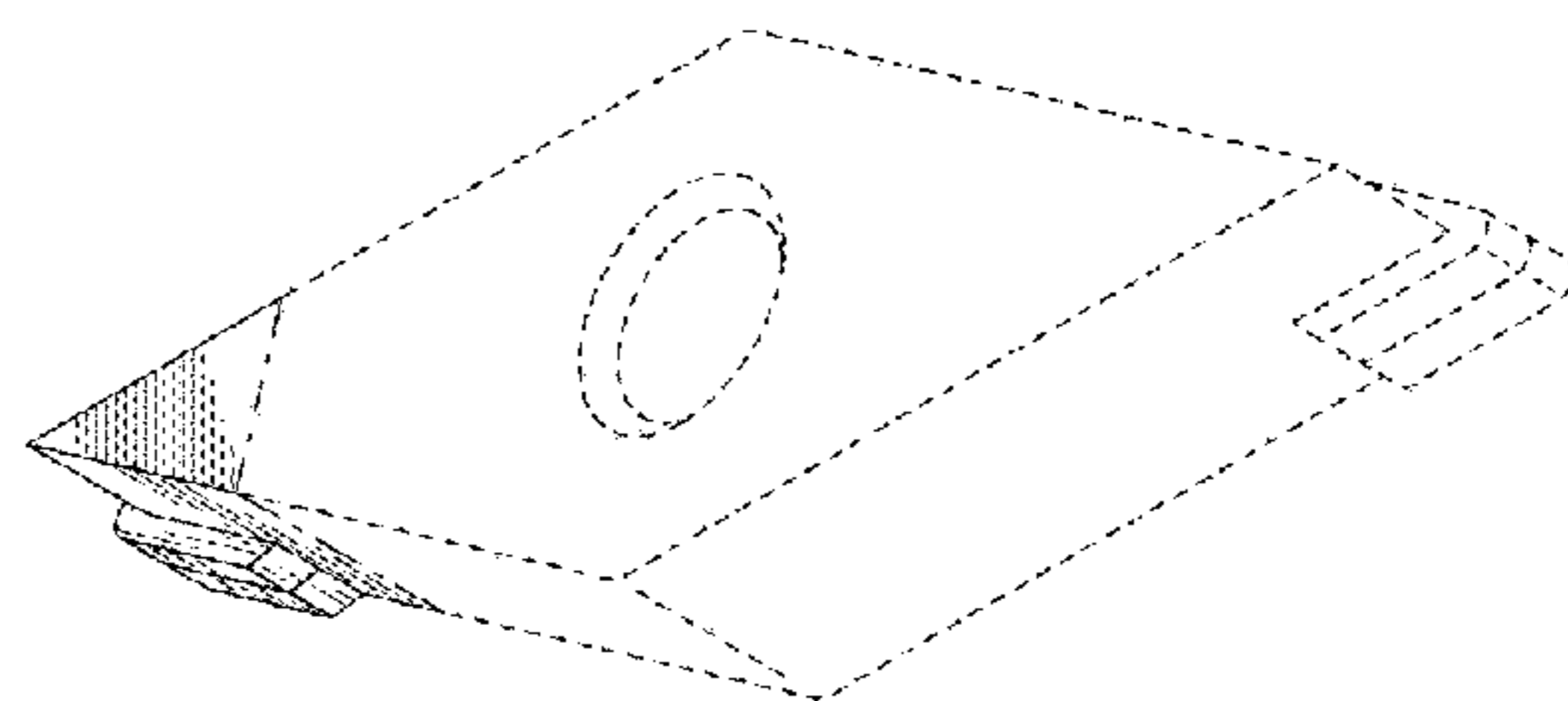
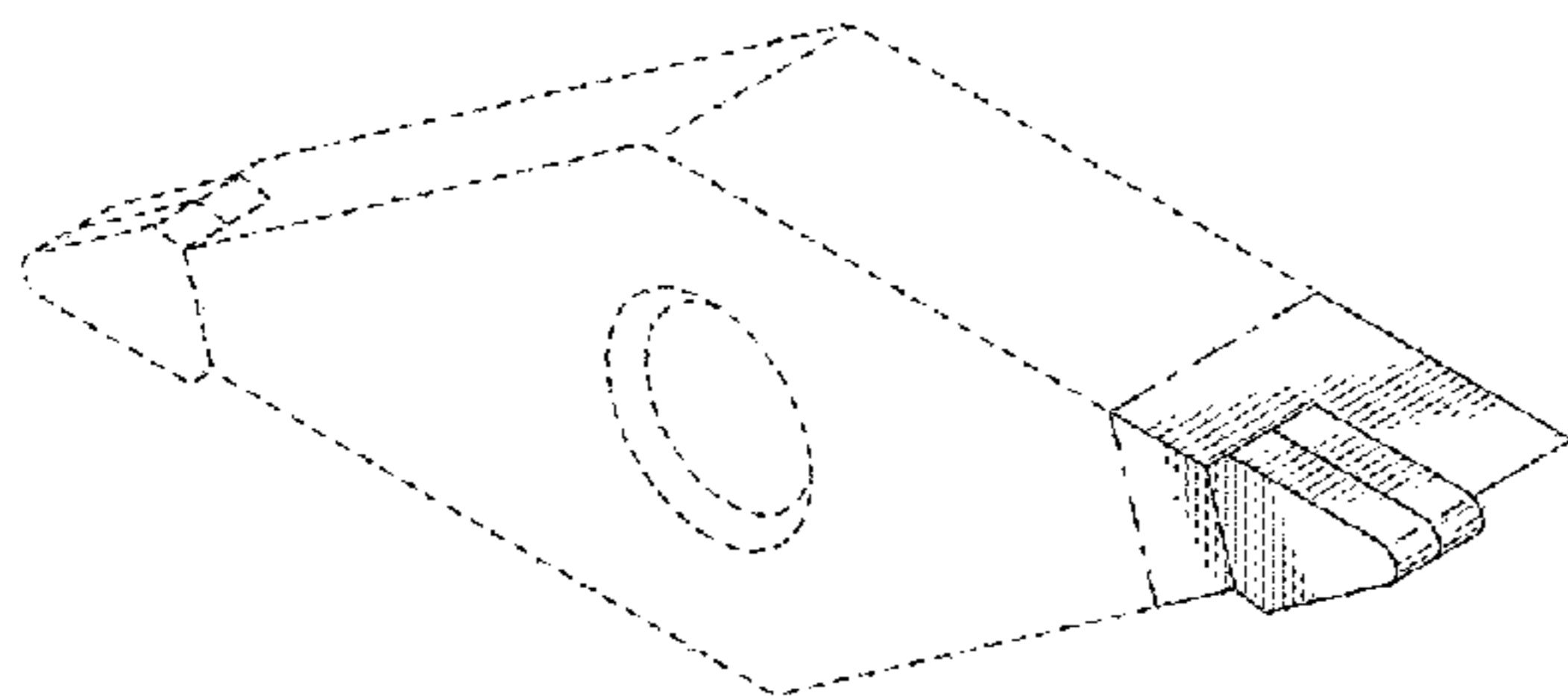


FIG. 19 is a side view seen in the direction of arrow XIX of FIG. 11;
 FIG. 20 is a cross sectional view taken along line XX-XX of FIG. 11; and,
 FIG. 21 is a referential view showing the state in which a workpiece is machined with the throw-away tip for cutting tool according to the first or second embodiment attached to a holder.
 The broken lines in the drawings depict unclaimed environmental subject matter. The long dashed and short dashed lines shown in the drawings indicate only a boundary between the claimed portion and the unclaimed portion.

1 Claim, 8 Drawing Sheets

D475,723	S	6/2003	Sikstrom et al.	
D475,724	S	6/2003	Sikstrom et al.	
D475,725	S	6/2003	Sikstrom et al.	
D476,019	S	6/2003	Sikstrom et al.	
D541,321	S	4/2007	Sjoo et al.	
D595,322	S	6/2009	Sakata et al.	
D595,323	S	6/2009	Sakata et al.	
D595,751	S	7/2009	Sakata et al.	
D664,168	S	7/2012	Okamura et al.	
D787,578	S	5/2017	Watanobe et al.	
D841,704	S *	2/2019	Maeda	D15/139
D842,909	S *	3/2019	Maeda	D15/139
2002/0146292	A1	10/2002	Shimizu	
2004/0234349	A1 *	11/2004	Ueda	B23B 27/145 407/113
2007/0280790	A1	12/2007	Kovac	
2010/0272525	A1	10/2010	Corbin	
2011/0299948	A1	12/2011	Edler et al.	
2016/0361767	A1 *	12/2016	Ikeda	B23B 27/141

(30) **Foreign Application Priority Data**

Oct. 29, 2015	(JP)	2015-024131
Oct. 29, 2015	(JP)	2015-024132
Oct. 29, 2015	(JP)	2015-024133
Oct. 29, 2015	(JP)	2015-024134
Oct. 29, 2015	(JP)	2015-024135
Oct. 29, 2015	(JP)	2015-024136
Oct. 29, 2015	(JP)	2015-024137
Oct. 29, 2015	(JP)	2015-024138

(58) **Field of Classification Search**
 CPC B23C 5/109; B23C 5/207
 See application file for complete search history.

(56) **References Cited**

U.S. PATENT DOCUMENTS

6,155,755	A	12/2000	Kanada et al.
D475,376	S	6/2003	Sikstrom et al.
D475,377	S	6/2003	Sikstrom et al.
D475,379	S	6/2003	Sikstrom et al.

FOREIGN PATENT DOCUMENTS

JP	H10-166206	A	6/1998
JP	H11-320219	A	11/1999
JP	D1405583		1/2011
JP	D1419424		7/2011
JP	D1431524		1/2012

OTHER PUBLICATIONS

Notice in Japanese Design Application No. 2015-024130, dated May 9, 2016. [Cited in Parent].
 Notice in Japanese Design Application No. 2015-024131, dated May 9, 2016. [Cited in Parent].
 Notice in Japanese Design Application No. 2015-024132, dated May 9, 2016. [Cited in Parent].
 Notice in Japanese Design Application No. 2015-024134, dated May 9, 2016. [Cited in Parent].
 Notice in Japanese Design Application No. 2015-024136, dated May 9, 2016. [Cited in Parent].
 Notice in Japanese Design Application No. 2015-024137, dated May 9, 2016. [Cited in Parent].

* cited by examiner

FIG.1

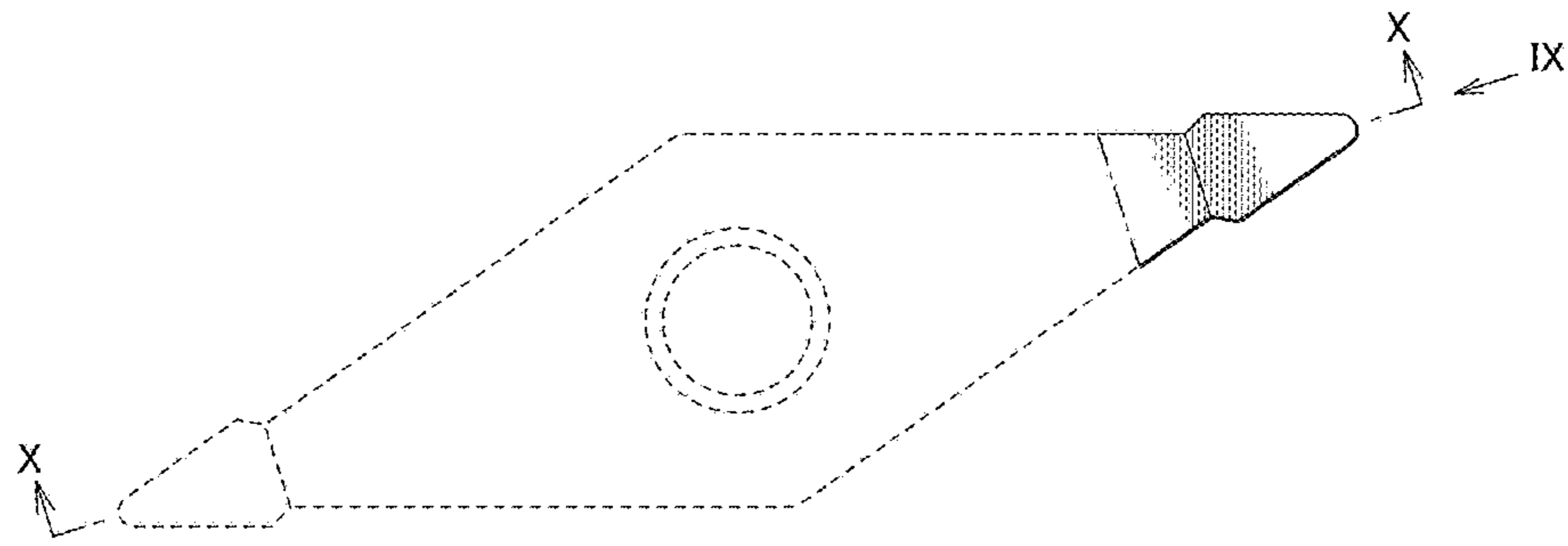


FIG.2

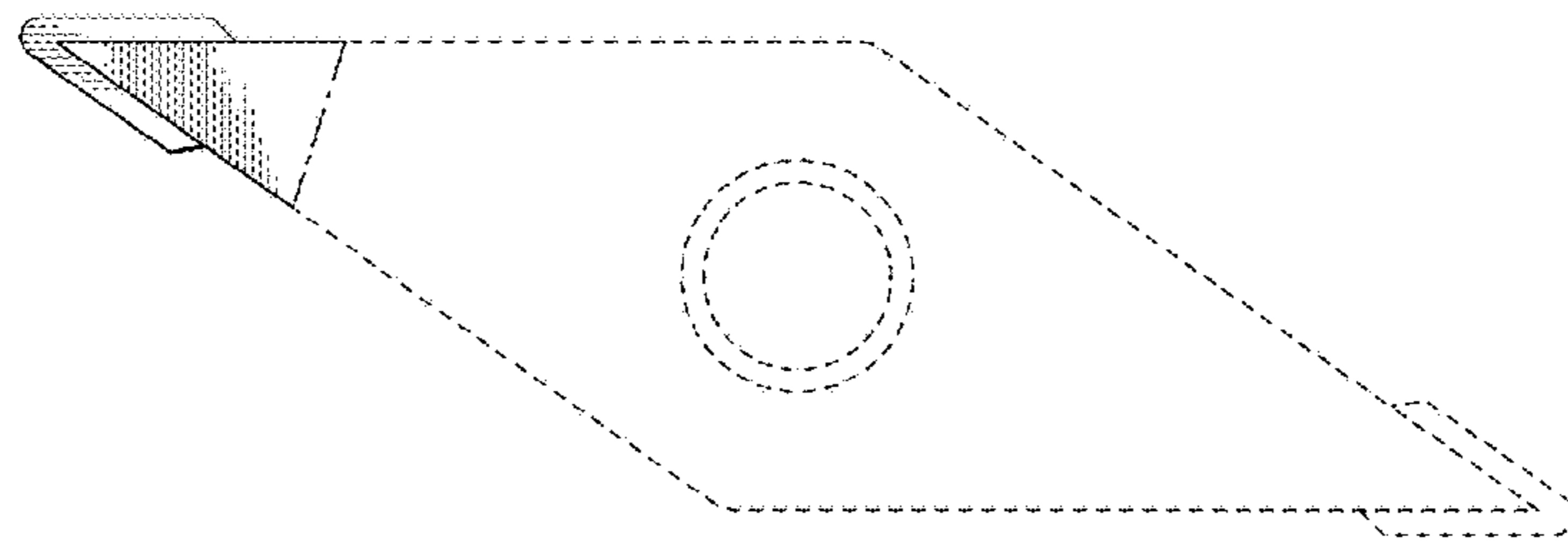


FIG.3



FIG.4



FIG.5

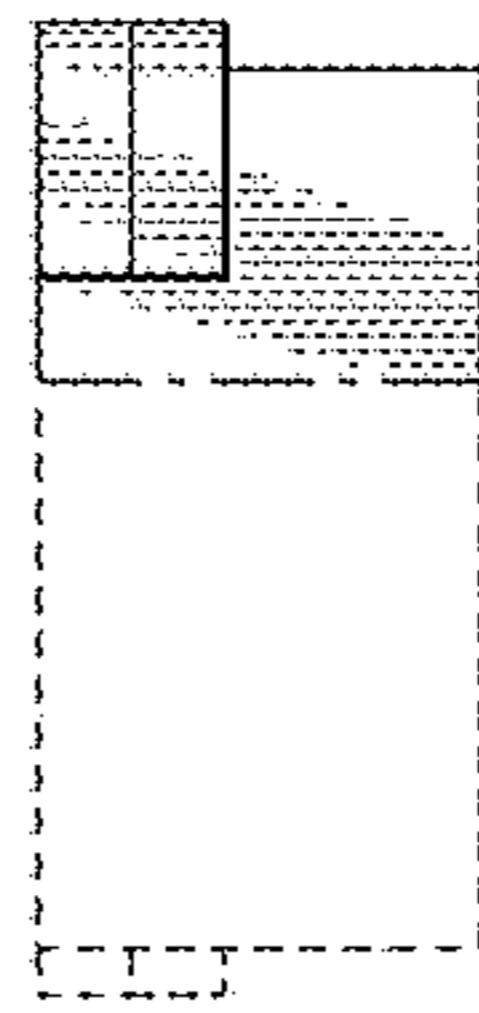


FIG.6

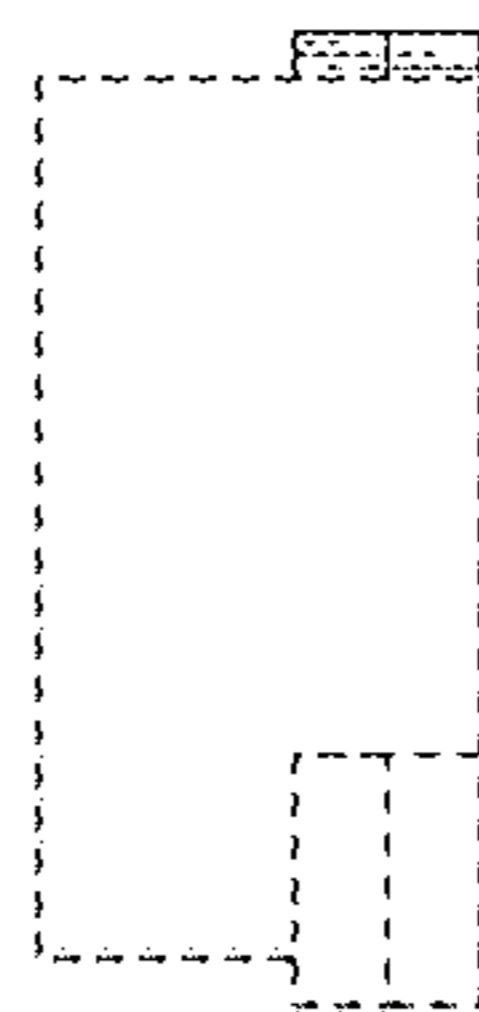


FIG.7

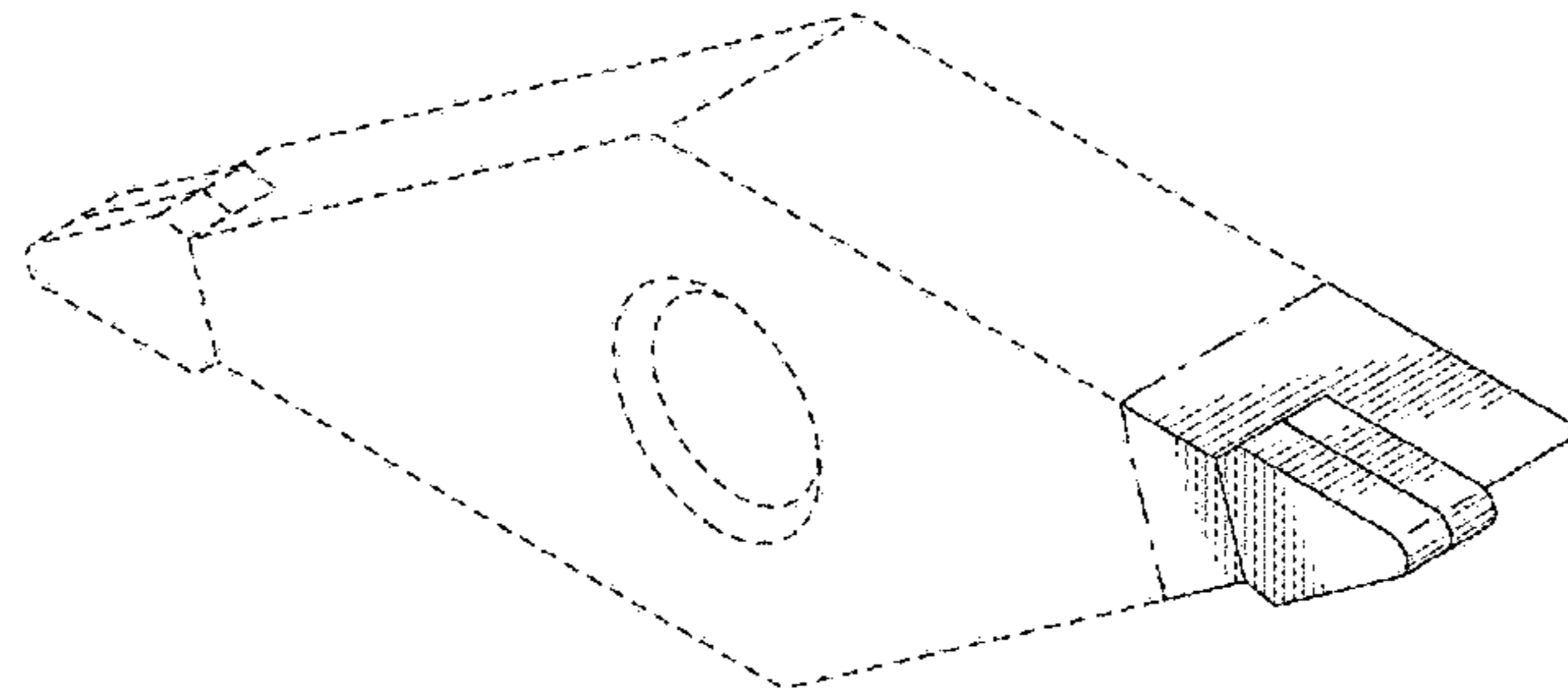


FIG.8

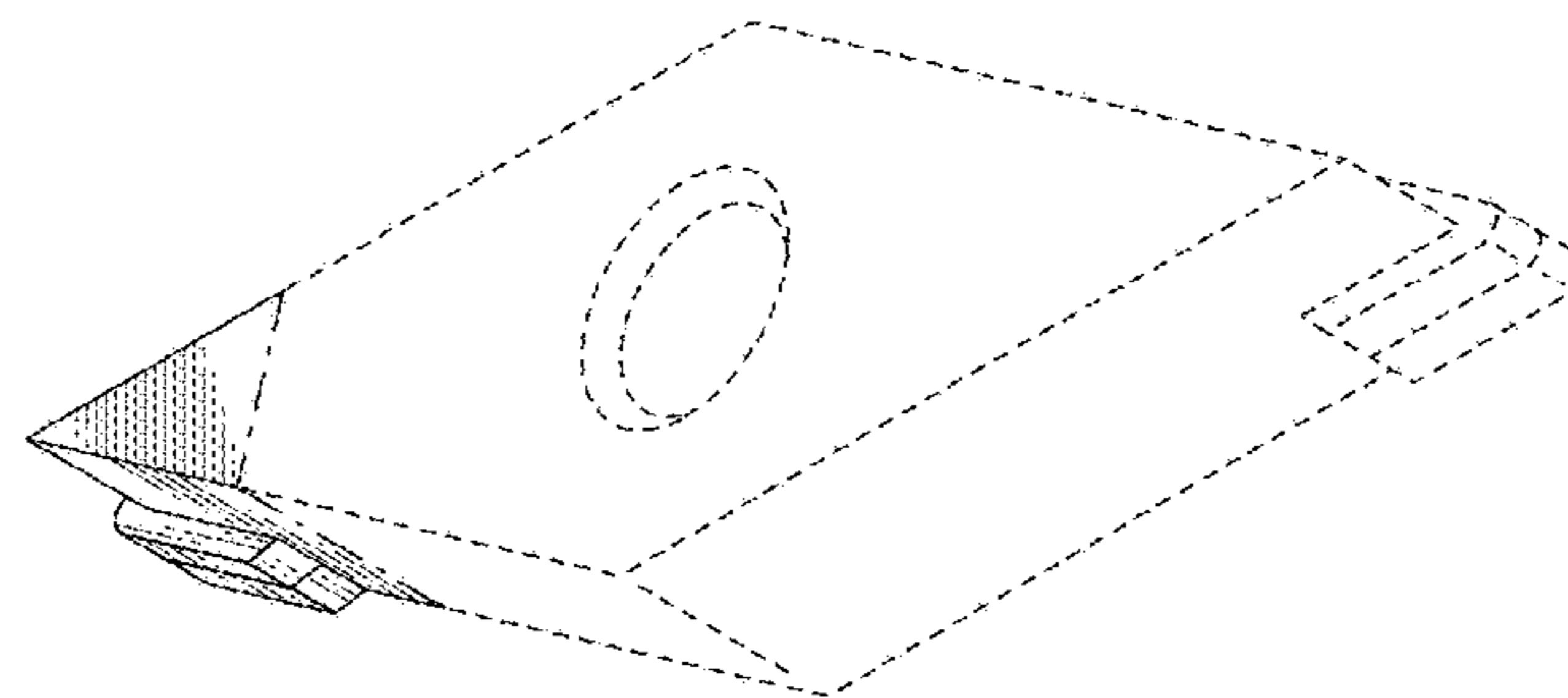


FIG.9

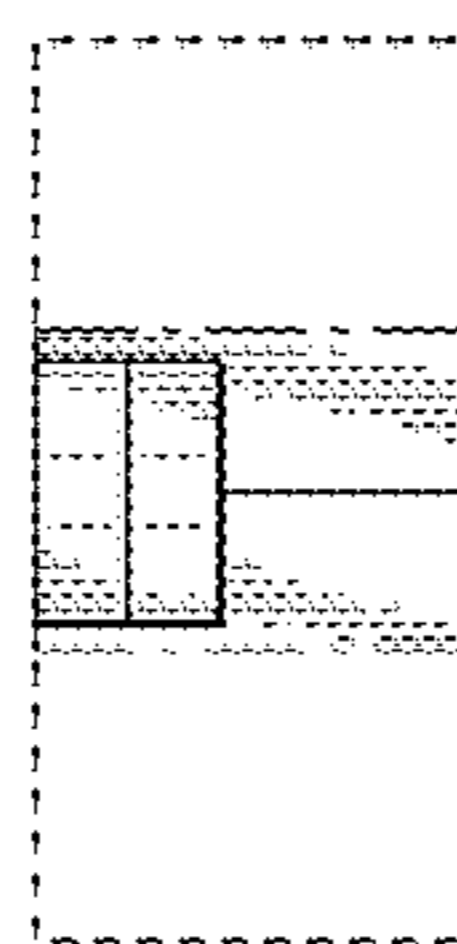


FIG.10

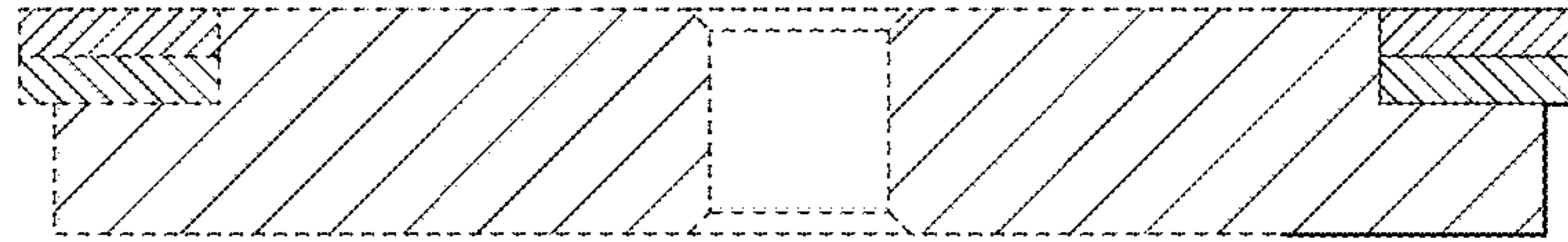


FIG.11

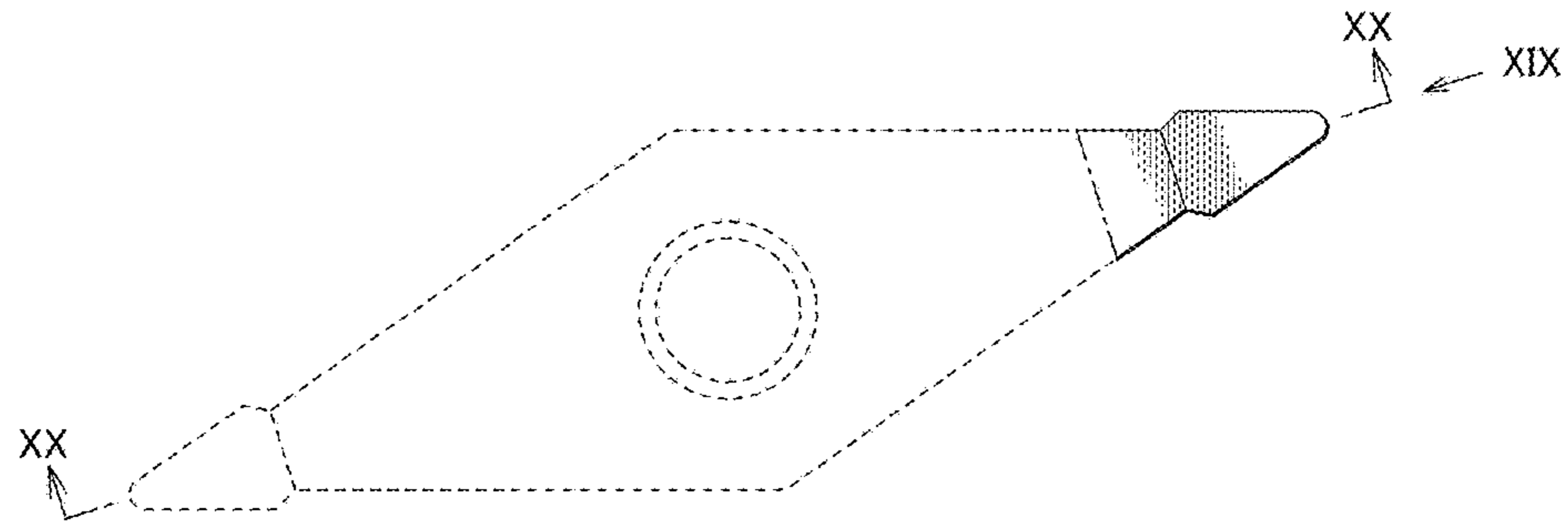


FIG.12

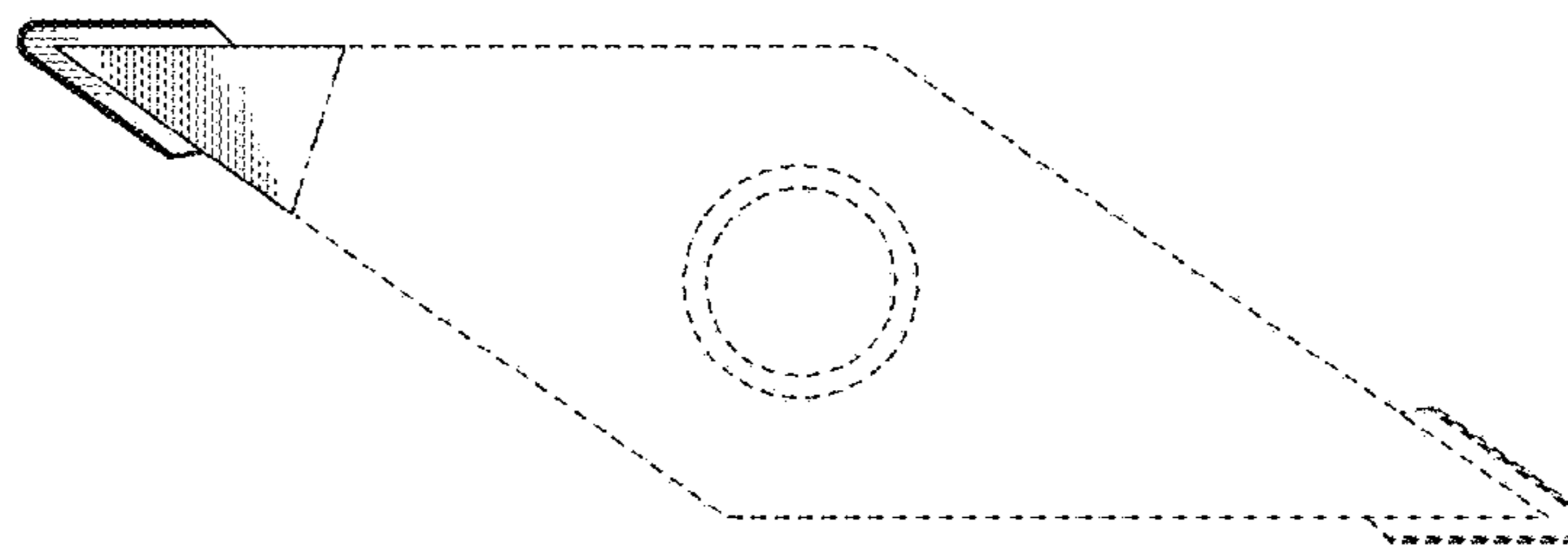


FIG.13



FIG.14



FIG.15

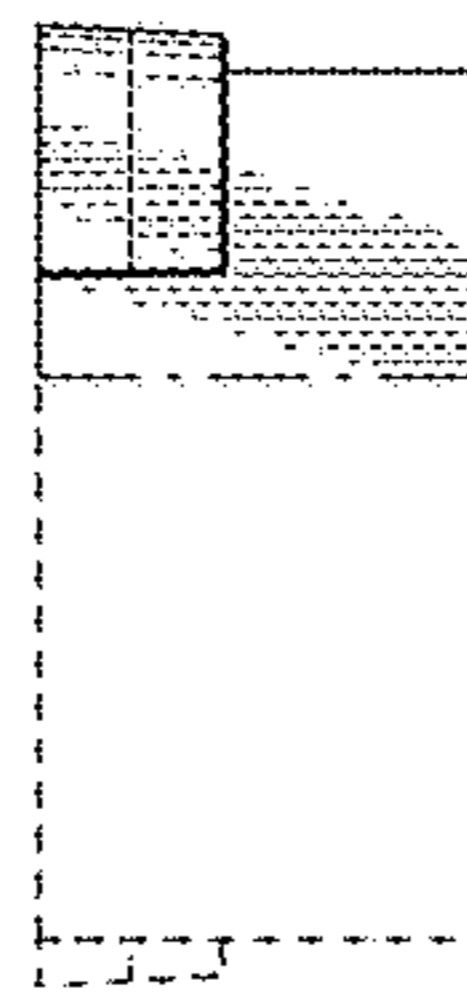


FIG.16

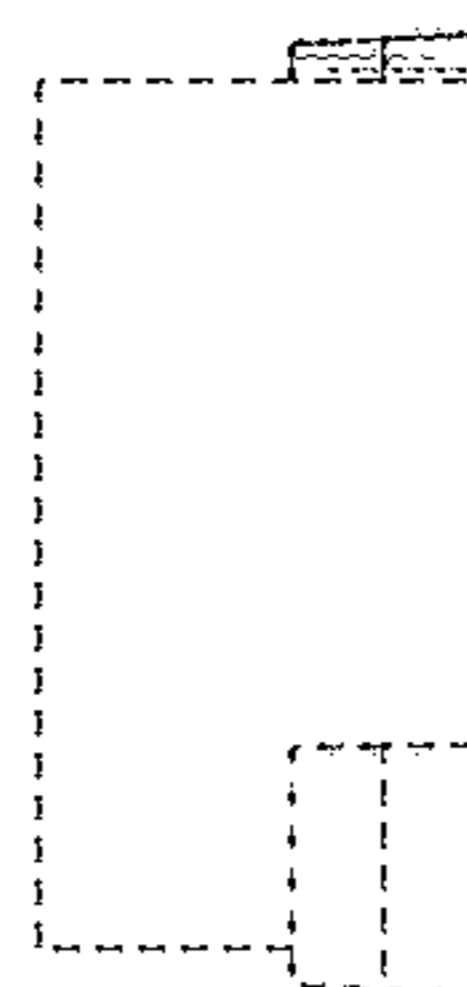


FIG.17

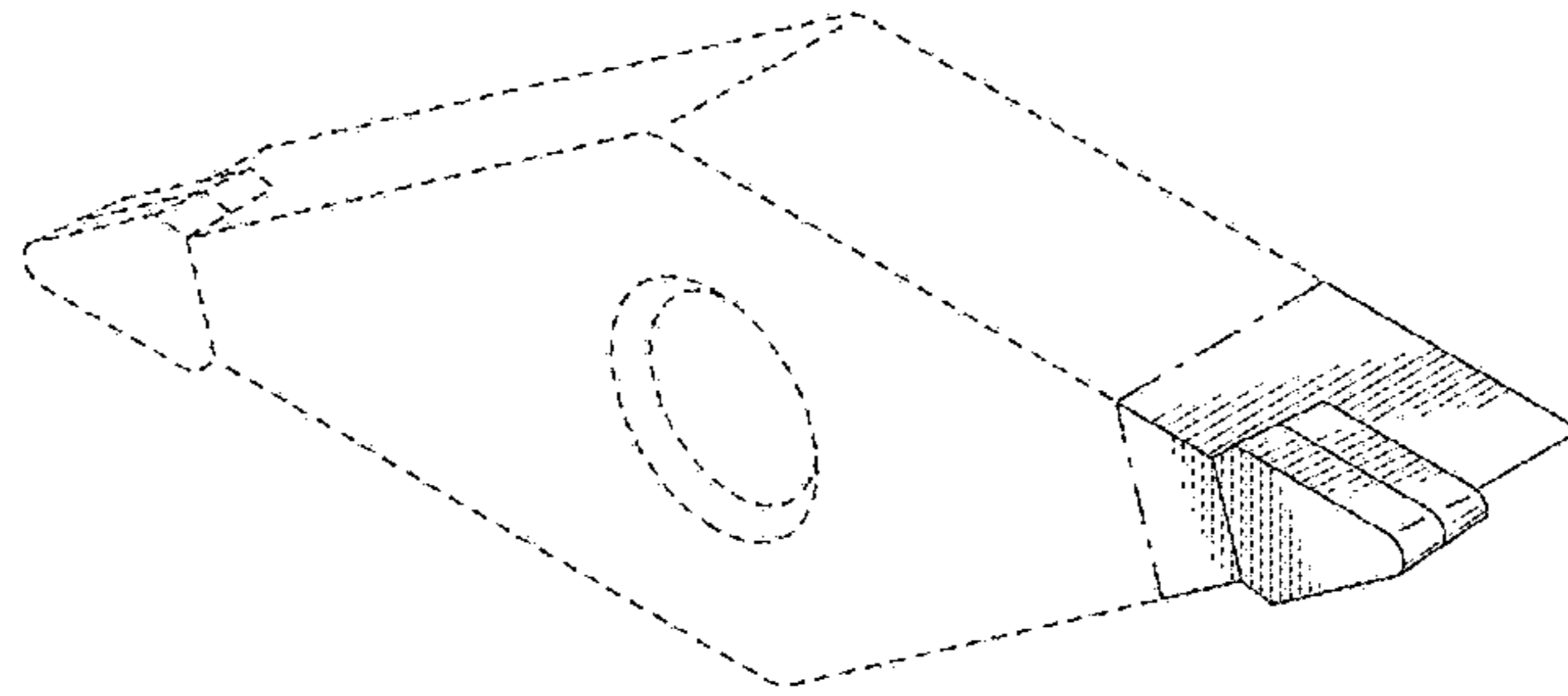


FIG.18

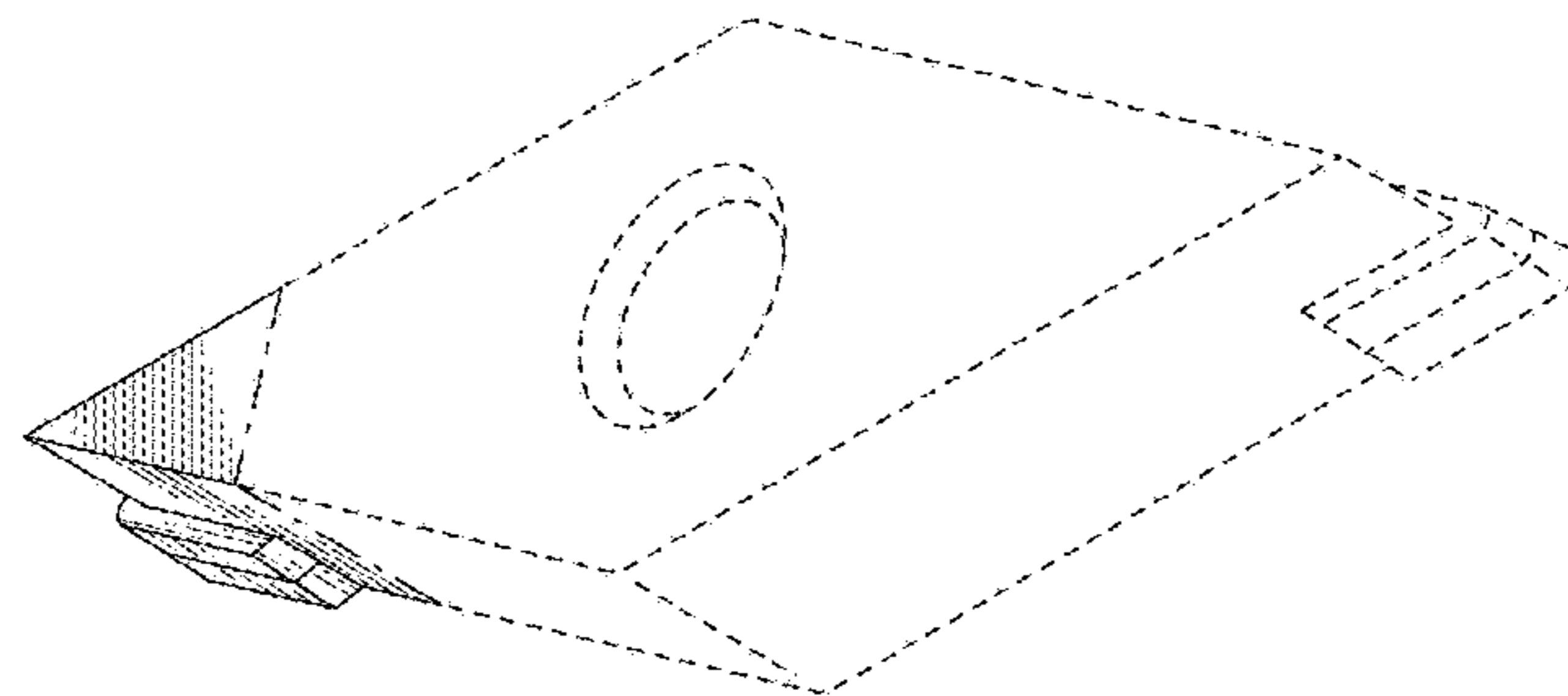


FIG.19

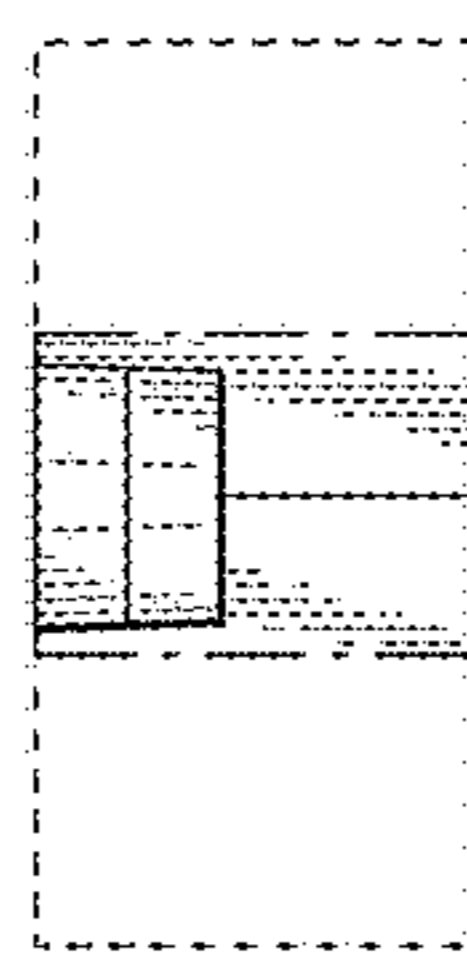


FIG.20

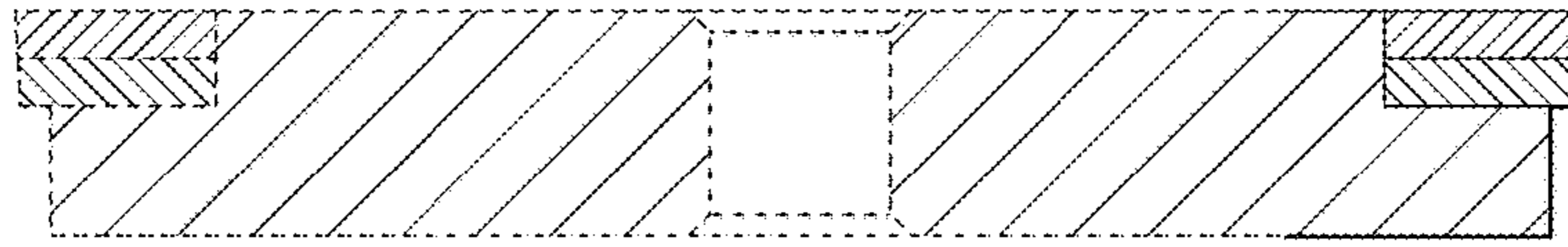


FIG.21

