



US00D857769S

(12) **United States Design Patent**  
**Maeda**

(10) **Patent No.:** **US D857,769 S**  
(45) **Date of Patent:** **\*\* Aug. 27, 2019**

(54) **THROW-AWAY TIP FOR CUTTING TOOL**

FOREIGN PATENT DOCUMENTS

(71) Applicant: **SUMITOMO ELECTRIC  
SINTERED ALLOY, LTD.,**  
Takahashi-shi (JP)

JP S62-024903 A 2/1987  
JP H06-28806 B2 4/1994  
(Continued)

(72) Inventor: **Kazuo Maeda,** Takahashi (JP)

OTHER PUBLICATIONS

(73) Assignee: **SUMITOMO ELECTRIC  
SINTERED ALLOY, LTD.,**  
Takahashi-shi (JP)

Notice in Japanese Design Application No. 2015-024129, dated  
May 9, 2016.

(Continued)

(\*\*) Term: **15 Years**

*Primary Examiner* — Patricia A Palasik  
(74) *Attorney, Agent, or Firm* — Baker Botts LLP;  
Michael A. Sartori

(21) Appl. No.: **29/664,516**

(57) **CLAIM**

(22) Filed: **Sep. 26, 2018**

The ornamental design for a throw-away tip for cutting tool,  
as shown and described.

**Related U.S. Application Data**

**DESCRIPTION**

(63) Continuation of application No. 29/562,726, filed on  
Apr. 28, 2016, now Pat. No. Des. 842,909.

FIG. 1 is a front view of a first embodiment of a throw-away  
tip for cutting tool showing my new design;  
FIG. 2 is a rear view thereof;  
FIG. 3 is a top view thereof;  
FIG. 4 is a bottom view thereof;  
FIG. 5 is a right side view thereof;  
FIG. 6 is a left side view thereof;  
FIG. 7 is a first perspective view thereof;  
FIG. 8 is a second perspective view thereof;  
FIG. 9 is a side view seen in the direction of arrow IX of  
FIG. 1;  
FIG. 10 is a cross sectional view taken along line X-X of  
FIG. 1;  
FIG. 11 is a front view of a second embodiment of a  
throw-away tip for cutting tool showing my new design;  
FIG. 12 is a rear view thereof;  
FIG. 13 is a top view thereof;  
FIG. 14 is a bottom view thereof;  
FIG. 15 is a right side view thereof;  
FIG. 16 is a left side view thereof;  
FIG. 17 is a first perspective view thereof;  
FIG. 18 is a second perspective view thereof;

(30) **Foreign Application Priority Data**

Oct. 29, 2015 (JP) ..... 2015-024129  
Oct. 29, 2015 (JP) ..... 2015-024130  
(Continued)

(Continued)

(51) **LOC (12) Cl.** ..... **15-09**

(52) **U.S. Cl.**  
USPC ..... **D15/139**

(58) **Field of Classification Search**  
USPC ..... D8/20, 70; D15/126, 131, 138, 139, 140  
(Continued)

(56) **References Cited**

**U.S. PATENT DOCUMENTS**

D271,497 S 11/1983 Green  
4,507,023 A 3/1985 Shikata  
(Continued)

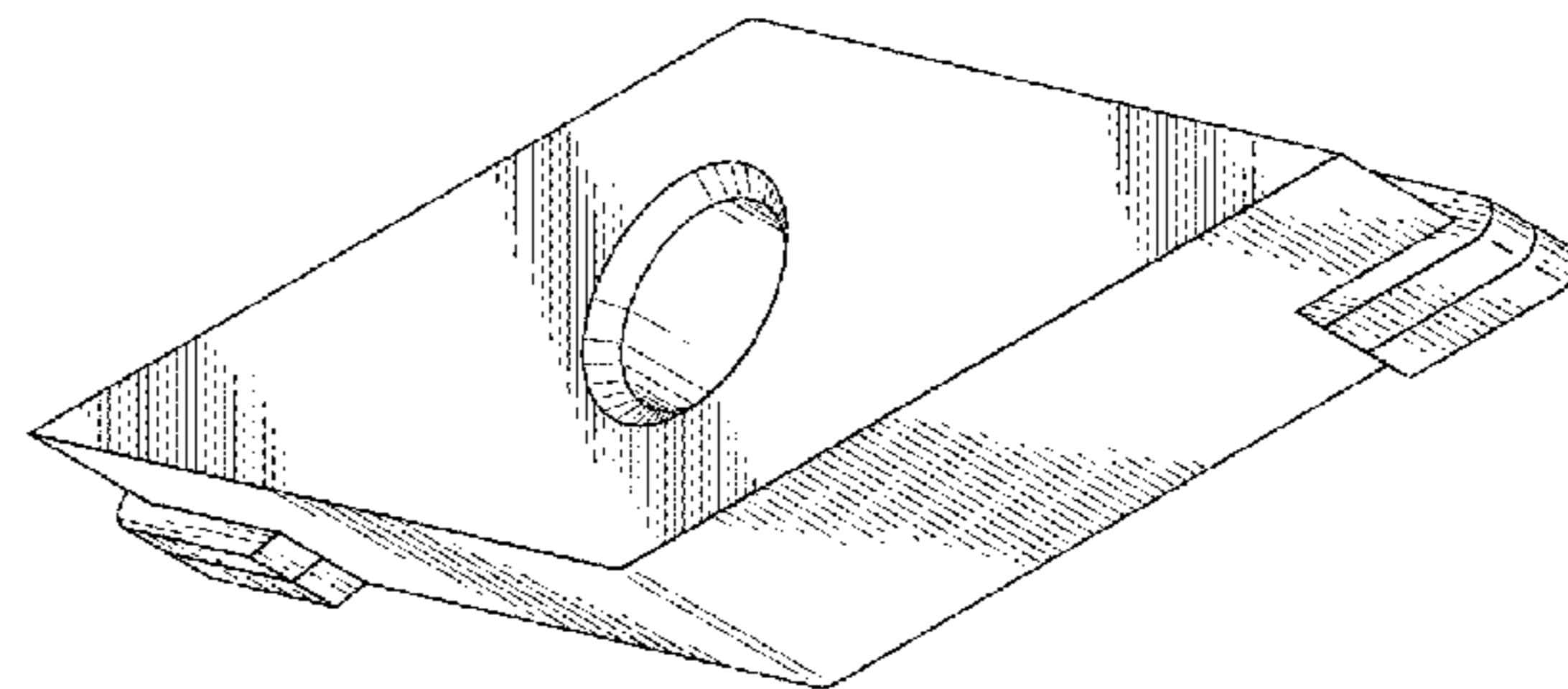
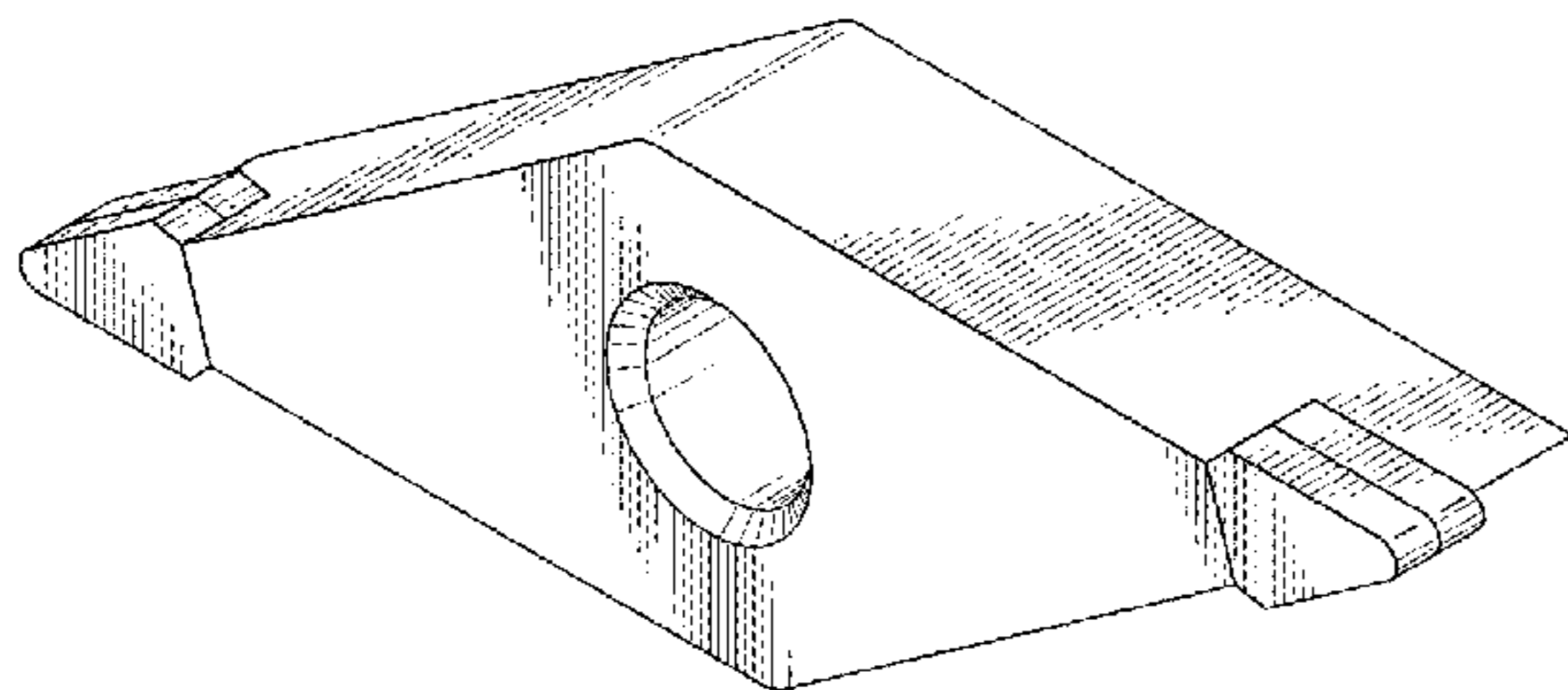


FIG. 19 is a side view seen in the direction of arrow XIX of FIG. 11;  
 FIG. 20 is a cross sectional view taken along line XX-XX of FIG. 11; and,  
 FIG. 21 is a referential view showing the state in which a workpiece is machined with the throw-away tip for cutting tool according to the first or second embodiment attached to a holder.  
 The broken lines in the drawings depict unclaimed environmental subject matter.

**1 Claim, 8 Drawing Sheets**

D475,725 S	6/2003	Sikstrom et al.	
D476,019 S	6/2003	Sikstrom et al.	
D541,321 S	4/2007	Sjoo et al.	
D595,322 S	6/2009	Sakata et al.	
D595,323 S	6/2009	Sakata et al.	
D595,751 S	7/2009	Sakata et al.	
D664,168 S	7/2012	Okamura et al.	
D787,578 S	5/2017	Watanobe et al.	
D841,704 S *	2/2019	Maeda .....	D15/139
D842,909 S *	3/2019	Maeda .....	D15/139
2002/0146292 A1	10/2002	Shimizu	
2004/0234349 A1 *	11/2004	Ueda .....	B23B 27/145 407/113
2007/0280790 A1	12/2007	Kovac	
2010/0272525 A1	10/2010	Corbin	
2011/0299948 A1	12/2011	Edler et al.	
2016/0361767 A1 *	12/2016	Ikeda .....	B23B 27/141

(30) **Foreign Application Priority Data**

Oct. 29, 2015	(JP)	.....	2015-024131
Oct. 29, 2015	(JP)	.....	2015-024132
Oct. 29, 2015	(JP)	.....	2015-024133
Oct. 29, 2015	(JP)	.....	2015-024134
Oct. 29, 2015	(JP)	.....	2015-024135
Oct. 29, 2015	(JP)	.....	2015-024136
Oct. 29, 2015	(JP)	.....	2015-024137
Oct. 29, 2015	(JP)	.....	2015-024138

(58) **Field of Classification Search**

CPC ..... B23C 5/109; B23C 5/207  
 See application file for complete search history.

(56) **References Cited**

U.S. PATENT DOCUMENTS

6,155,755 A	12/2000	Kanada et al.
D475,376 S	6/2003	Sikstrom et al.
D475,377 S	6/2003	Sikstrom et al.
D475,379 S	6/2003	Sikstrom et al.
D475,723 S	6/2003	Sikstrom et al.
D475,724 S	6/2003	Sikstrom et al.

FOREIGN PATENT DOCUMENTS

JP	H10-166206 A	6/1998
JP	H11-320219 A	11/1999
JP	D1405583	1/2011
JP	D1419424	7/2011
JP	D1431524	1/2012

OTHER PUBLICATIONS

Notice in Japanese Design Application No. 2015-024130, dated May 9, 2016.  
 Notice in Japanese Design Application No. 2015-024131, dated May 9, 2016.  
 Notice in Japanese Design Application No. 2015-024132, dated May 9, 2016.  
 Notice in Japanese Design Application No. 2015-024134, dated May 9, 2016.  
 Notice in Japanese Design Application No. 2015-024136, dated May 9, 2016.  
 Notice in Japanese Design Application No. 2015-024137, dated May 9, 2016.

\* cited by examiner

FIG.1

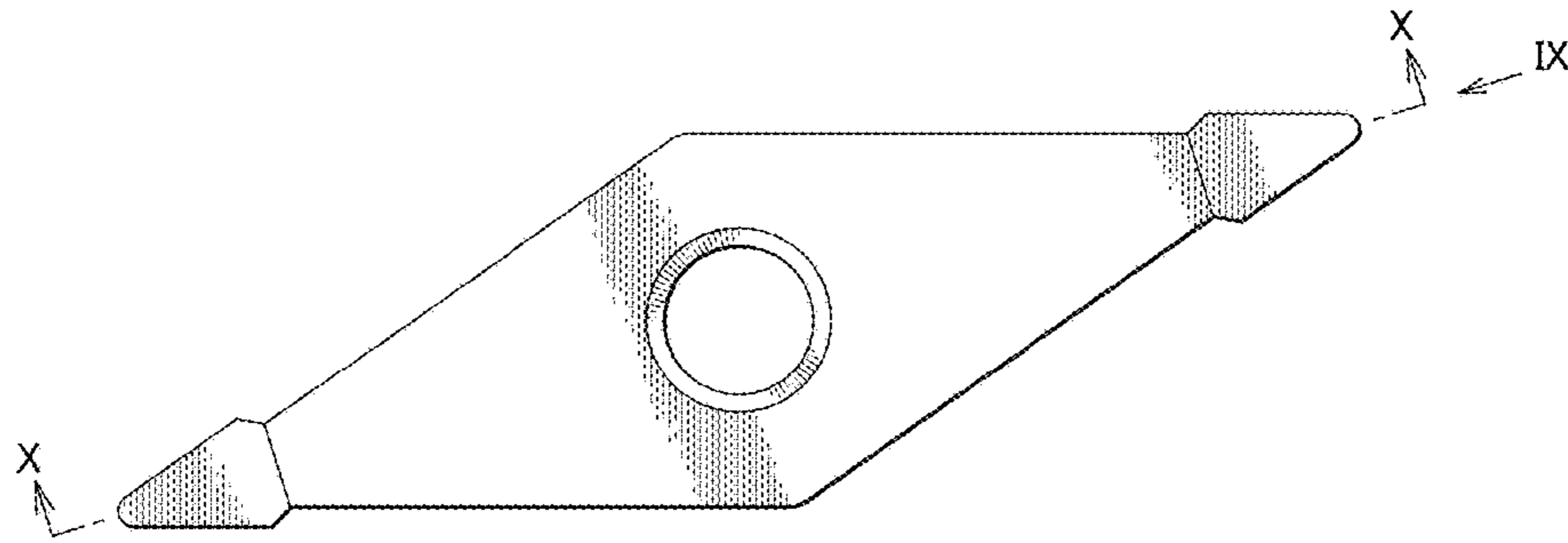


FIG.2

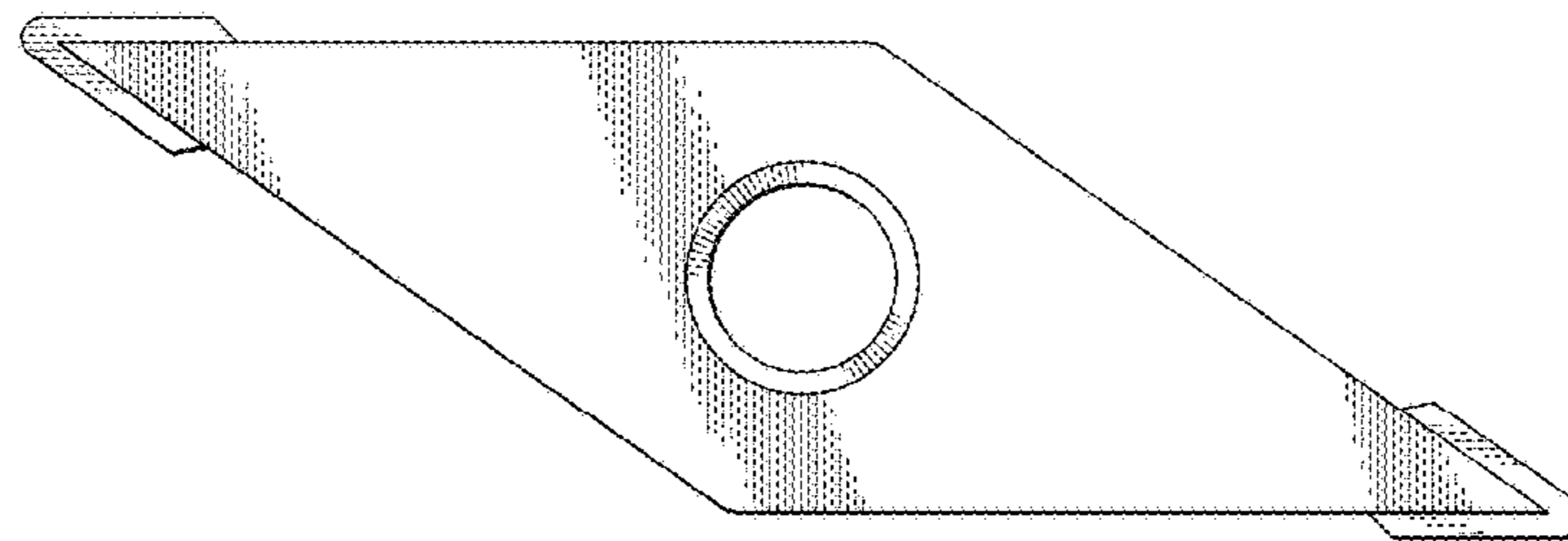


FIG.3

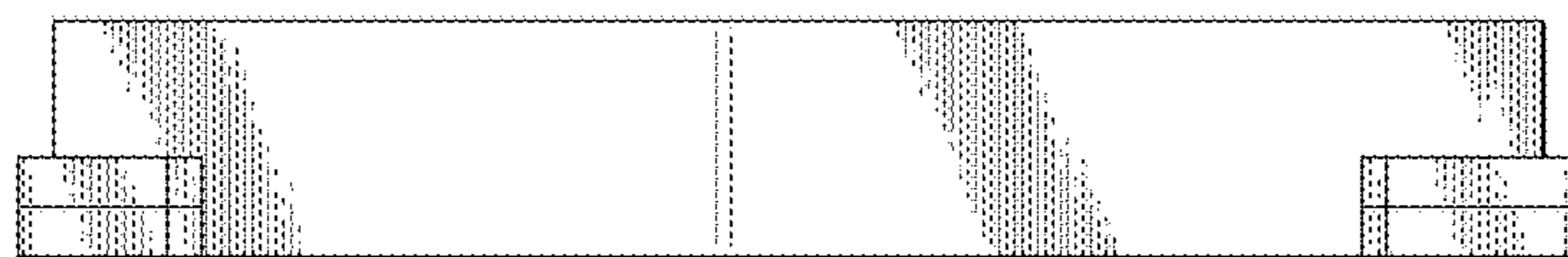


FIG.4

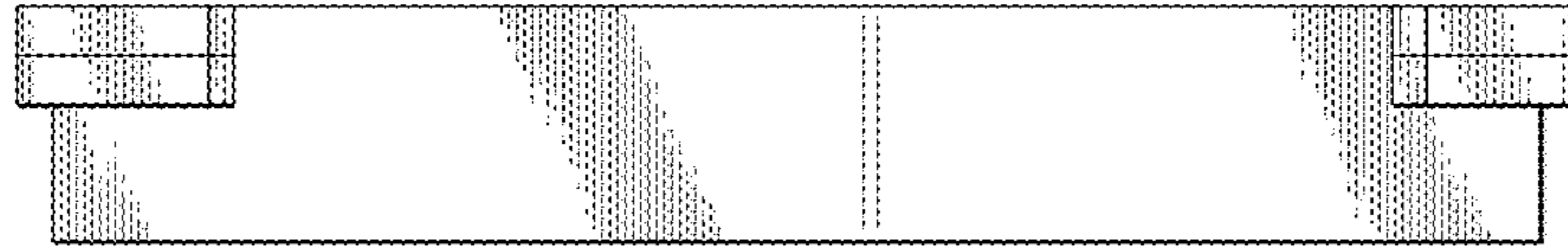


FIG.5

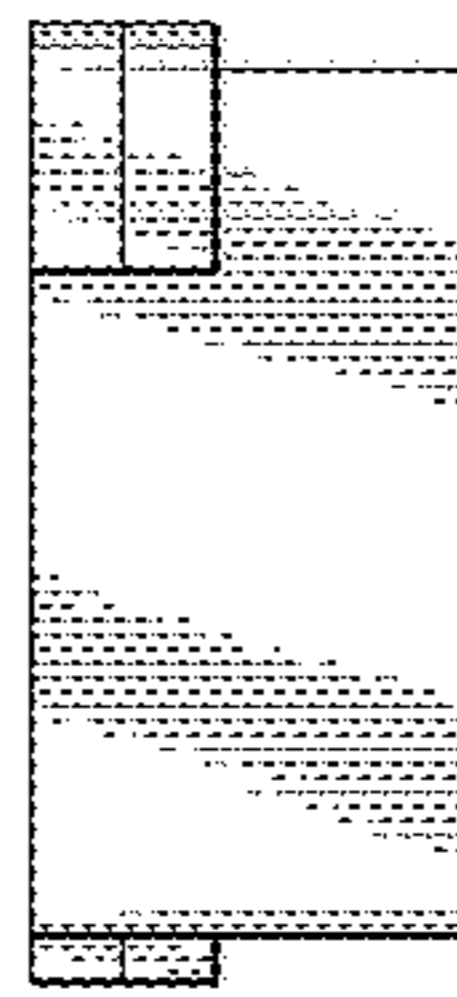


FIG.6

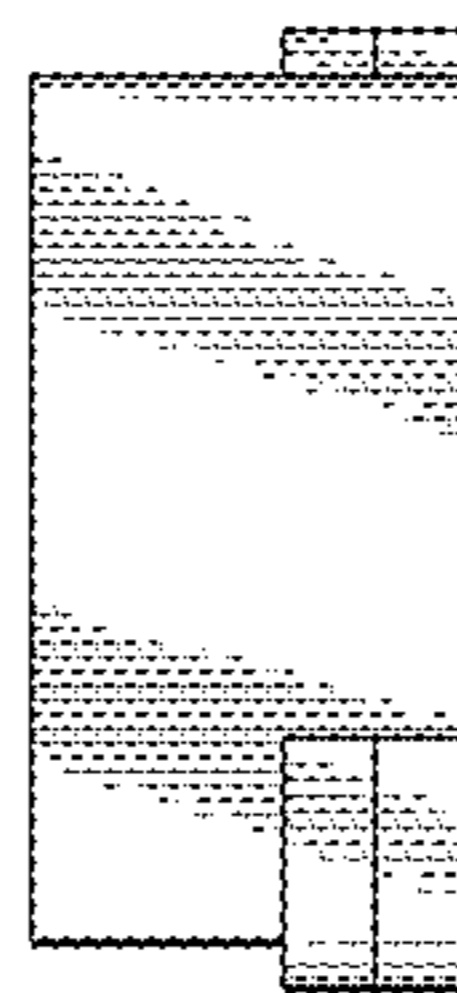


FIG.7

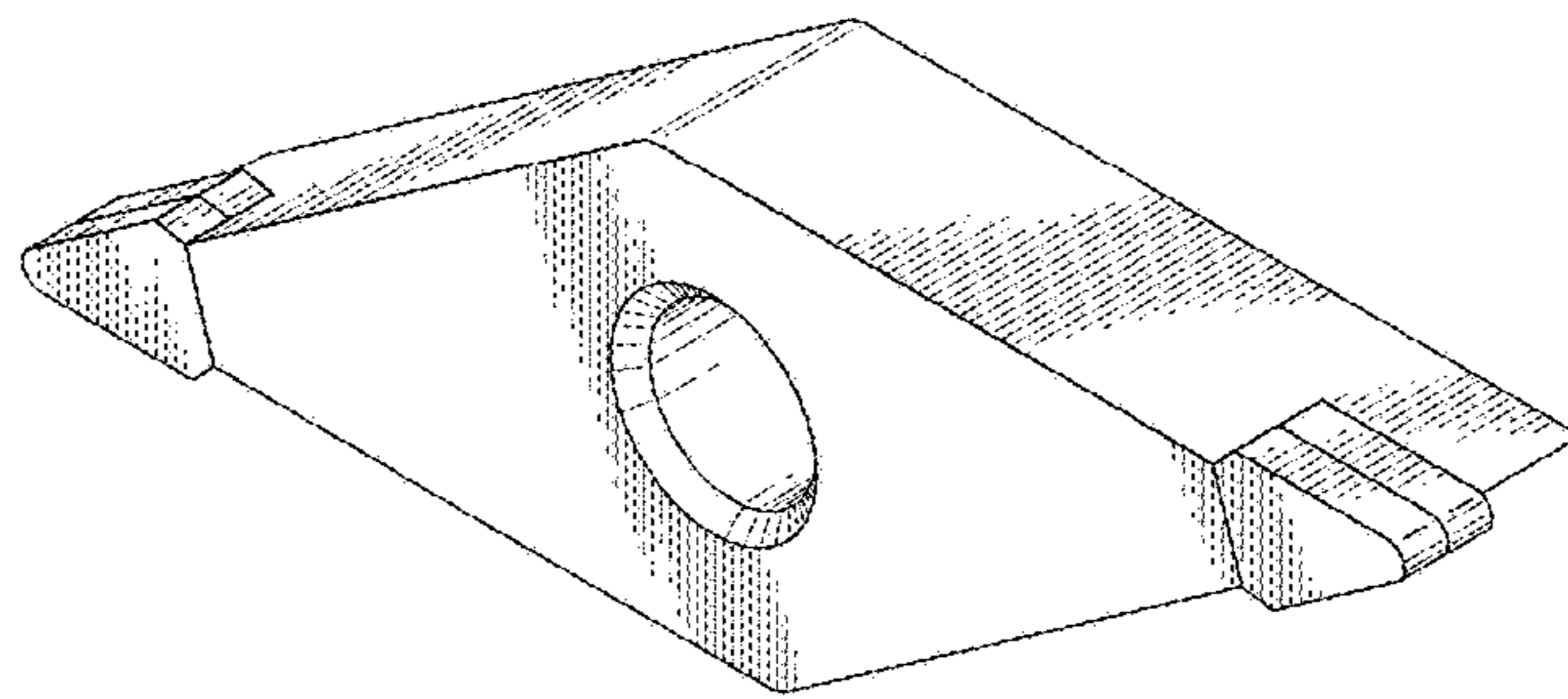


FIG.8

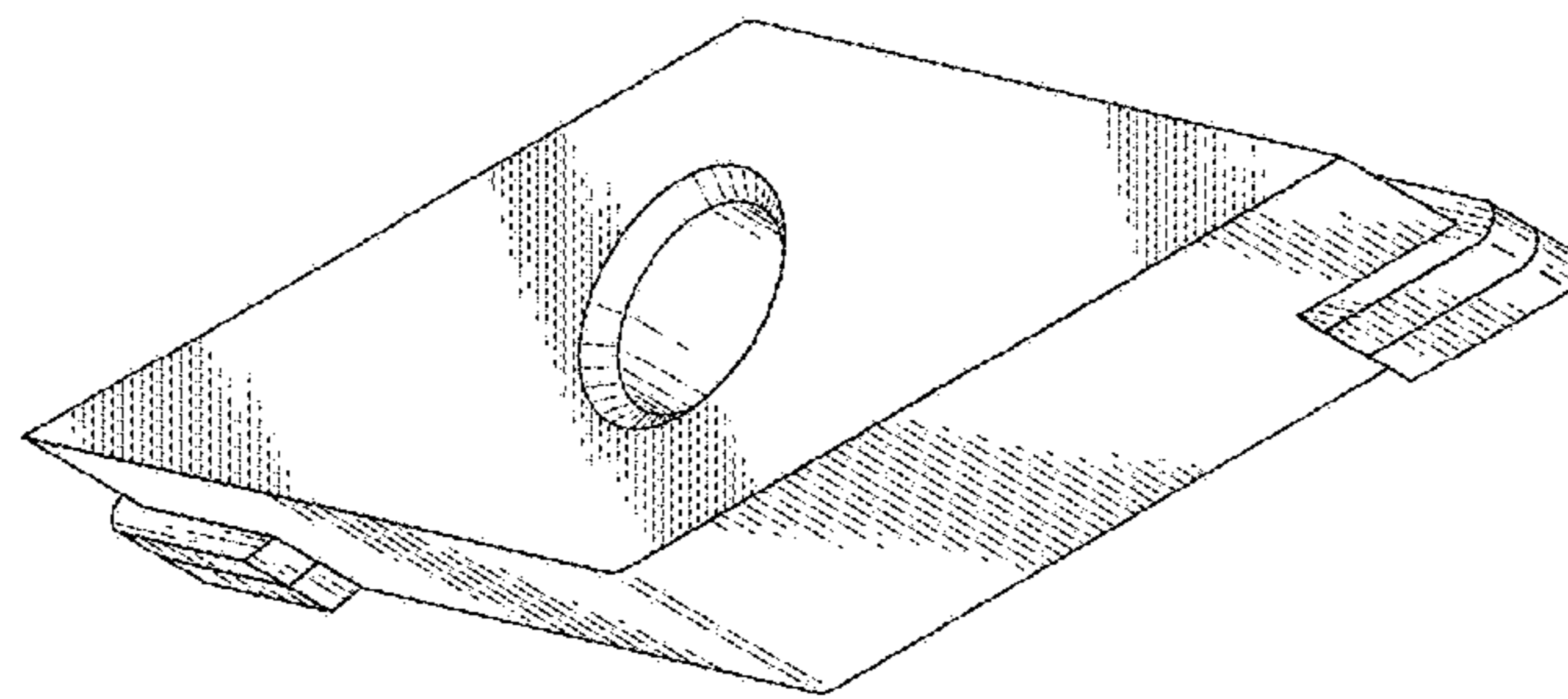


FIG.9

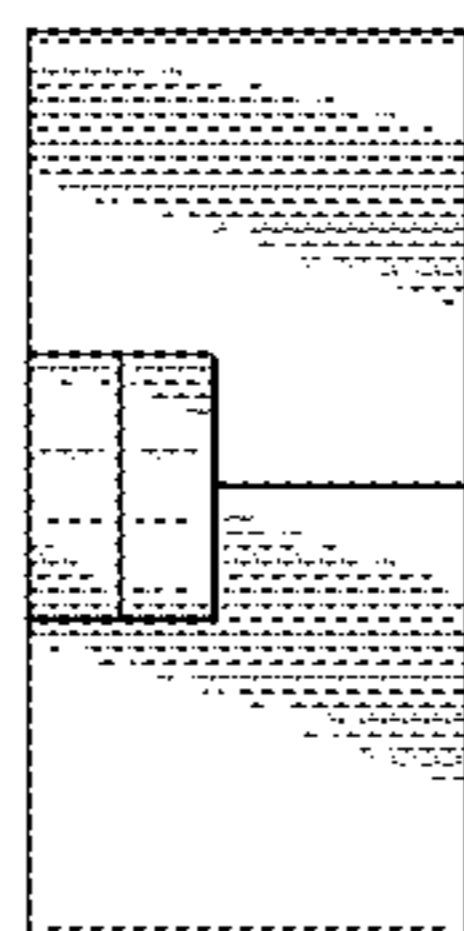


FIG.10

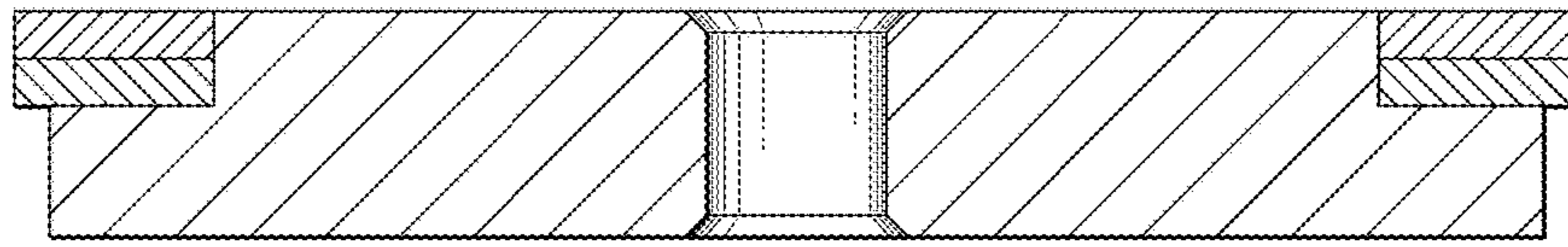


FIG.11

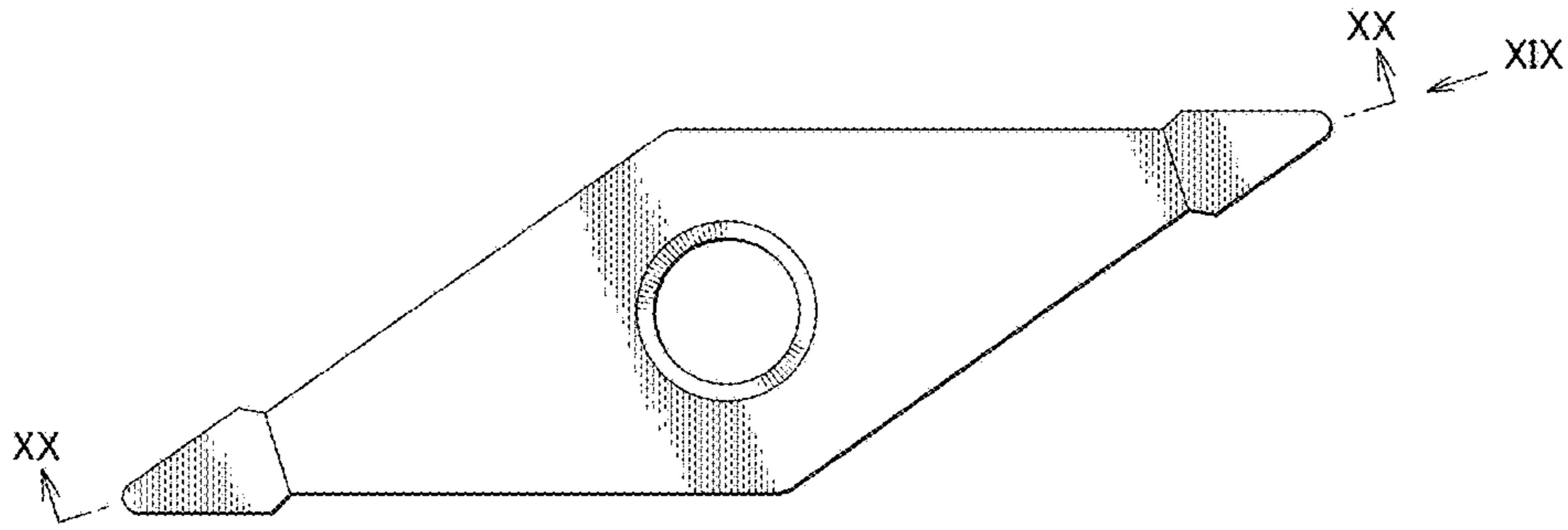


FIG.12

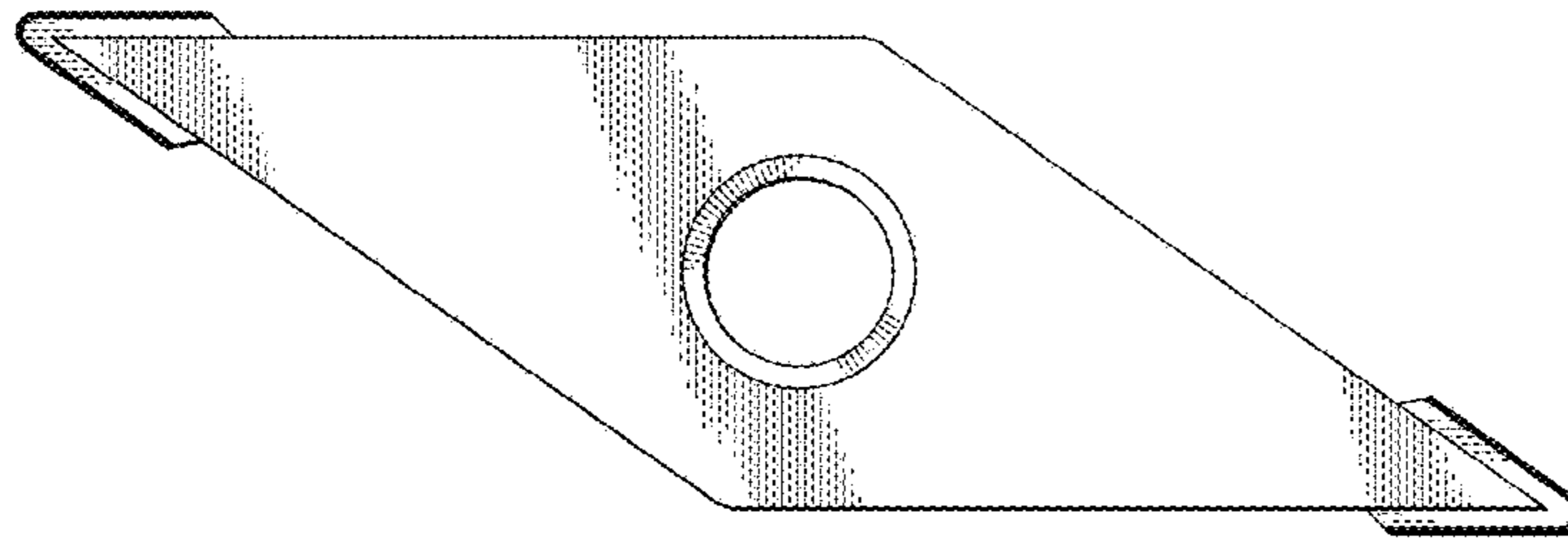


FIG.13

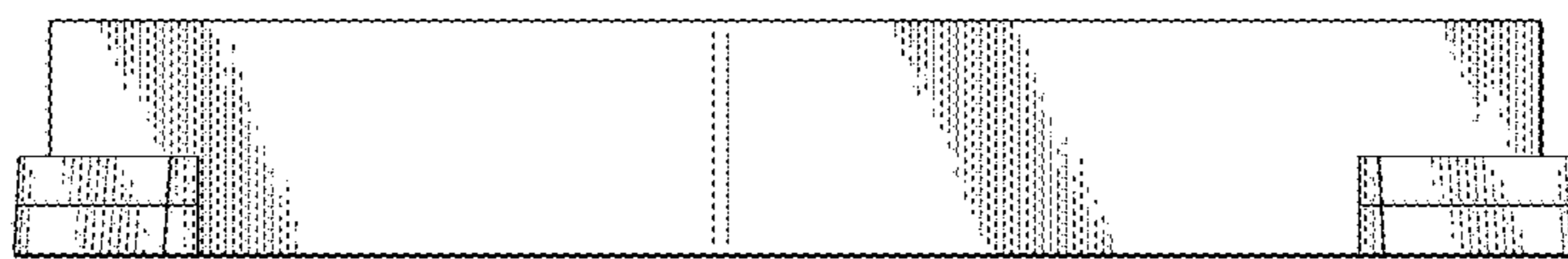


FIG.14

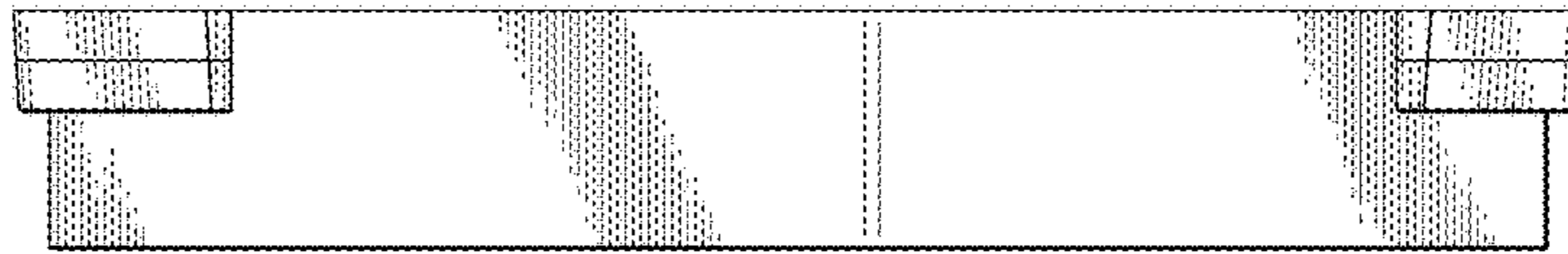


FIG.15

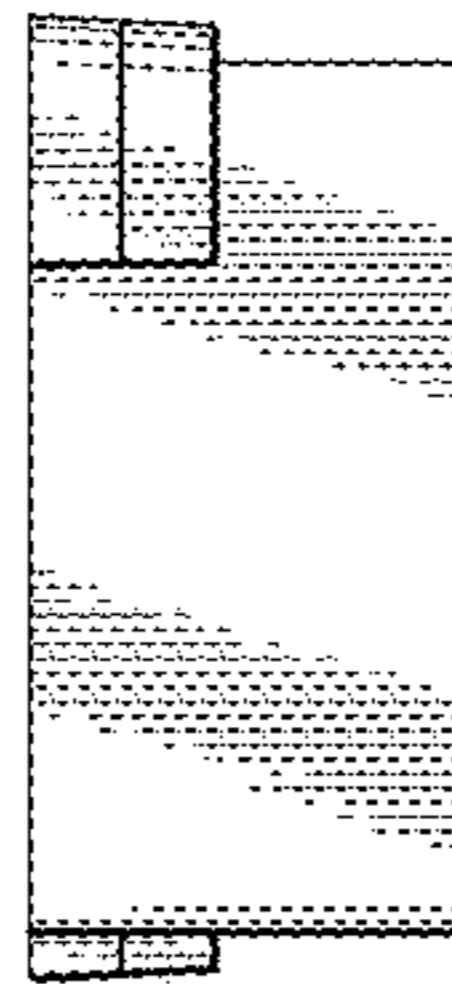


FIG.16

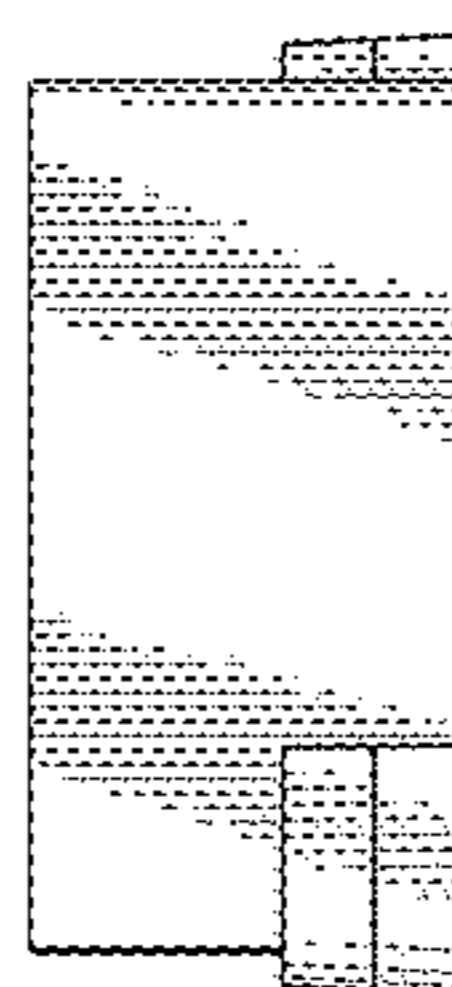




FIG.17

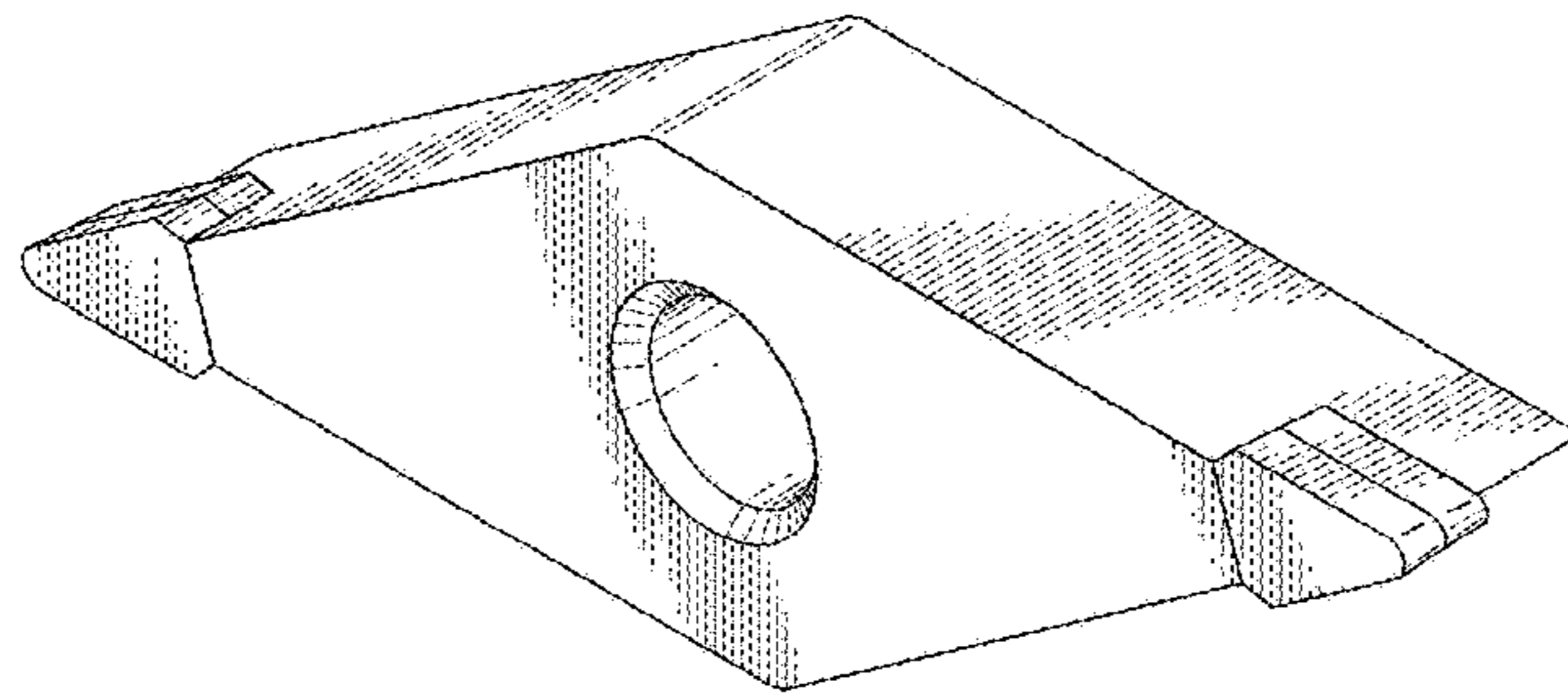


FIG.18

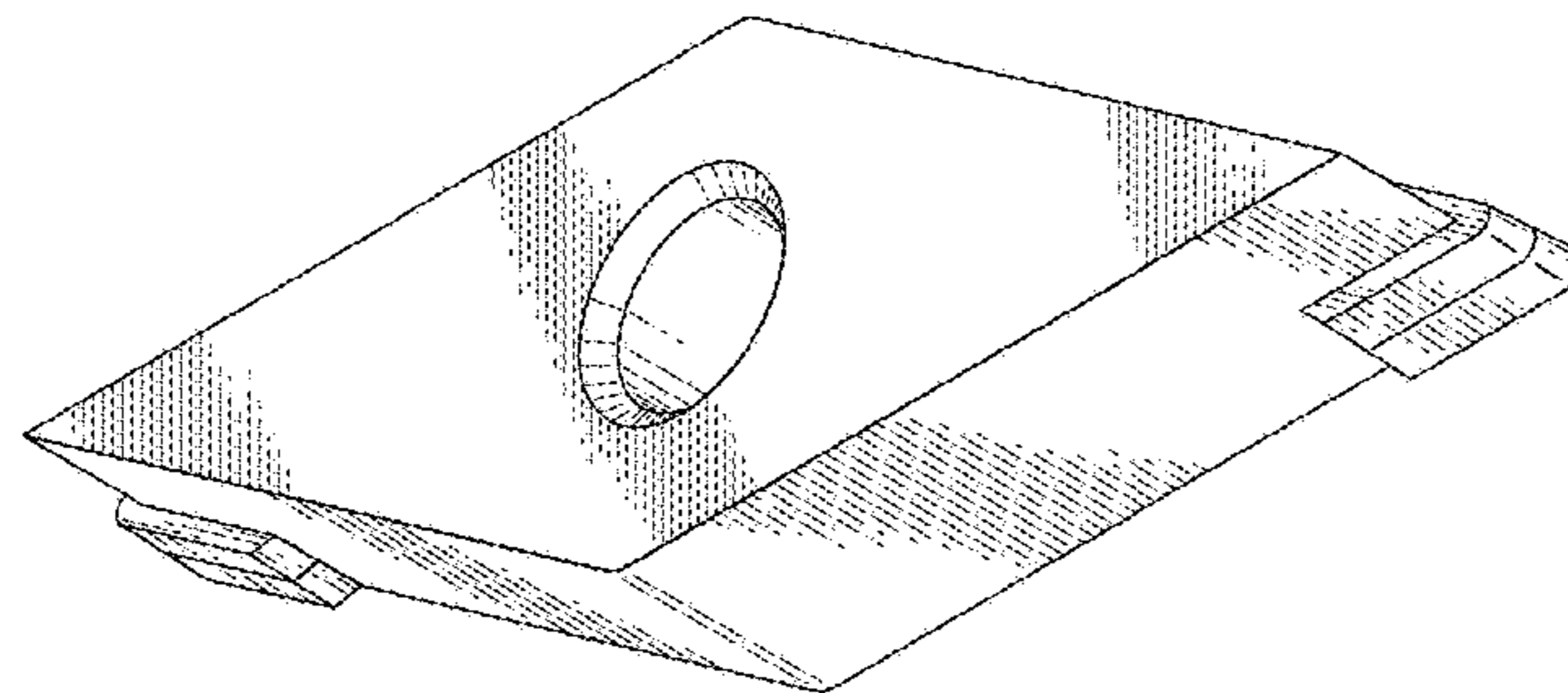


FIG.19

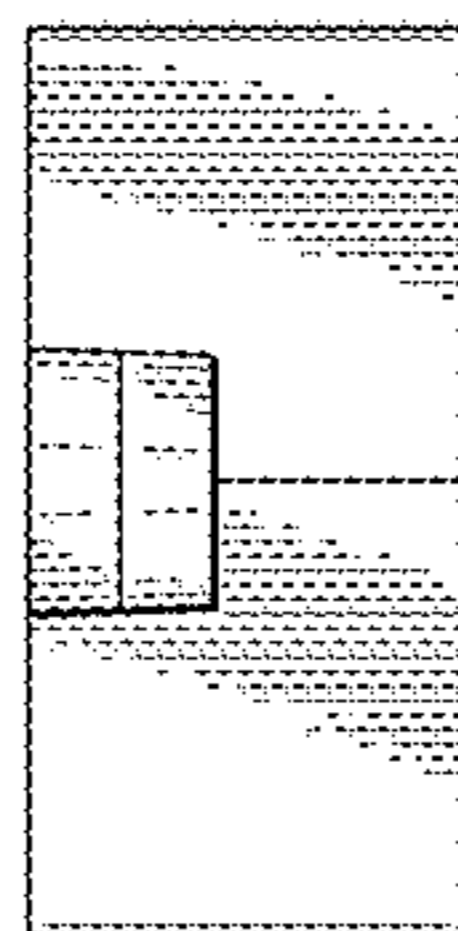


FIG.20

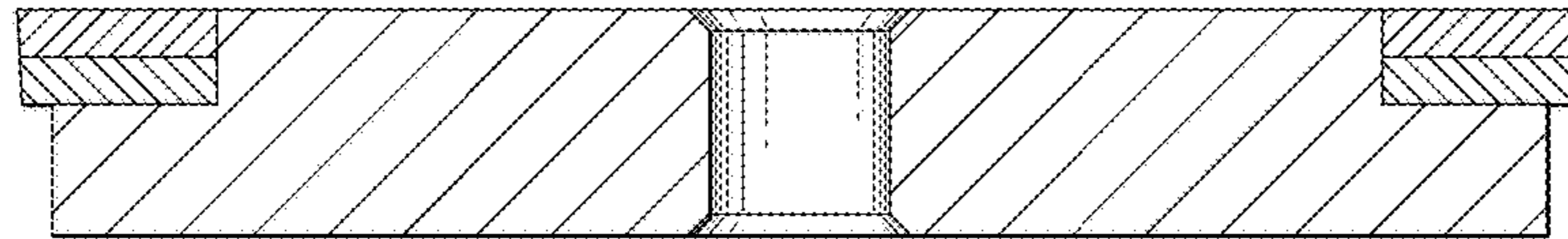
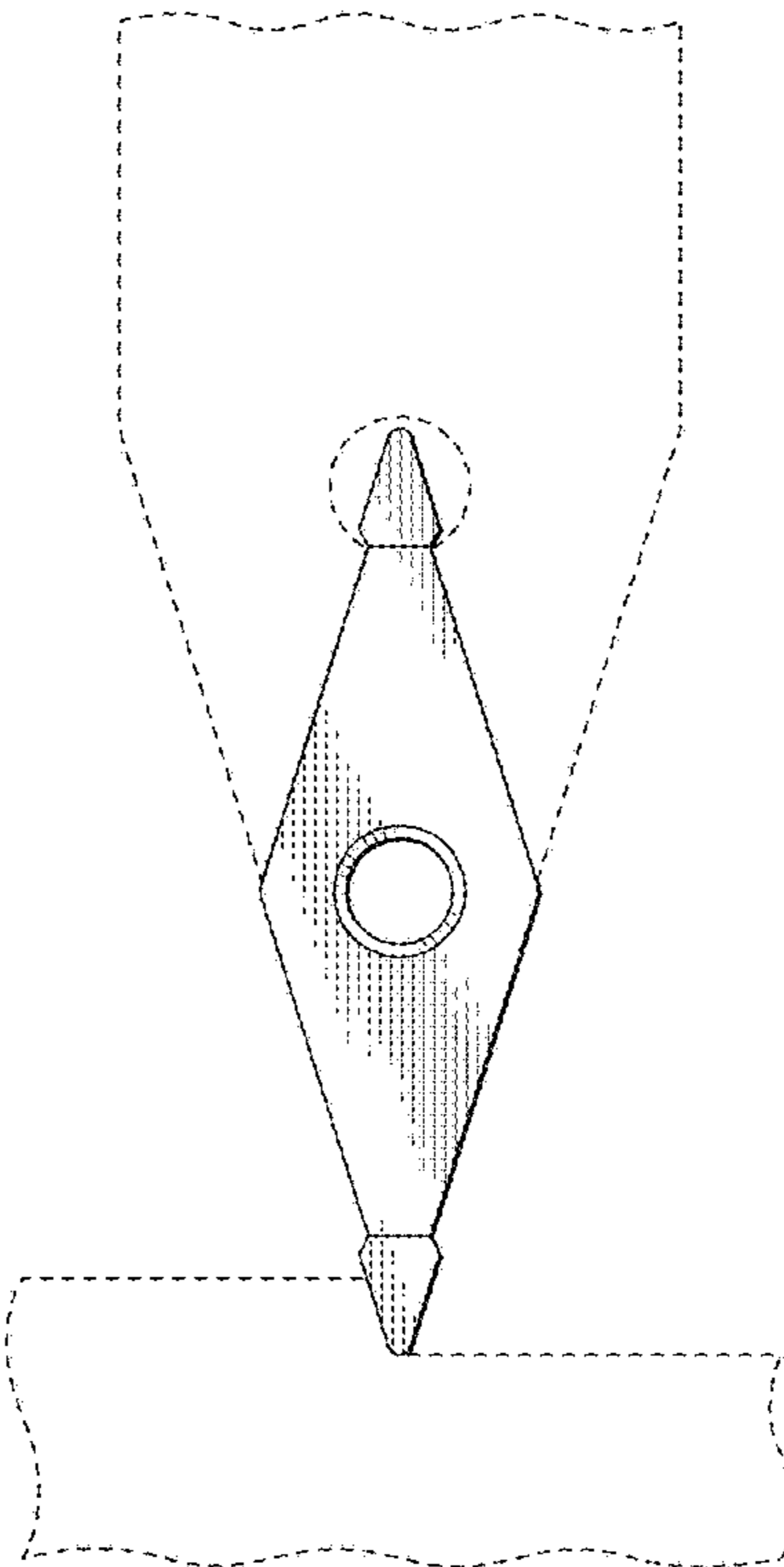


FIG.21



UNITED STATES PATENT AND TRADEMARK OFFICE  
**CERTIFICATE OF CORRECTION**

PATENT NO. : D857,769 S  
APPLICATION NO. : 29/664516  
DATED : August 27, 2019  
INVENTOR(S) : Kazuo Maeda

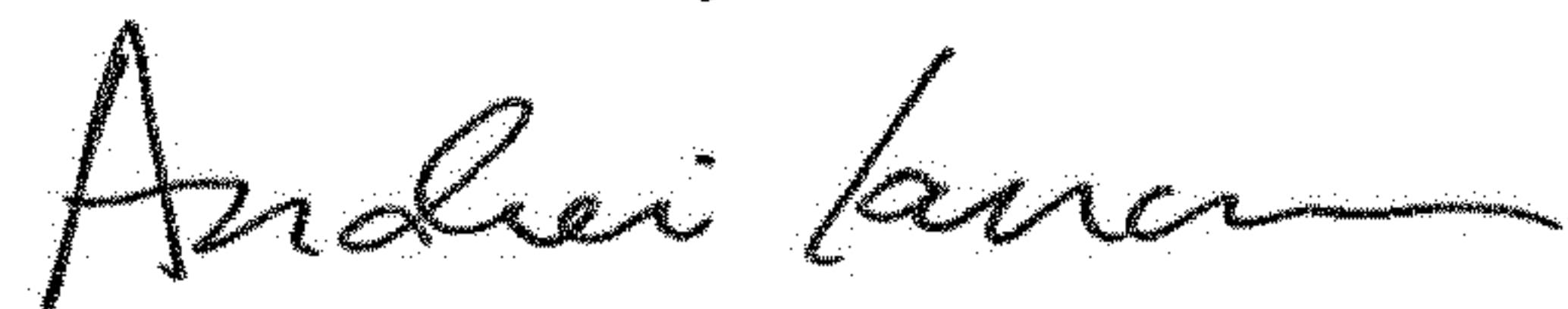
Page 1 of 1

It is certified that error appears in the above-identified patent and that said Letters Patent is hereby corrected as shown below:

On the Title Page

Item (63), replace "Continuation" with -- Divisional --.

Signed and Sealed this  
Second Day of June, 2020



Andrei Iancu  
*Director of the United States Patent and Trademark Office*