



US00D857768S

(12) **United States Design Patent**
Rhode

(10) **Patent No.:** **US D857,768 S**

(45) **Date of Patent:** **** Aug. 27, 2019**

- (54) **SAW TOOTH**
- (71) Applicant: **China Pacificarbide, Inc.**, Chino, CA
(US)
- (72) Inventor: **Jeff Tyler Rhode**, Anaheim Hills, CA
(US)
- (73) Assignee: **China Pacificarbide, Inc.**, Chino, CA
(US)
- (**) Term: **15 Years**
- (21) Appl. No.: **29/624,978**
- (22) Filed: **Nov. 6, 2017**

5,579,674 A * 12/1996 Wildey B23D 61/04
83/835
5,644,965 A * 7/1997 MacLennan B23D 61/06
144/241
5,647,263 A * 7/1997 Wildey B23D 61/04
83/835
5,873,534 A * 2/1999 Shinn A01G 23/093
241/294
D488,174 S * 4/2004 East D15/139
6,725,758 B2 * 4/2004 MacLennan B23D 61/04
83/839
D517,104 S * 3/2006 East D15/139
D772,963 S * 11/2016 Nam D15/139
D812,115 S * 3/2018 MacLennan B27B 33/12
D15/139

* cited by examiner

Primary Examiner — Khawaja Anwar

(74) *Attorney, Agent, or Firm* — Boardman & Clark LLP

Related U.S. Application Data

(63) Continuation-in-part of application No. 29/564,591,
filed on May 13, 2016, now Pat. No. Des. 804,551.

(51) **LOC (12) Cl.** **15-03**

(52) **U.S. Cl.**
USPC **D15/139**

(58) **Field of Classification Search**
USPC D15/133, 127, 138, 139
CPC B23D 57/0007; B23D 57/0038; B23D
57/0061; B23D 57/0084; B23D 61/121;
B23D 45/062; B23D 47/02; B23D 47/04;
B23D 49/162; B23D 51/025; B23D
55/082; B23D 57/023; B23D 59/003;
B23D 59/008; B23D 61/006; B23D
61/125; B23D 61/128; B23D 61/18;
B23D 61/185

See application file for complete search history.

(56) **References Cited**

U.S. PATENT DOCUMENTS

5,205,199 A * 4/1993 MacLennan B23D 61/04
83/839
5,307,719 A 5/1994 MacLennan

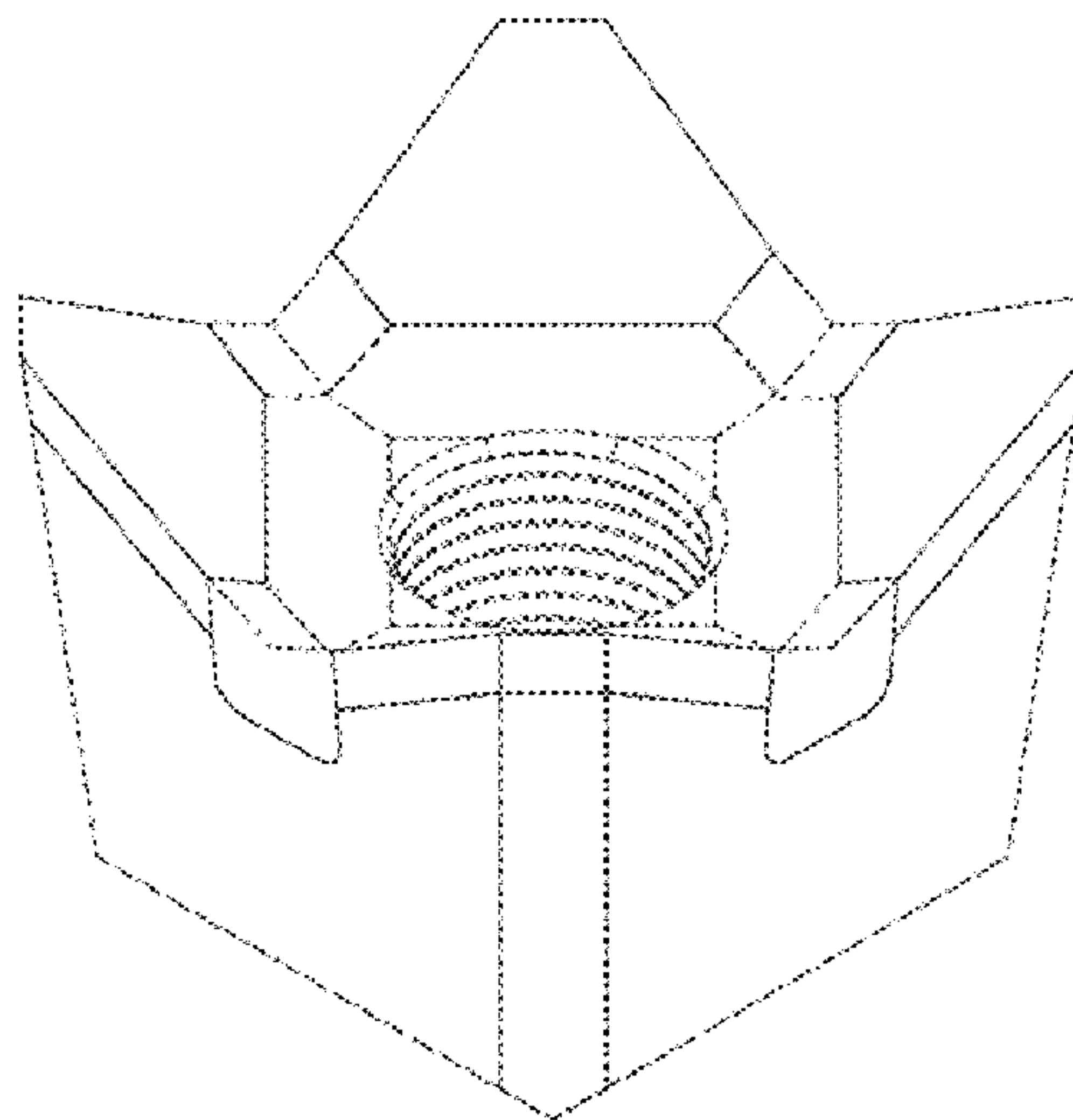
(57) **CLAIM**

The ornamental design for a saw tooth, as shown and
described herein.

DESCRIPTION

FIG. 1 is a perspective view of a saw tooth, showing my new
design;
FIG. 2 is a front elevation thereof;
FIG. 3 is a rear elevation thereof;
FIG. 4 is a left-side elevation thereof;
FIG. 5 is a right-side elevation thereof;
FIG. 6 is top view thereof; and,
FIG. 7 is bottom plan view thereof.
The broken lines in the drawings show portions of the saw
tooth that form no part of the claimed design.

1 Claim, 4 Drawing Sheets



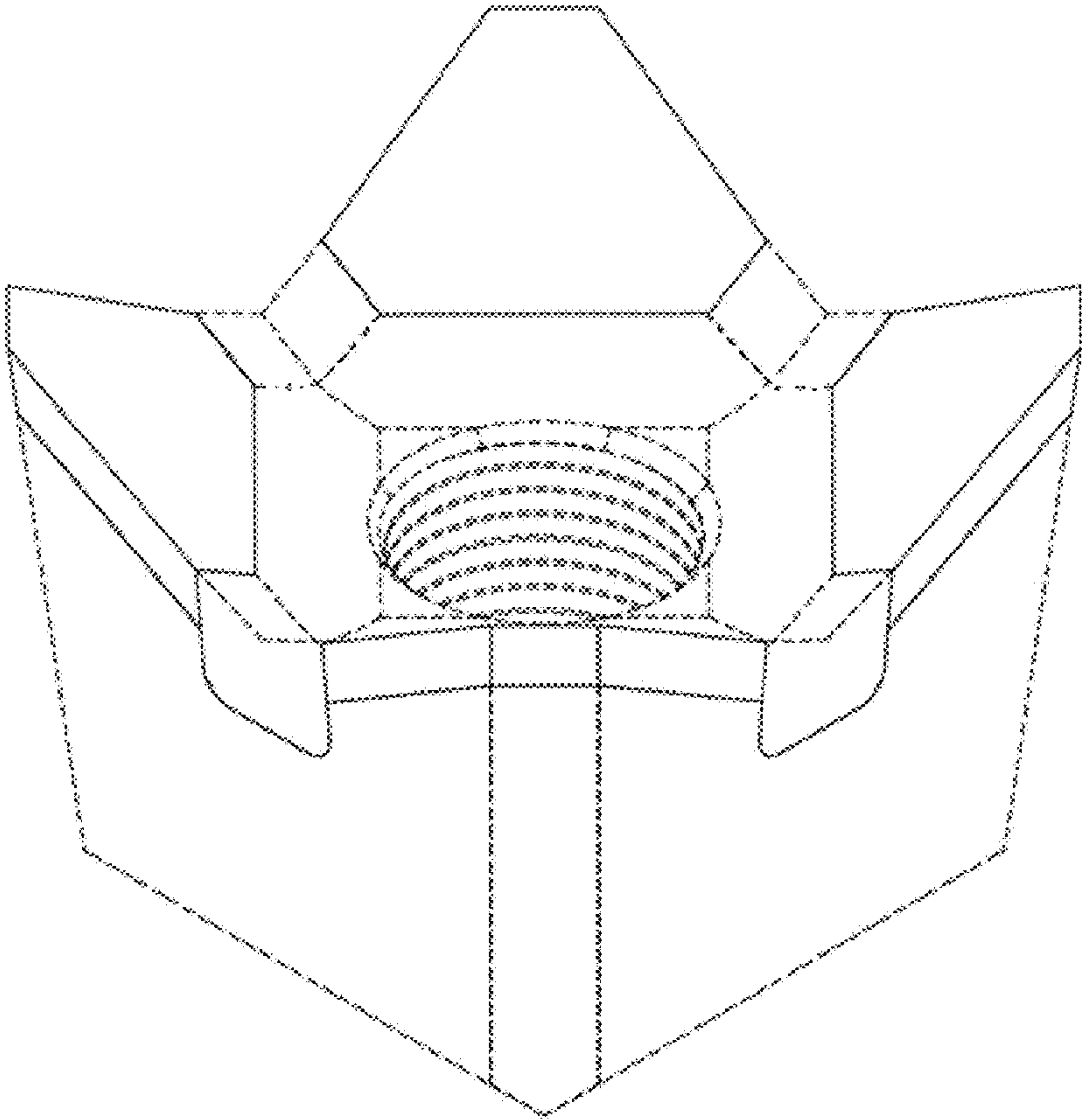


FIG. 1

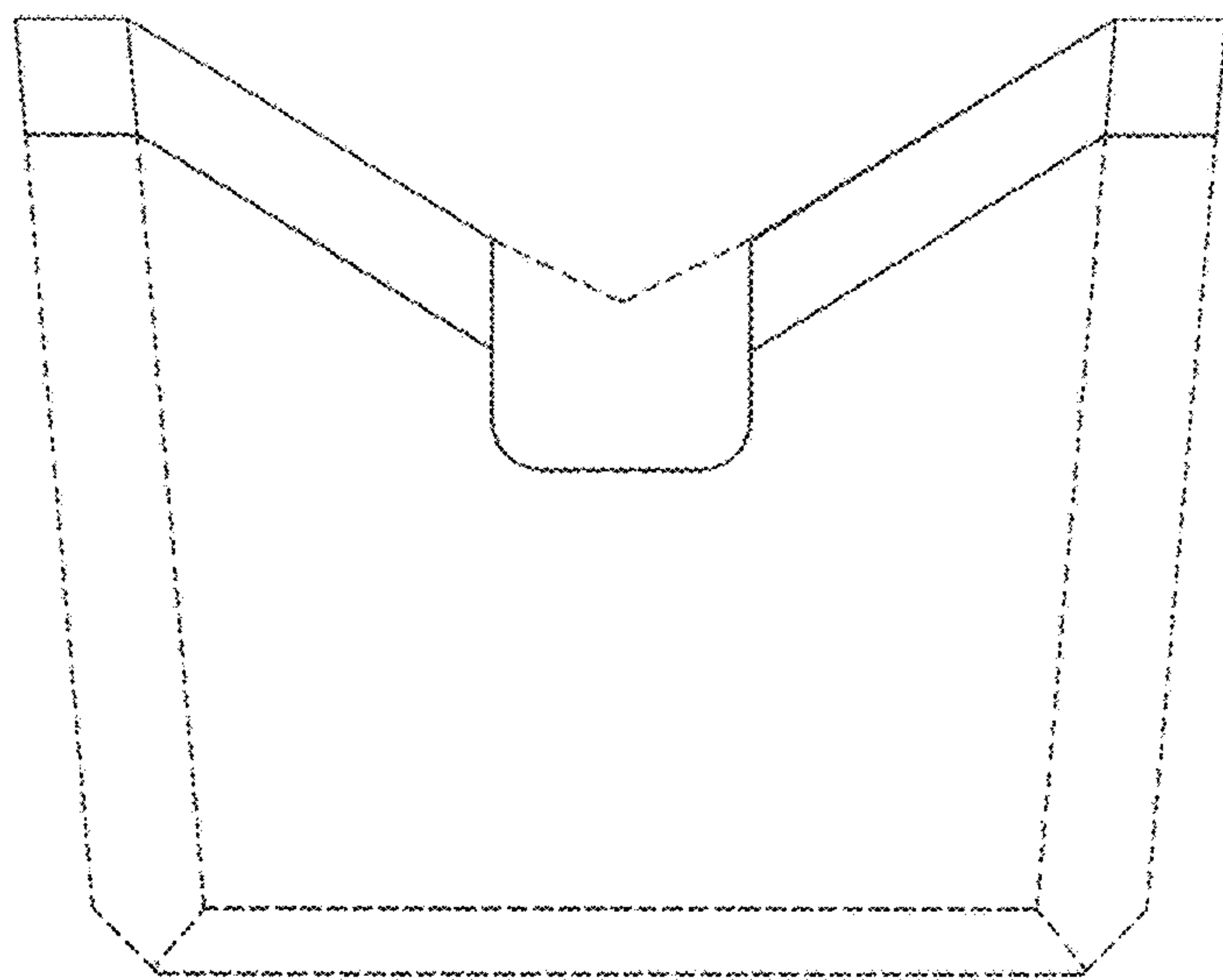


FIG. 2

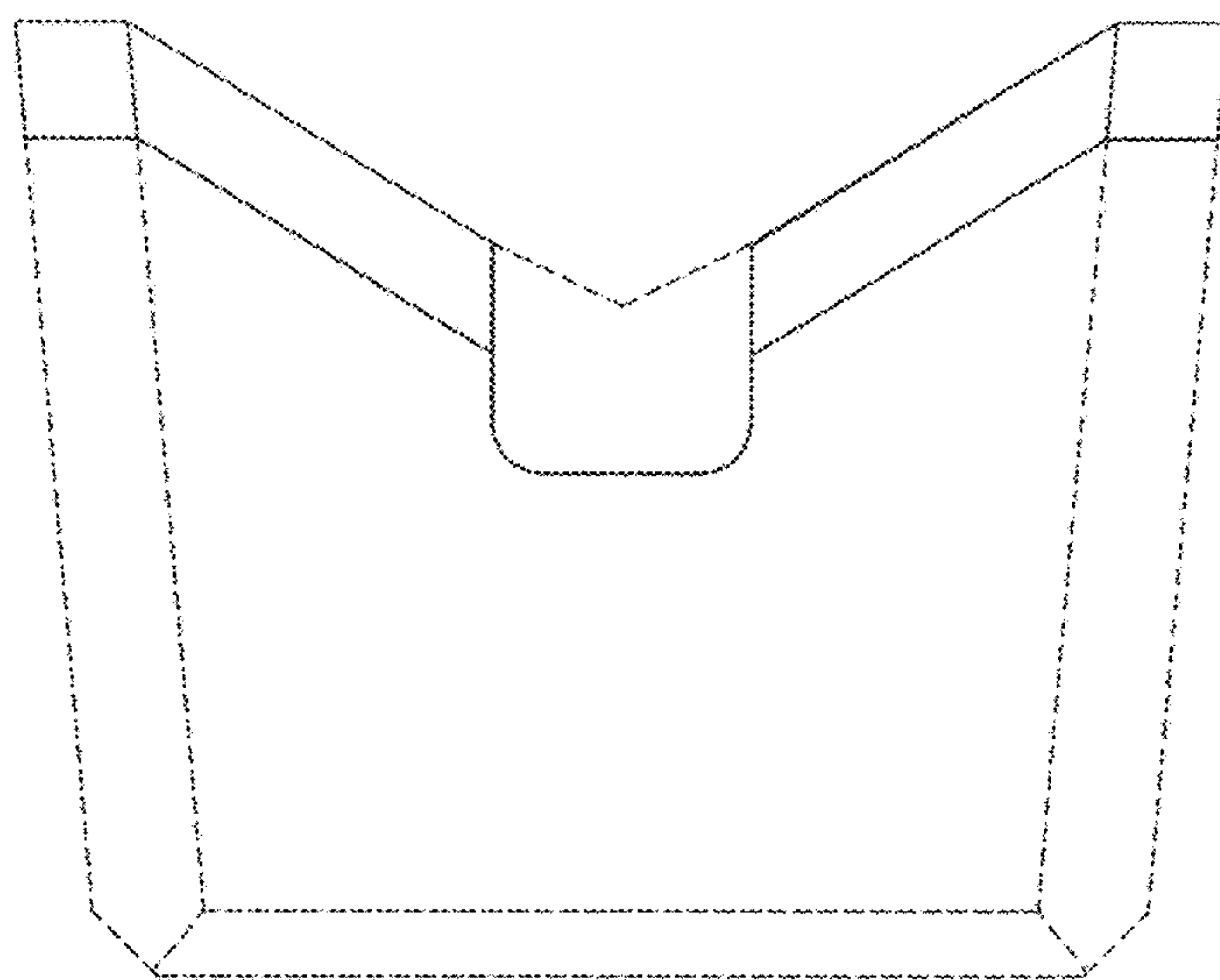


FIG. 3

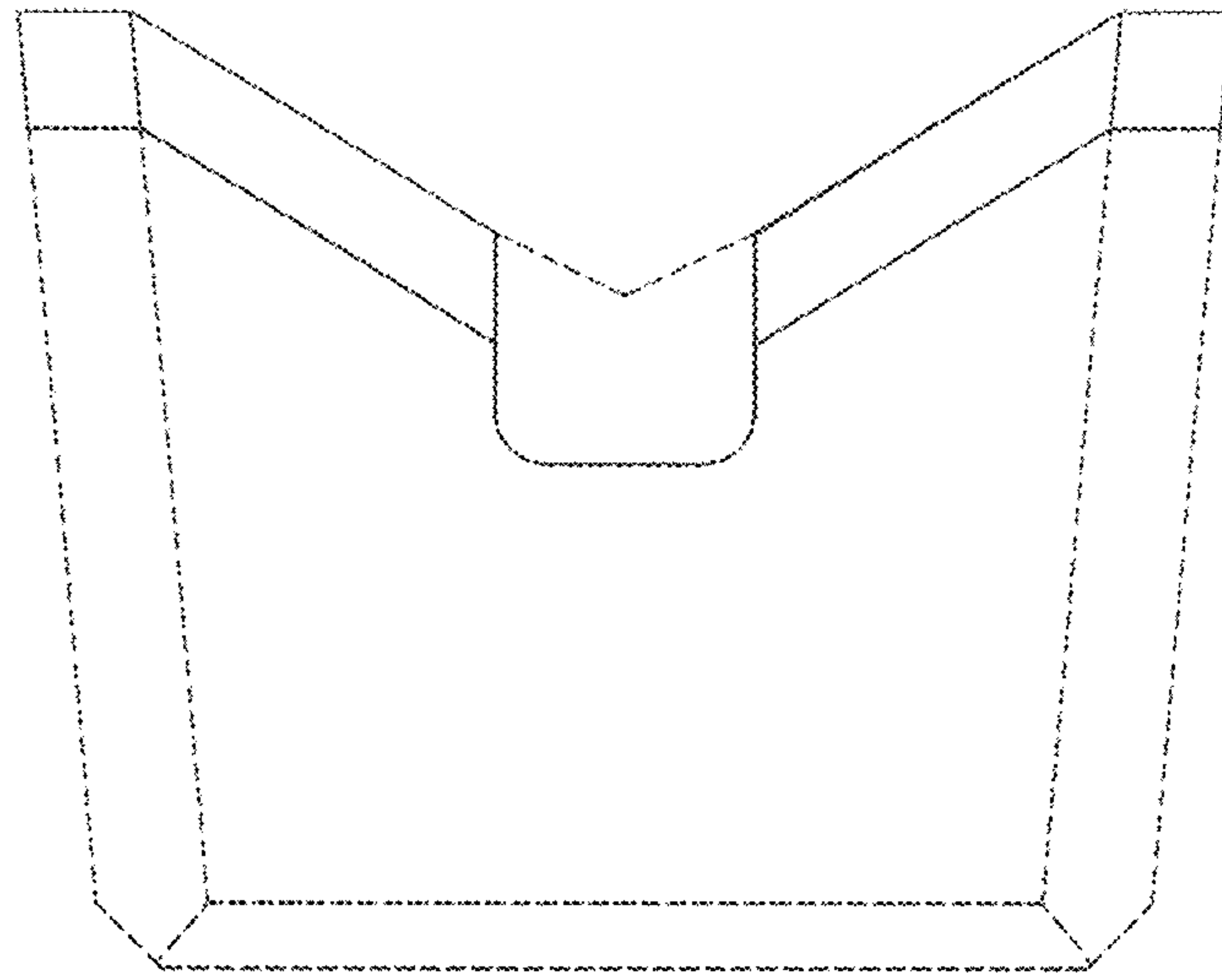


FIG. 4

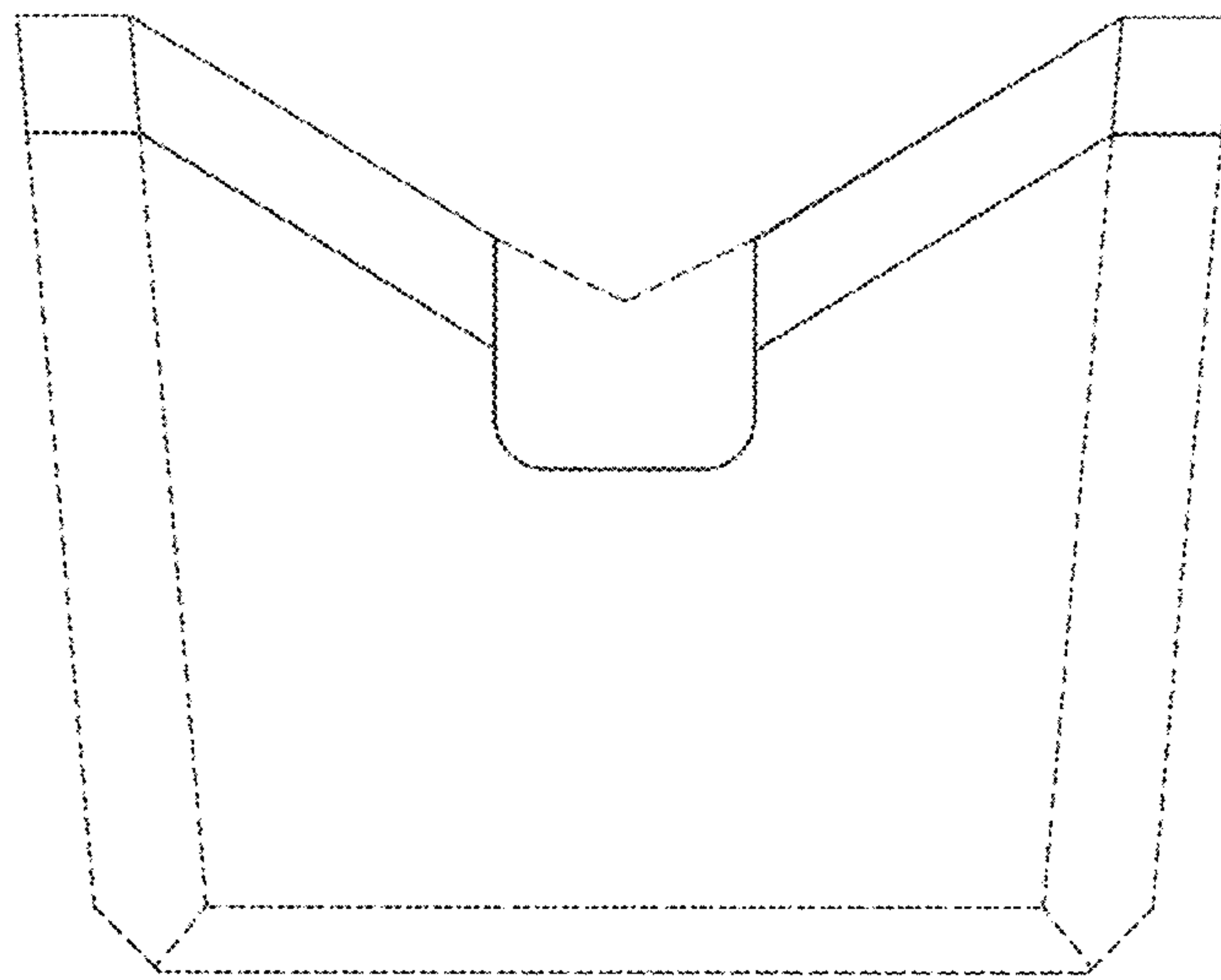


FIG. 5

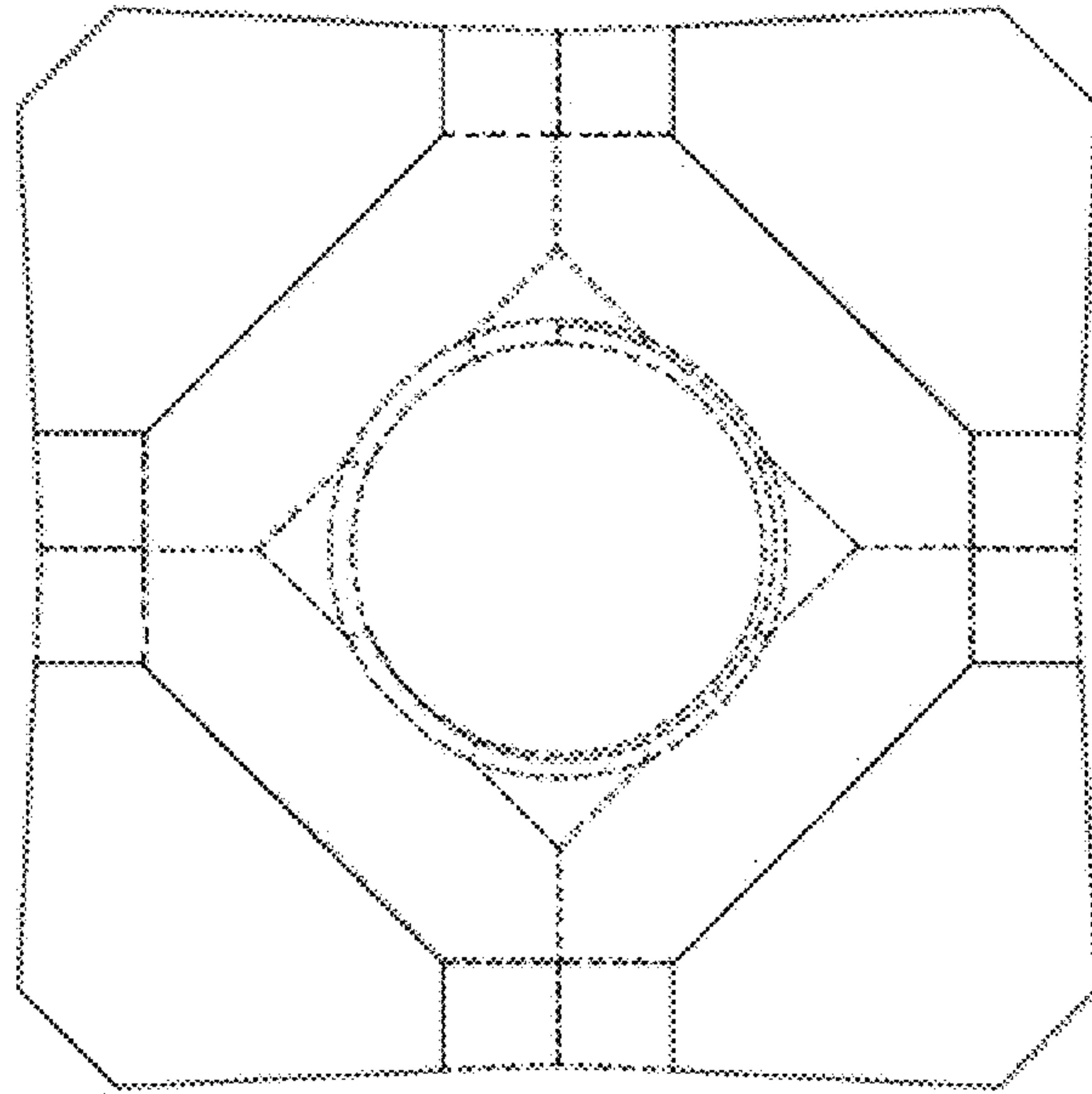


FIG. 6

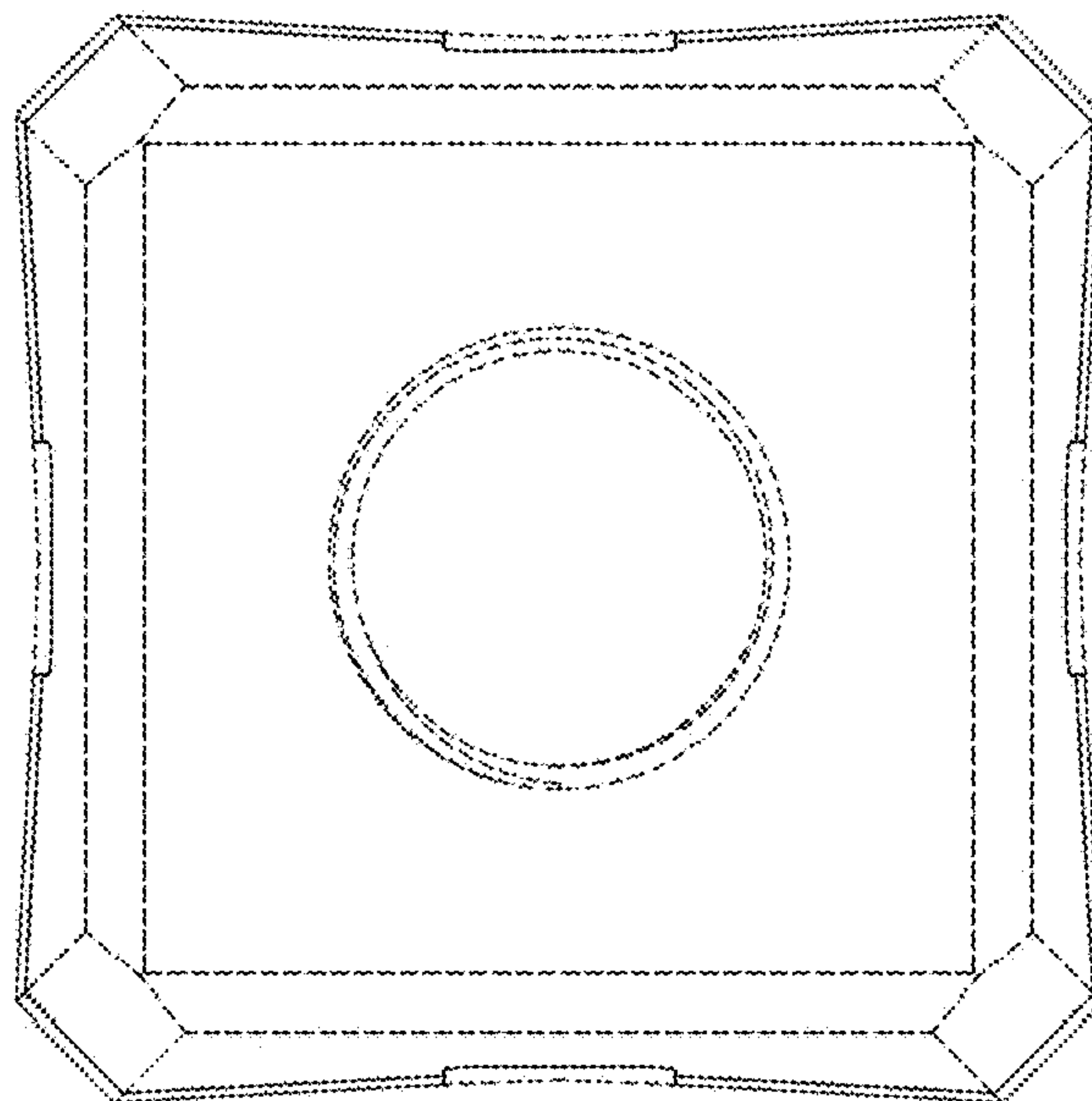


FIG. 7