



US00D857767S

(12) **United States Design Patent**
Winans

(10) **Patent No.:** **US D857,767 S**

(45) **Date of Patent:** **** Aug. 27, 2019**

(54) **CENTER FINDER**

(71) Applicant: **Woodpeckers, LLC**, Strongsville, OH (US)

(72) Inventor: **Brock Winans**, Strongsville, OH (US)

(73) Assignee: **Woodpeckers, LLC**, Strongsville, OH (US)

(**) Term: **15 Years**

(21) Appl. No.: **29/640,038**

(22) Filed: **Mar. 12, 2018**

(51) **LOC (12) Cl.** **15-03**

(52) **U.S. Cl.**

USPC **D15/130**; D10/64; D10/65; D15/140

(58) **Field of Classification Search**

USPC D10/46, 64, 65

CPC B23B 33/005; B23B 23/00; B23B 23/005;

B23B 23/02; B23B 23/025; B23B 23/04;

B23B 23/045; B23B 2270/24; B23B

2270/14; B23B 2270/16; Y10T 82/26;

Y10T 82/266

See application file for complete search history.

(56) **References Cited**

U.S. PATENT DOCUMENTS

4,619,049 A * 10/1986 Griffin B23B 23/04
144/253.1

D323,836 S * 2/1992 Woolman D15/140
D345,514 S * 3/1994 Donnelly D10/64
D416,919 S * 11/1999 Lei D10/65

* cited by examiner

Primary Examiner — Antoine Duval Davis

(74) *Attorney, Agent, or Firm* — Sand, Sebolt & Wernow Co., LPA

(57) **CLAIM**

The ornamental design for a center finder, as shown.

DESCRIPTION

FIG. 1 is a front top right isometric perspective view of a first embodiment of a center finder in accordance with my design;

FIG. 2 is a rear top left isometric perspective view thereof;

FIG. 3 is a front elevation view thereof;

FIG. 4 is a rear elevation view thereof;

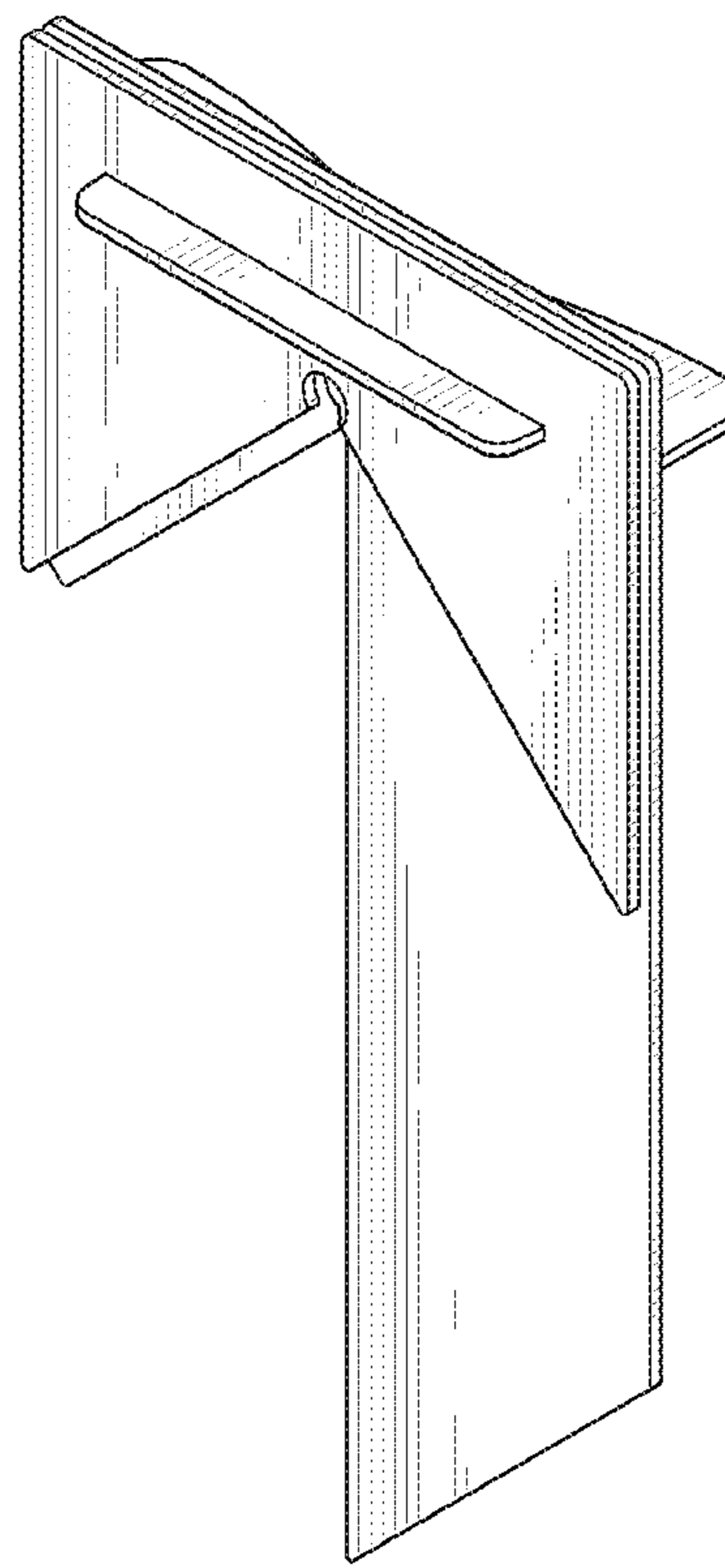
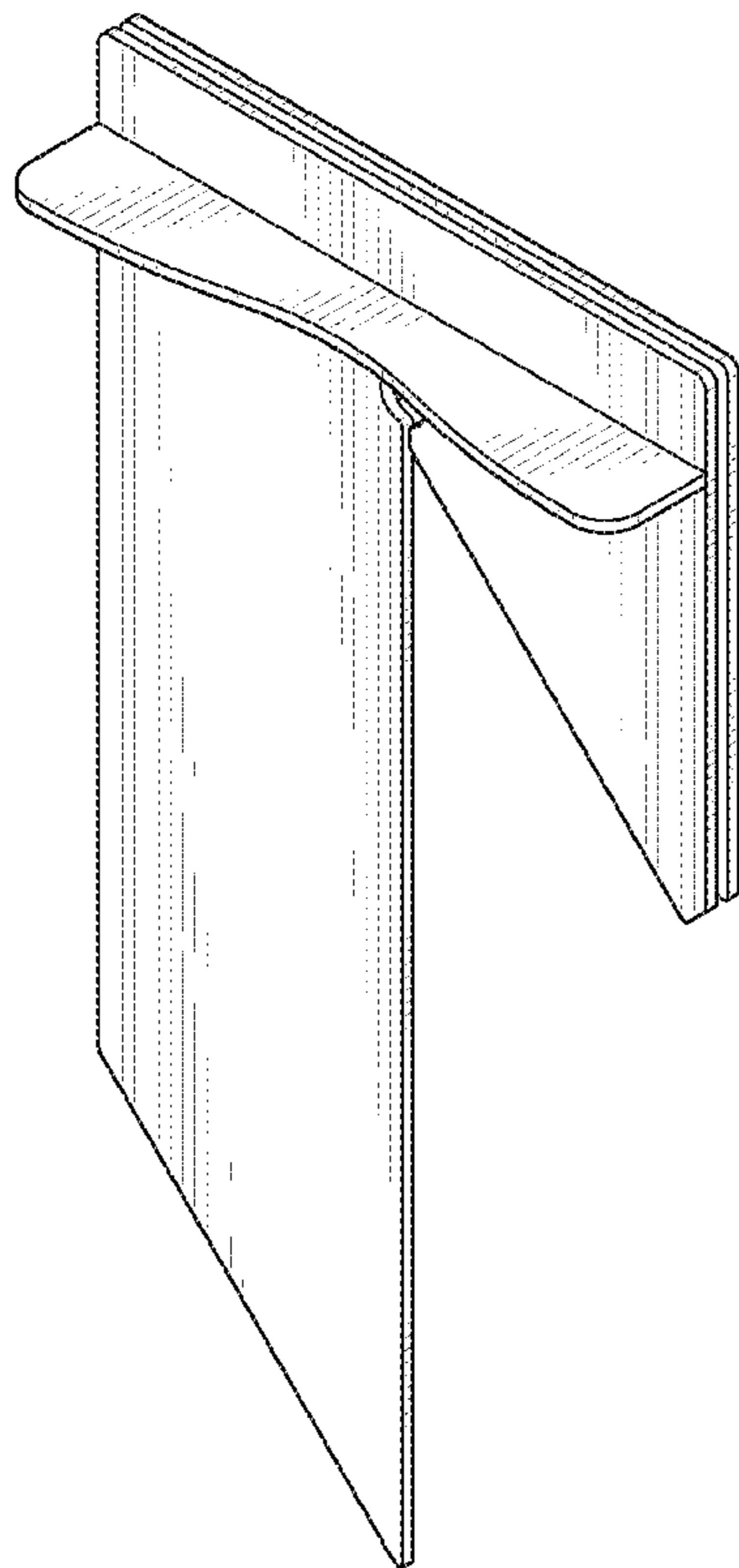
FIG. 5 is a top plan view thereof;

FIG. 6 is a bottom plan view thereof;

FIG. 7 is a left side elevation view thereof; and,

FIG. 8 is a right side elevation view thereof.

1 Claim, 6 Drawing Sheets



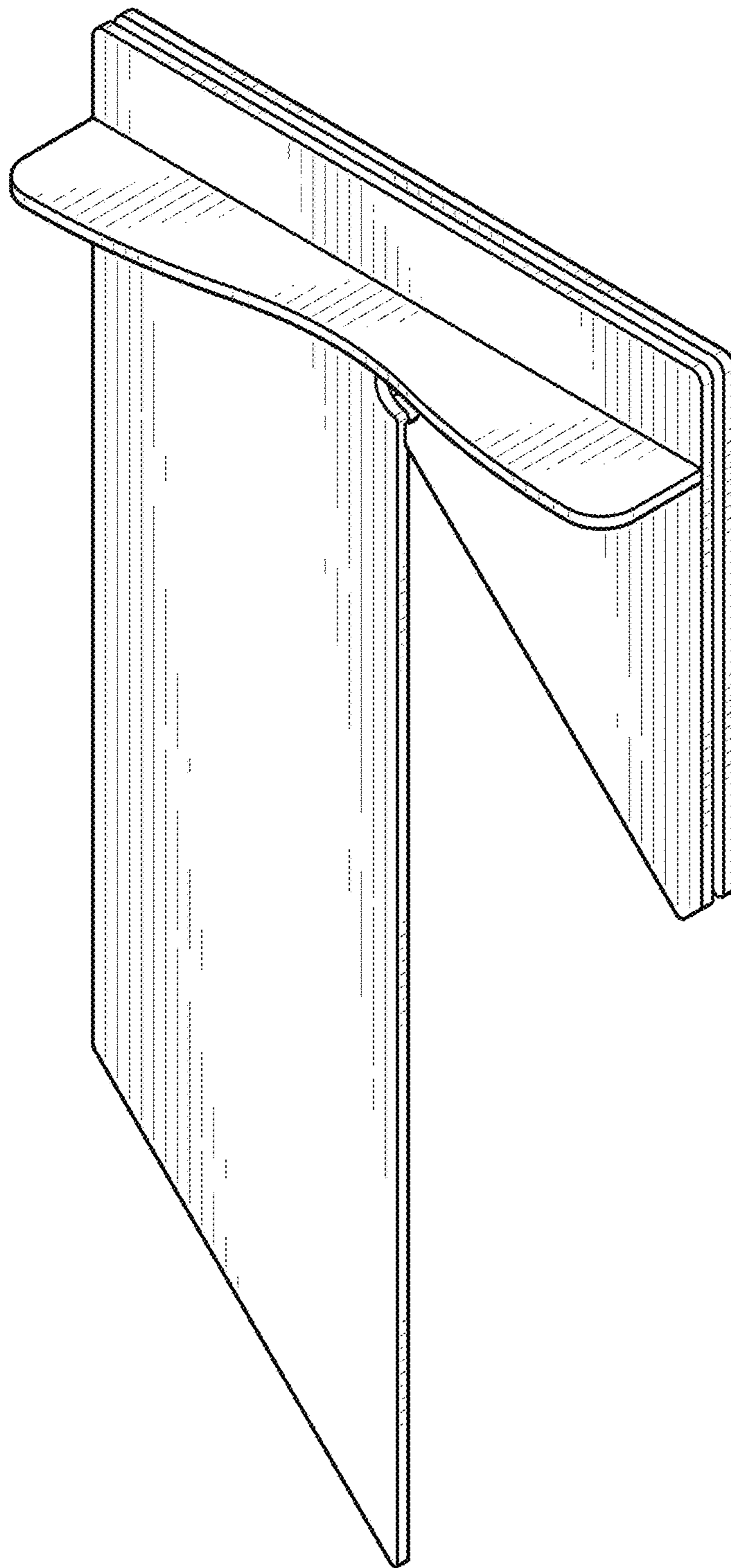


FIG. 1

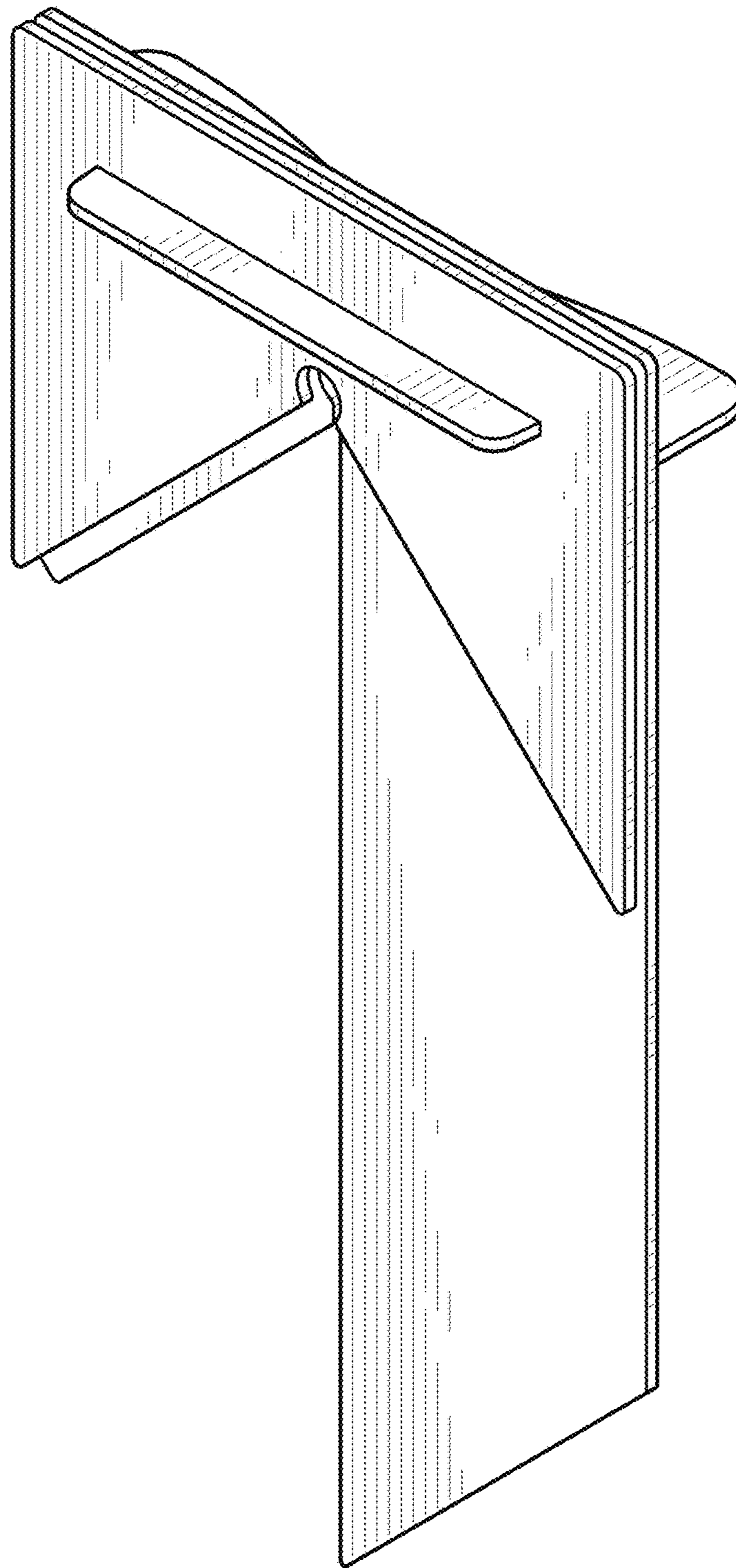


FIG. 2

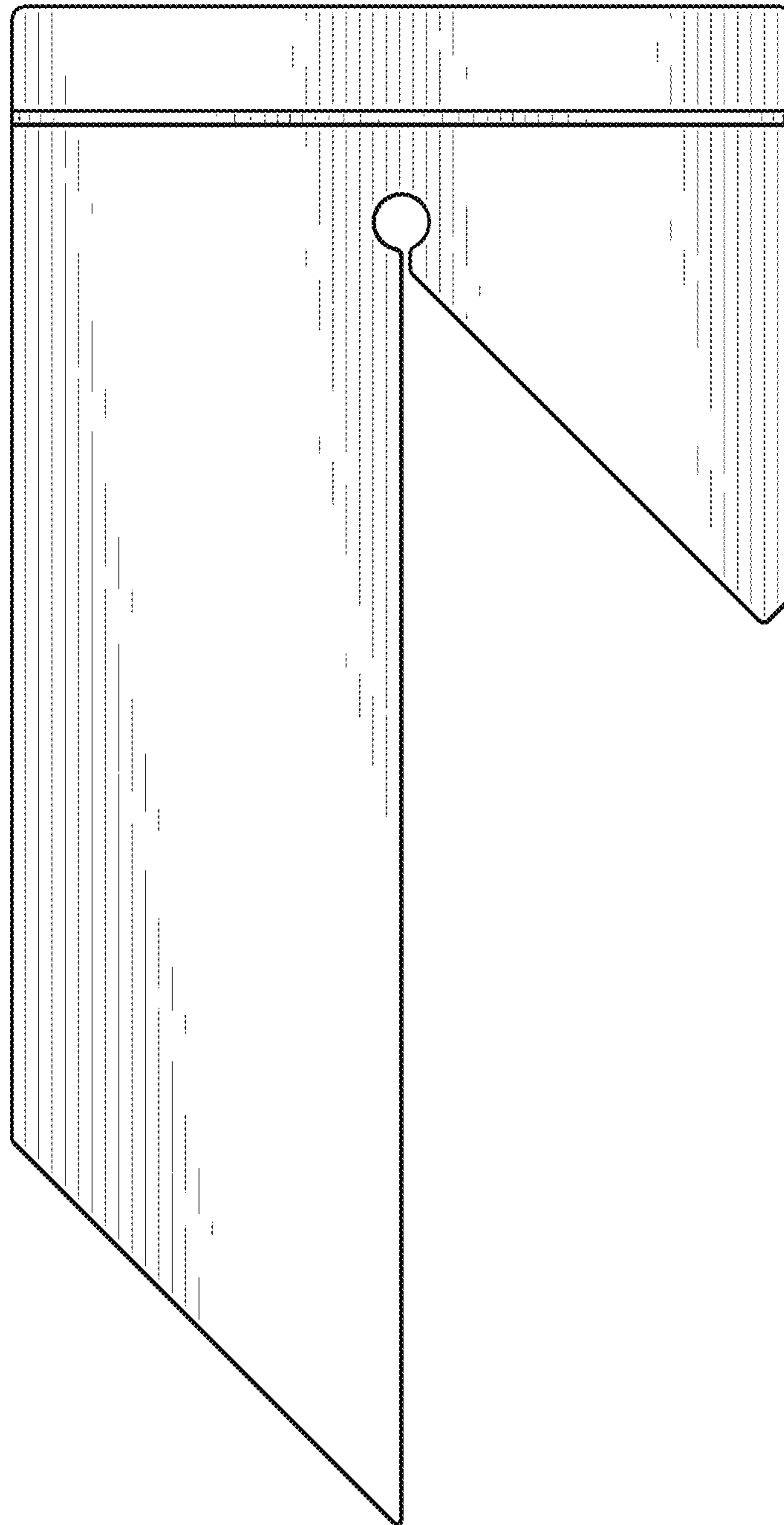


FIG. 3

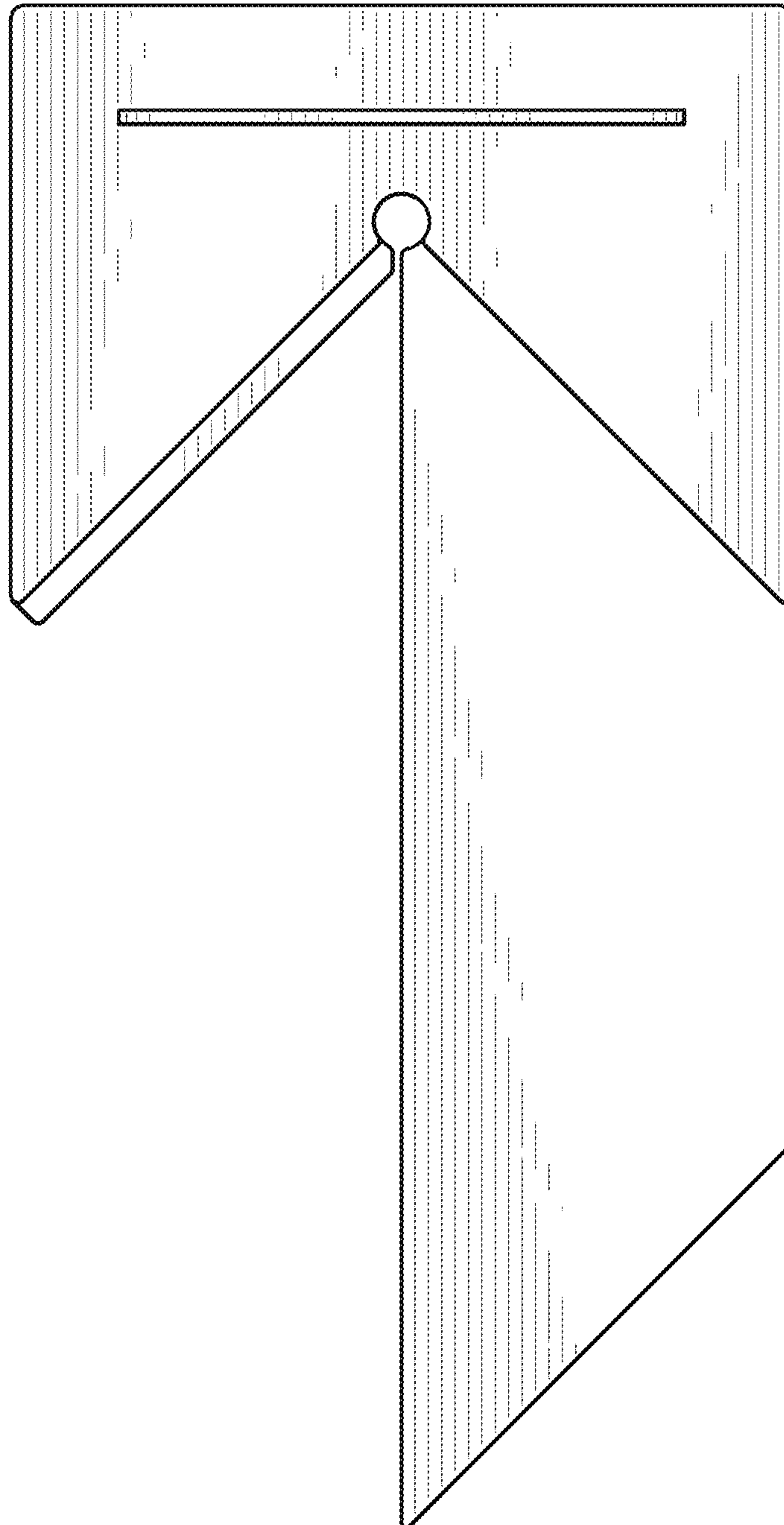


FIG. 4

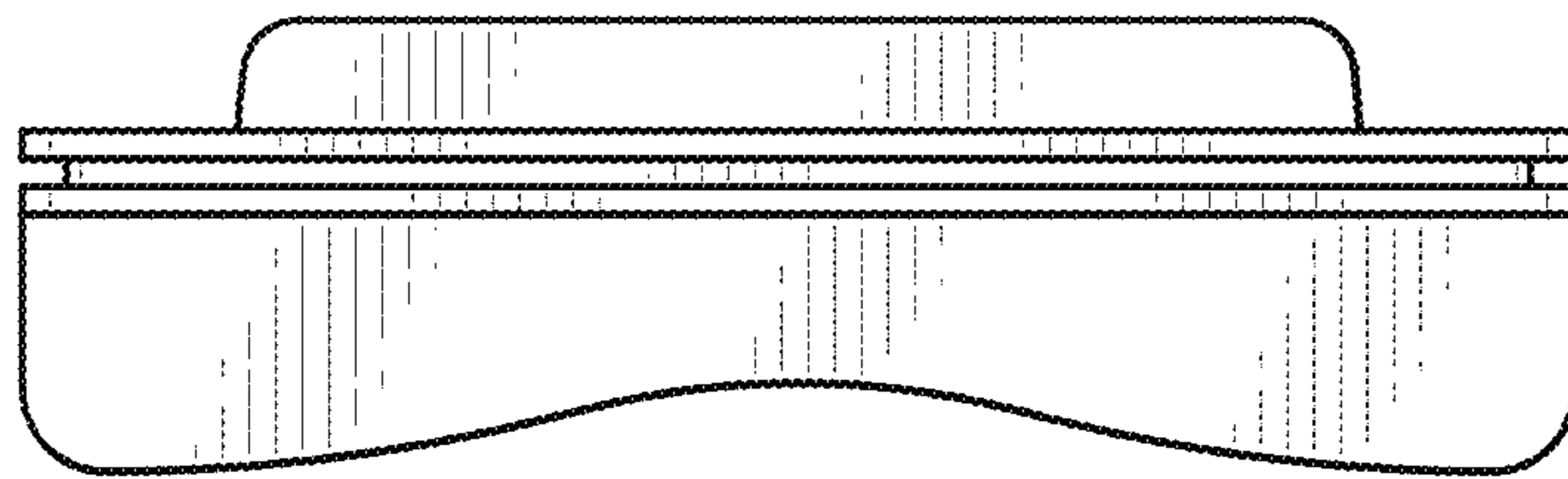


FIG. 5

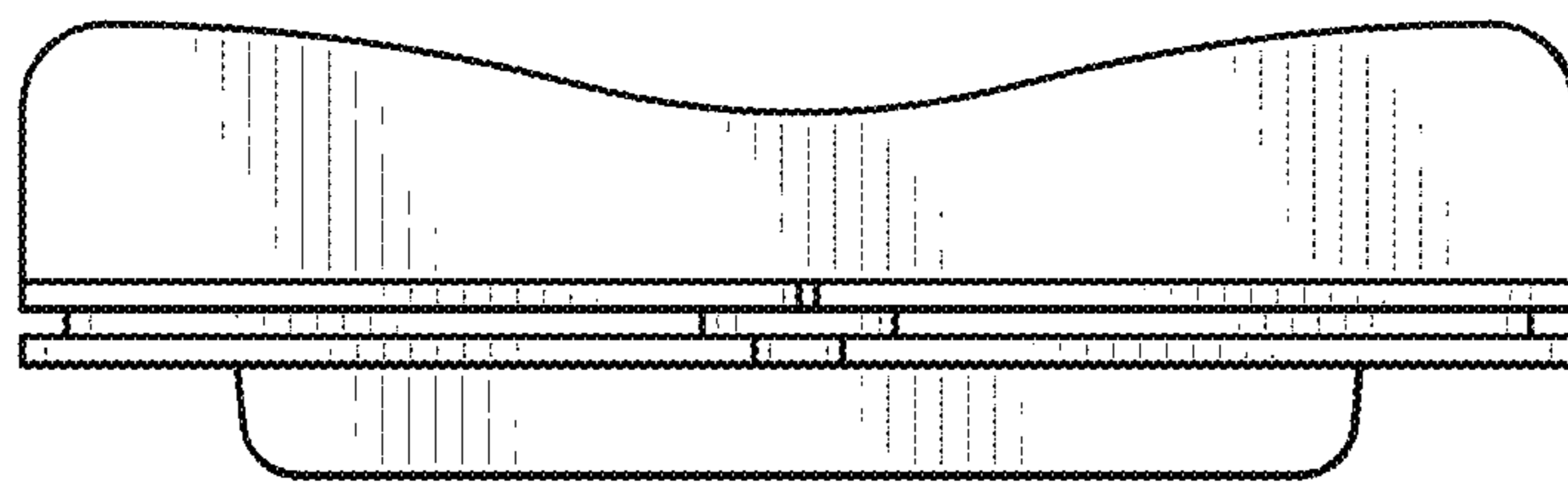


FIG. 6

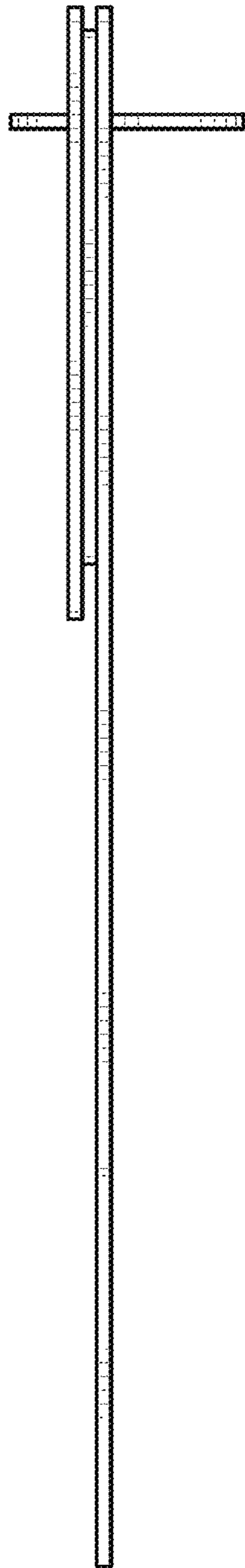


FIG. 7

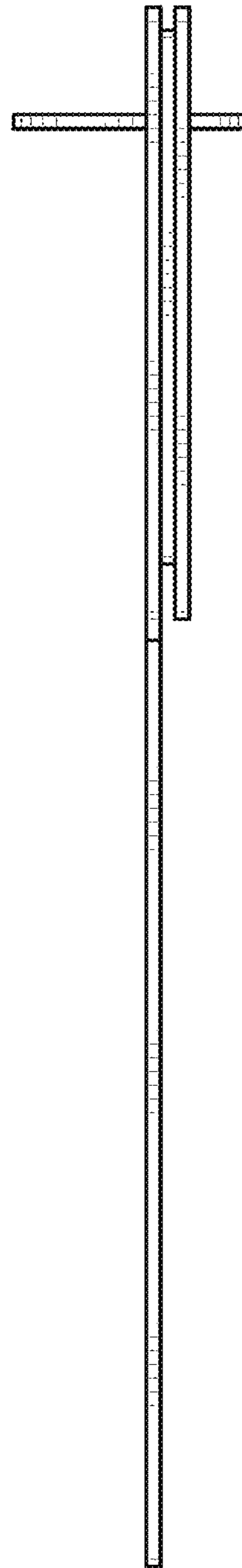


FIG. 8