



US00D857766S

(12) **United States Design Patent**  
**Tseng**

(10) **Patent No.:** **US D857,766 S**

(45) **Date of Patent:** **\*\* Aug. 27, 2019**

- (54) **ICE CUBE TRAY WITH LID**
- (71) Applicant: **Prestagon, LLC**, San Francisco, CA (US)
- (72) Inventor: **Michael Tseng**, San Francisco, CA (US)
- (73) Assignee: **Prestagon, LLC**, San Francisco, CA (US)
- (\*\*) Term: **15 Years**
- (21) Appl. No.: **29/623,347**
- (22) Filed: **Oct. 24, 2017**
- (51) **LOC (12) Cl.** ..... **15-07**
- (52) **U.S. Cl.**  
USPC ..... **D15/90**
- (58) **Field of Classification Search**  
USPC ..... D15/79-91  
CPC .. F25D 11/00; F25D 17/065; F25D 2325/022;  
F25D 23/069; F25D 25/025; F25D 11/02;  
F25D 17/062; F25D 21/12; F25D 21/125;  
F25D 21/14; F25D 2317/061; F25D  
2317/067; F25D 2323/021; F25D  
2323/024; F25D 23/028; F25D 23/04;  
F25D 23/066; F25D 23/085; F25D  
23/087; F25D 23/126; F25D 2400/02;  
F25D 2400/06; F25D 2400/361; F25D  
2400/40; F25D 25/005; F25D 25/02;  
F25D 2600/02; F25D 2700/02; F25D  
2700/12; F25D 2700/121; F25D 2700/14;  
F25D 29/00  
See application file for complete search history.

- 5,397,097 A \* 3/1995 Dale ..... F25C 1/243  
249/120
- 6,168,131 B1 \* 1/2001 Tabatabaie ..... F25C 1/24  
249/119
- 7,014,162 B2 \* 3/2006 Lion ..... F25C 1/24  
249/121
- D586,830 S \* 2/2009 de Groote ..... D15/90
- D636,412 S \* 4/2011 Misse ..... D15/90
- D697,095 S \* 1/2014 Chan ..... D15/90
- D759,735 S \* 6/2016 Tsai ..... D15/90
- D764,552 S \* 8/2016 Traub ..... D15/90
- D787,568 S \* 5/2017 Davies ..... D15/90

\* cited by examiner

*Primary Examiner* — Khawaja Anwar

(74) *Attorney, Agent, or Firm* — Milord A. Keshishian

(57) **CLAIM**

The ornamental design for an ice cube tray with lid, as shown and described.

**DESCRIPTION**

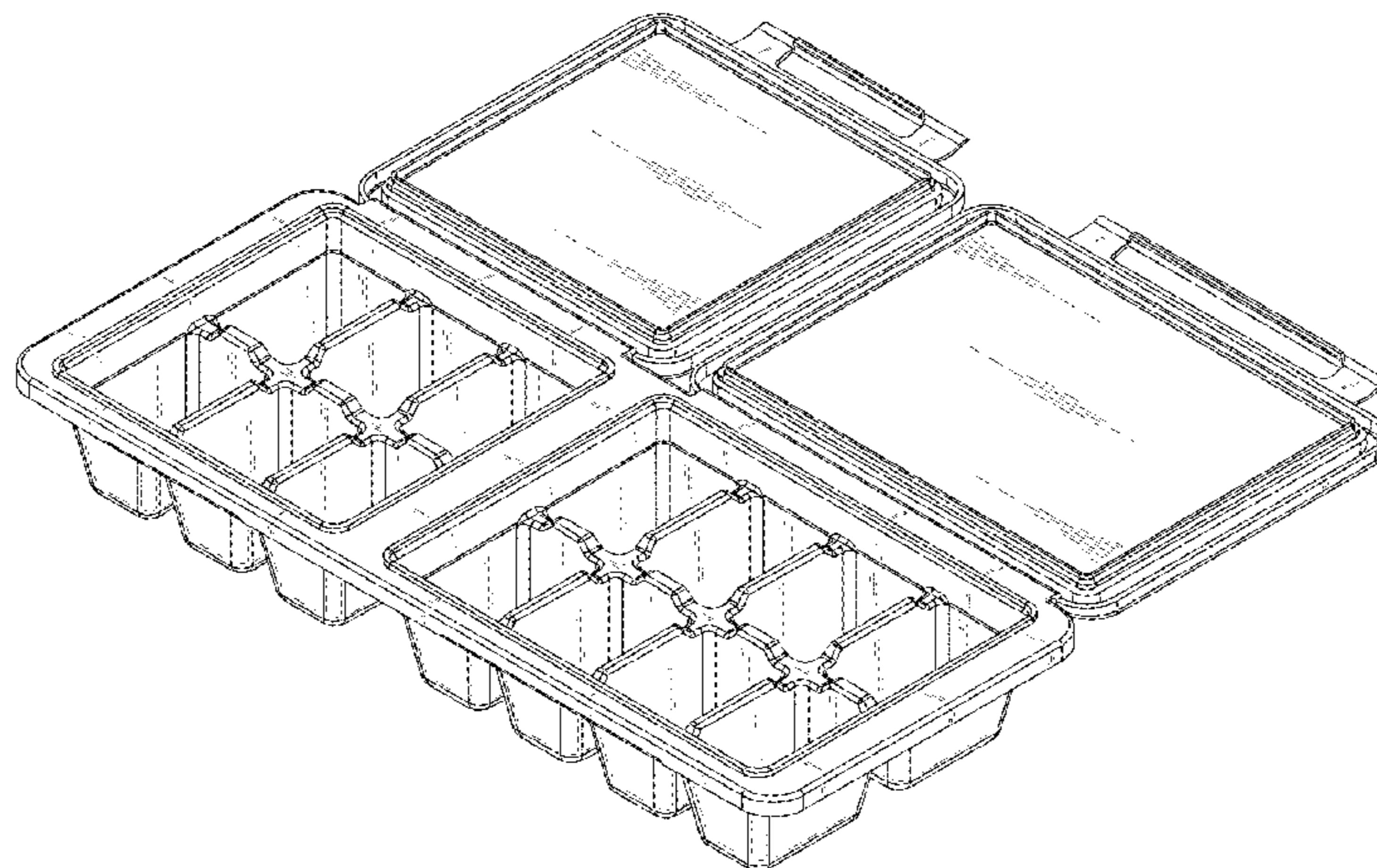
FIG. 1 is a top perspective view showing the front and top sides of the ice cube tray with lids in an open position; FIG. 2 is a front elevational view thereof with the lids in the closed position; FIG. 3 is a rear elevational view thereof with the lids in the closed position; FIG. 4 is a left side elevational view thereof with the lids in an open position; FIG. 5 is a right side elevational view thereof with the lids in an open position; FIG. 6 is a top plan view thereof with the lids in an open position; FIG. 7 is a bottom plan view thereof with the lids in an open position; FIG. 8 is a perspective view of the invention with the left lid closed and the right lid in an open position; and, FIG. 9 is a top plan view thereof with the lids in the closed position.

**1 Claim, 9 Drawing Sheets**

(56) **References Cited**

U.S. PATENT DOCUMENTS

- 4,081,122 A \* 3/1978 Hobson ..... B65D 85/324  
206/521.1
- 4,432,529 A \* 2/1984 McMillan ..... B65D 21/0223  
249/121



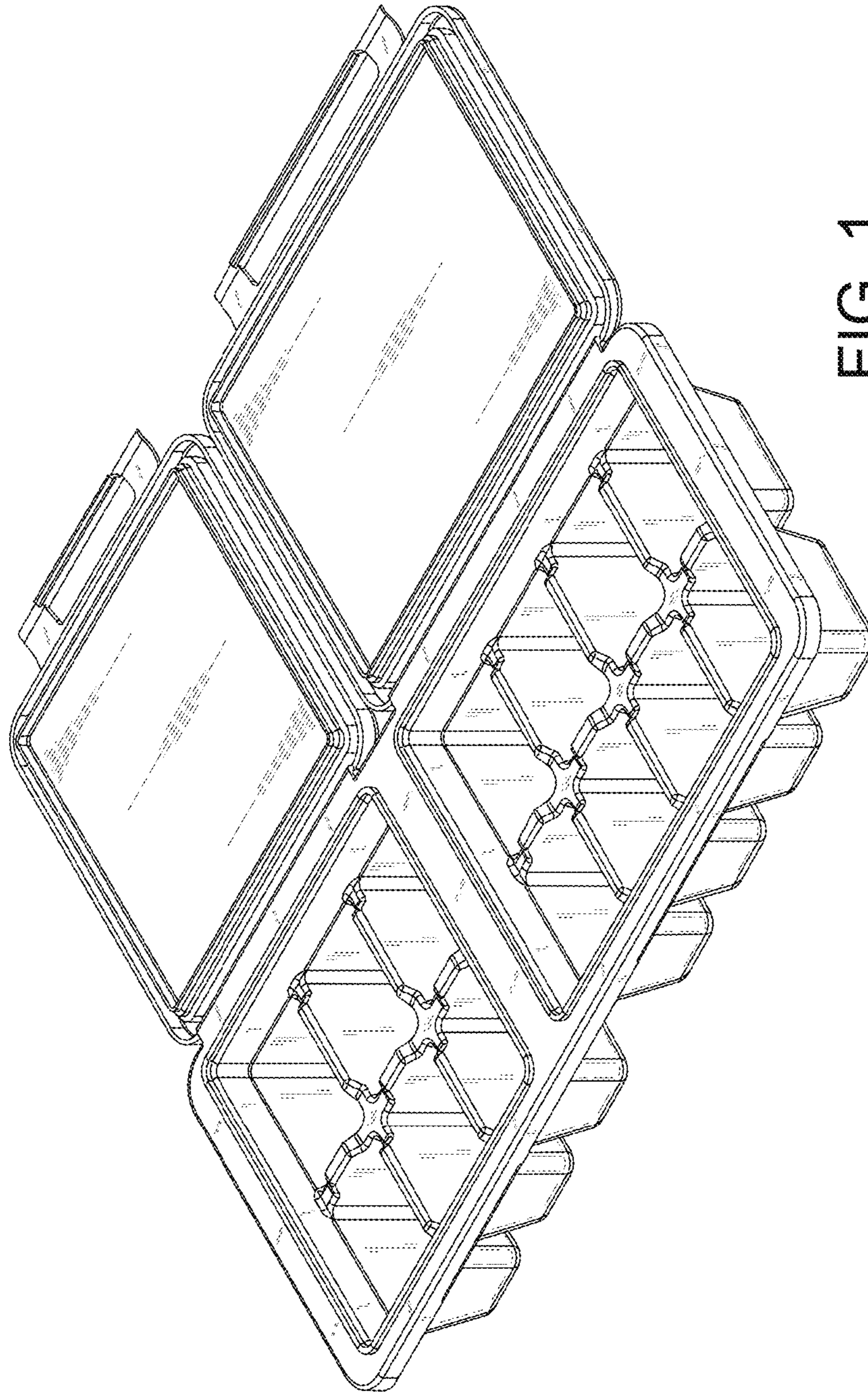


FIG. 1

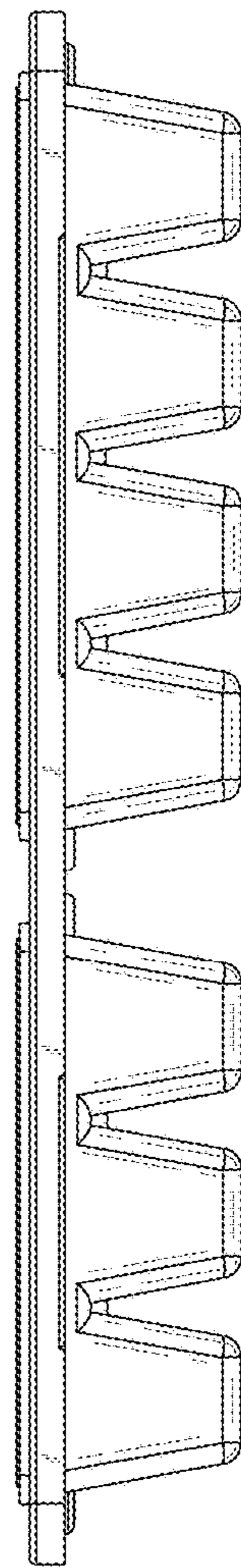


FIG. 2

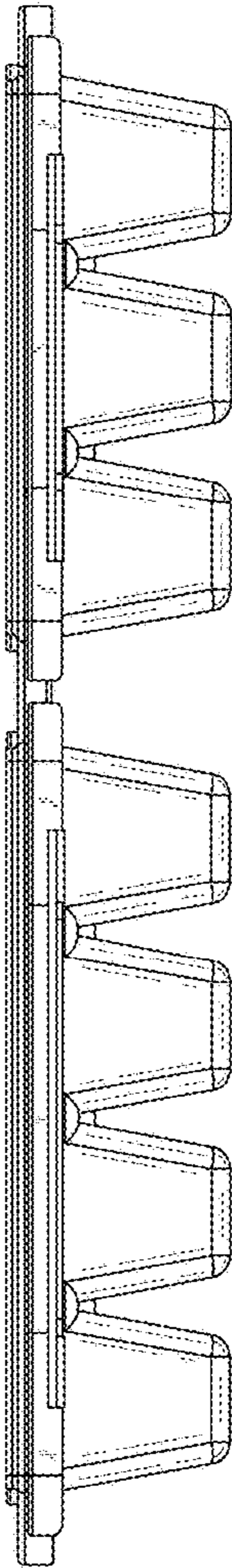


FIG. 3

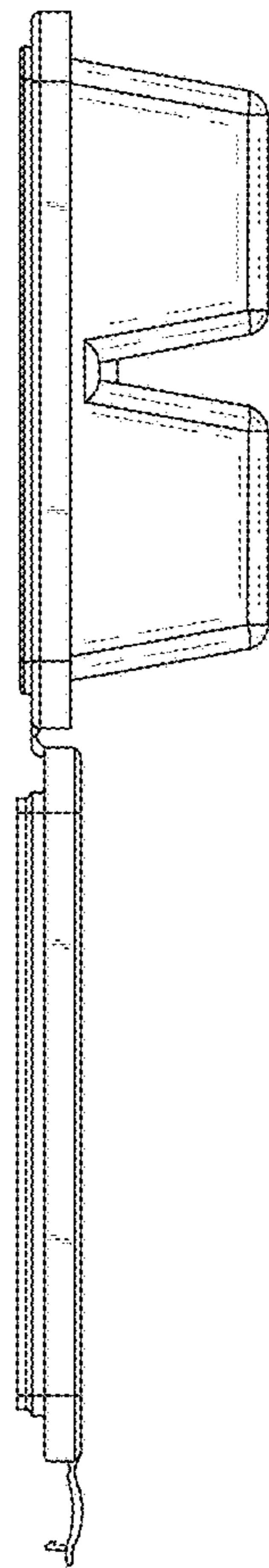


FIG. 4

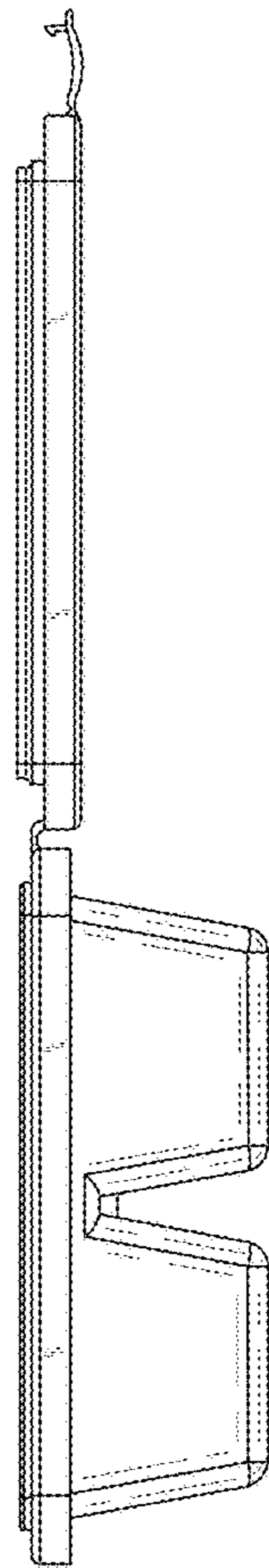


FIG. 5

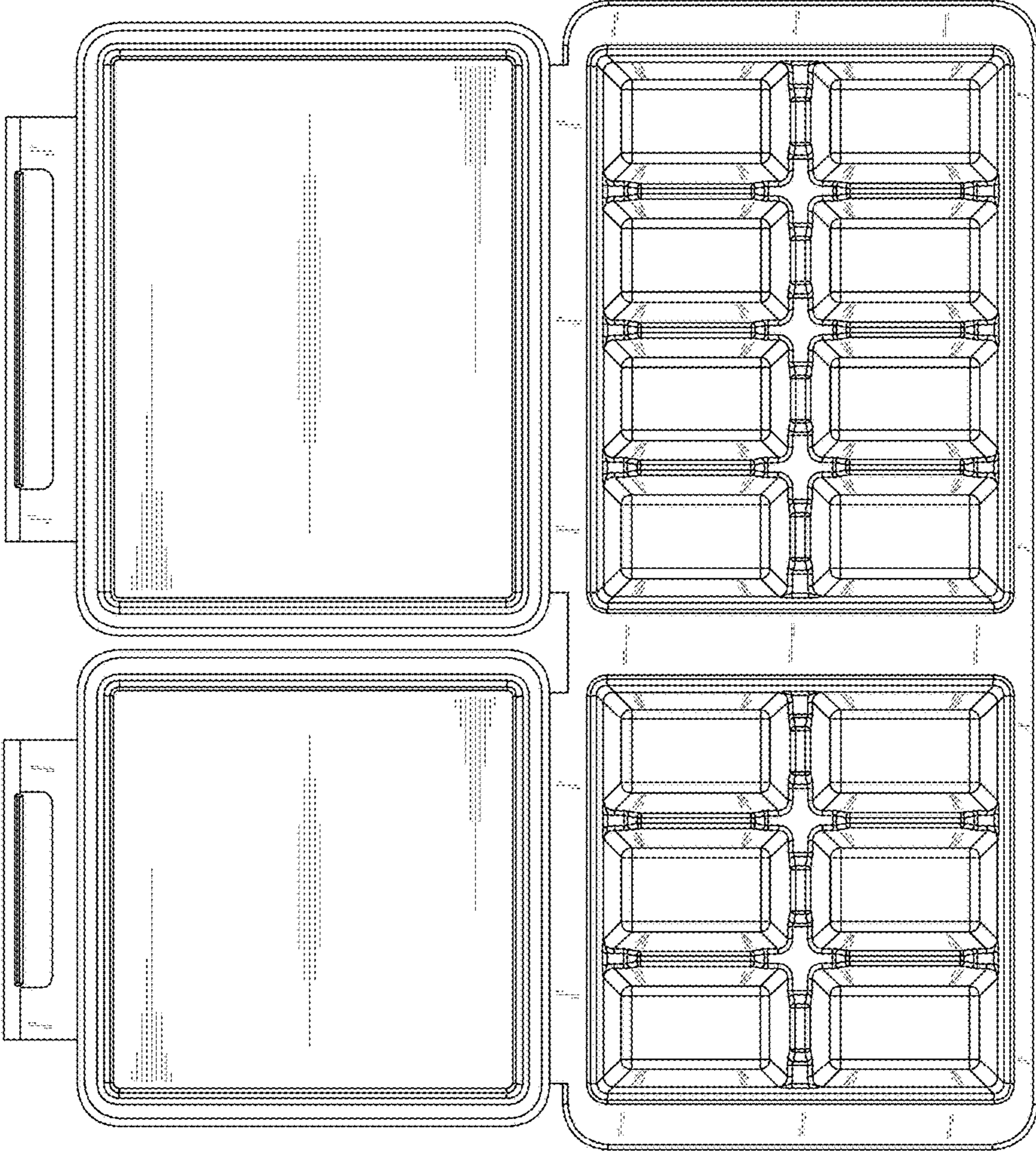


FIG. 6

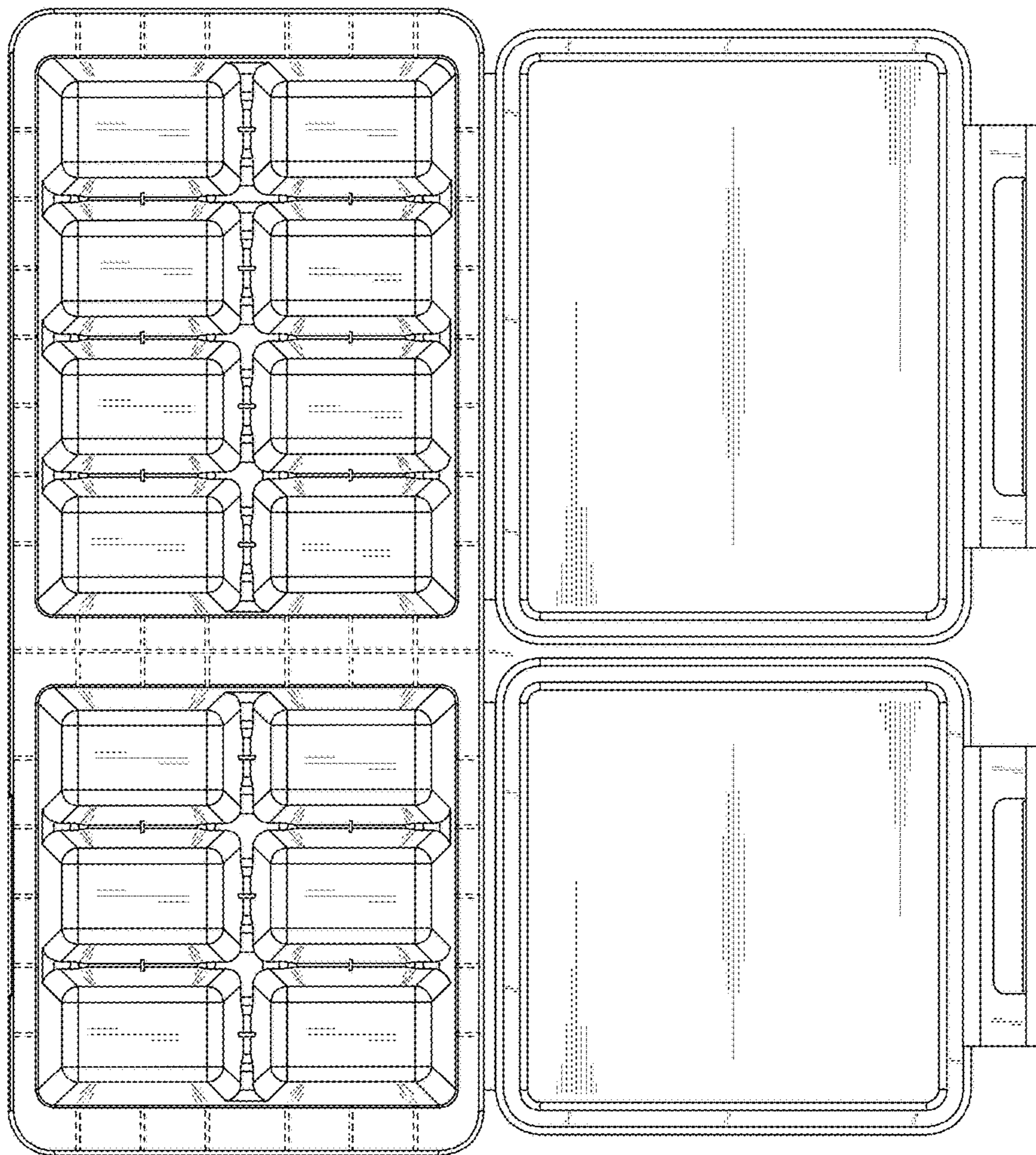


FIG. 7



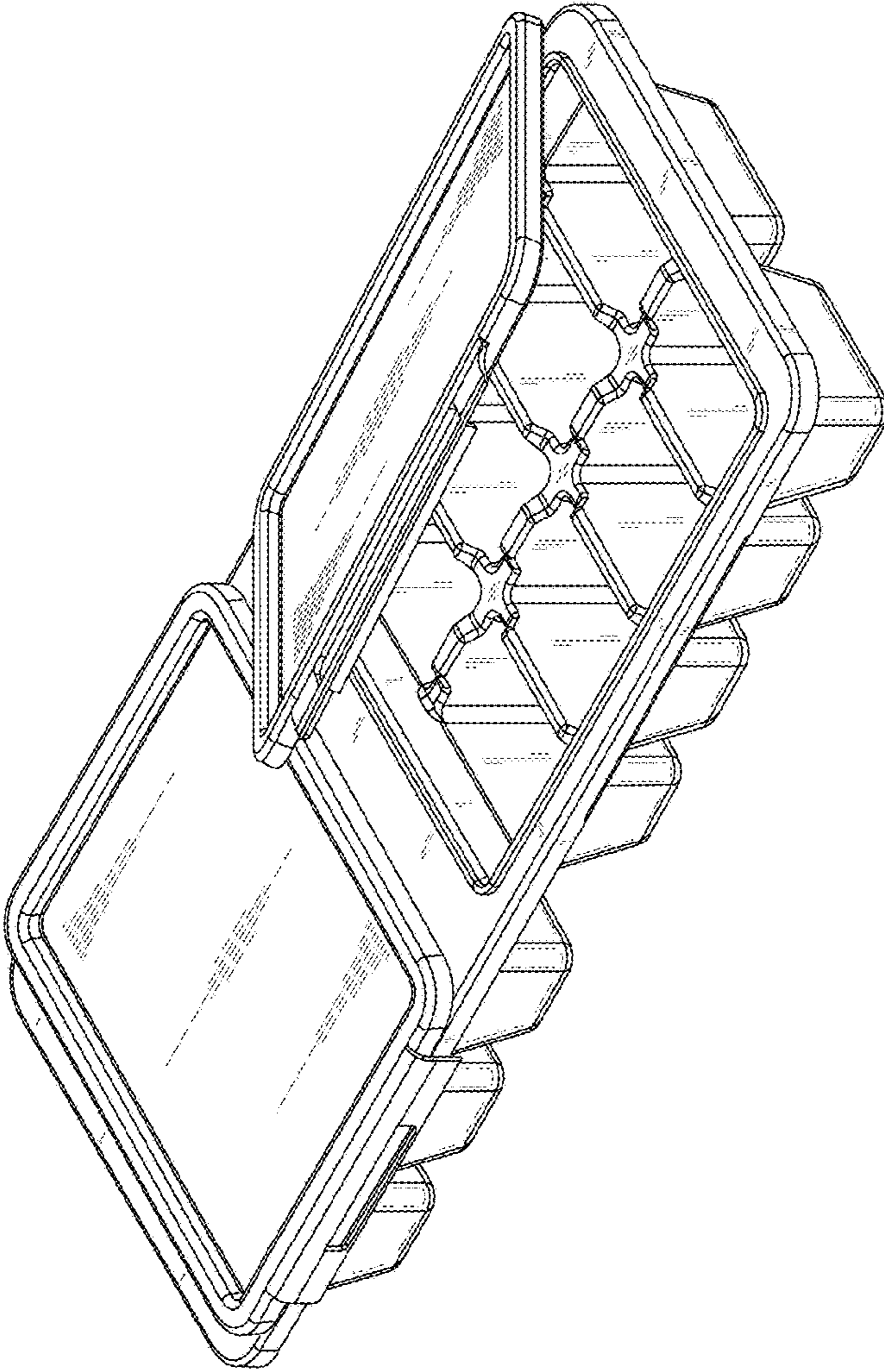


FIG. 8

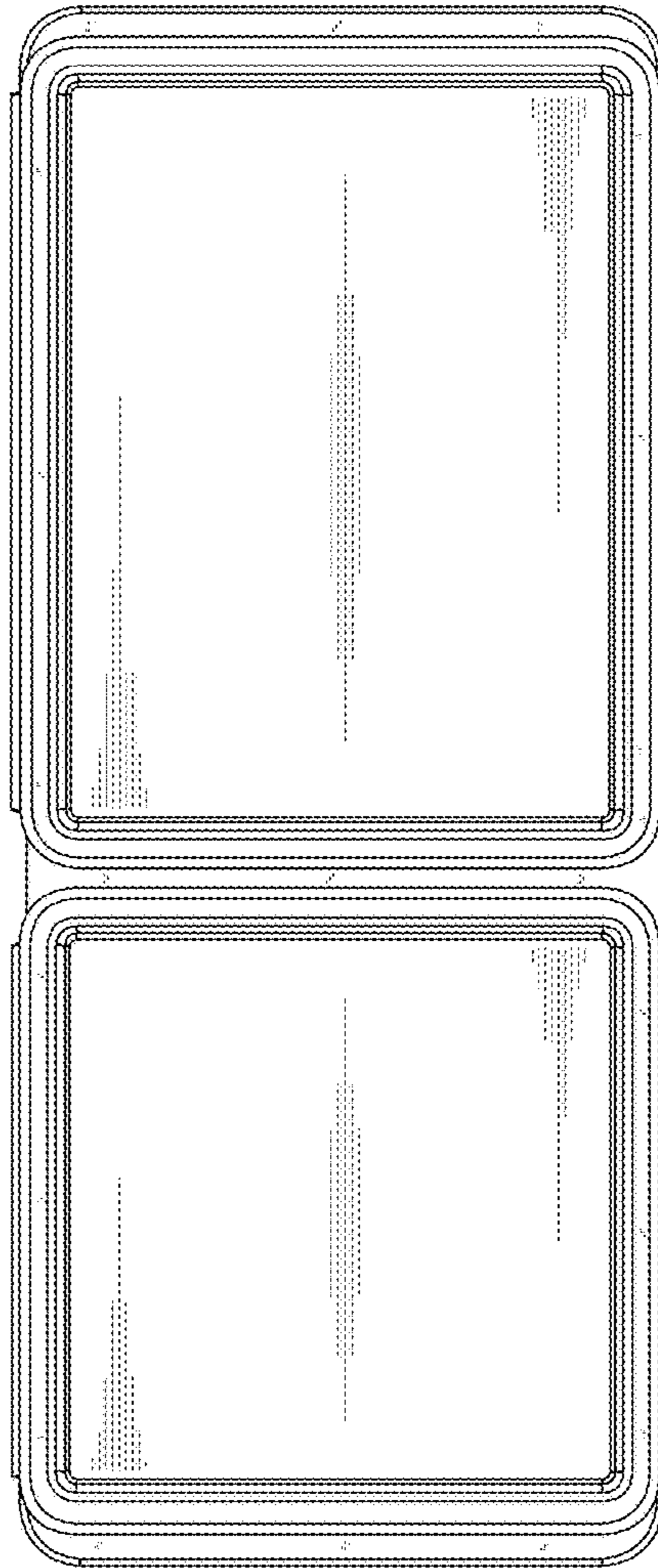


FIG. 9