



US00D857761S

(12) **United States Design Patent** (10) **Patent No.:** **US D857,761 S**
Balan et al. (45) **Date of Patent:** **** Aug. 27, 2019**

(54) **ADAPTER FOR A GROUND ENGAGING MACHINE IMPLEMENT**
(71) Applicant: **Caterpillar Inc.**, Deerfield, IL (US)
(72) Inventors: **Mihai Mircea Balan**, Dunlap, IL (US);
Douglas Serrurier, Morton, IL (US);
David M. Worth, Naperville, IL (US)
(73) Assignee: **Caterpillar Inc.**, Deerfield, IL (US)

2,256,488 A 9/1941 Murtaugh
2,427,651 A 9/1947 Baer
D182,143 S 2/1958 Petersen
2,982,035 A 5/1961 Stephenson
3,019,537 A 2/1962 Stephenson
3,079,710 A 3/1963 Larsen et al.
3,312,004 A 4/1967 Johnson
3,623,247 A 11/1971 Stepe
(Continued)

(**) Term: **15 Years**
(21) Appl. No.: **29/663,994**
(22) Filed: **Sep. 20, 2018**

FOREIGN PATENT DOCUMENTS

CL 2068-1995 10/1996
CL 391-1998 11/1998
(Continued)

Related U.S. Application Data

(63) Continuation of application No. 29/615,699, filed on Aug. 30, 2017, now Pat. No. Des. 832,310.
(51) **LOC (12) Cl.** **15-03**
(52) **U.S. Cl.**
USPC **D15/29**; D15/28
(58) **Field of Classification Search**
USPC D15/11, 28, 29; 37/456, 452, 450, 446, 37/454, 449, 453, 455, 903; 403/379.5, 403/DIG. 1; 111/152; 172/724, 730, 172/766, 770, 771, 721, 713, 699, 772
CPC Y10T 29/49826; Y10T 403/589; Y10T 403/7018; Y10T 403/7075; E02F 9/28; E02F 9/2825; E02F 9/2833; E02F 9/2866; E02F 9/2858; E02F 9/2808; E02F 9/2841
See application file for complete search history.

OTHER PUBLICATIONS

Caterpillar Inc., Cat® K Series™ Tooth Systems, brochure (4 pages), 2006.
(Continued)

Primary Examiner — Mark A Goodwin
(74) *Attorney, Agent, or Firm* — Saidman Design Law Group

(56) **References Cited**

U.S. PATENT DOCUMENTS

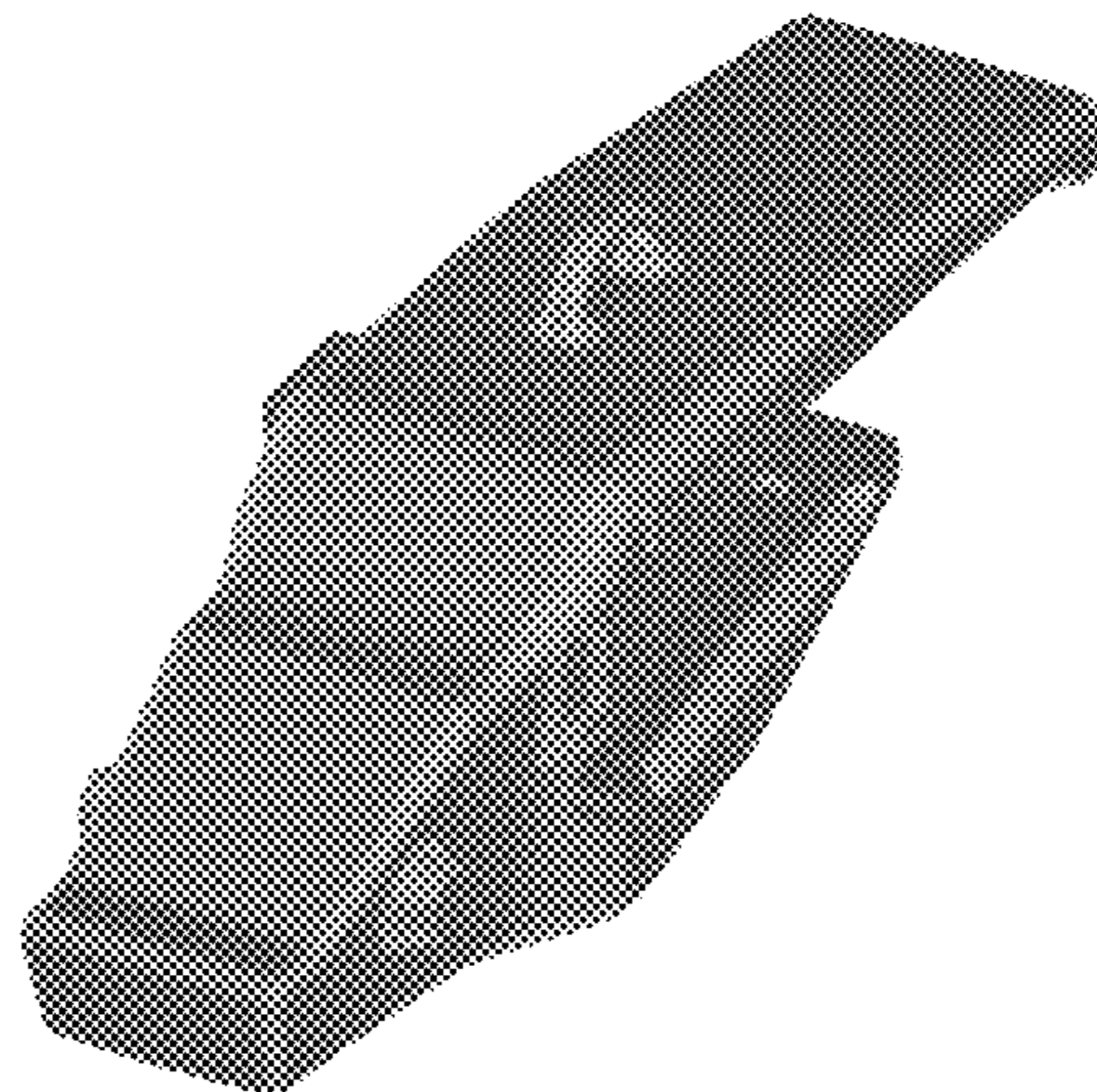
1,220,186 A 3/1917 Chambers
1,384,701 A 7/1921 McMonegal
1,571,782 A 2/1926 Andrews
1,856,930 A 5/1932 Robin

(57) **CLAIM**
The ornamental design for an adapter for a ground engaging machine implement, as shown and described.

DESCRIPTION

FIG. 1 is a perspective view of an adapter for a ground engaging machine implement showing our new design; FIG. 2 is a front view thereof; FIG. 3 is a rear view thereof; FIG. 4 is a left side view thereof; FIG. 5 is a right side view thereof; FIG. 6 is a top view thereof; and, FIG. 7 is a bottom view thereof. Grayscale shading illustrates contour.

1 Claim, 5 Drawing Sheets



(56)

References Cited

U.S. PATENT DOCUMENTS

| | | | | | |
|--------------|---------|------------------------|-----------------|---------|-------------------------|
| 3,774,324 A | 11/1973 | Lafond | D624,943 S | 10/2010 | Gibbon |
| 3,823,496 A | 7/1974 | Querci et al. | 8,122,621 B2 | 2/2012 | Carpenter et al. |
| 3,832,077 A | 8/1974 | Von Mehren | 8,191,291 B2 | 6/2012 | Vanderpoorten et al. |
| 4,027,408 A | 6/1977 | Ramella et al. | D706,307 S | 6/2014 | Renski et al. |
| D251,431 S | 3/1979 | Klett et al. | D706,311 S | 6/2014 | Renski et al. |
| D252,461 S | 7/1979 | Korpi | D706,312 S | 6/2014 | Renski et al. |
| 4,182,057 A | 1/1980 | Klett et al. | D706,839 S | 6/2014 | Renski et al. |
| D255,119 S | 5/1980 | Korpi | D706,840 S | 6/2014 | Renski et al. |
| 4,231,173 A | 11/1980 | Davis | D707,263 S | 6/2014 | Renski et al. |
| 4,335,532 A | 6/1982 | Hahn et al. | D707,264 S | 6/2014 | Renski et al. |
| D275,859 S | 10/1984 | Nilsson | 8,943,717 B2 | 2/2015 | Renski et al. |
| 4,481,728 A | 11/1984 | Mulder et al. | D727,367 S | 4/2015 | Renski et al. |
| 4,516,340 A | 5/1985 | Lauder | D727,368 S | 4/2015 | Renski et al. |
| D296,442 S | 6/1988 | Broomhall | D727,369 S | 4/2015 | Renski et al. |
| 4,761,900 A | 8/1988 | Emrich | D727,979 S | 4/2015 | Renski et al. |
| 4,776,113 A | 10/1988 | Bedford et al. | D727,980 S | 4/2015 | Renski et al. |
| 4,848,013 A | 7/1989 | Bowman et al. | D727,981 S | 4/2015 | Renski et al. |
| 4,932,145 A | 6/1990 | Reeves | D727,982 S | 4/2015 | Renski et al. |
| 4,949,481 A | 8/1990 | Fellner | D728,635 S | 5/2015 | Kunz |
| 4,965,945 A | 10/1990 | Emrich | D728,636 S | 5/2015 | Kunz |
| 4,980,980 A | 1/1991 | Schadov et al. | D728,637 S | 5/2015 | Kunz |
| 5,018,283 A | 5/1991 | Fellner | 9,057,177 B2 | 6/2015 | Renski et al. |
| 5,144,762 A | 9/1992 | Robinson | 9,062,436 B2 | 6/2015 | Renski et al. |
| D336,476 S | 6/1993 | Garman | 9,222,243 B2 | 12/2015 | Cheyne et al. |
| D339,592 S | 9/1993 | Johansson | D748,681 S | 2/2016 | Renski et al. |
| D345,364 S | 3/1994 | Robinson | D748,682 S | 2/2016 | Renski et al. |
| D352,044 S | 11/1994 | Hahn | D748,684 S | 2/2016 | Renski et al. |
| 5,423,138 A | 6/1995 | Livesay et al. | D748,685 S | 2/2016 | Kunz |
| D365,577 S | 12/1995 | Ruvang | D749,146 S | 2/2016 | Renski et al. |
| 5,561,925 A | 10/1996 | Livesay | D749,147 S | 2/2016 | Kunz |
| 5,666,748 A | 9/1997 | Emrich et al. | D761,883 S | 7/2016 | Kunz |
| D385,286 S | 10/1997 | Moreno | D769,946 S | 10/2016 | Kunz |
| 5,709,043 A | 1/1998 | Jones et al. | D774,108 S | 12/2016 | Balan et al. |
| D391,583 S | 3/1998 | Moreno | D774,109 S | 12/2016 | Balan et al. |
| D392,292 S | 3/1998 | Moreno | D774,110 S | 12/2016 | Balan et al. |
| D395,661 S | 6/1998 | Moreno | D774,564 S | 12/2016 | Balan et al. |
| 5,806,216 A | 9/1998 | Renski | D774,565 S | 12/2016 | Balan et al. |
| D399,511 S | 10/1998 | Lauder et al. | D774,566 S | 12/2016 | Balan et al. |
| 5,852,888 A | 12/1998 | Cornelius | D774,567 S | 12/2016 | Balan et al. |
| D408,422 S | 4/1999 | Moreno | D775,240 S | 12/2016 | Balan et al. |
| D410,657 S | 6/1999 | Lauder et al. | D775,241 S | 12/2016 | Balan et al. |
| D413,338 S | 8/1999 | Pueyo Molina | D775,242 S | 12/2016 | Balan et al. |
| 5,937,550 A | 8/1999 | Emrich | D775,243 S | 12/2016 | Serrurier et al. |
| D414,193 S | 9/1999 | Lauder et al. | D775,673 S | 1/2017 | Balan et al. |
| D415,173 S | 10/1999 | Zaun | D782,546 S | 3/2017 | Balan et al. |
| 5,983,534 A | 11/1999 | Robinson et al. | 9,644,347 B2 | 5/2017 | Balan et al. |
| D417,877 S | 12/1999 | Lauder et al. | 9,644,348 B2 | 5/2017 | Balan et al. |
| 6,032,390 A | 3/2000 | Bierwith | D790,601 S | 6/2017 | Balan et al. |
| D429,256 S | 8/2000 | Zaun | D790,602 S | 6/2017 | Balan et al. |
| D429,258 S | 8/2000 | Zaun | D790,603 S | 6/2017 | Balan et al. |
| 6,321,471 B2 | 11/2001 | Fernandez Muñoz et al. | D790,604 S | 6/2017 | Balan et al. |
| D454,891 S | 3/2002 | Ketting et al. | D790,605 S | 6/2017 | Balan et al. |
| H2020 H | 5/2002 | Kesavan et al. | D790,606 S | 6/2017 | Balan et al. |
| D460,464 S | 7/2002 | Ketting et al. | D790,607 S | 6/2017 | Balan et al. |
| D461,198 S | 8/2002 | Ketting et al. | D801,397 S | 10/2017 | Balan et al. |
| D461,832 S | 8/2002 | Ketting et al. | D803,274 S | 11/2017 | Serrurier et al. |
| 6,477,796 B1 | 11/2002 | Cornelius | D803,275 S | 11/2017 | Serrurier et al. |
| 6,735,890 B2 | 5/2004 | Carpenter et al. | D803,897 S | 11/2017 | Serrurier et al. |
| 6,745,503 B1 | 6/2004 | Moreno et al. | D803,898 S | 11/2017 | Serrurier et al. |
| 6,766,602 B2 | 7/2004 | Cox et al. | D803,899 S | 11/2017 | Serrurier et al. |
| D499,749 S | 12/2004 | Lauder et al. | D803,900 S | 11/2017 | Serrurier et al. |
| 6,836,983 B2 | 1/2005 | Moreno et al. | D803,901 S | 11/2017 | Serrurier et al. |
| 6,865,828 B1 | 3/2005 | Molino et al. | D803,902 S | 11/2017 | Serrurier et al. |
| 6,871,426 B2 | 3/2005 | Keech et al. | D805,112 S | 12/2017 | Serrurier et al. |
| D505,137 S | 5/2005 | Steinlage et al. | D805,562 S | 12/2017 | Serrurier et al. |
| D512,078 S | 11/2005 | Poutre | D806,139 S | 12/2017 | Serrurier et al. |
| D527,029 S | 8/2006 | Lauder et al. | D806,140 S | 12/2017 | Serrurier et al. |
| 7,100,315 B2 | 9/2006 | Carpenter et al. | D806,141 S | 12/2017 | Serrurier et al. |
| 7,168,193 B2 | 1/2007 | Moreno et al. | D806,142 S | 12/2017 | Serrurier et al. |
| D552,632 S | 10/2007 | De Martiis | D806,758 S | 1/2018 | Serrurier et al. |
| D560,232 S | 1/2008 | De Martiis | D806,759 S | 1/2018 | Serrurier et al. |
| 7,367,144 B2 | 5/2008 | Jones et al. | 9,976,287 B2 | 5/2018 | Kunz |
| D614,206 S | 4/2010 | Ruvang | D842,345 S * | 3/2019 | Kunz D15/29 |
| 7,739,814 B2 | 6/2010 | Carpenter et al. | D842,347 S * | 3/2019 | Bjerke D15/29 |
| 7,762,015 B2 | 7/2010 | Smith et al. | 2004/0010949 A1 | 1/2004 | Laguarda et al. |
| | | | 2008/0028644 A1 | 2/2008 | Almendros et al. |
| | | | 2011/0000109 A1 | 1/2011 | Woerman et al. |
| | | | 2012/0131821 A1 | 5/2012 | Brufau Guinovart et al. |
| | | | 2012/0260540 A1 | 10/2012 | Guimaraes et al. |

(56)

References Cited

U.S. PATENT DOCUMENTS

2012/0297649 A1 11/2012 Gomar
 2013/0086825 A1 4/2013 Renski et al.
 2013/0185964 A1 7/2013 Anisy et al.
 2013/0333254 A1 12/2013 Wallis et al.
 2014/0173948 A1 6/2014 Ok et al.
 2014/0259806 A1 9/2014 Rimmey
 2014/0259808 A1 9/2014 LaHood et al.
 2014/0352182 A1 12/2014 LaHood et al.
 2015/0167278 A1 6/2015 Rivera et al.
 2016/0083935 A1 3/2016 Edmonds
 2016/0160475 A1 6/2016 Kunz

FOREIGN PATENT DOCUMENTS

CL 1193-1999 9/1999
 CL 223-1999 11/1999
 CL 1457-1999 11/1999
 CL 1583-1999 6/2000
 CL 2671-2005 7/2006
 CL 3115-2005 9/2006
 CL 3116-2005 9/2006
 CL 173-2008 8/2008
 CL 174-2008 8/2008
 CL 2524-2008 1/2009
 CL 1764-2008 7/2009
 CL 618-2010 11/2010
 CL 739-2010 12/2010
 CL 291-2012 11/2012
 CN 3462432 7/2005
 EM 000089099-0001-0003 10/2003
 EM 000877477-0001-0009 1/2008

EM 000895396-0001-0015 3/2008
 EP 0 411 486 A1 2/1991
 EP 1174547 B1 8/2006
 EP 2 011 927 A2 1/2009
 GB 1049195 3/1988
 GB 1050103 4/1988
 GB 2010025 4/1990
 GB 2010026 4/1990
 GB 2057051 12/1995
 GB 2057052 12/1995
 GB 2057053 12/1995
 GB 2060104 4/1996
 GB 2060105 4/1996
 GB 2057055 5/1996
 GB 2091441 10/1999
 GB 2091502 10/1999
 GB 2095654 3/2000
 GB 2097590 3/2000
 GB 2097591 4/2000
 GB 2097592 4/2000
 GB 2097593 5/2000
 GB 2104929 3/2001
 GB 2106421 4/2001
 WO 2015/165505 A1 11/2015

OTHER PUBLICATIONS

Caterpillar Inc., "Cat Backhoe Loader Options," published Jan. 1, 2005.
 Caterpillar Inc., Cat® Advansys™ Tips and Adapters, brochure (4 pages), 2017.
 U.S. Appl. No. 29/587,783, filed Dec. 15, 2016. (Unpublished).

* cited by examiner

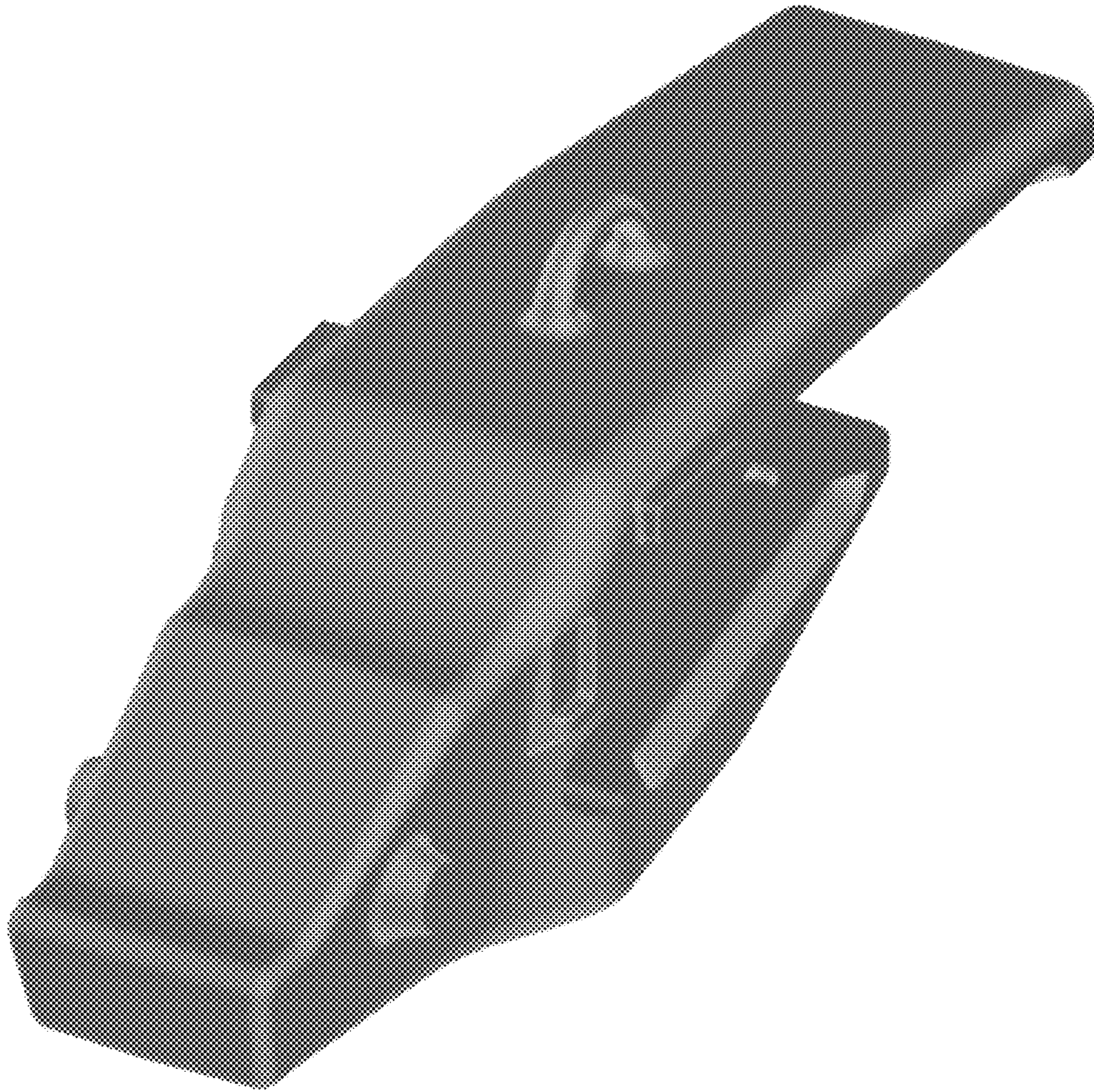


Fig. 1

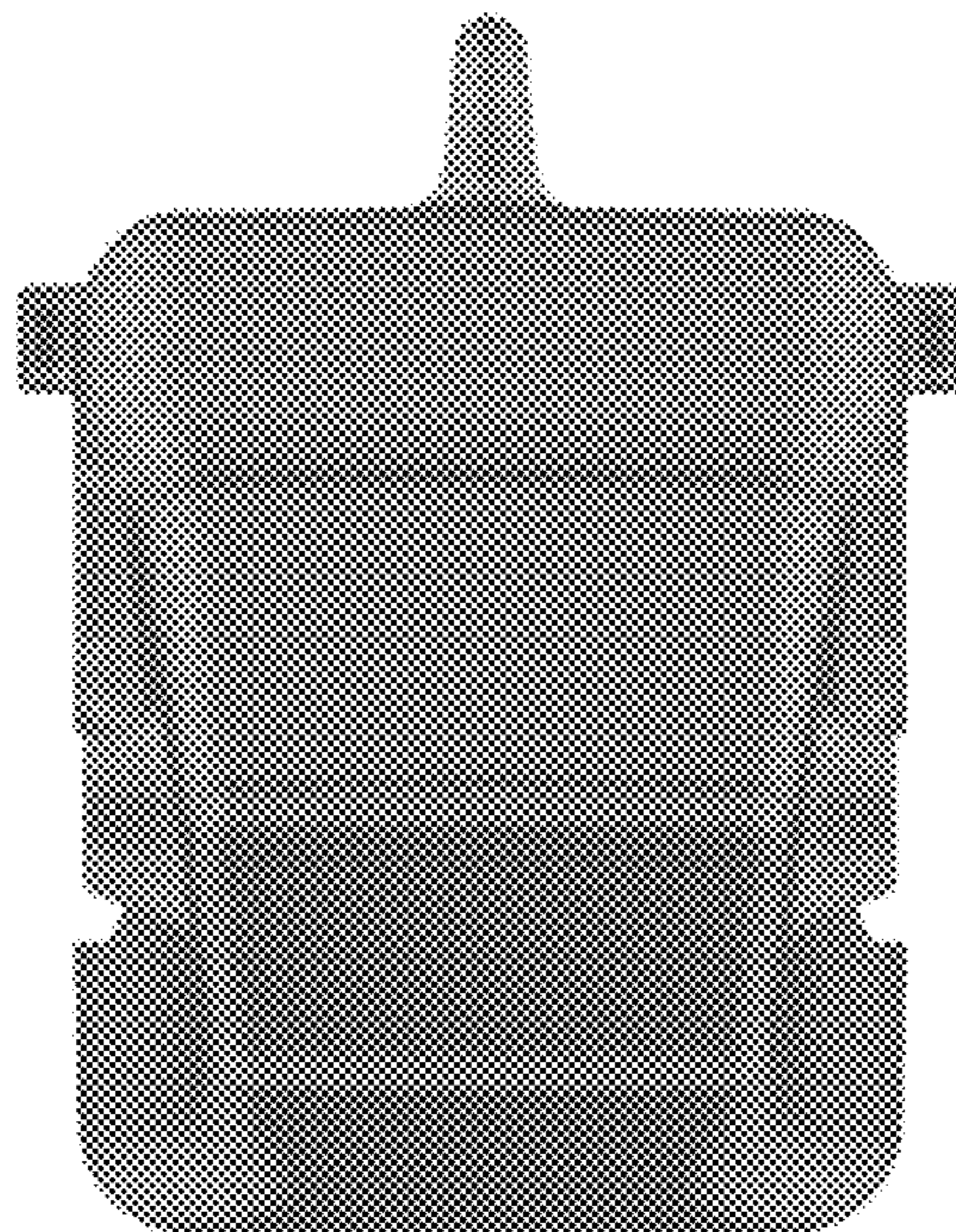


Fig. 2

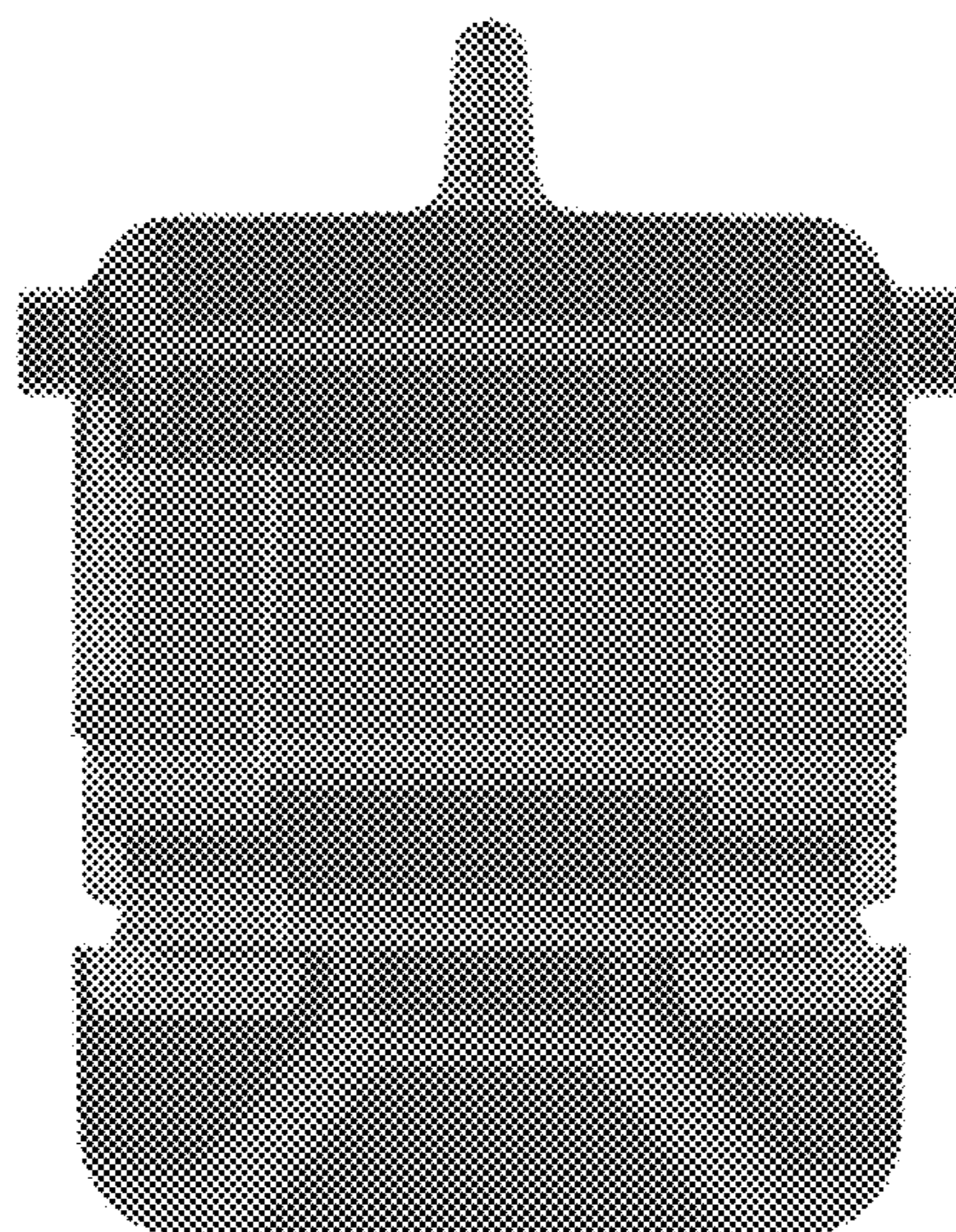


Fig. 3



Fig. 4

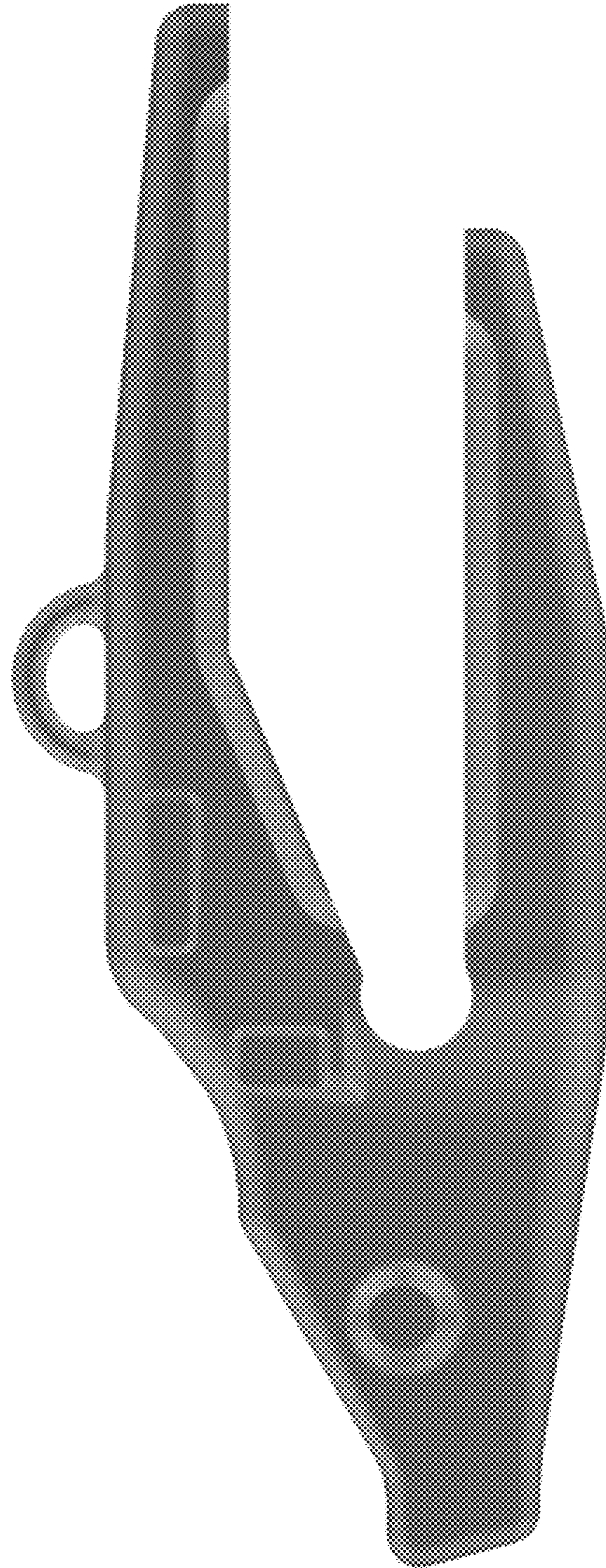


Fig. 5

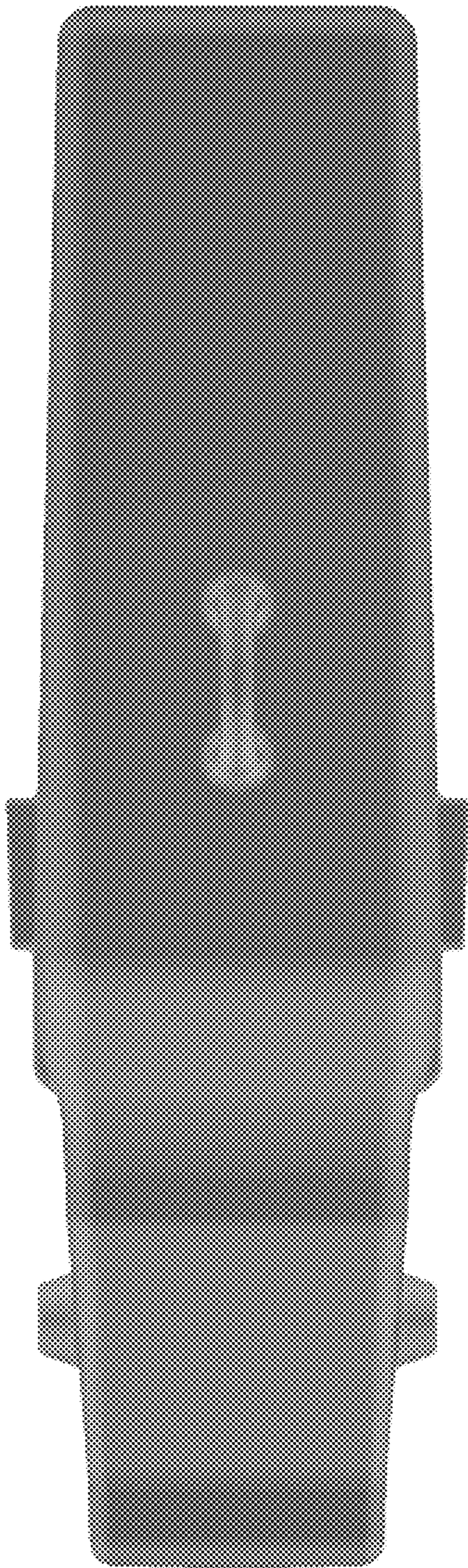


Fig. 6

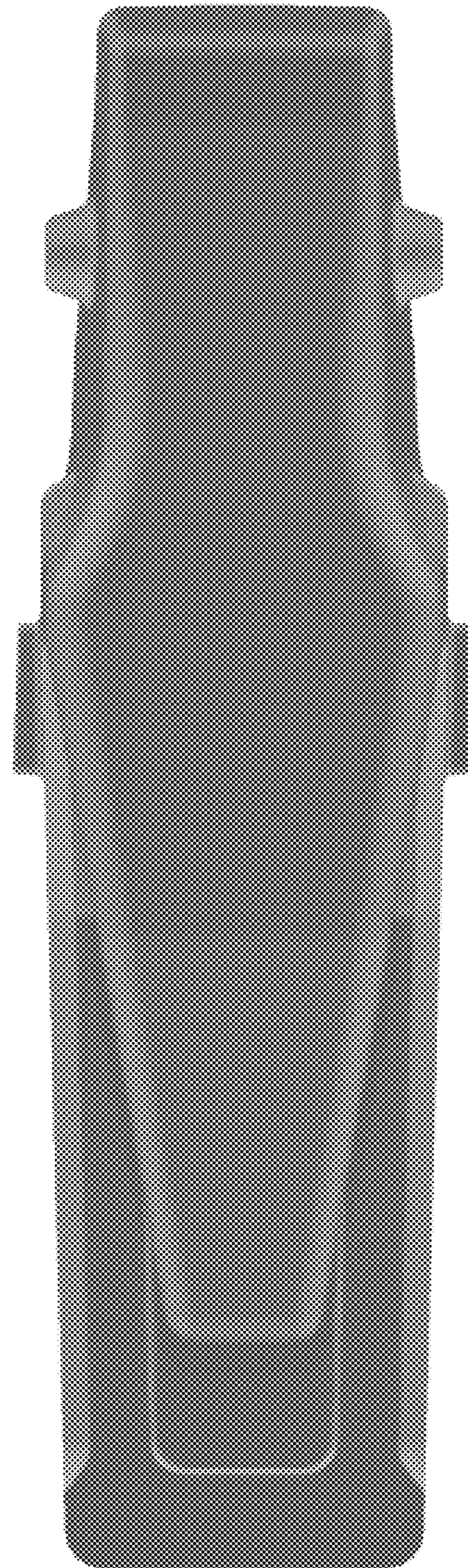


Fig. 7