



US00D857754S

(12) **United States Design Patent** (10) **Patent No.:** **US D857,754 S**  
**Cam et al.** (45) **Date of Patent:** **\*\* Aug. 27, 2019**

(54) **VESSEL FOR ELECTROCHEMICAL TREATMENT**  
(71) Applicant: **Hydrus Technology Pty. Ltd.**, Brisbane (AU)  
(72) Inventors: **David Victor Cam**, Brisbane (AU); **John Frederick Ellers**, Brisbane (AU); **Brook Douglas Hill**, Brisbane (AU)  
(73) Assignee: **HYDRUS TECHNOLOGY PTY. LTD.**, Brisbane, Queensland (AU)  
(\*\*) Term: **15 Years**

8,133,382 B2 \* 3/2012 Powell ..... C02F 1/463 205/742  
D737,872 S \* 9/2015 Johansson ..... D15/123  
D812,542 S \* 3/2018 LaPant ..... D12/218  
D819,778 S \* 6/2018 Polacek ..... D23/202  
(Continued)

*Primary Examiner* — Mark A Goodwin  
(74) *Attorney, Agent, or Firm* — DeLio Peterson & Curcio LLC; Thomas E. Ciesco

(21) Appl. No.: **29/564,171**  
(22) Filed: **May 11, 2016**  
(30) **Foreign Application Priority Data**  
Nov. 11, 2015 (AU) ..... 201516029  
(51) **LOC (12) Cl.** ..... **15-03**  
(52) **U.S. Cl.**  
USPC ..... **D15/21**  
(58) **Field of Classification Search**  
USPC ..... D15/10, 21; D23/202  
CPC ..... C02F 1/463; C02F 1/46109; C02F 1/24; C02F 2001/46152; C02F 2001/4611; C02F 2001/4605; C02F 2001/4614; C02F 2001/4619; Y02W 10/37  
See application file for complete search history.

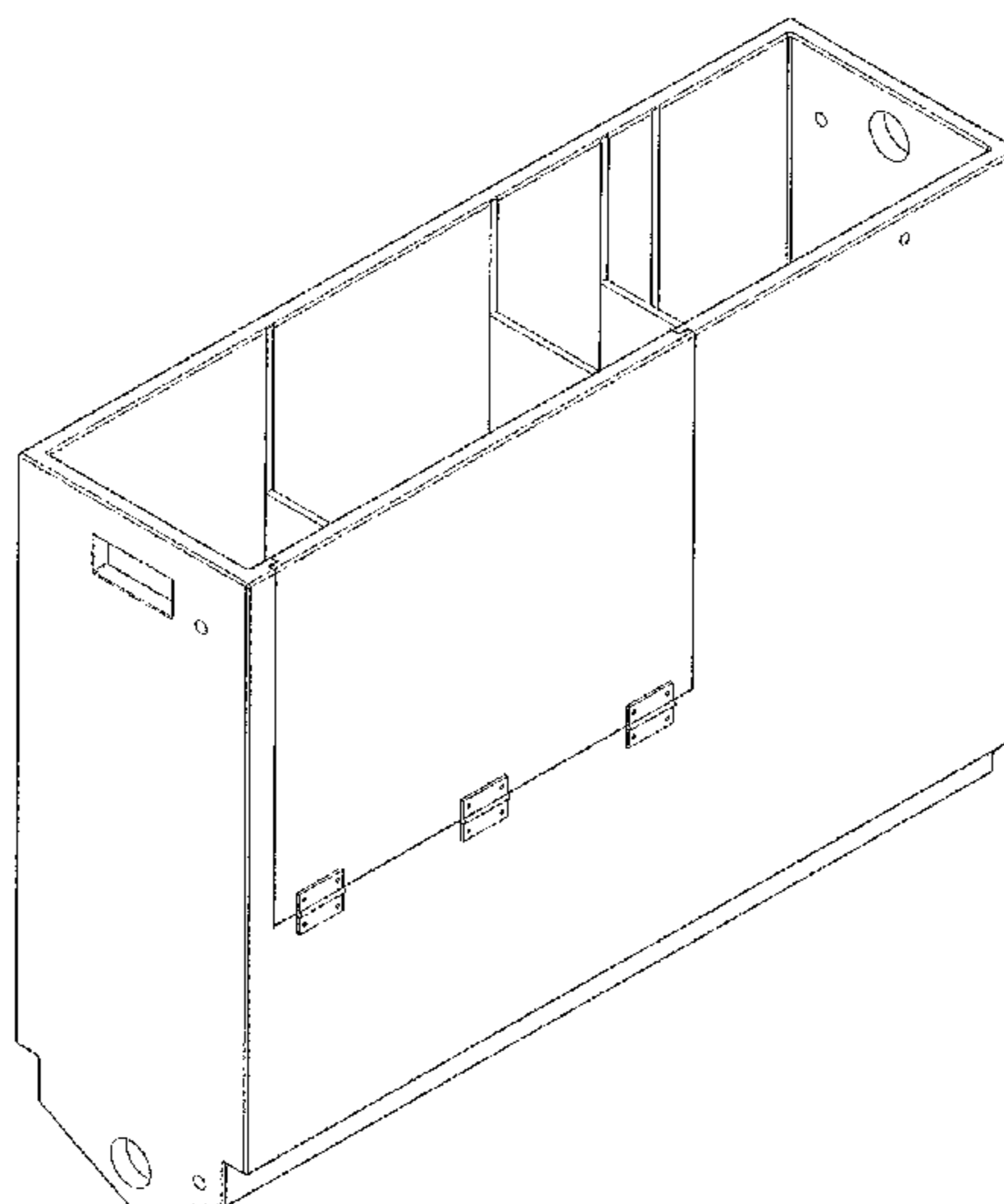
(57) **CLAIM**  
We claim the ornamental design for a “vessel for electrochemical treatment,” as shown and described.

**DESCRIPTION**

FIG. 1 is a top right perspective view of a vessel for electrochemical treatment;  
FIG. 2 is a top view of the vessel of FIG. 1;  
FIG. 3 is a bottom view of the vessel of FIG. 1;  
FIG. 4 is a second top right perspective view of the vessel of FIG. 1;  
FIG. 5 is a right view of the vessel of FIG. 1;  
FIG. 6 is a right cross sectional view of the vessel of FIG. 1;  
FIG. 7 is a left view of the vessel of FIG. 1;  
FIG. 8 is a left cross sectional view of the vessel of FIG. 1;  
FIG. 9 is a front view of the vessel of FIG. 1;  
FIG. 10 is a front right perspective cross sectional view of the vessel of FIG. 1;  
FIG. 11 is a front left perspective cross sectional view of the vessel of FIG. 1;  
FIG. 12 is a bottom right perspective view of the vessel of FIG. 1;  
FIG. 13 is a bottom left perspective view of the vessel of FIG. 1;  
FIG. 14 is a back view of the vessel of FIG. 1; and,  
FIG. 15 is a back right perspective cross sectional view of the vessel of FIG. 1.

(56) **References Cited**  
U.S. PATENT DOCUMENTS  
D263,737 S \* 4/1982 Acero ..... 454/67  
D266,108 S \* 9/1982 Acero ..... D23/371  
D447,535 S \* 9/2001 Oakley ..... D12/95  
7,758,742 B2 \* 7/2010 Powell ..... C02F 1/463 205/742  
D654,556 S \* 2/2012 McIntosh ..... D23/202

**1 Claim, 14 Drawing Sheets**



(56)

**References Cited**

U.S. PATENT DOCUMENTS

2005/0274606 A1\* 12/2005 Powell ..... C02F 1/463  
204/228.2  
2010/0252447 A1\* 10/2010 Powell ..... C02F 1/463  
205/743  
2016/0318785 A1\* 11/2016 Enslow ..... C02F 9/00  
2018/0009681 A1\* 1/2018 Cam ..... B01D 17/0211

\* cited by examiner

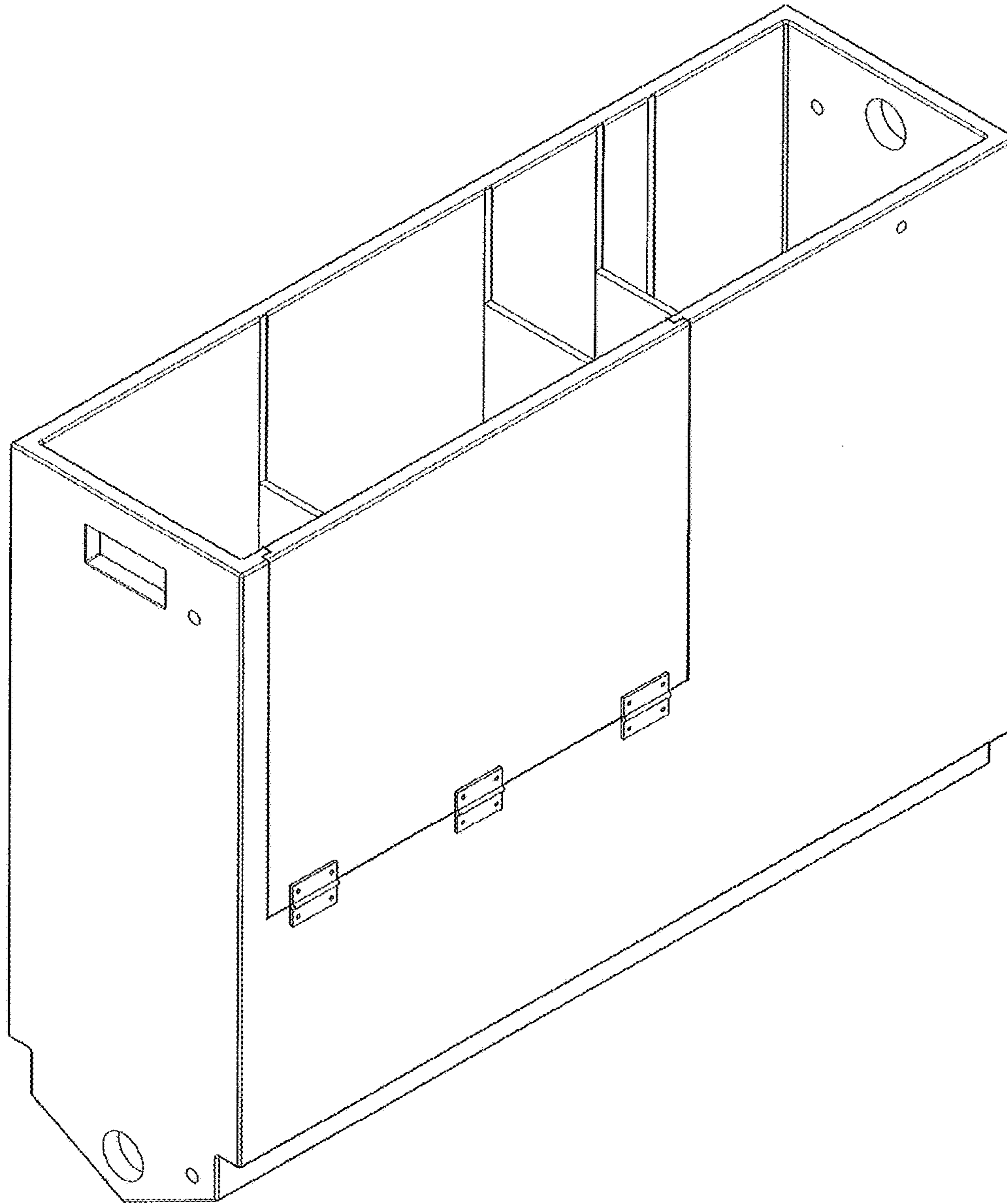


FIGURE 1

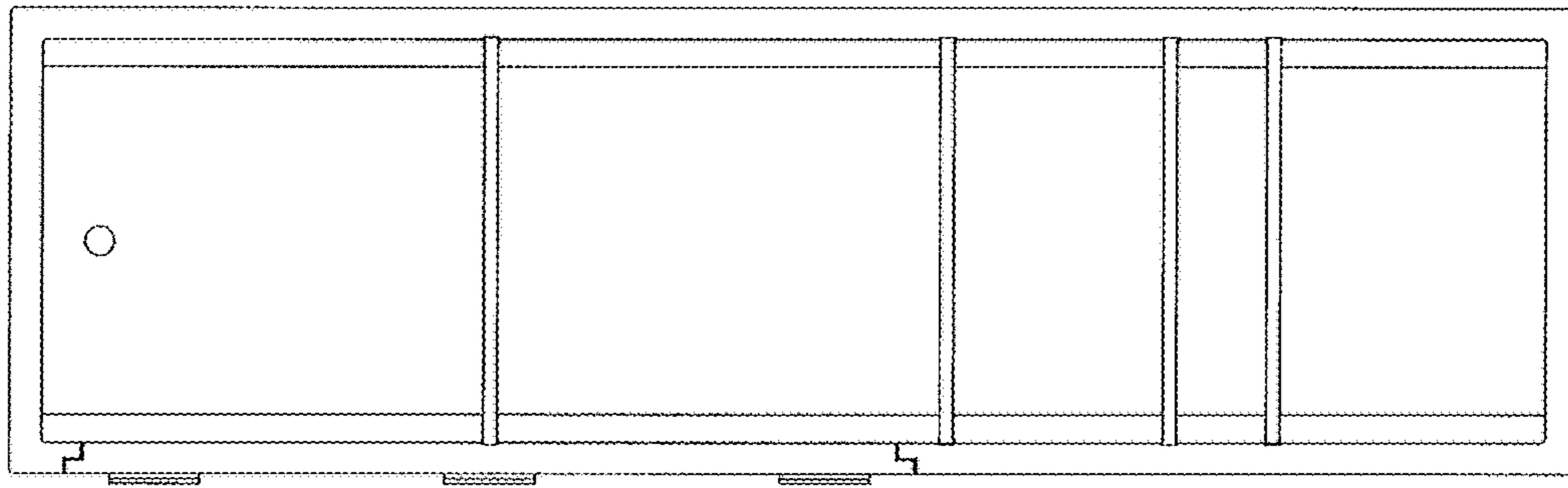


FIGURE 2

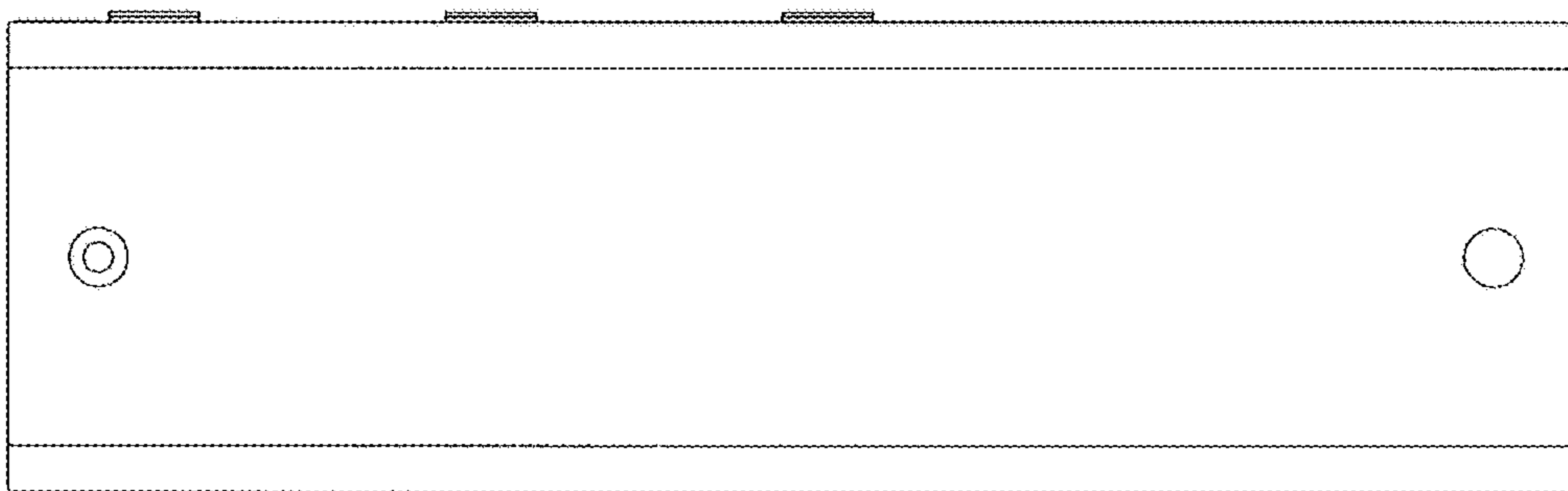


FIGURE 3

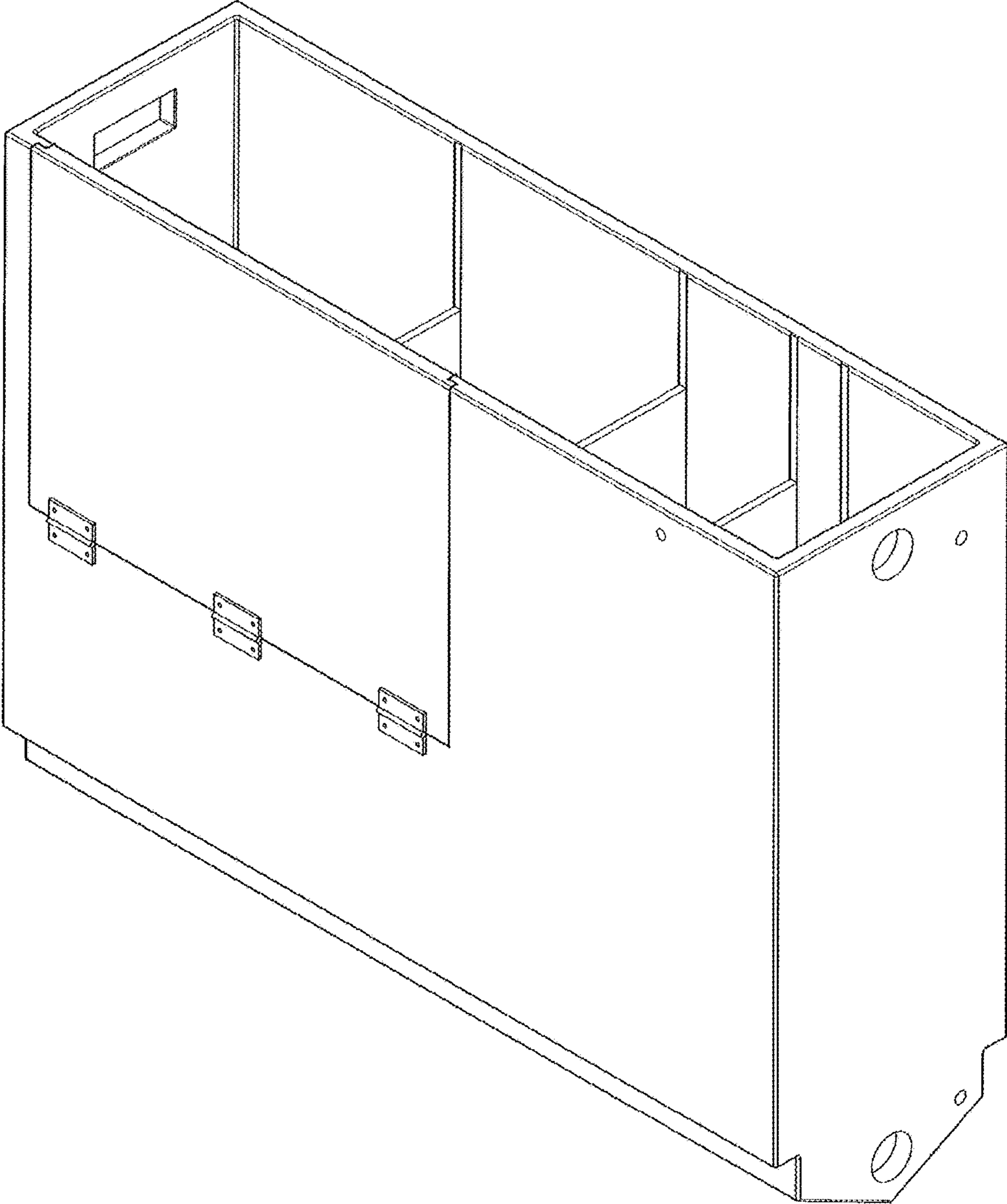


FIGURE 4

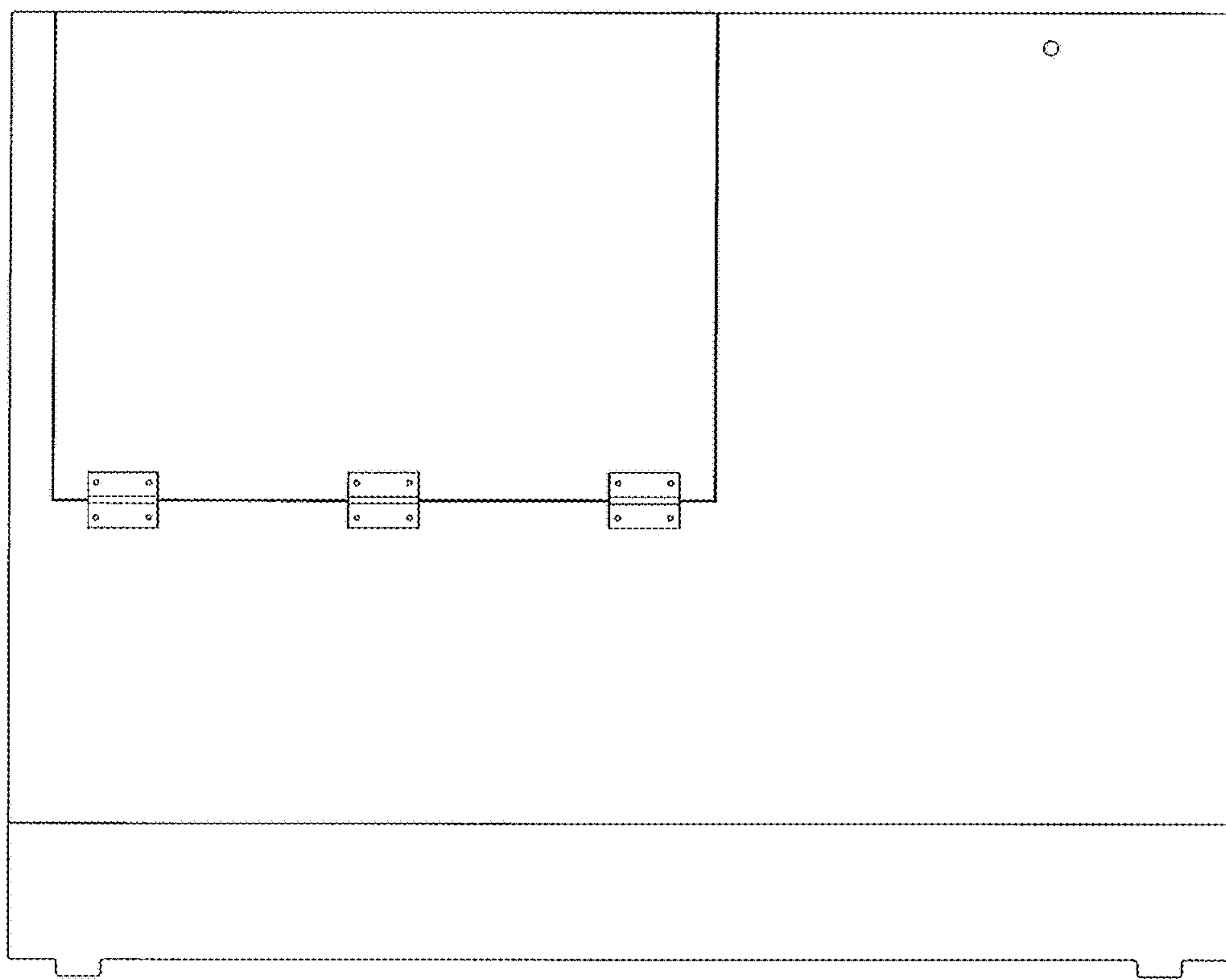


FIGURE 5

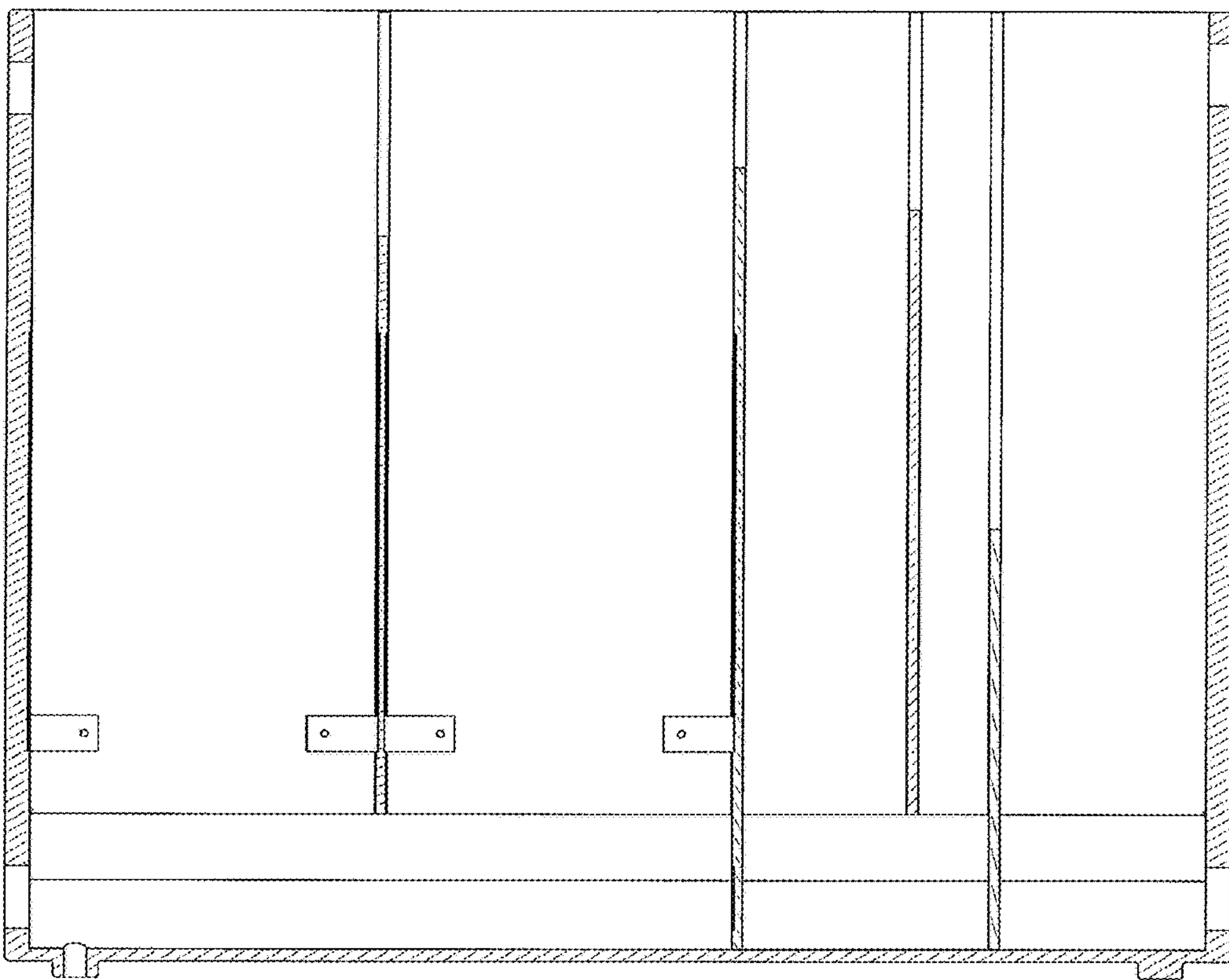


FIGURE 6

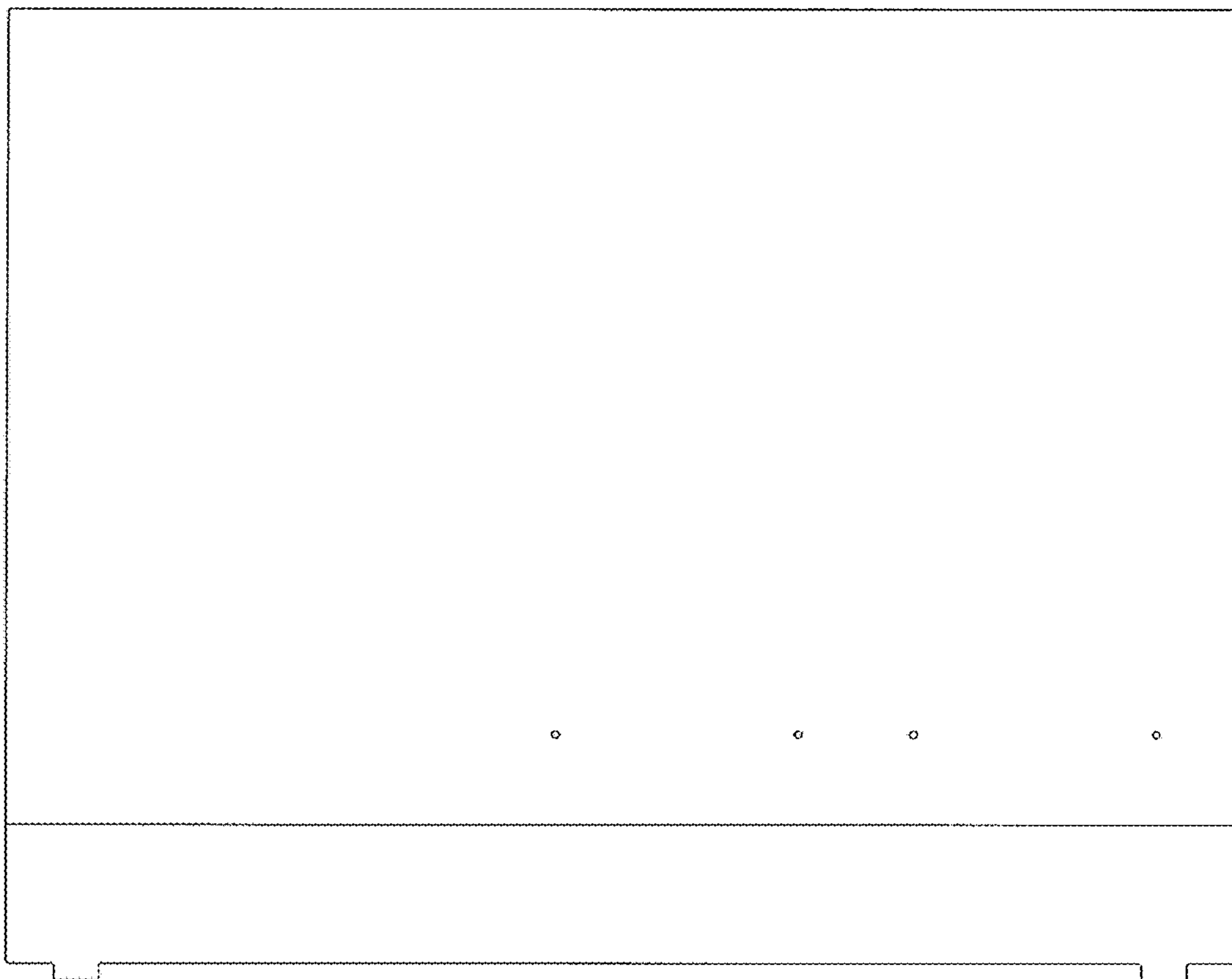


FIGURE 7



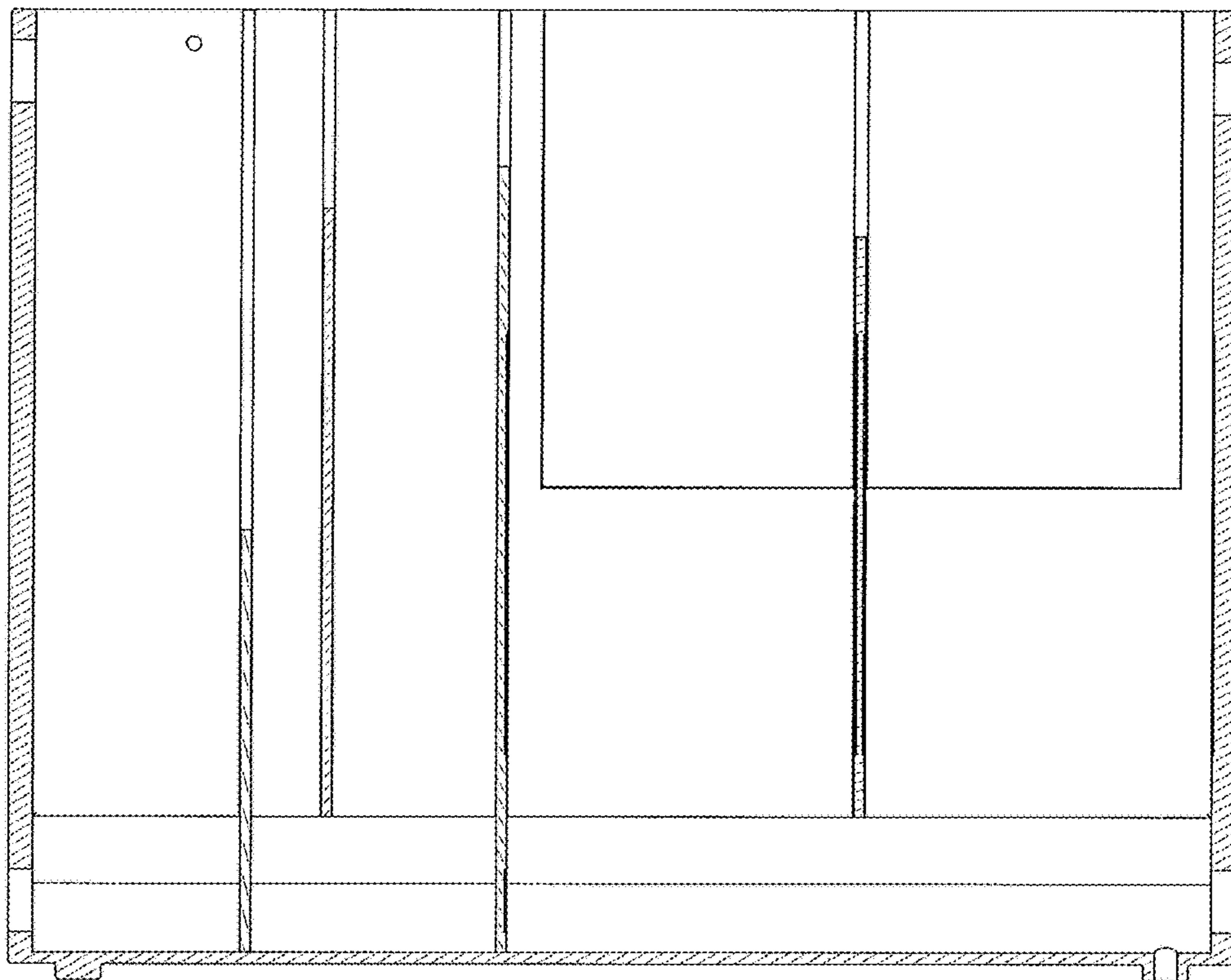


FIGURE 8

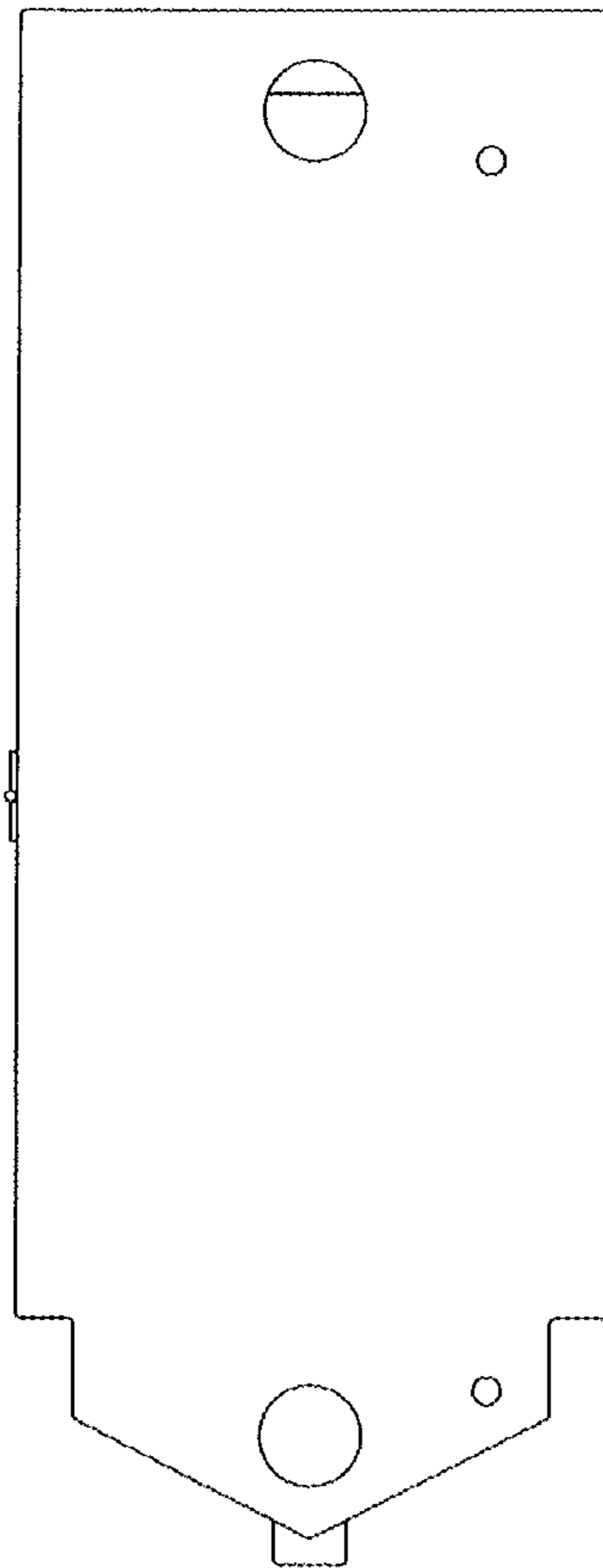


FIGURE 9

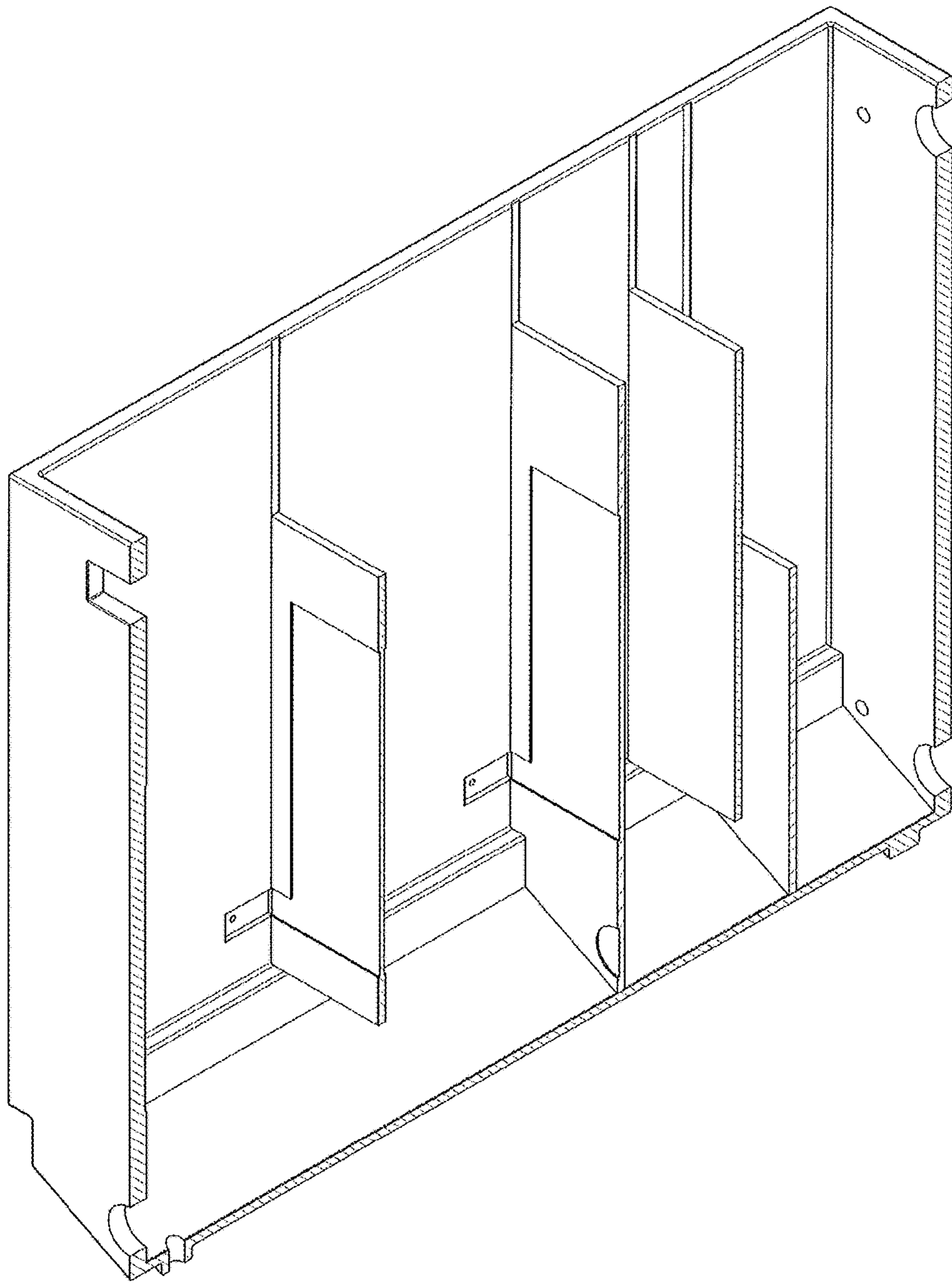


FIGURE 10

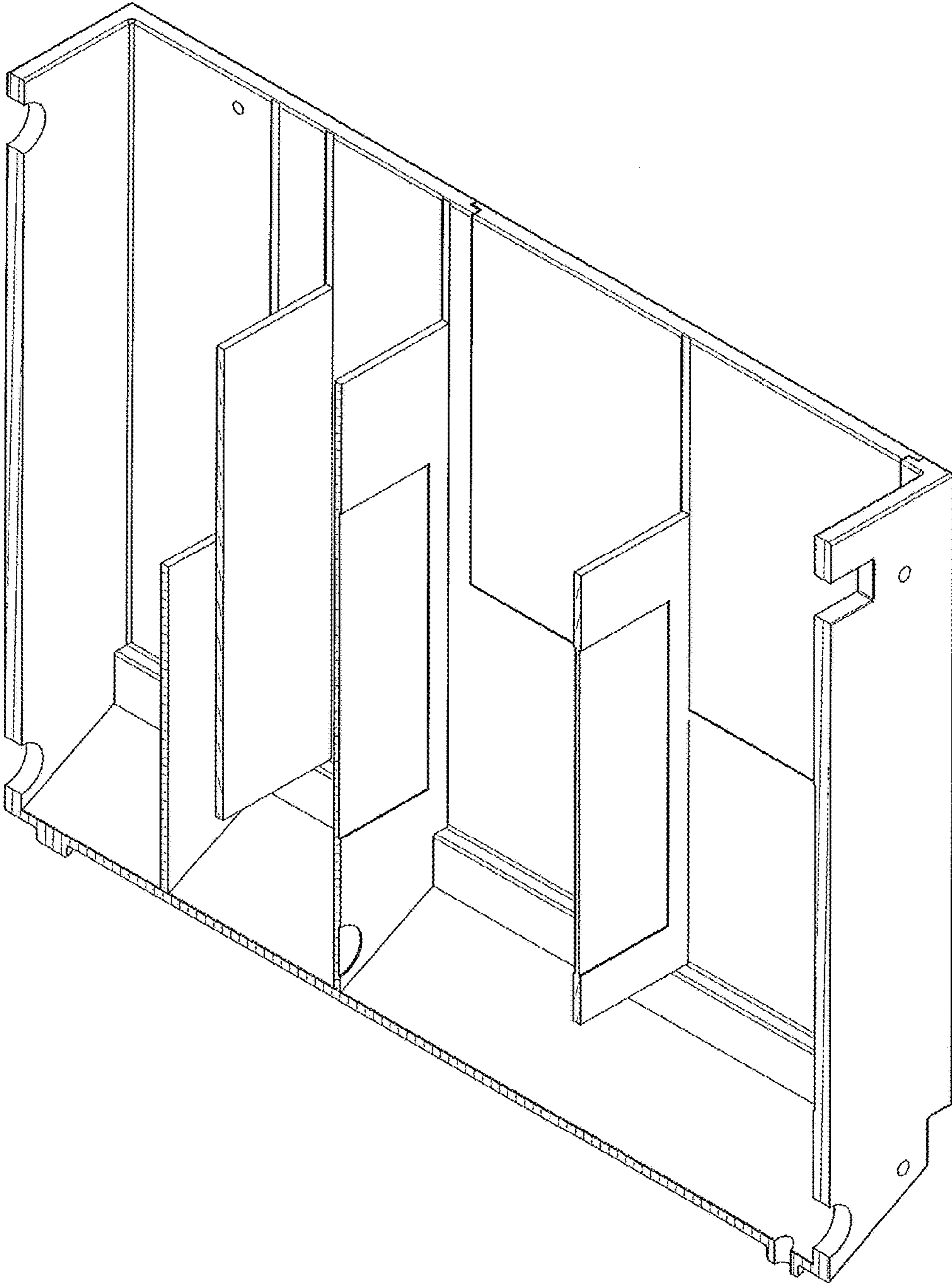


FIGURE 11

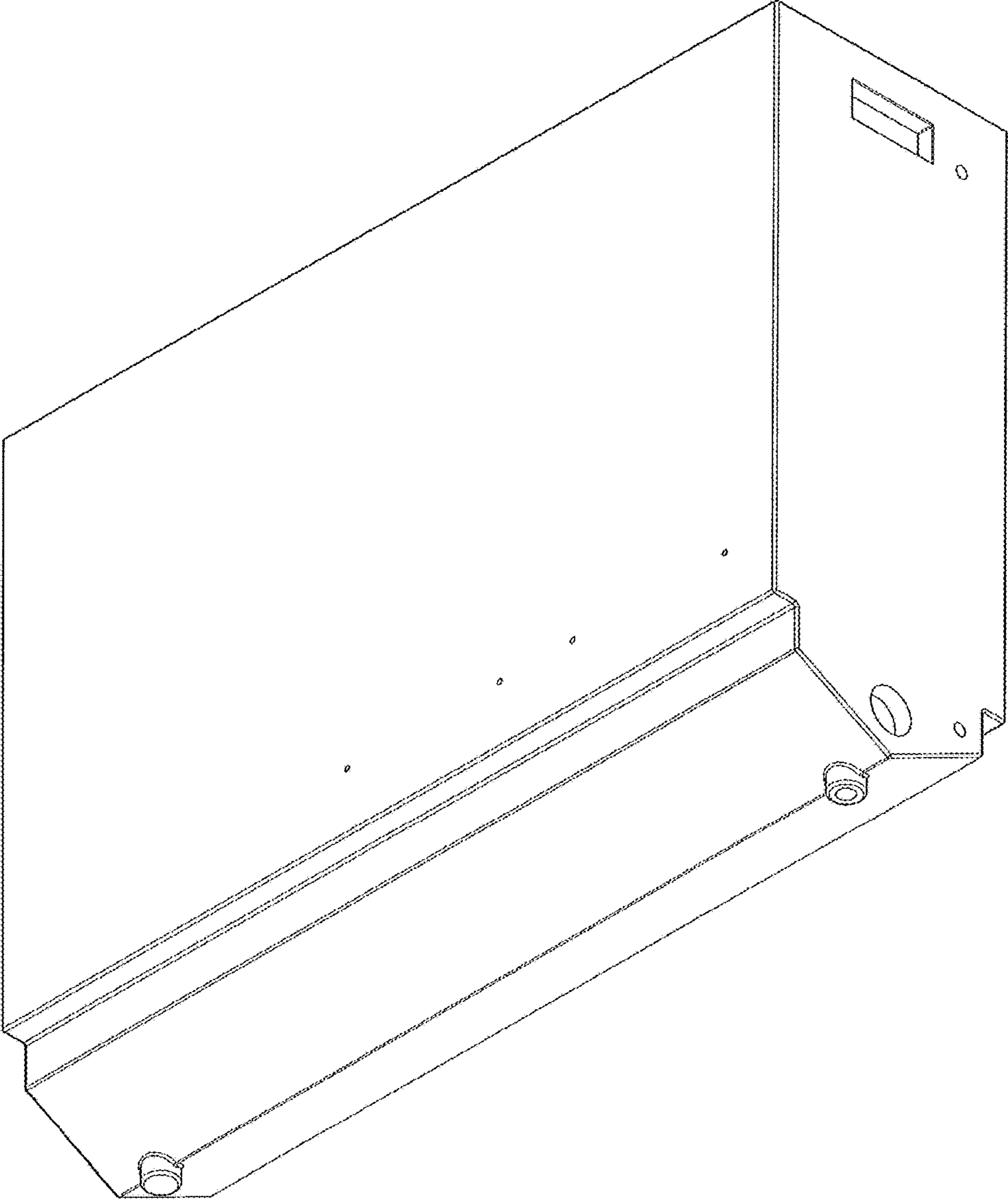


FIGURE 12

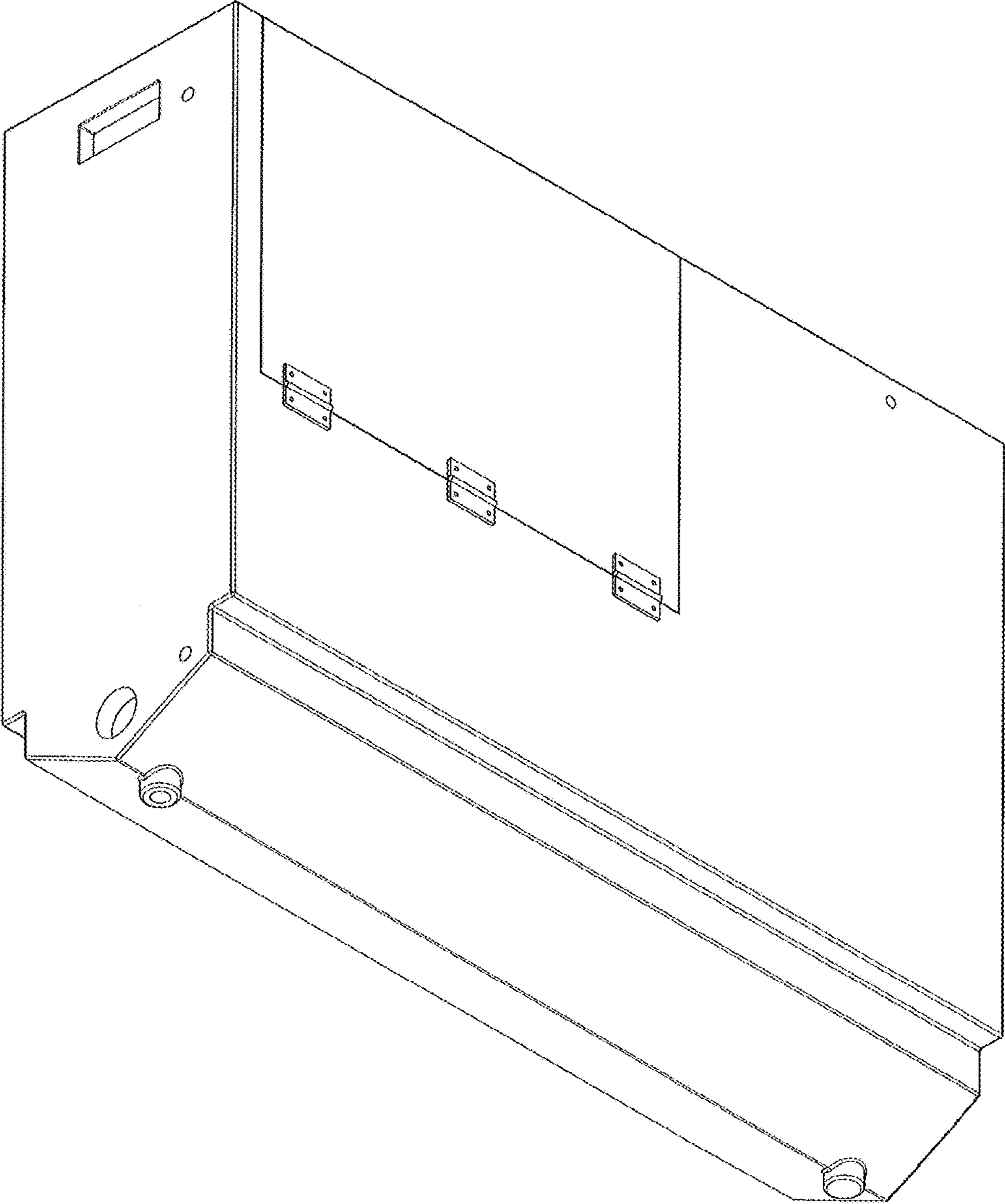


FIGURE 13

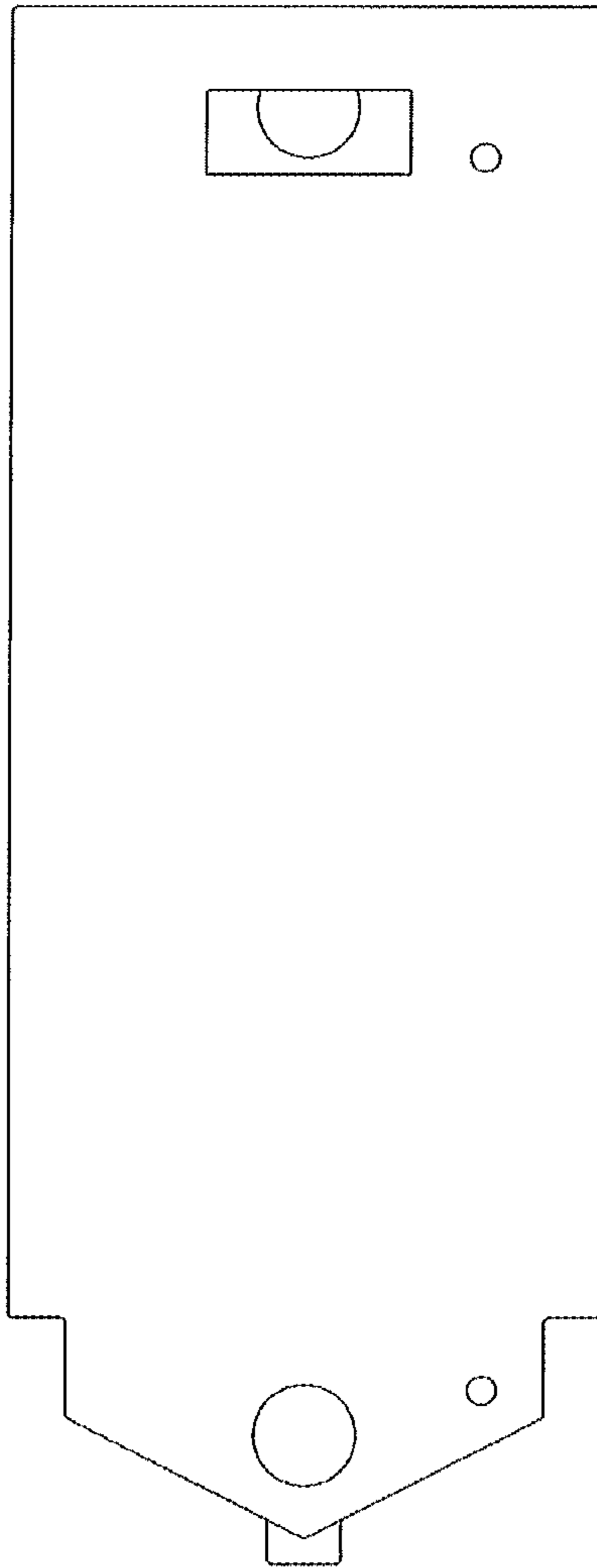


FIGURE 14

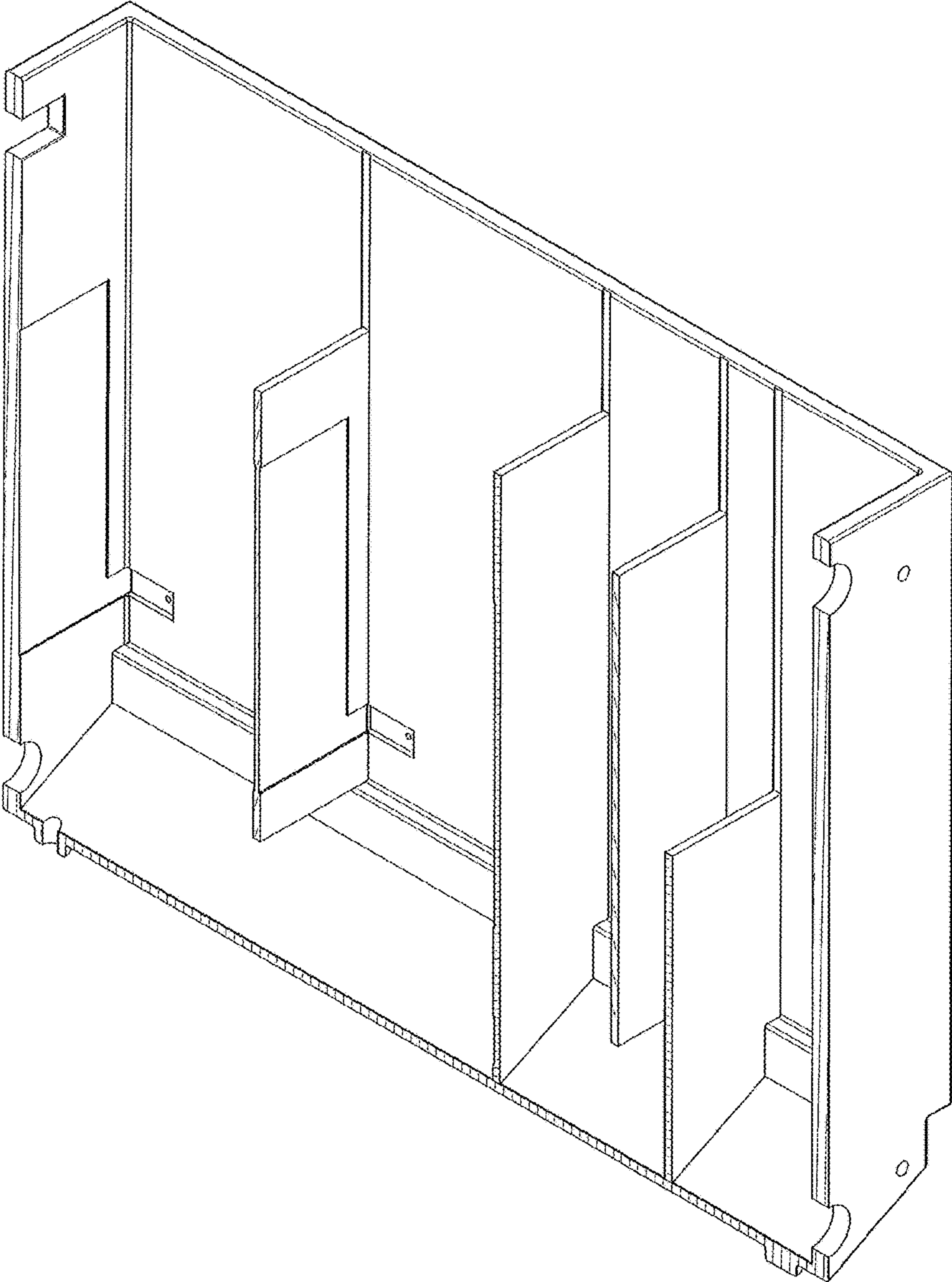


FIGURE 15